



US00D920135S

(12) **United States Design Patent** (10) **Patent No.:** **US D920,135 S**
Koyama et al. (45) **Date of Patent:** **** May 25, 2021**

(54) **WATCHCASE**
(71) Applicant: **Citizen Watch Co., Ltd.**, Nishitokyo (JP)

D563,244 S * 3/2008 Wei D10/38
D705,084 S * 5/2014 Emmenegger D10/32
D724,961 S 3/2015 Vaptzarof
(Continued)

(72) Inventors: **Tomoki Koyama**, Tokyo (JP); **Tom Cheng**, Hong Kong (HK)

OTHER PUBLICATIONS

Drive Citizen | citizenwatch.com; no posting date, watch introduced Dec. 2019 [online], © 2021 Citizen Watch Company of America, Inc. [retrieved Jan. 8, 2021] from Internet: <https://www.citizenwatch.com/us/en/product/BJ6530-54L.html#q=Drive&start=91&sz=48> (Year: 2019).*

(73) Assignee: **Citizen Watch Co., Ltd.**, Tokyo (JP)

(**) Term: **15 Years**

Primary Examiner — Katherine Glennon

(21) Appl. No.: **29/715,240**

(74) *Attorney, Agent, or Firm* — RatnerPrestia

(22) Filed: **Nov. 29, 2019**

(51) **LOC (13) Cl.** **10-02**

(57) **CLAIM**

(52) **U.S. Cl.**
USPC **D10/38**

The ornamental design for a watchcase, as shown and described.

(58) **Field of Classification Search**
USPC ... D10/30–39, 65, 70, 97–98, 102, 121–124, D10/126–128, 131–132; D14/344; D24/167, 186
CPC G04B 19/00; G04B 19/04; G04B 19/046; G04B 19/10; G04B 19/103; G04B 19/106; G04B 19/12; G04B 19/20; G04B 19/202; G04B 19/223; G04B 19/243; G04B 19/283; G04B 37/00; G04B 37/0008; G04B 37/12; G04B 39/002; G04B 39/004; G04B 39/006; G04B 45/0069; G04B 45/0076; G04G 19/06; G04G 21/08; G06F 1/163
See application file for complete search history.

DESCRIPTION

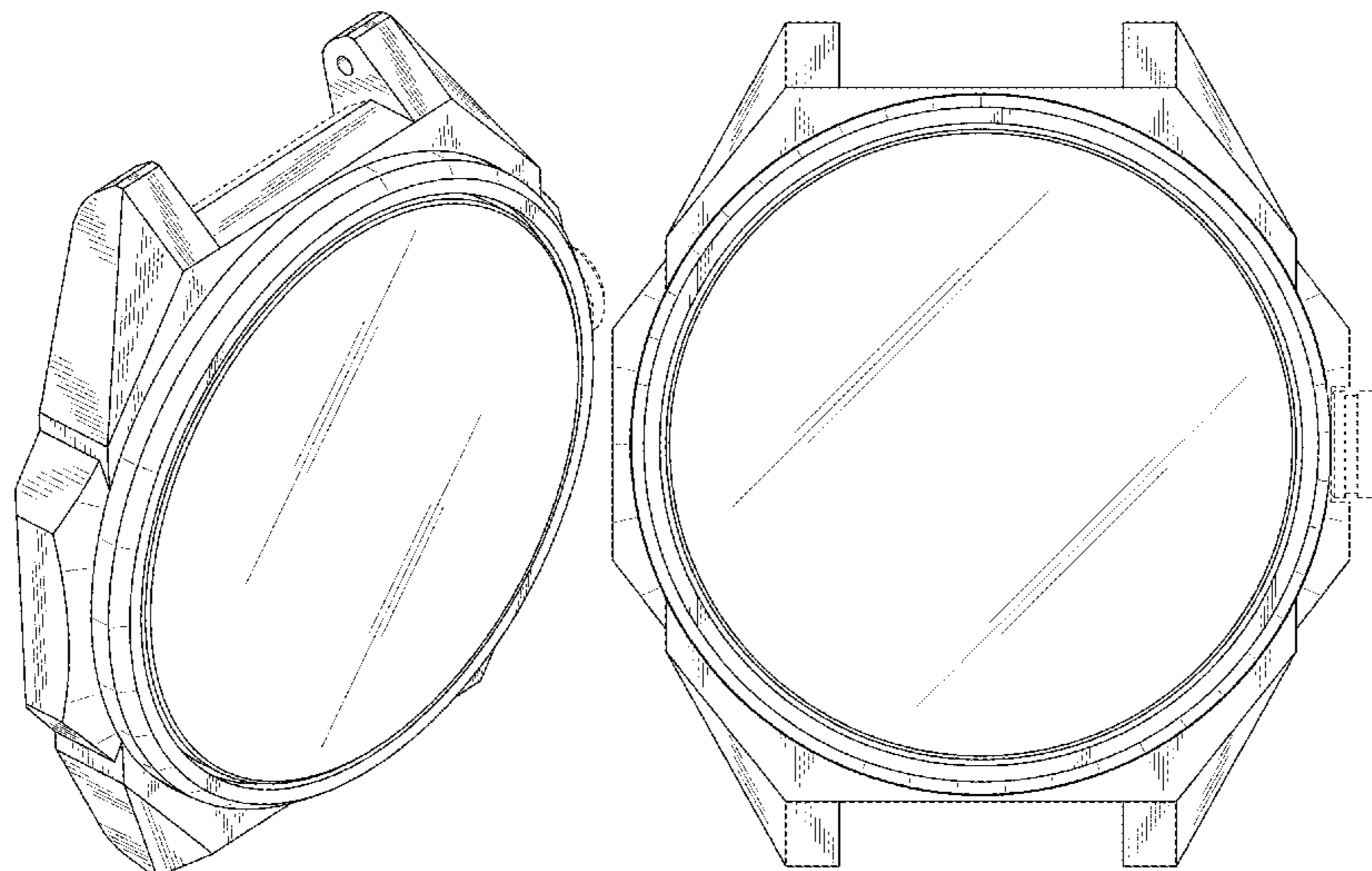
FIG. 1 is a front perspective view of a watchcase showing our new design;
FIG. 2 is a front elevational view thereof;
FIG. 3 is a left side elevational view thereof;
FIG. 4 is a right side elevational view thereof;
FIG. 5 is a rear elevational view thereof;
FIG. 6 is a top plan view thereof;
FIG. 7 is a bottom plan view thereof;
FIG. 8 is an alternate front perspective view thereof;
FIG. 9 is a front perspective view of the second embodiment of a watchcase showing our new design;
FIG. 10 is a front elevational view thereof;
FIG. 11 is a left side elevational view thereof;
FIG. 12 is a right side elevational view thereof;
FIG. 13 is a rear elevational view thereof;
FIG. 14 is a top plan view thereof;
FIG. 15 is a bottom plan view thereof; and,
FIG. 16 is an alternate front perspective view thereof.
The broken lines illustrate portions of the watchcase that form no part of the claimed design.

(56) **References Cited**

U.S. PATENT DOCUMENTS

D255,333 S * 6/1980 Sulek D10/38
D287,470 S * 12/1986 Houlihan D10/30
D386,423 S * 11/1997 Sang D10/30
D440,162 S * 4/2001 McKenzie D10/31
D479,135 S * 9/2003 Emmenegger D10/30
D536,994 S * 2/2007 Sugisawa D10/31
D536,997 S * 2/2007 Asakawa D10/38
D537,367 S * 2/2007 Oshita D10/31

1 Claim, 12 Drawing Sheets



(56)

References Cited

U.S. PATENT DOCUMENTS

D737,151 S *	8/2015	Alward	D10/31
D748,995 S	2/2016	Babcock	
D781,723 S *	3/2017	Seals	D10/38
D784,166 S	4/2017	Kishino	
D817,952 S *	5/2018	Choi	D14/344
D831,507 S *	10/2018	Sasaki	D10/30
D853,252 S *	7/2019	Haugen	D10/39
D854,947 S	7/2019	Ciobanu	

* cited by examiner

FIG. 1

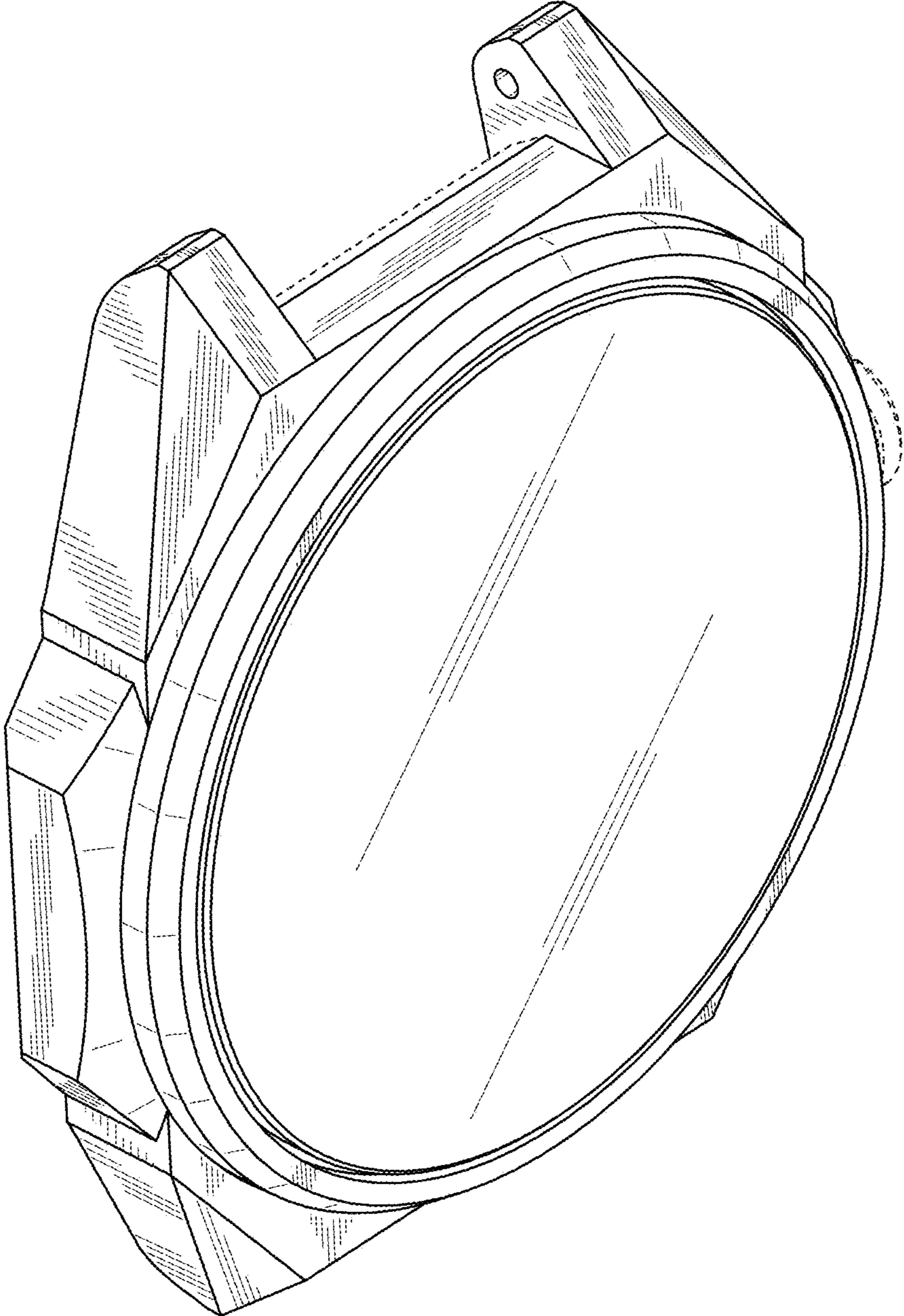


FIG. 2

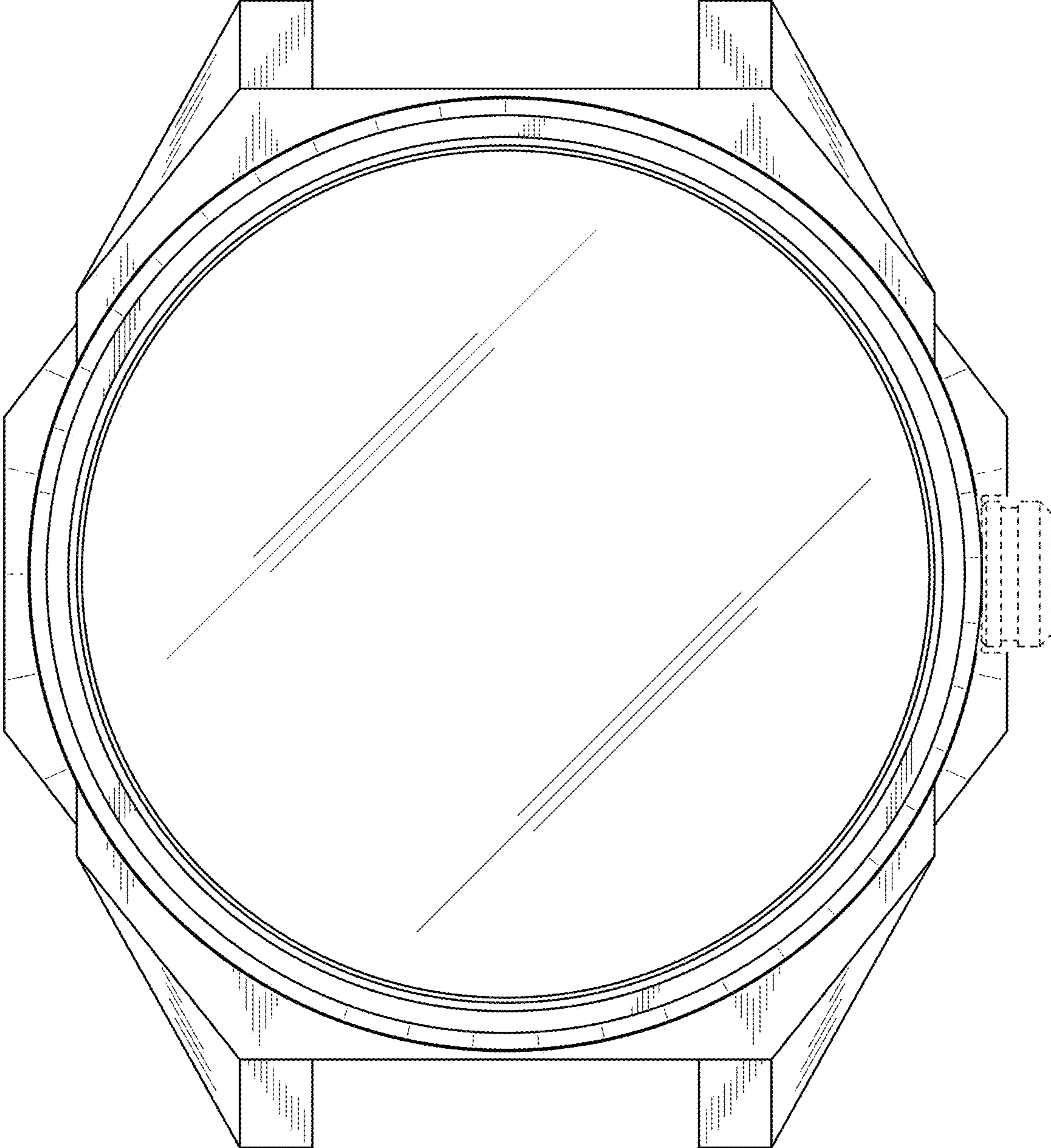


FIG. 3

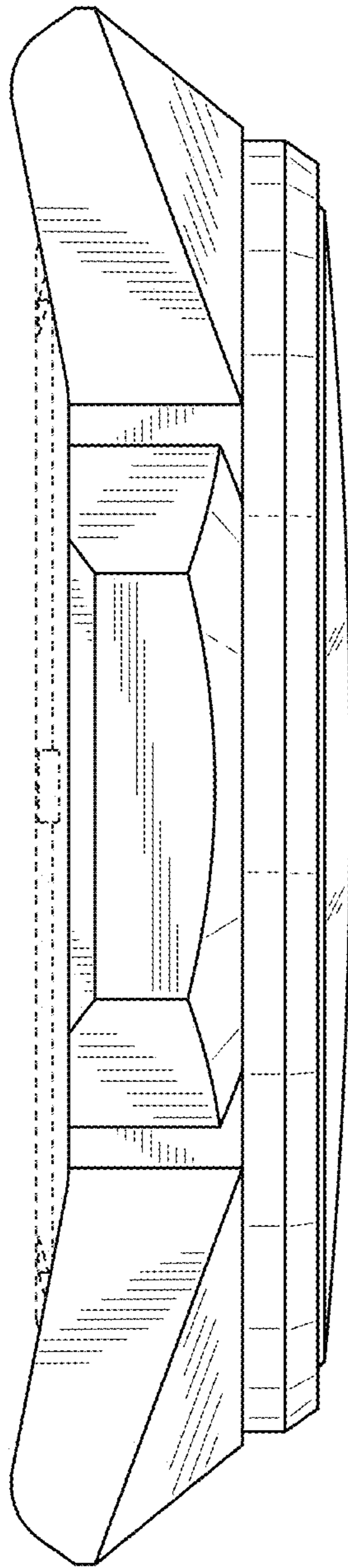


FIG. 4

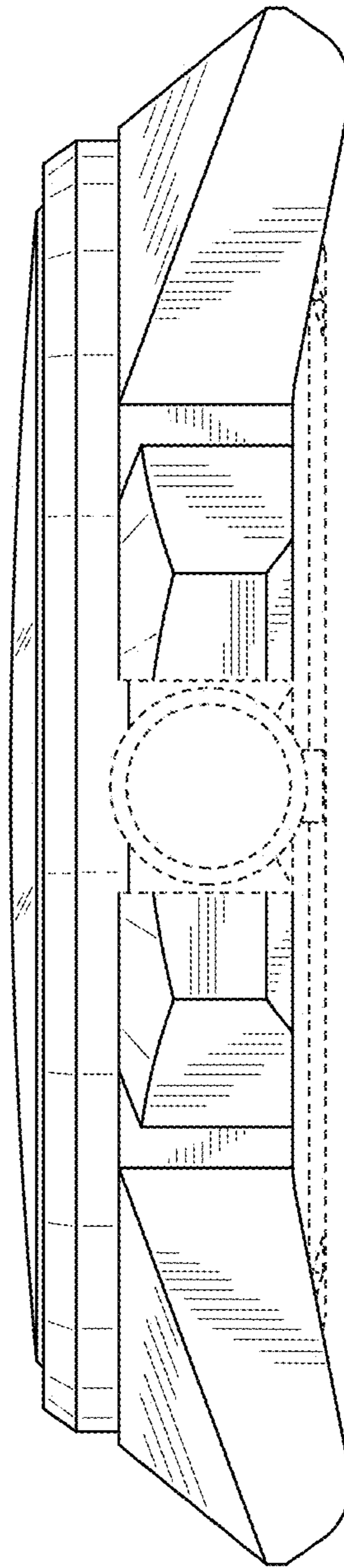


FIG. 5

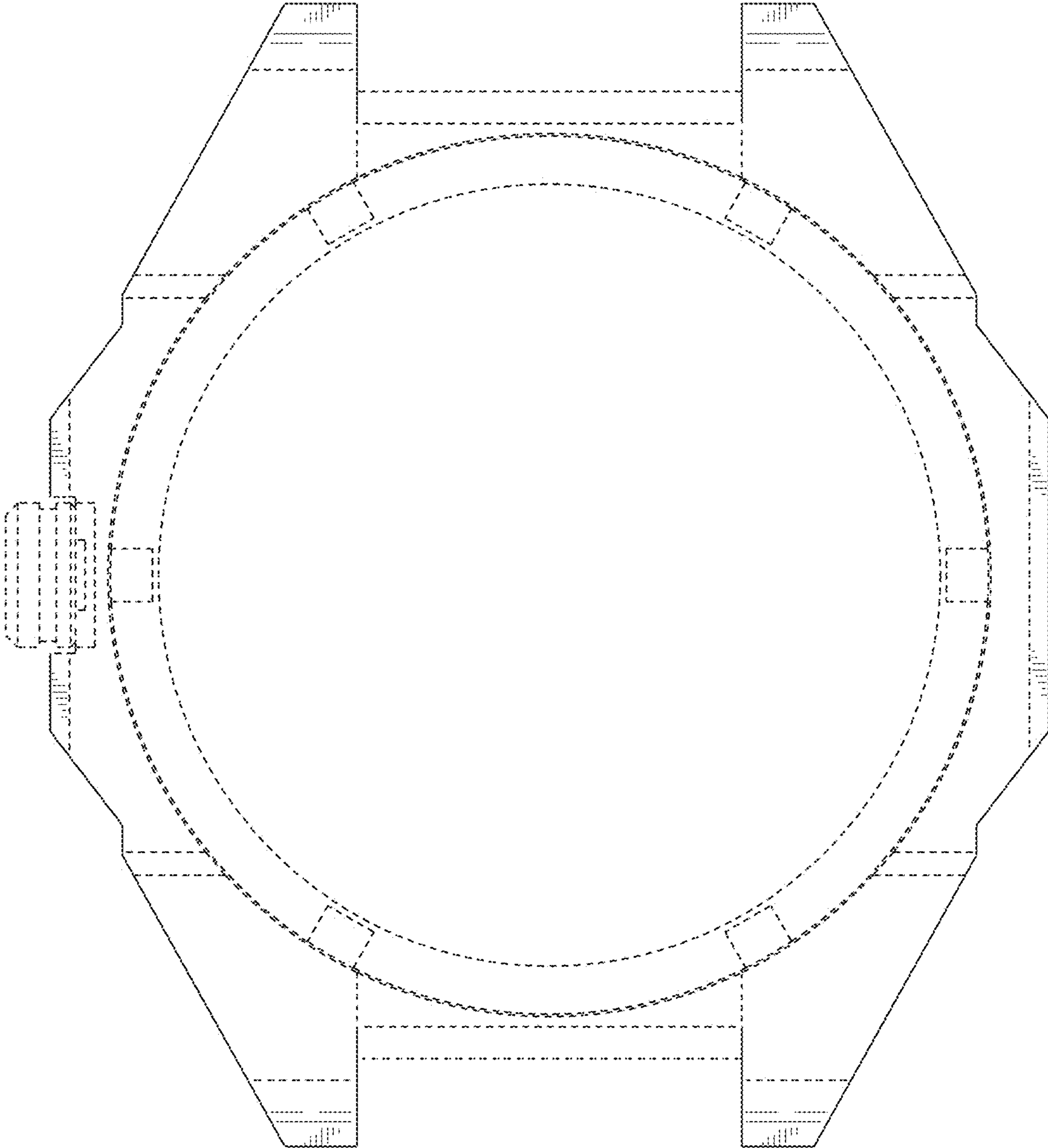


FIG. 6

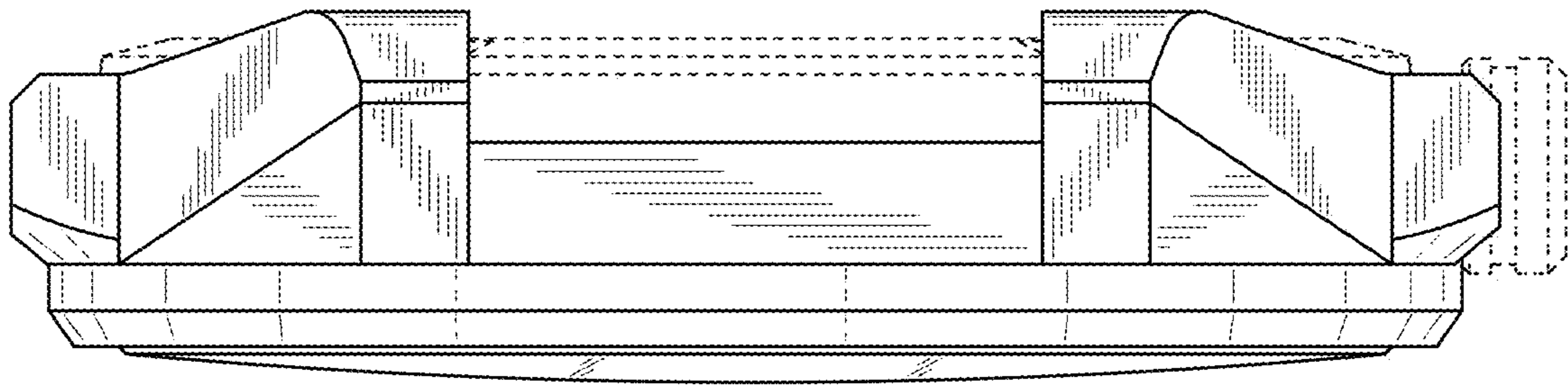


FIG. 7

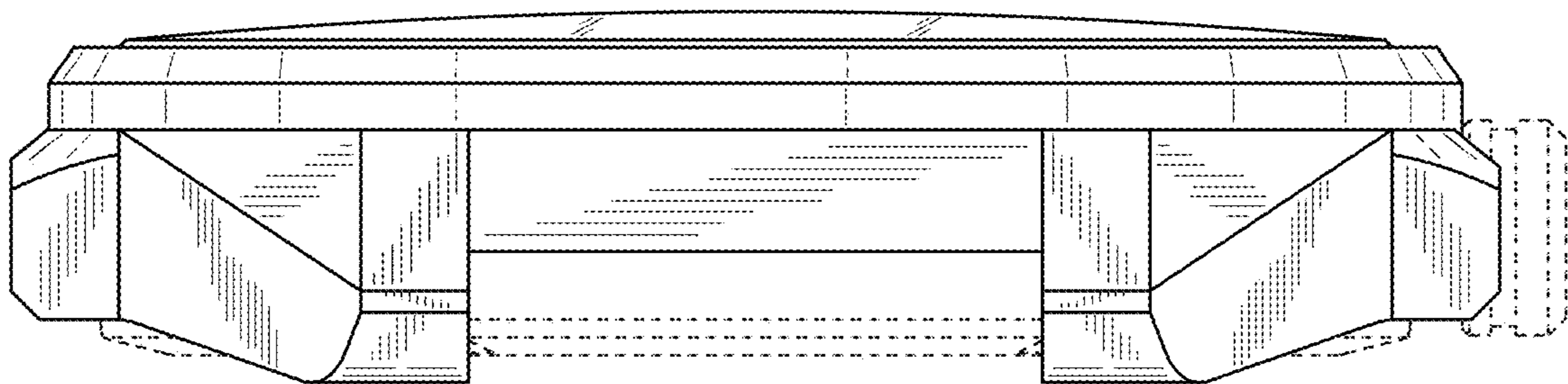


FIG. 8

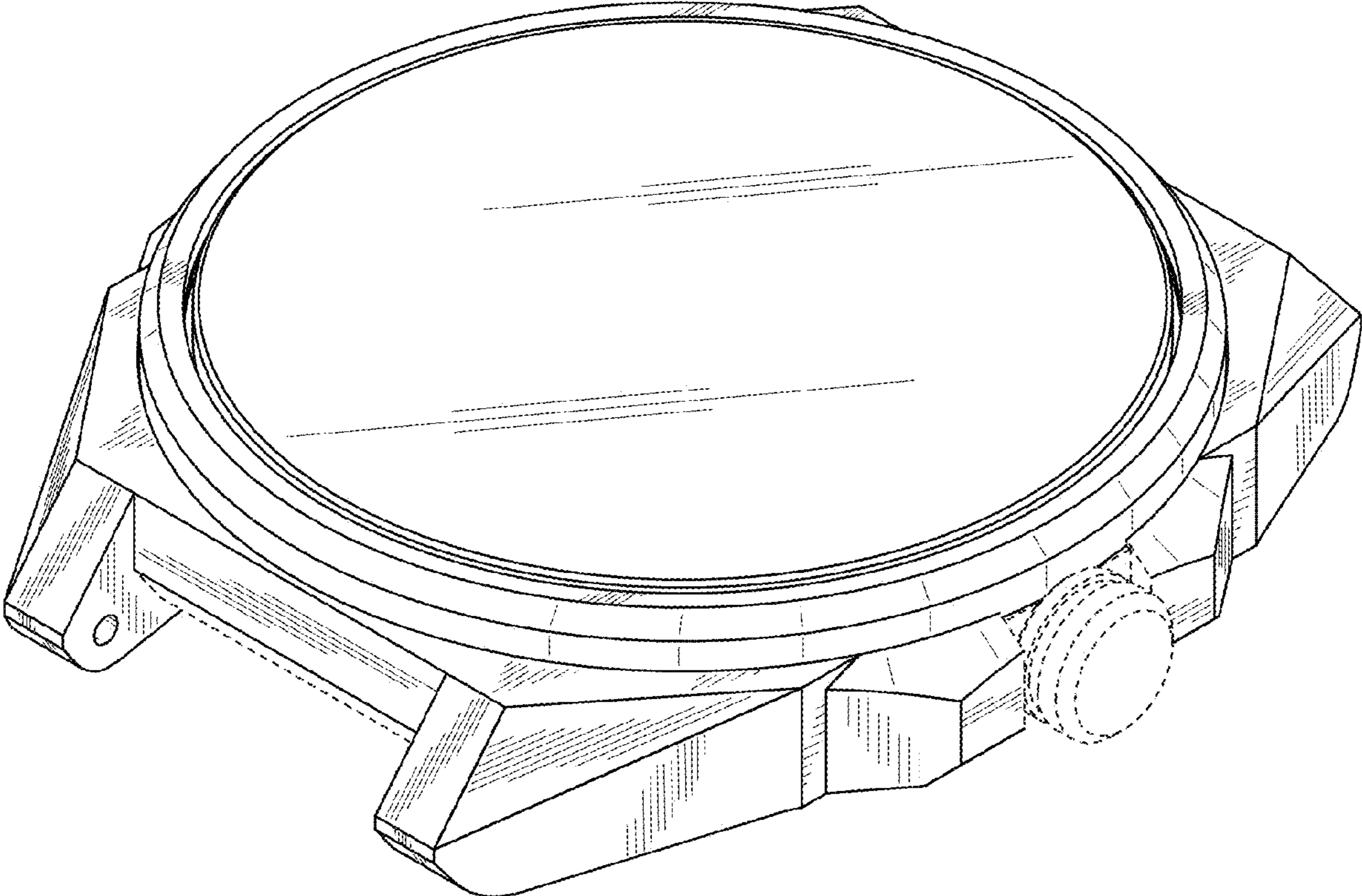


FIG. 9

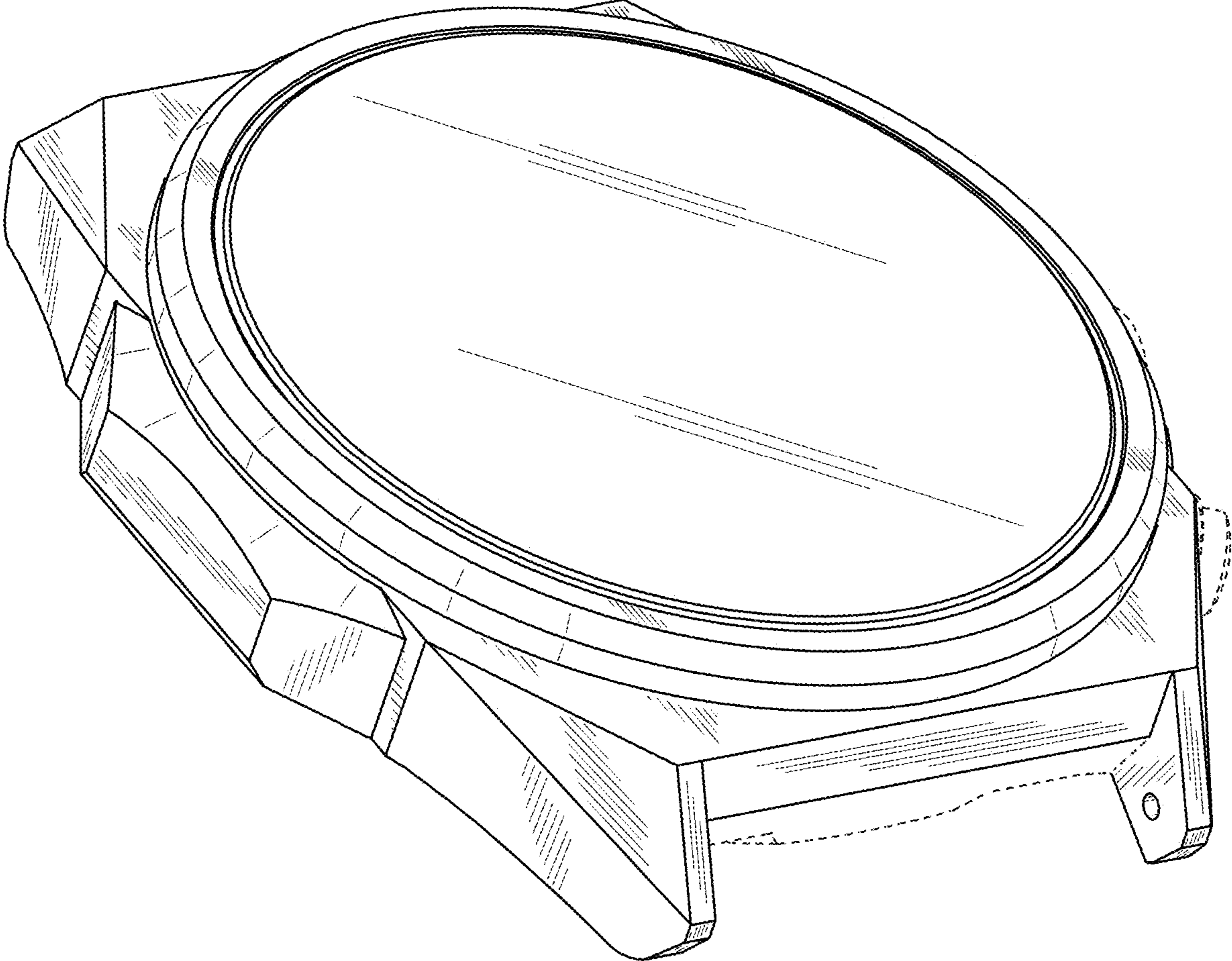


FIG. 10

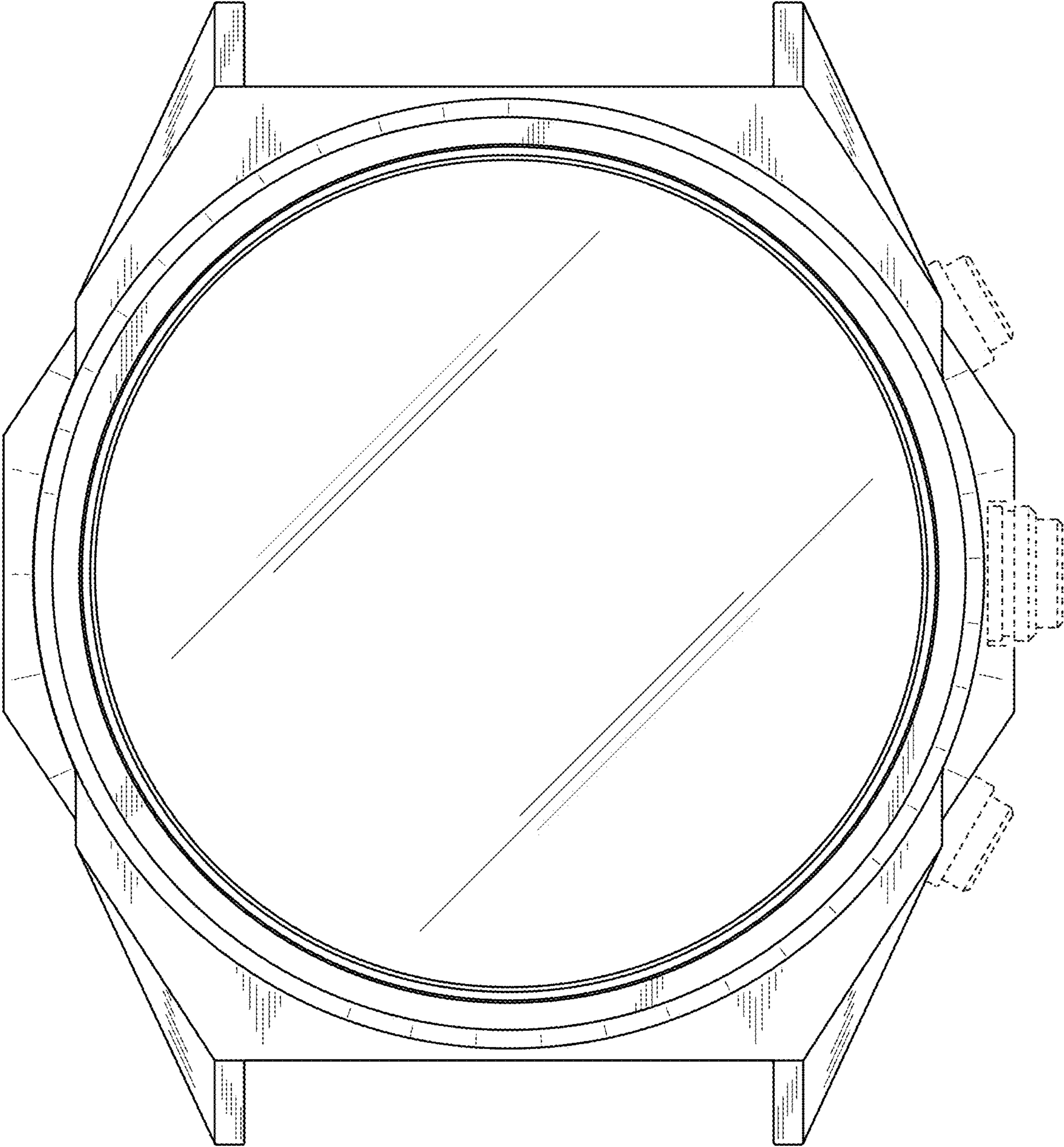


FIG. 11

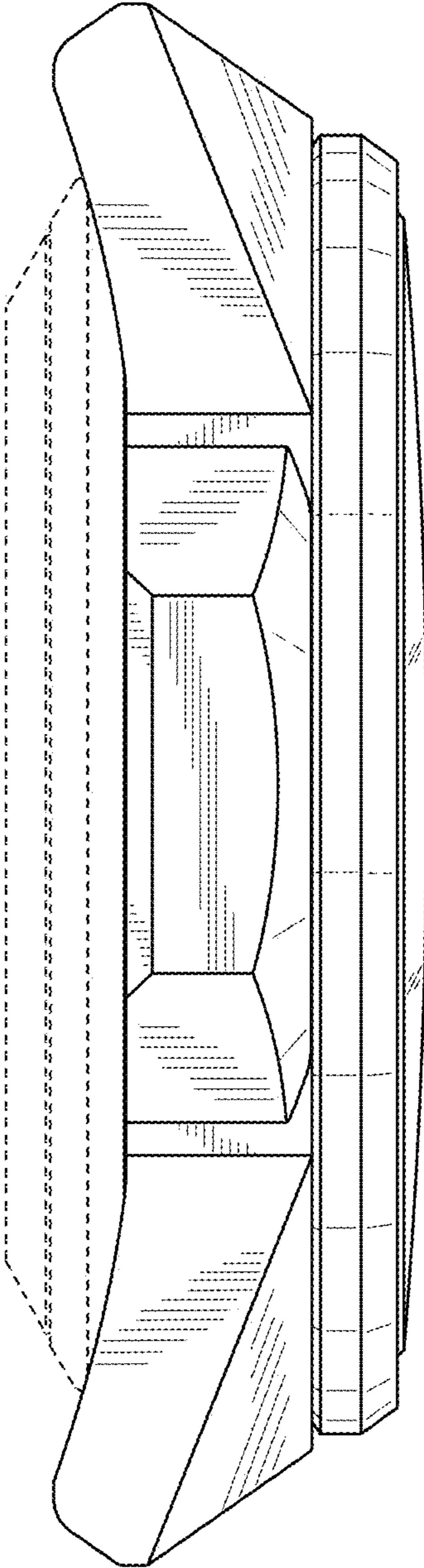


FIG. 12

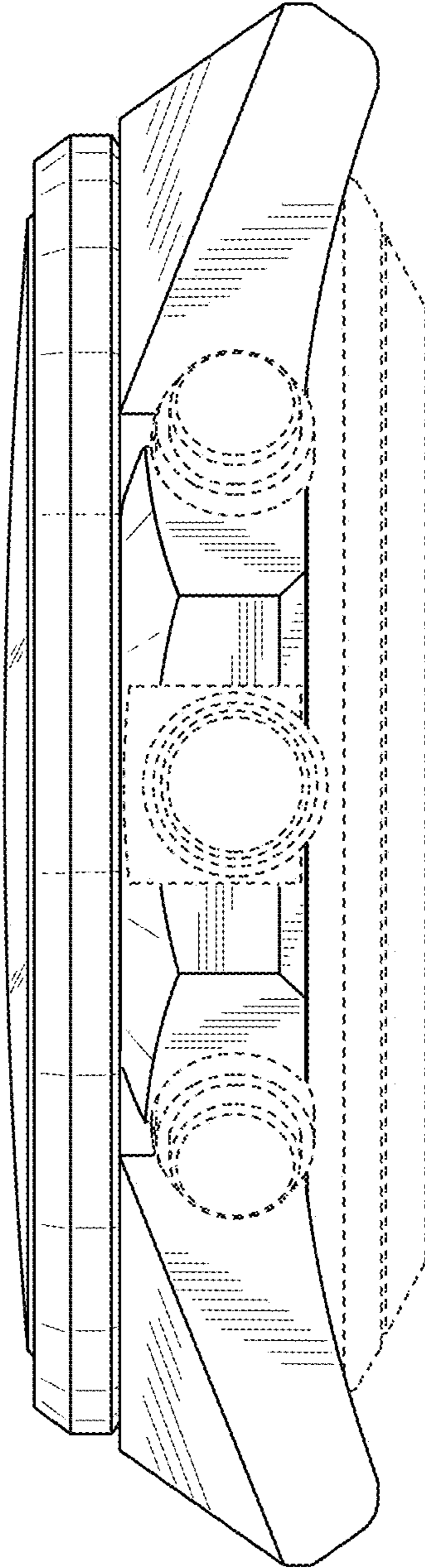


FIG. 13

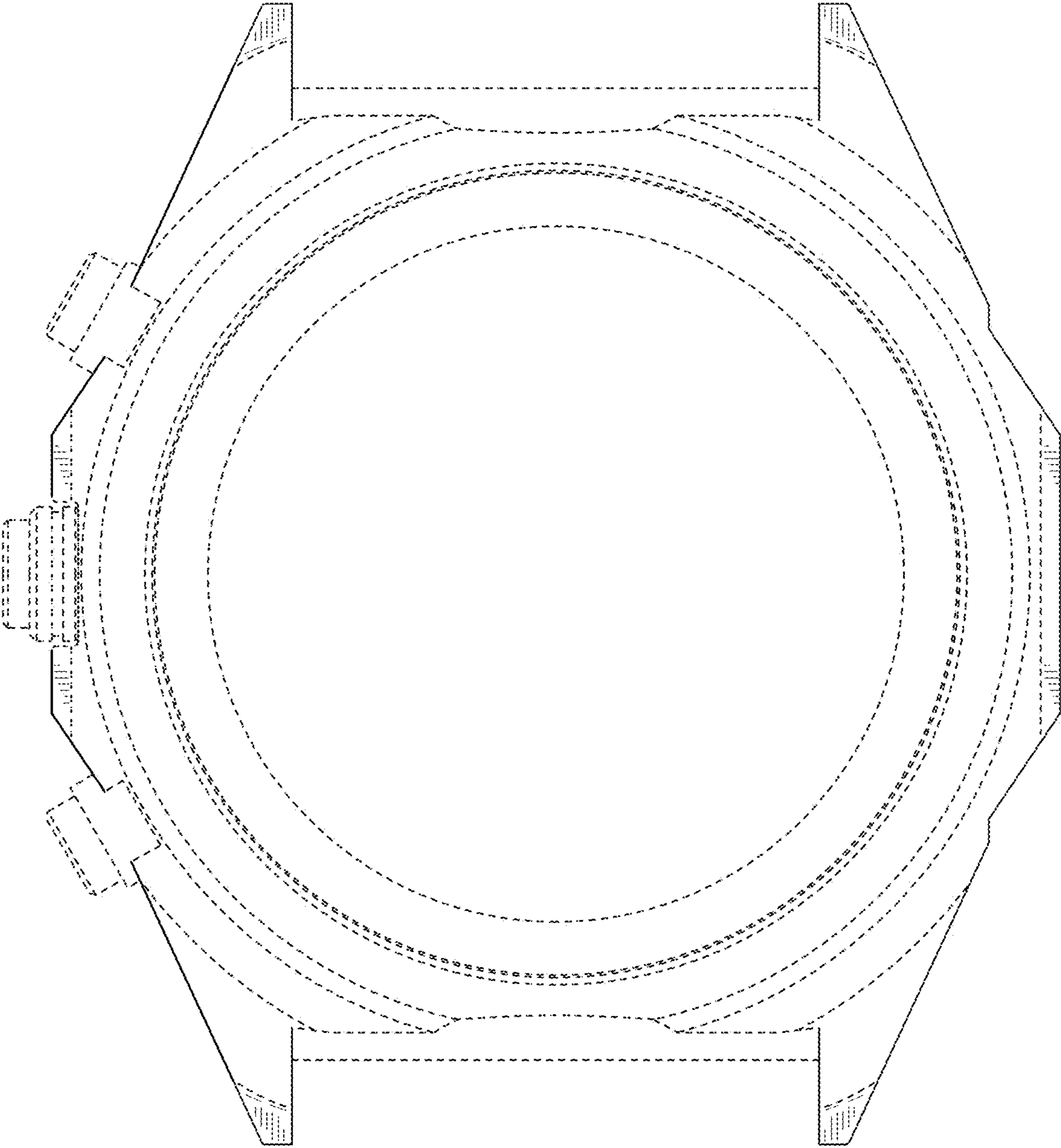


FIG. 14

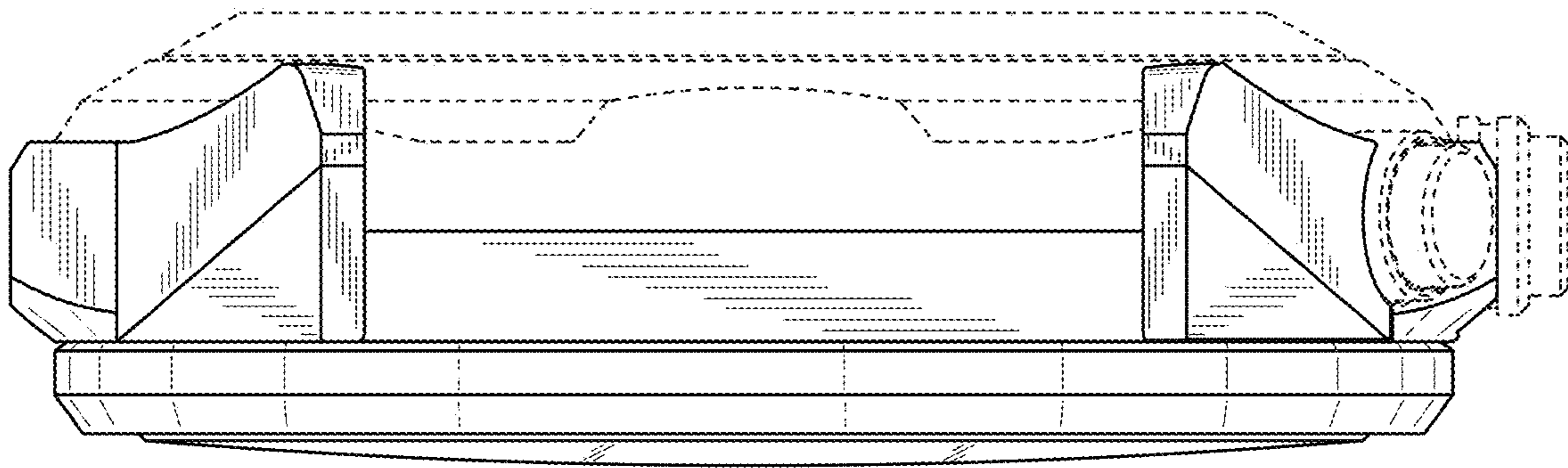


FIG. 15

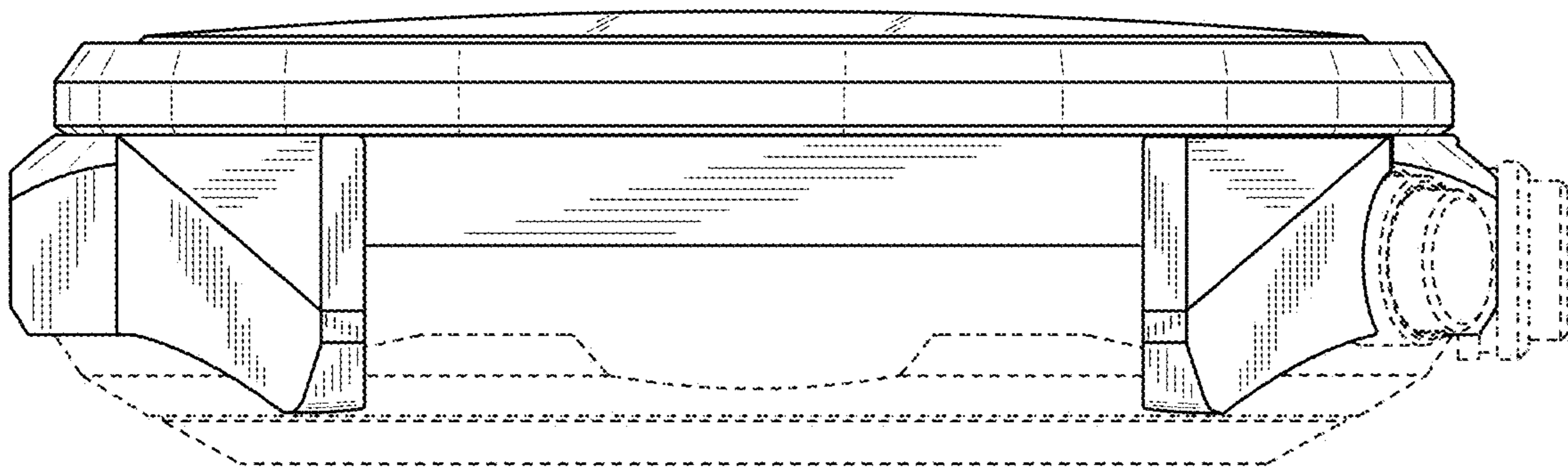


FIG. 16

