



US00D920133S

(12) **United States Design Patent**
Jackson

(10) **Patent No.:** **US D920,133 S**
(45) **Date of Patent:** **** May 25, 2021**

(54) **COMBINATION CLOCK WITH CALENDAR DISPLAY**

(71) Applicant: **Loretta Jackson**, Houston, TX (US)

(72) Inventor: **Loretta Jackson**, Houston, TX (US)

(**) Term: **15 Years**

(21) Appl. No.: **29/719,671**

(22) Filed: **Jan. 7, 2020**

(51) **LOC (13) Cl.** **10-02**

(52) **U.S. Cl.**
USPC **D10/3**

(58) **Field of Classification Search**
USPC D10/1-7, 14-15, 24-27, 52, 53, 57;
D14/171-172, 188-189, 371, 374-377,
D14/448, 451, 452, 485-495; D6/308
CPC G04C 17/00; G04C 17/0016; G04C 19/00;
G04C 19/02; G04C 21/04; G04C 21/06;
G04C 23/00; G04C 23/02; G04B 21/00;
G04B 45/0007; G04B 45/0038; G04B
45/0069; G04G 9/00; G04G 17/08; G04G
17/086; G09G 2380/04; G09G 2380/06;
G09G 2380/16; A47G 1/06; G01W 1/02;
G01W 1/10

See application file for complete search history.

(56) **References Cited**

U.S. PATENT DOCUMENTS

- D411,229 S * 6/1999 McBeth D10/15
- D422,973 S * 4/2000 Imahashi D14/336
- D467,508 S * 12/2002 Kwok D10/15
- D481,641 S * 11/2003 Kibiloski D10/15
- D528,585 S * 9/2006 Ono D18/4.5
- D534,214 S * 12/2006 Marcy D19/113
- D541,185 S * 4/2007 Li D10/62
- D544,800 S * 6/2007 Haupt D10/15
- D545,691 S * 7/2007 Bhavnani D10/15
- D550,103 S * 9/2007 Laituri D10/57
- 7,376,909 B1 5/2008 Coyle

- 7,812,830 B2 10/2010 Wang
- 7,907,476 B2 3/2011 Lee
- D679,610 S * 4/2013 Kang D10/3
- 8,498,181 B1 7/2013 Bath
- D762,644 S * 8/2016 Maffetone D14/388
- D834,428 S * 11/2018 Jiang D10/3
- D837,786 S * 1/2019 Okumura D14/371
- D854,426 S * 7/2019 Cintron D10/24
- D862,250 S * 10/2019 Xie D10/24
- D862,909 S * 10/2019 Zhou D6/308

(Continued)

FOREIGN PATENT DOCUMENTS

EP 2204702 12/2008

Primary Examiner — Katherine Glennon

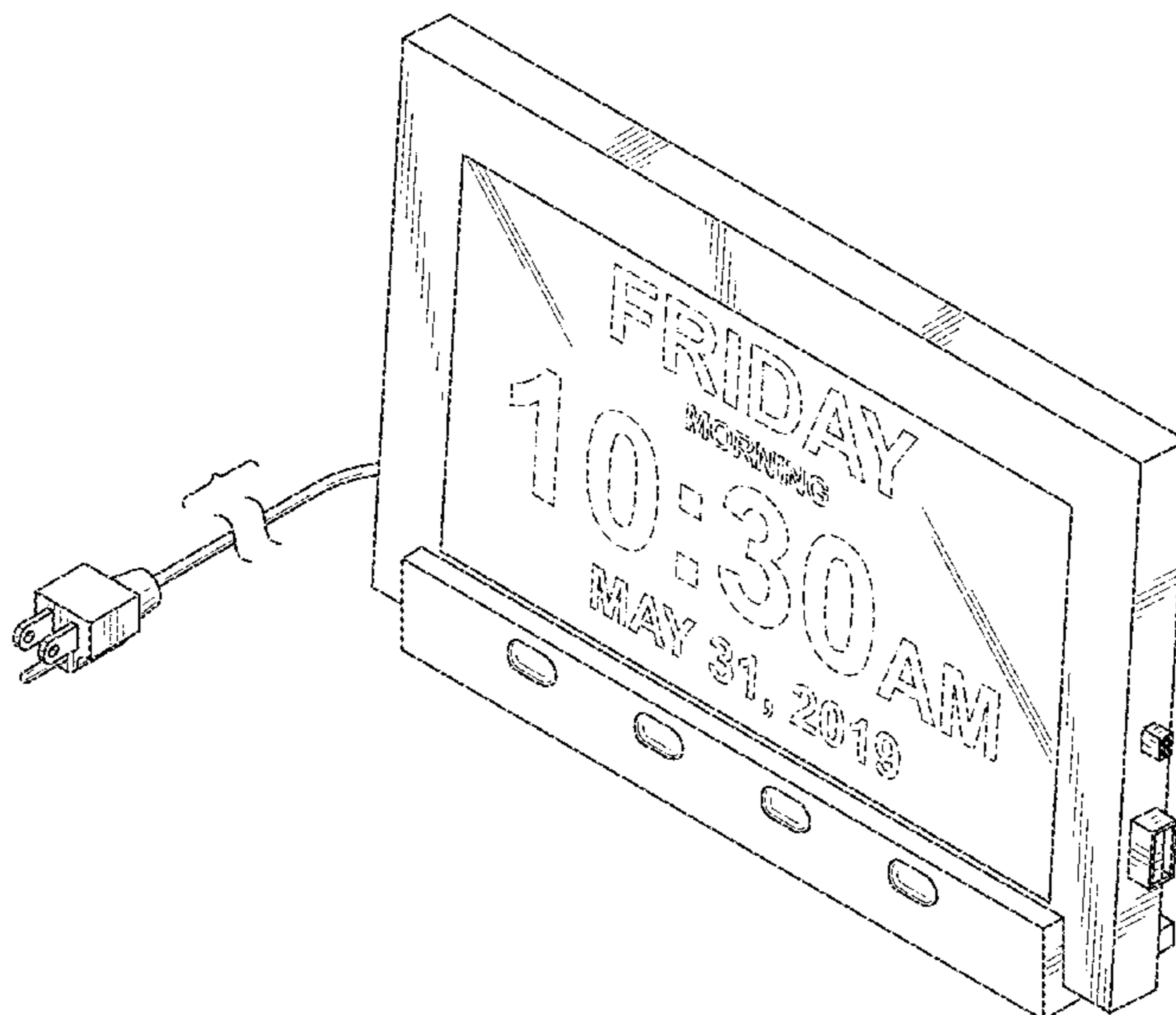
(57) **CLAIM**

The ornamental design for a combination clock with calendar display, as shown and described.

DESCRIPTION

FIG. 1 is a front view of a combination clock with calendar display showing my new design;
 FIG. 2 is a rear view of the combination clock with calendar display;
 FIG. 3 is a right side view of the combination clock with calendar display;
 FIG. 4 is a left side view of the combination clock with calendar display;
 FIG. 5 is a top view of the combination clock with calendar display;
 FIG. 6 is a bottom view of the combination clock with calendar display; and,
 FIG. 7 is a top front side perspective view of the combination clock with calendar display.
 The broken lines in the drawing figures illustrate portions of the article that form no part of the claimed design. In FIGS. 1 through 7, the cord is shown with a symbolic break in its length.

1 Claim, 6 Drawing Sheets



(56)

References Cited

U.S. PATENT DOCUMENTS

D875,095 S * 2/2020 Gan D14/374
D875,567 S * 2/2020 Kim D10/46.1
D878,775 S * 3/2020 Wang D6/308
D884,367 S * 5/2020 Gao D6/308
D888,579 S * 6/2020 Huang D10/3
D893,201 S * 8/2020 Jiang D6/308
2008/0062631 A1* 3/2008 Bhavnani G04G 17/086
361/679.22
2011/0205849 A1 8/2011 Kang
2012/0246998 A1* 10/2012 Vasudeva F21V 33/004
43/114
2013/0170324 A1 7/2013 Tu

* cited by examiner

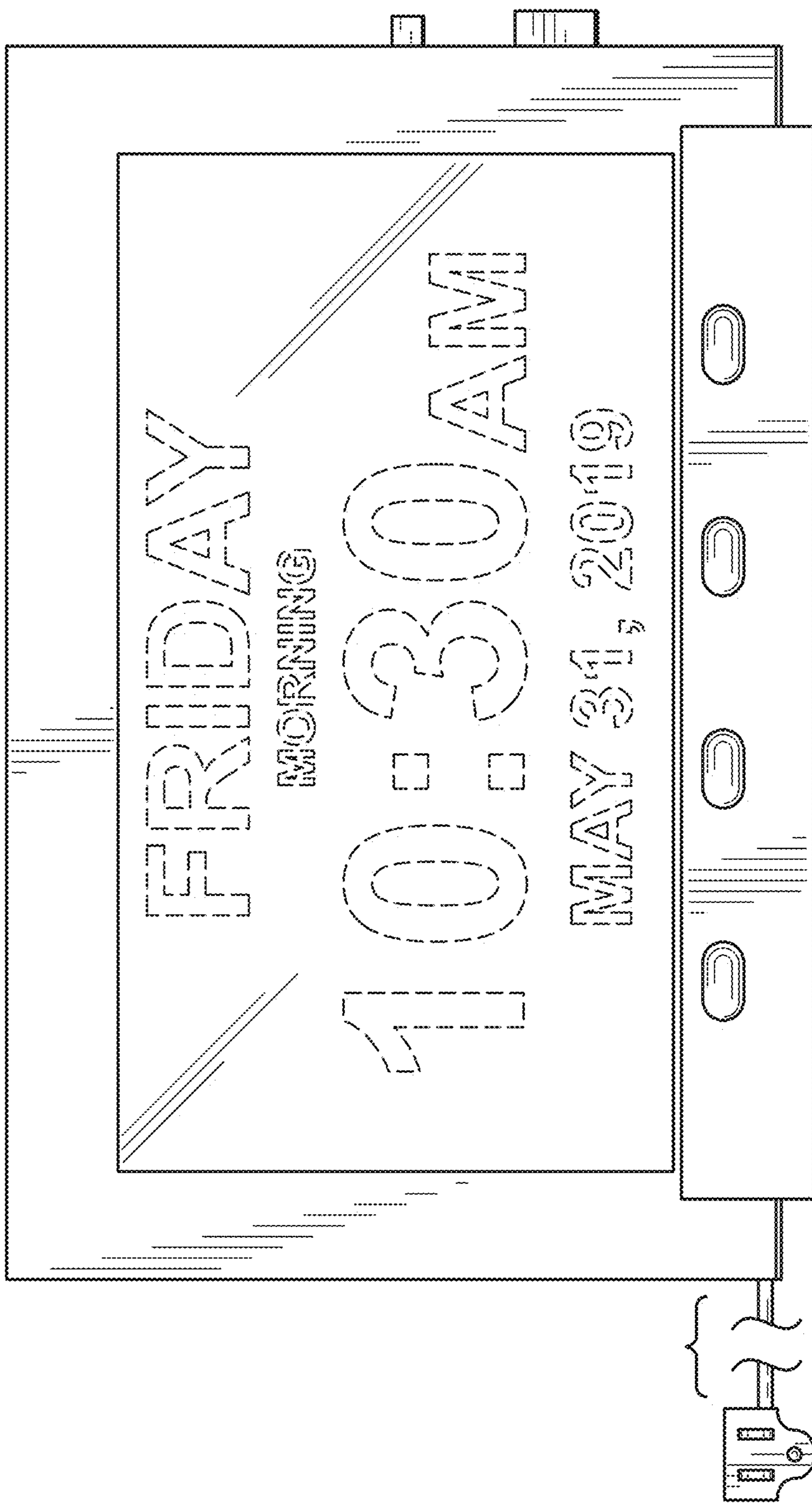


FIG. 1

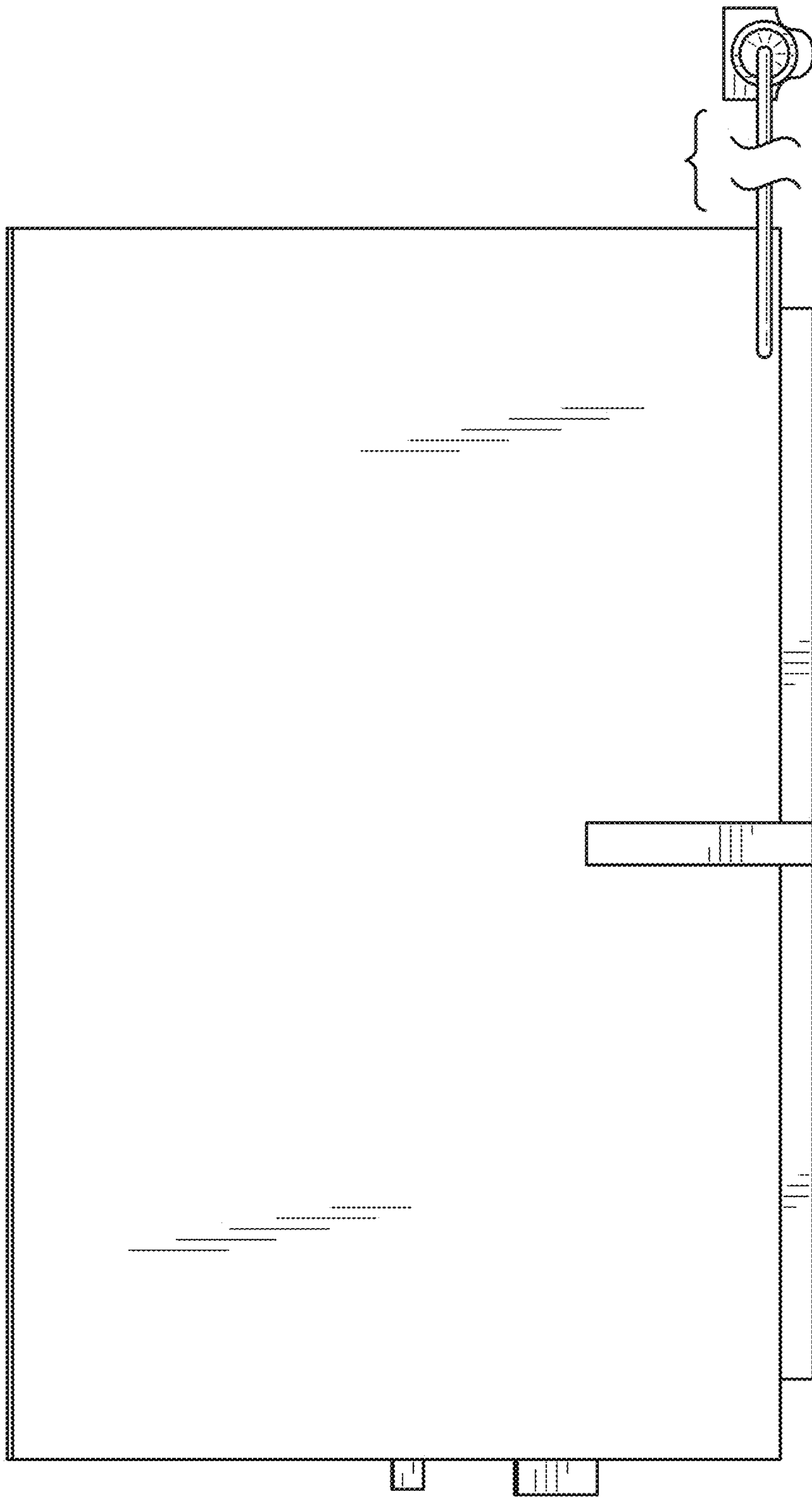


FIG. 2

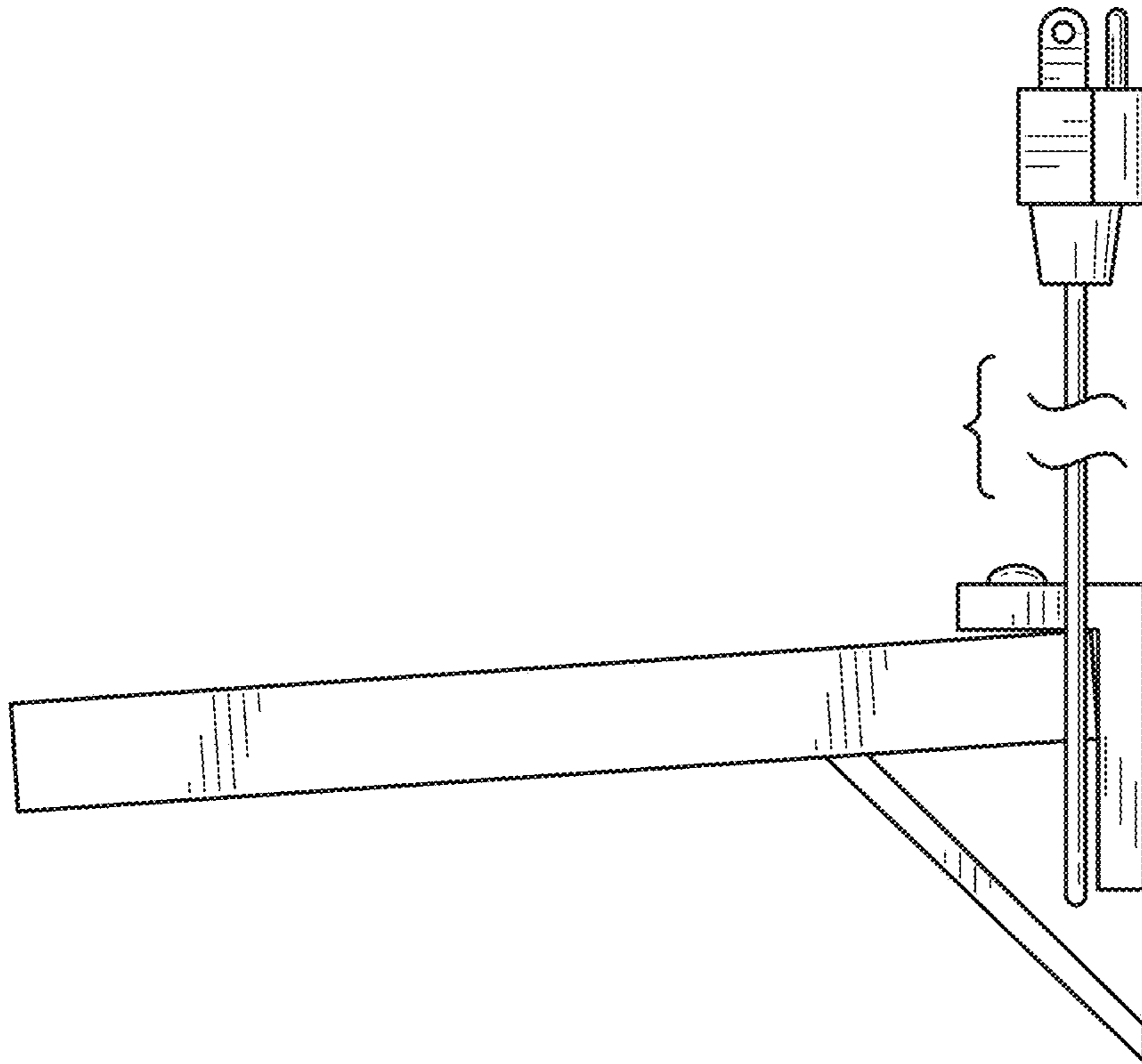


FIG. 3

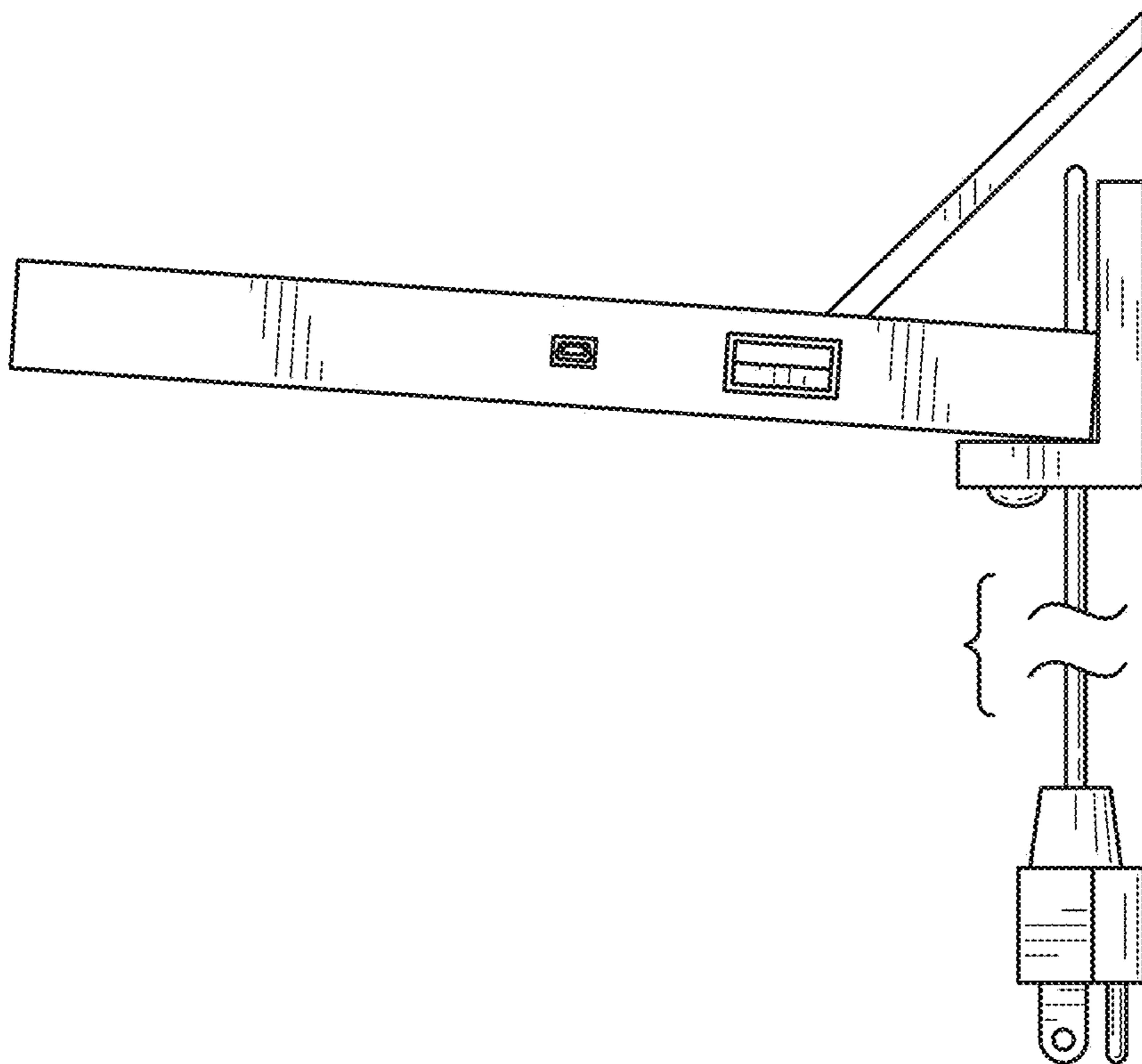


FIG. 4

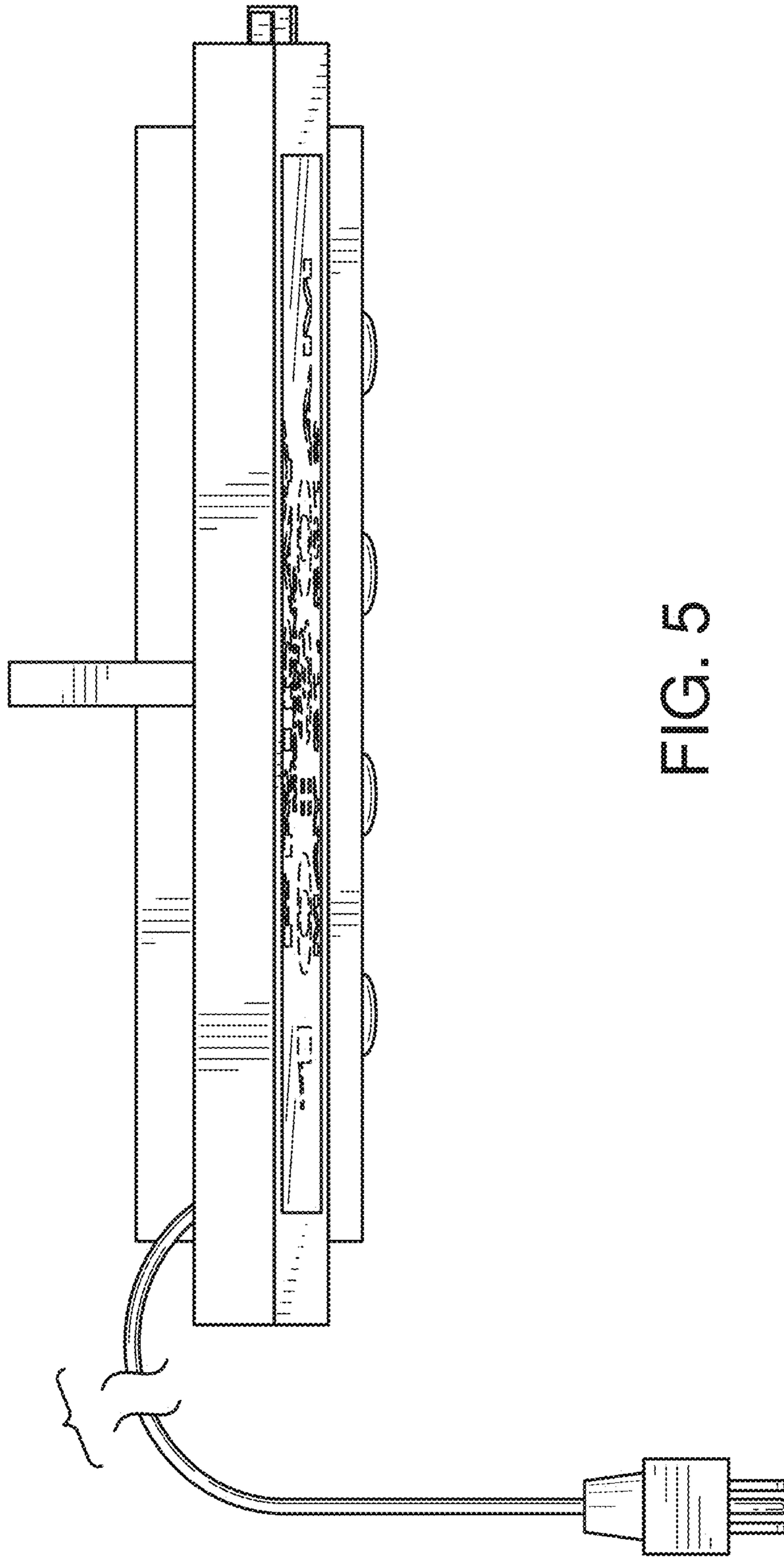


FIG. 5

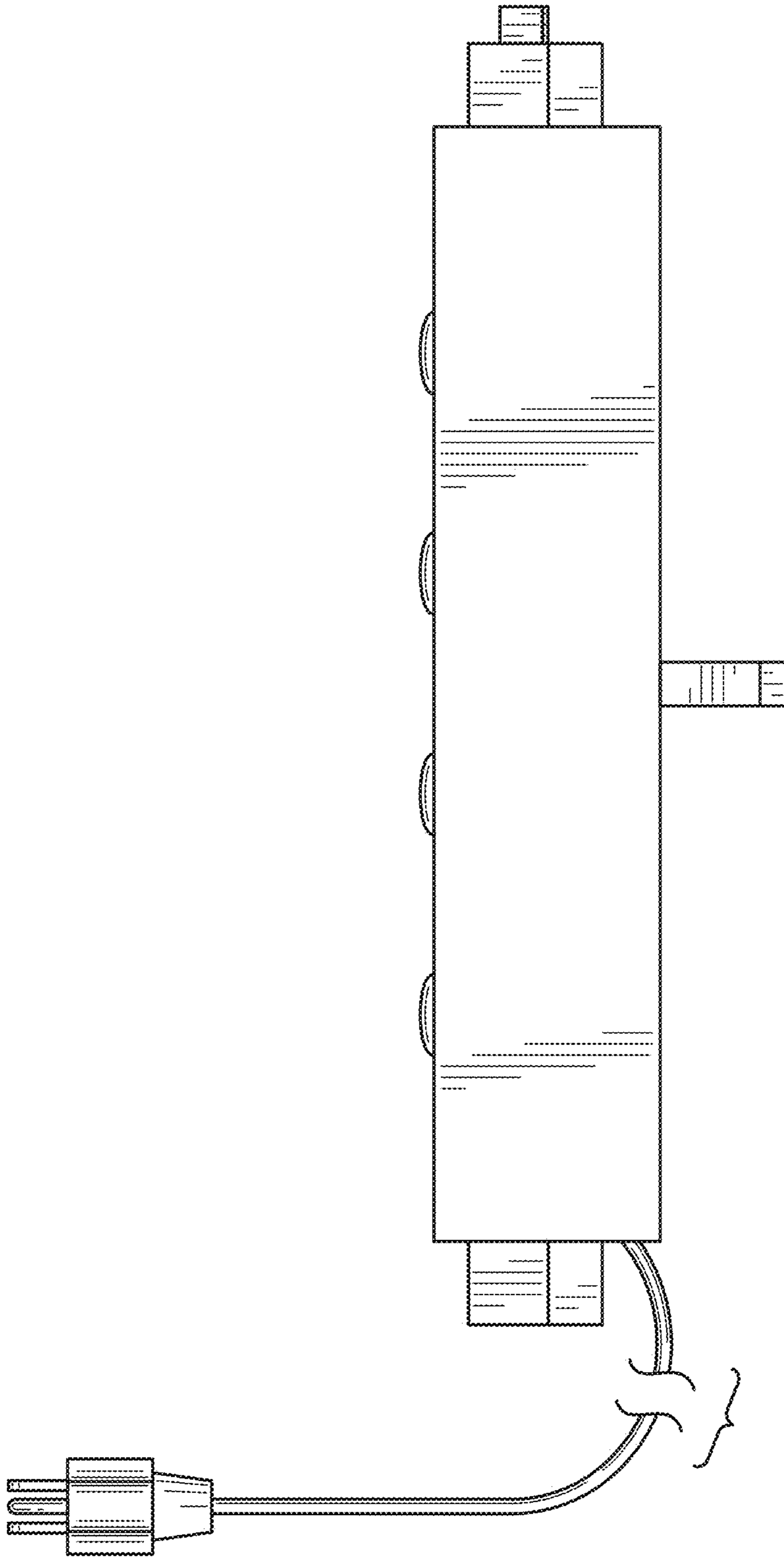


FIG. 6

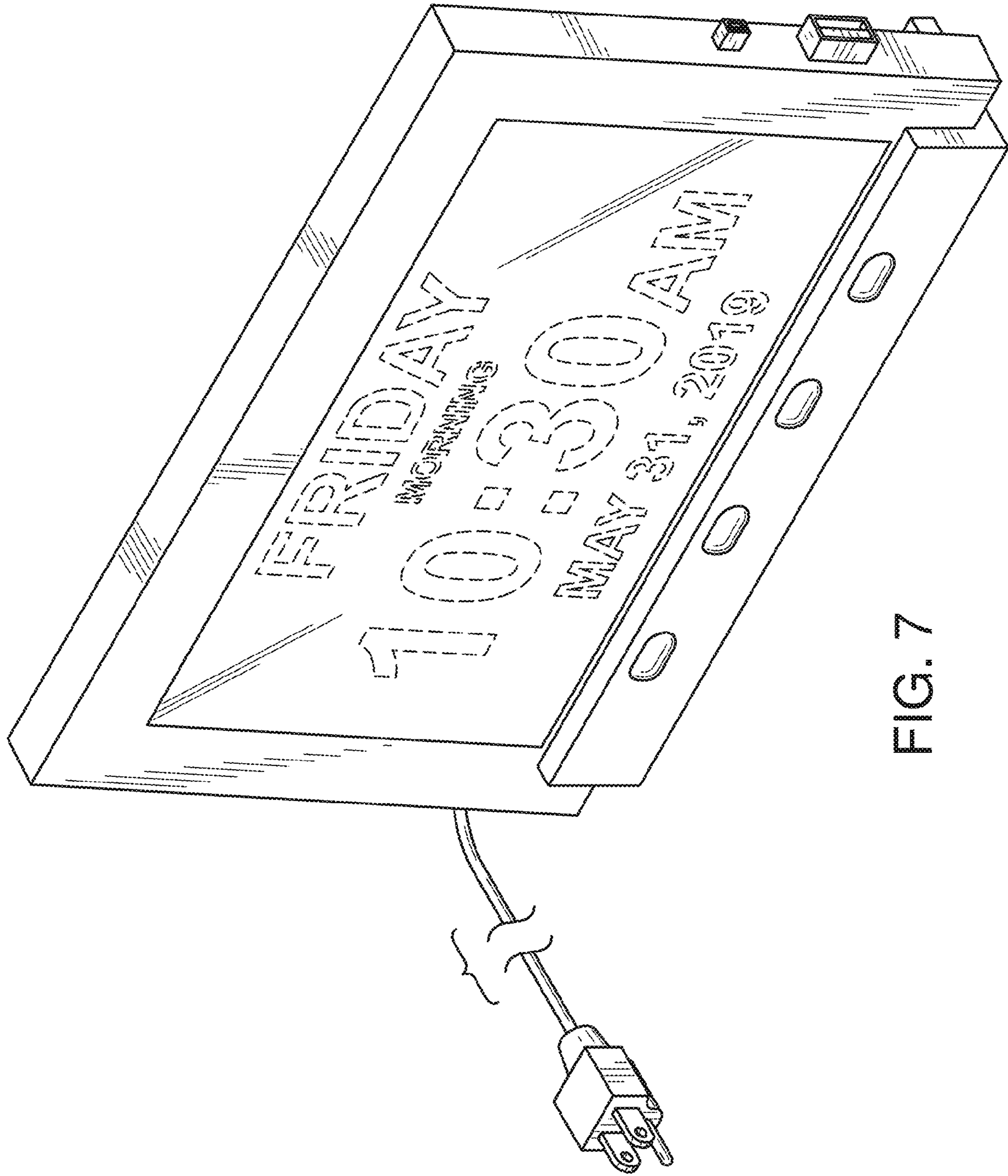


FIG. 7