



US00D920128S

(12) **United States Design Patent**
Zanchin et al.

(10) **Patent No.:** **US D920,128 S**
(45) **Date of Patent:** **** May 25, 2021**

- (54) **PACKAGING BAG**
- (71) Applicant: **FLAT SYSTEM S.R.L.**,
Camposampiero (IT)
- (72) Inventors: **Marco Zanchin**, Padua (IT); **Ronnie Pallaro**, Padua (IT)
- (73) Assignee: **FLAT SYSTEM S.r.L.**,
Camposampiero (IT)
- (**) Term: **15 Years**
- (21) Appl. No.: **35/508,151**
- (22) Filed: **Oct. 17, 2019**
- (80) **Hague Agreement Data**
Int. Filing Date: **Oct. 17, 2019**
Int. Reg. No.: **DM/204725**
Int. Reg. Date: **Oct. 17, 2019**
Int. Reg. Pub. Date: **Dec. 20, 2019**
- (30) **Foreign Application Priority Data**
Apr. 19, 2019 (WO) 82784
- (51) **LOC (13) Cl.** **09-05**
- (52) **U.S. Cl.**
USPC **D9/704; D3/201**
- (58) **Field of Classification Search**
USPC D3/201, 226, 231, 232, 240, 241, 304,
D3/307; D9/499, 702-704, 720
CPC B65D 33/12; B65D 33/02; B65D 31/10
See application file for complete search history.
- (56) **References Cited**
U.S. PATENT DOCUMENTS
1,349,654 A * 8/1920 Bergen B65D 33/12
383/20
1,379,829 A * 5/1921 Lawrence B65D 33/12
383/20

- 1,714,277 A * 5/1929 Reich B65D 33/12
383/18
- 1,721,043 A * 7/1929 Duvall B65D 33/12
383/20
- 1,982,503 A * 11/1934 Eaton B65D 33/12
493/221
- 1,986,898 A * 1/1935 Smithwick B65D 33/12
383/18
- 1,996,619 A * 4/1935 Katz B65D 33/12
383/18
- 2,454,013 A * 11/1948 Scherzinger B65D 33/12
383/2
- D234,043 S * 1/1975 Vetter D9/704
- D254,478 S * 3/1980 Carroll D9/704
- 4,836,690 A * 6/1989 Cheng B65D 5/46024
383/42

(Continued)

OTHER PUBLICATIONS

Mockup Shop. Packaging Bag Mockup. No date specified, <https://mockup.shop/mockup/psd-mockups/packaging/packaging-bag-mockup/> (Year: 0).*

(Continued)

Primary Examiner — Darcey E Gottschalk
(74) *Attorney, Agent, or Firm* — Thomas I Horstemeyer, LLP

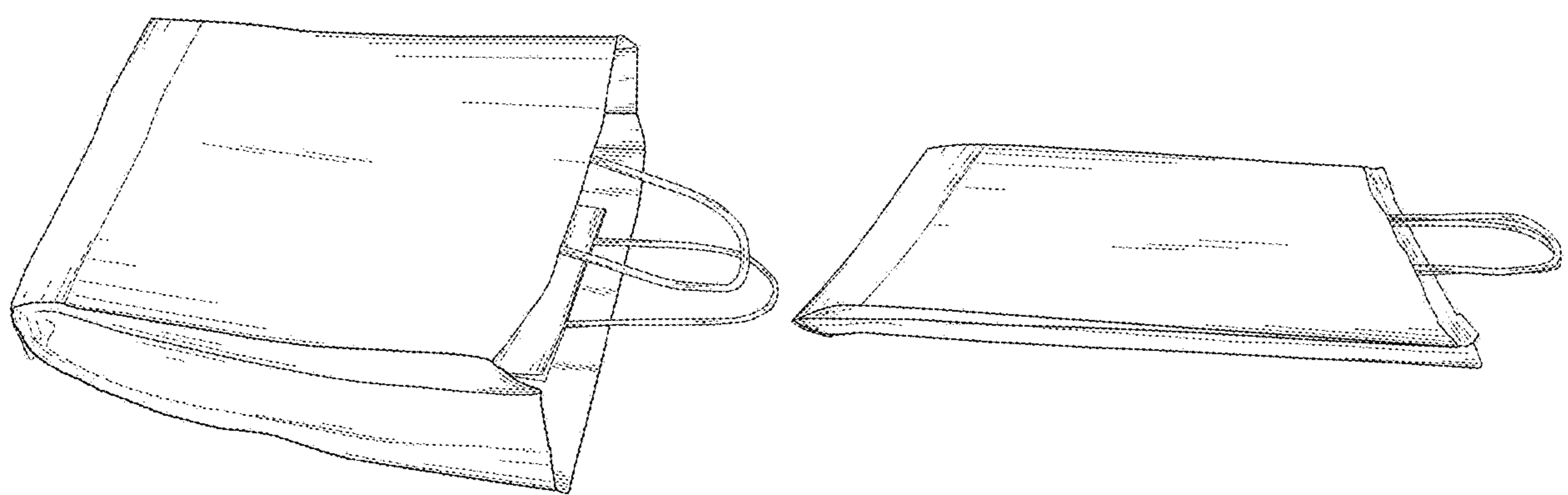
(57) **CLAIM**

The ornamental design for a packaging bag, as shown and described.

DESCRIPTION

- 1.1 is a is a front perspective view of the open packaging bag, showing our new design;
- 1.2 is a lateral perspective view of the packaging bag;
- 1.3 is a top view of the closed packaging bag;
- 1.4 is a bottom view of the closed packaging bag;
- 1.5 is a lateral perspective view of the open packaging bag; and
- 1.6 is a lateral perspective view of the closed packaging bag.

1 Claim, 6 Drawing Sheets



(56)

References Cited

U.S. PATENT DOCUMENTS

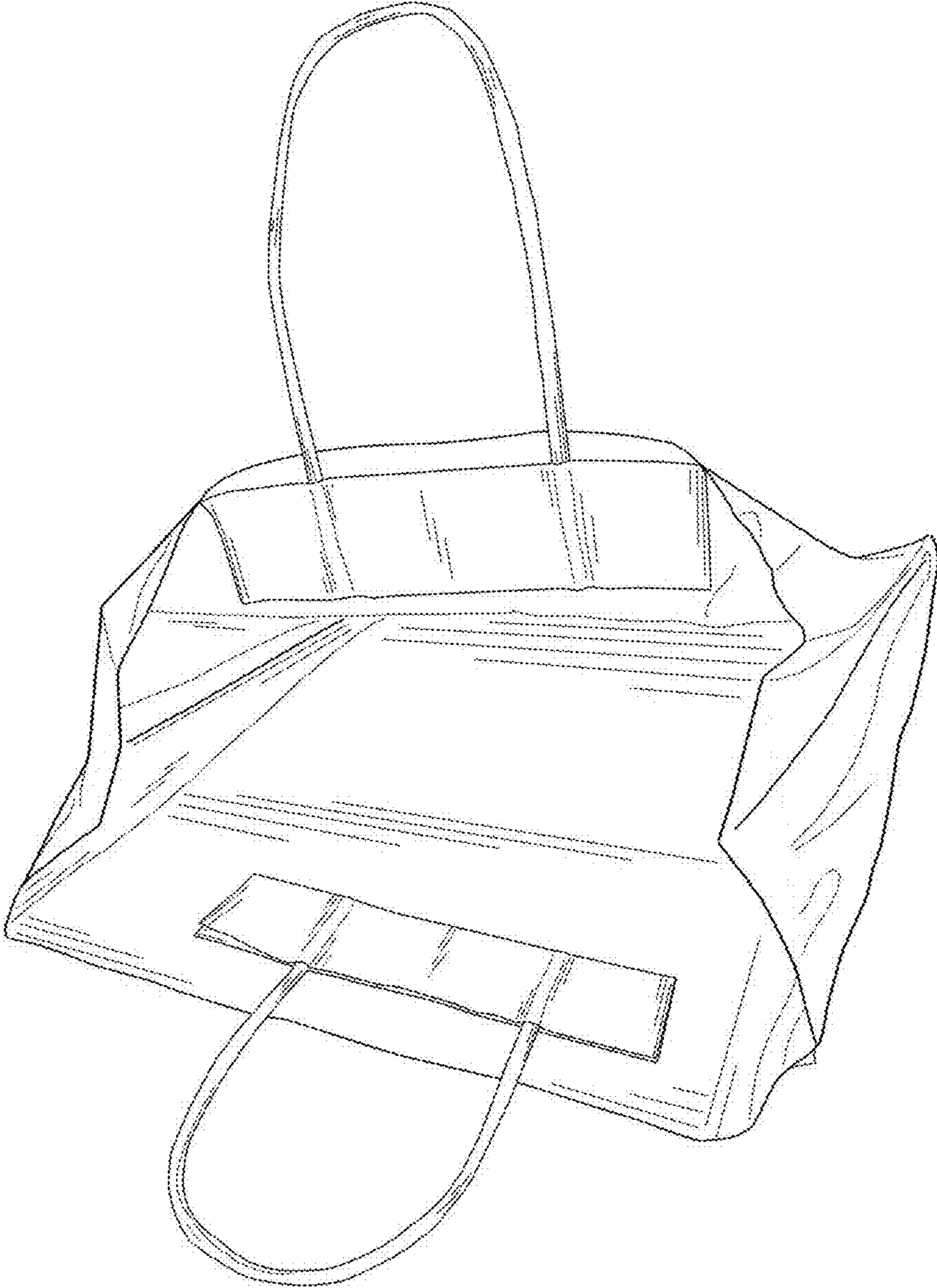
D305,728 S * 1/1990 Tufariello D19/2
 6,299,352 B1 * 10/2001 Julien B65D 33/02
 383/119
 D452,814 S * 1/2002 Furuta D3/303
 D471,089 S * 3/2003 Schwelky D9/704
 D490,301 S * 5/2004 Townsend D9/704
 D555,008 S * 11/2007 Gattino D9/702
 D576,500 S * 9/2008 Kim D9/703
 D578,409 S * 10/2008 Clark D9/703
 D764,939 S * 8/2016 Akana D9/703
 D796,341 S * 9/2017 Barlier D9/703
 D817,774 S * 5/2018 Kim D9/644
 10,259,616 B2 * 4/2019 Korinek B65D 31/10
 D860,807 S * 9/2019 Sill D9/704
 D868,452 S * 12/2019 Gattino D3/201
 D889,992 S * 7/2020 Rubio D9/720
 2003/0152298 A1 * 8/2003 Luoni B65D 31/10
 383/120
 2009/0224514 A1 * 9/2009 Musi B65D 31/10
 280/727
 2012/0128272 A1 * 5/2012 Murgia B65D 33/004
 383/40
 2013/0334080 A1 * 12/2013 Campbell B65D 33/004
 206/232
 2015/0314921 A1 * 11/2015 Mayer G09F 19/02
 383/6

OTHER PUBLICATIONS

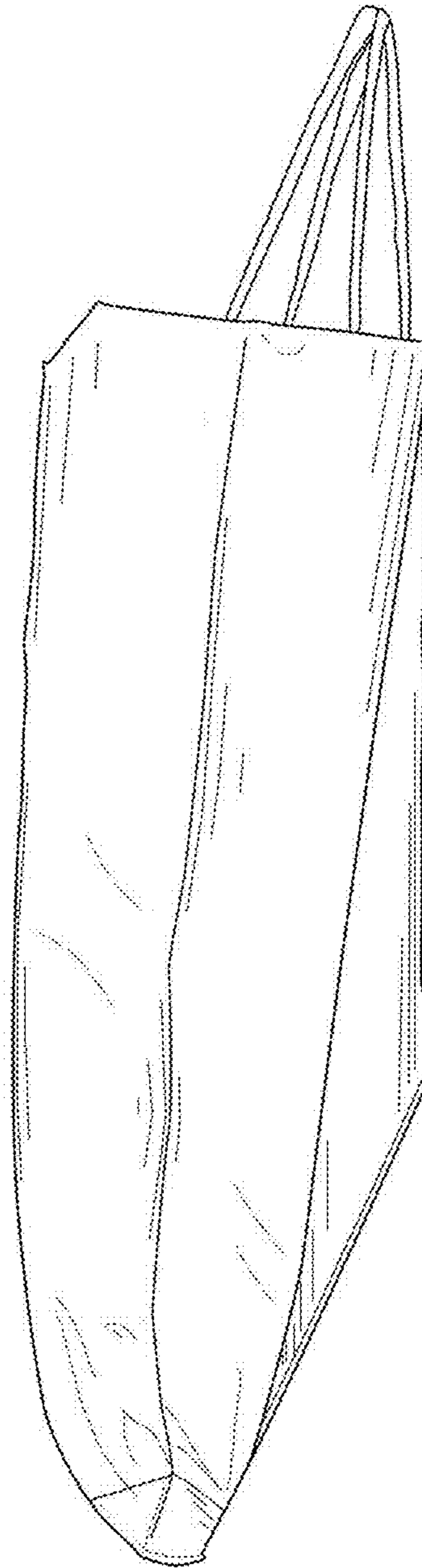
Office Works. Gift Packaging Kraft Carry Bags Medium Black 25 Pack. No date specified, <https://www.officeworks.com.au/shop/officeworks/p/gift-packaging-kraft-carry-bags-medium-black-25-pack-gpkftbkmed> (Year: 0).*

* cited by examiner

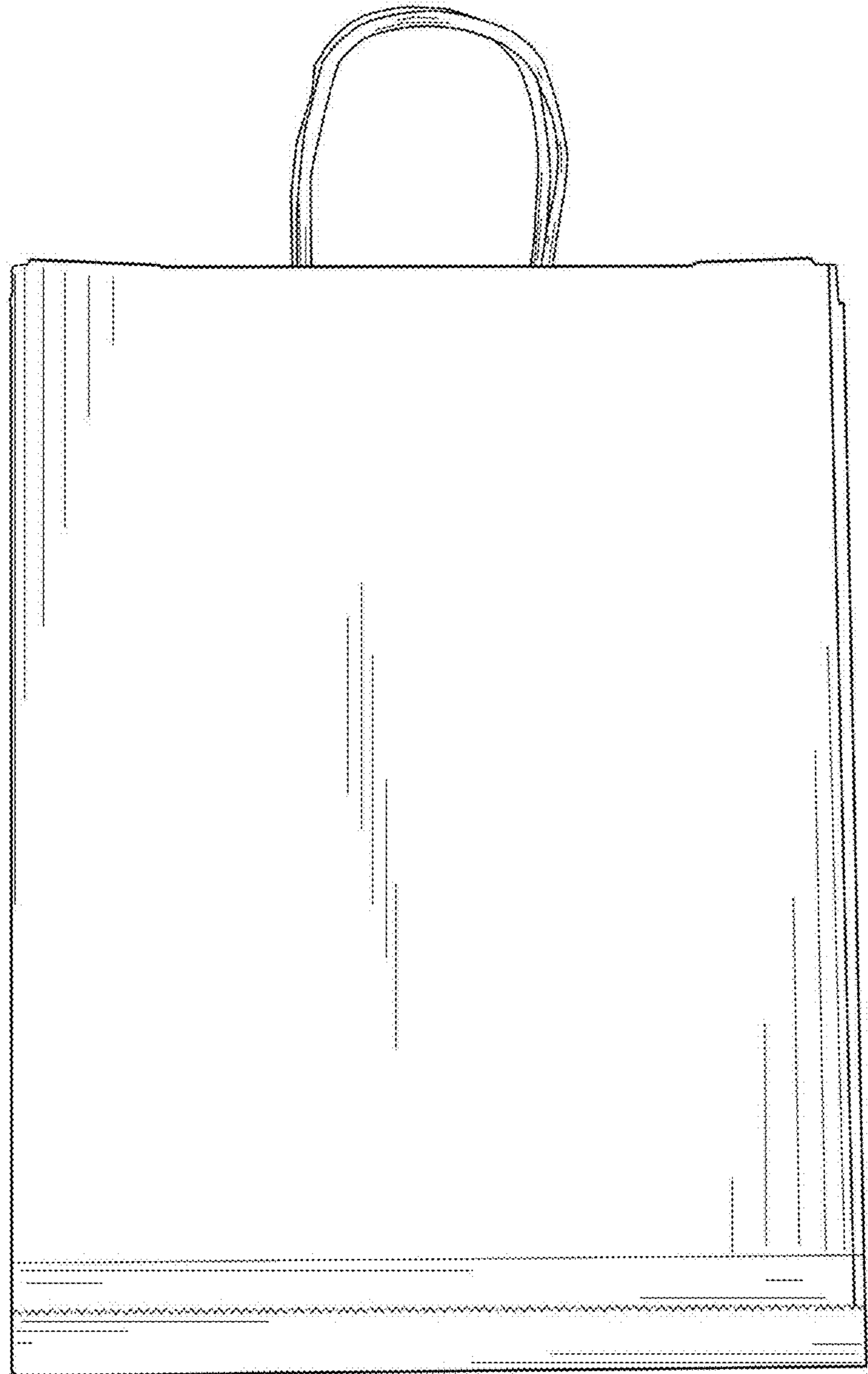
1.1



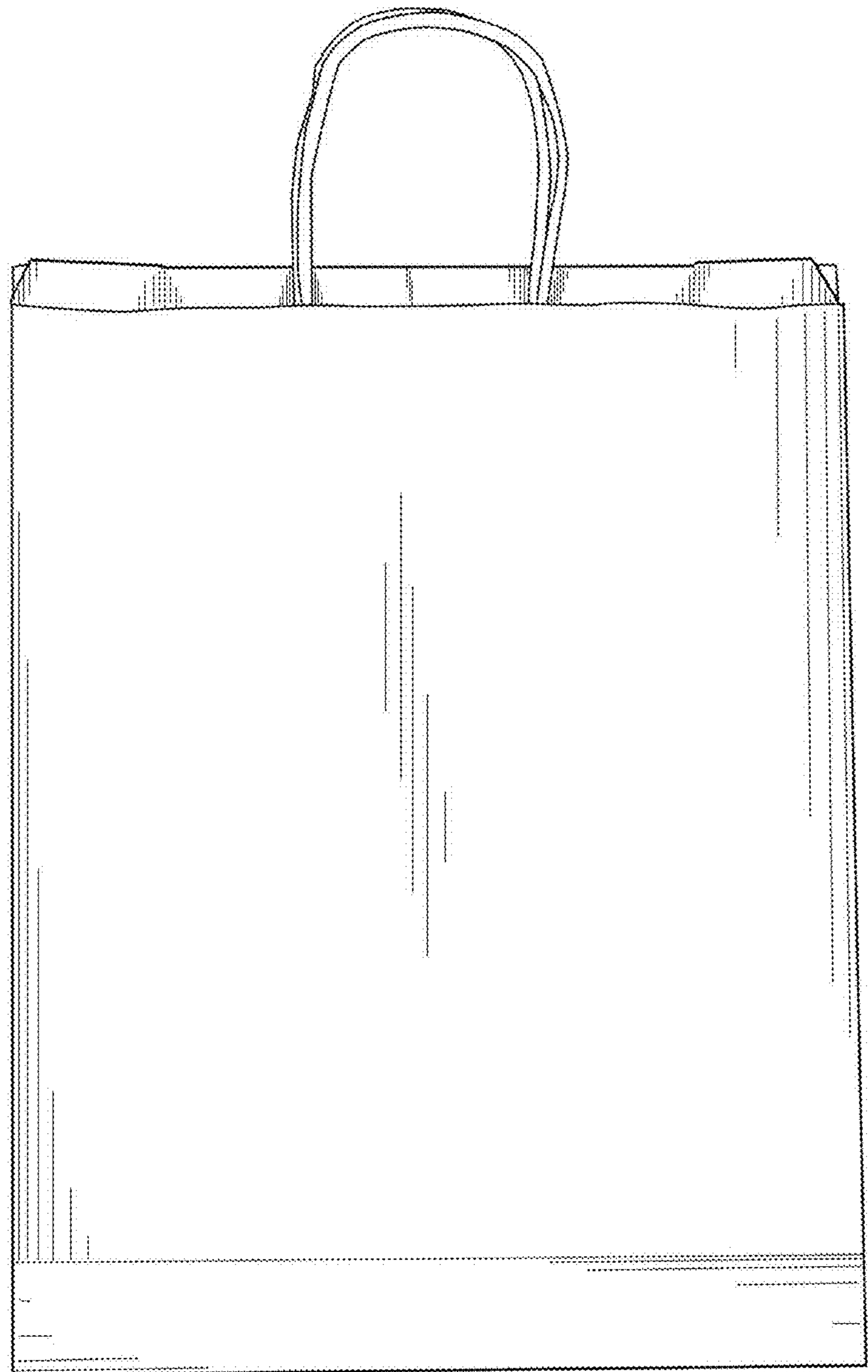
1.2



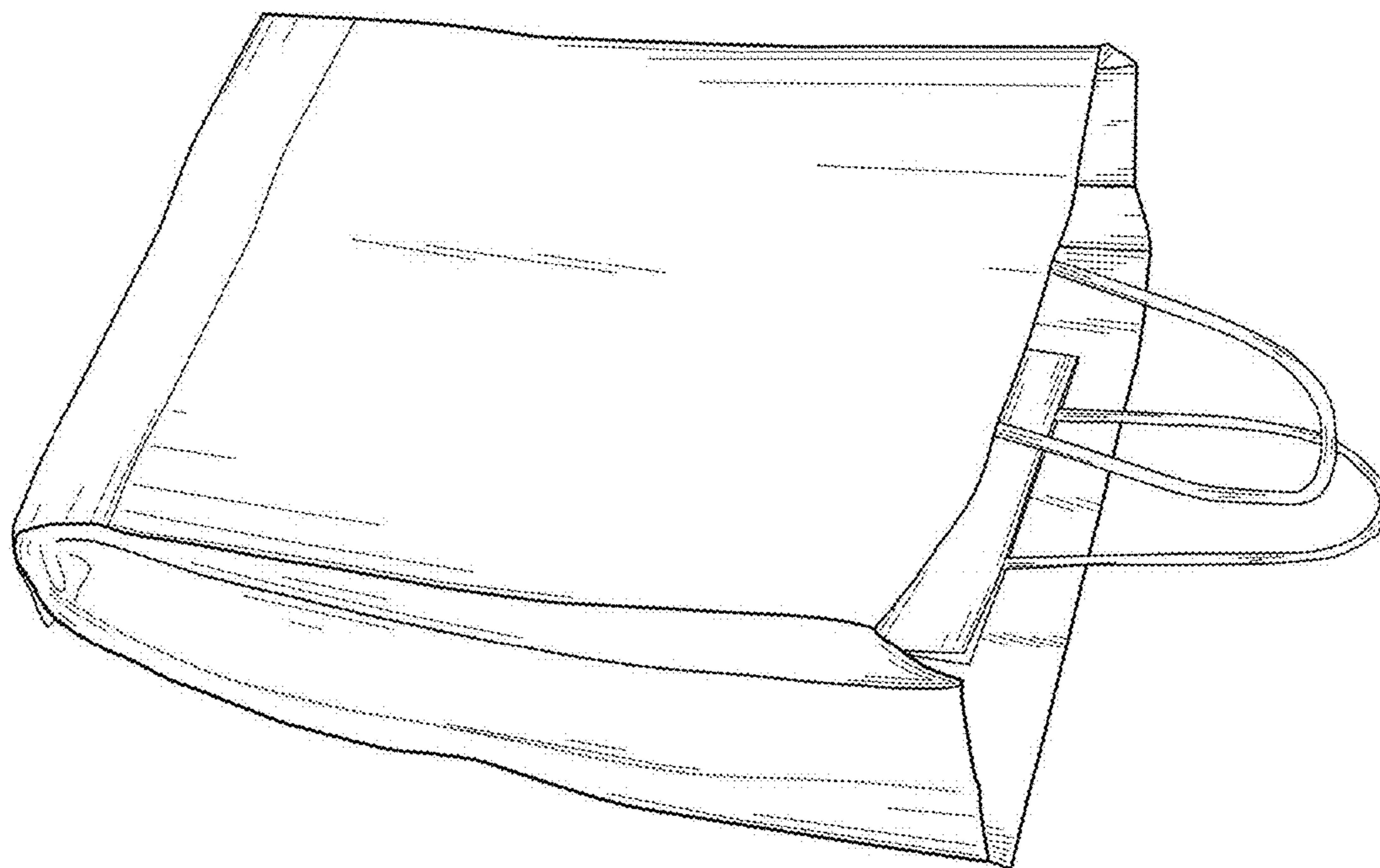
1.3



1.4



1.5



1.6

