



US00D920126S

(12) **United States Design Patent**
Badawy

(10) **Patent No.:** **US D920,126 S**

(45) **Date of Patent:** **** May 25, 2021**

(54) **CONTAINER**

(71) Applicant: **Sherif Badawy**, Chicago, IL (US)

(72) Inventor: **Sherif Badawy**, Chicago, IL (US)

(73) Assignee: **Sherif Badawy**, Chicago, IL (US)

(**) Term: **15 Years**

(21) Appl. No.: **29/634,280**

(22) Filed: **Jan. 19, 2018**

(51) **LOC (13) Cl.** **09-01**

(52) **U.S. Cl.**
USPC **D9/614; D9/601**

(58) **Field of Classification Search**
USPC D9/600, 601, 614, 615, 516, 501, 549,
D9/550, 558, 715, 719, 563; D7/301,
D7/506, 519, 520, 539, 560, 514-517,
D7/571, 578, 579, 594, 595, 599, 619.2,
D7/628; D3/203.1, 203.2, 270, 271.1,
D3/271.2, 271.3, 316; D24/216, 224;
D21/578, 623

CPC B65D 1/0223; B65D 51/24; B65D 51/245;
B65D 2543/00092; B65D 2583/0445;
B65D 2583/0463; B65D 81/365; A61J
1/03; A61M 2205/59

See application file for complete search history.

(56) **References Cited**

U.S. PATENT DOCUMENTS

D265,628 S * 8/1982 Redaelli D9/418
4,708,254 A 11/1987 Byrns
D327,128 S 6/1992 Nightingale et al.
D350,894 S * 9/1994 Meng D21/578
D353,323 S * 12/1994 Meng D21/578
5,386,909 A 2/1995 Spector
5,871,184 A 2/1999 Kaopio
6,237,787 B1 5/2001 Gallo et al.
D463,715 S * 10/2002 Dretzka D7/523

D475,280 S * 6/2003 Ryczek D21/622
6,641,094 B2 11/2003 Fishler
D490,305 S * 5/2004 Takacs D7/599
(Continued)

FOREIGN PATENT DOCUMENTS

CN 201530150734.3 5/2015
CN 201530274886.4 7/2015
(Continued)

OTHER PUBLICATIONS

Internet search for container in Google Image [date searched Nov. 24, 2019]<https://www.amazon.com/Anself-Stainless-Seasoning-Condiment-Container/dp/B018VMPUI0#customerReviews> (Year: 2015).*

(Continued)

Primary Examiner — W. A. Teddy Falloway
(74) *Attorney, Agent, or Firm* — Beem Patent Law Firm

(57) **CLAIM**

The ornamental design for a container, as shown and described.

DESCRIPTION

FIG. 1 is a perspective view of the front of a container showing the new design.

FIG. 2 is a perspective view of the back of the container of FIG. 1.

FIG. 3 is a top view of the container.

FIG. 4 is a bottom view of the container of FIG. 1.

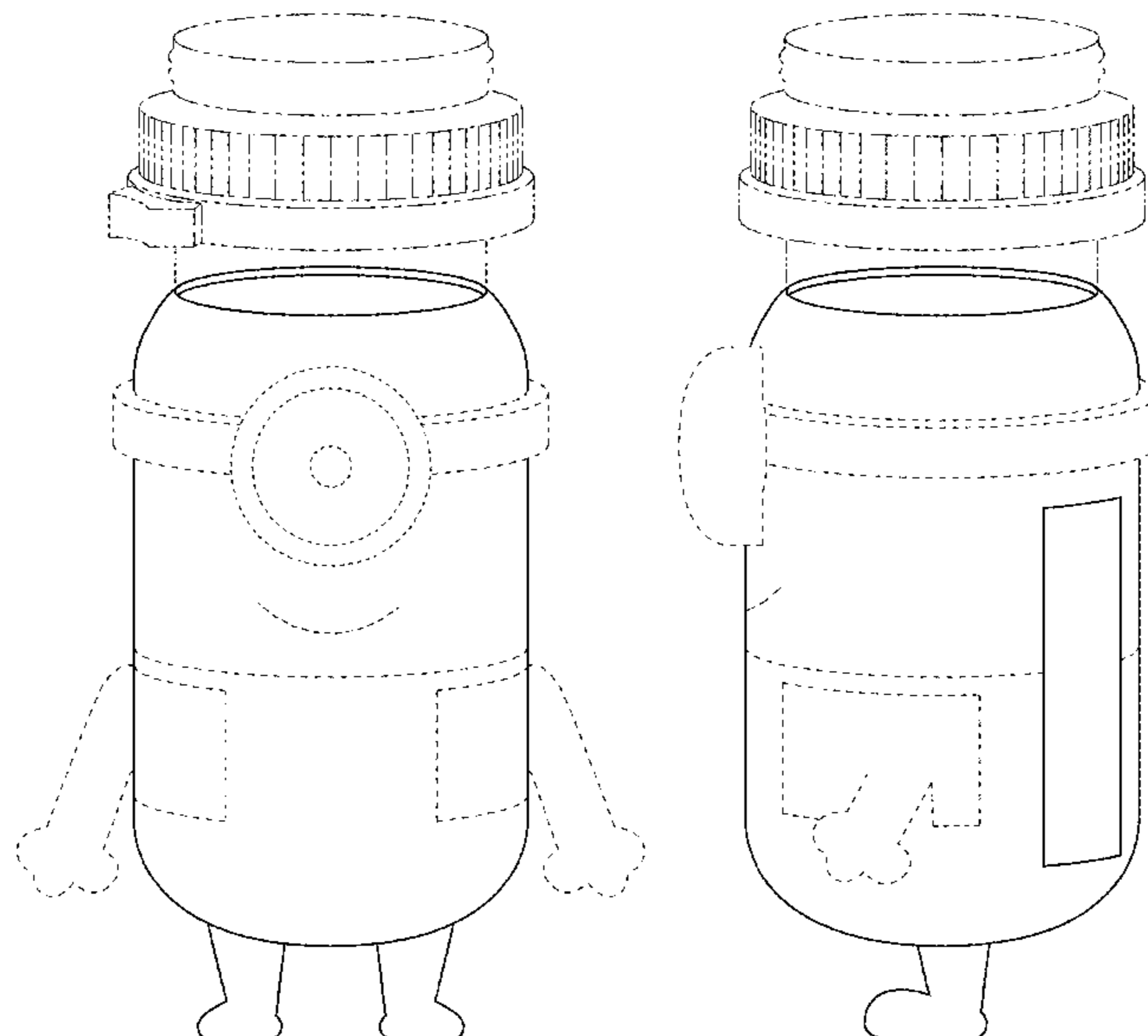
FIG. 5 is a left view of the container of FIG. 1; and,

FIG. 6 is a right view of the container of FIG. 1.

The dashed line showing of the container illustrates portions of the container that form no part of the claimed design.

The dot-dot-dash line showing of a bottle housed within the container illustrates environmental structure and forms no part of the claimed design.

1 Claim, 3 Drawing Sheets



(56)

References Cited

U.S. PATENT DOCUMENTS

6,824,112 B2 11/2004 Lange
 D507,495 S * 7/2005 Williams D9/719
 D525,538 S * 7/2006 Oas D10/32
 D550,571 S * 9/2007 Diaz D9/719
 D552,468 S * 10/2007 Seum D9/420
 D560,813 S * 1/2008 Matsuura D24/216
 D594,332 S * 6/2009 Nerubay D9/501
 7,908,683 B1 3/2011 Finell
 D650,274 S * 12/2011 Neumann D9/430
 8,123,055 B2 2/2012 Loving
 D675,099 S * 1/2013 Luciano, Jr. D9/445
 D676,505 S * 2/2013 Mimlitch, III D21/578
 D677,347 S * 3/2013 Mimlitch, III D21/578
 D677,742 S * 3/2013 Mimlitch, III D21/578
 D688,100 S * 8/2013 Lao D24/197
 D695,511 S * 12/2013 Sharpe D3/203.2
 D731,170 S * 6/2015 Priebe D3/203.2
 D733,418 S * 7/2015 Horn D3/203.2
 D762,567 S * 8/2016 Blaustein D13/107
 D772,720 S * 11/2016 Chelvaratnam D9/608
 D778,173 S * 2/2017 Pisarevsky D3/203.3
 D804,807 S * 12/2017 Wengreen D3/203.1
 D806,567 S * 1/2018 Ammar D9/719
 D826,549 S * 8/2018 Lospinoso D3/203.1

D843,790 S * 3/2019 Kang D7/613
 D878,044 S * 3/2020 Peng D3/271.3
 D891,927 S * 8/2020 Zhu D9/503
 D906,442 S * 12/2020 Lee D21/578
 2004/0055920 A1 * 3/2004 Perez B65D 1/0223
 206/457
 2019/0224072 A1 * 7/2019 Badawy B65D 81/365
 2020/0338373 A1 * 10/2020 Trinklein A61G 12/008

FOREIGN PATENT DOCUMENTS

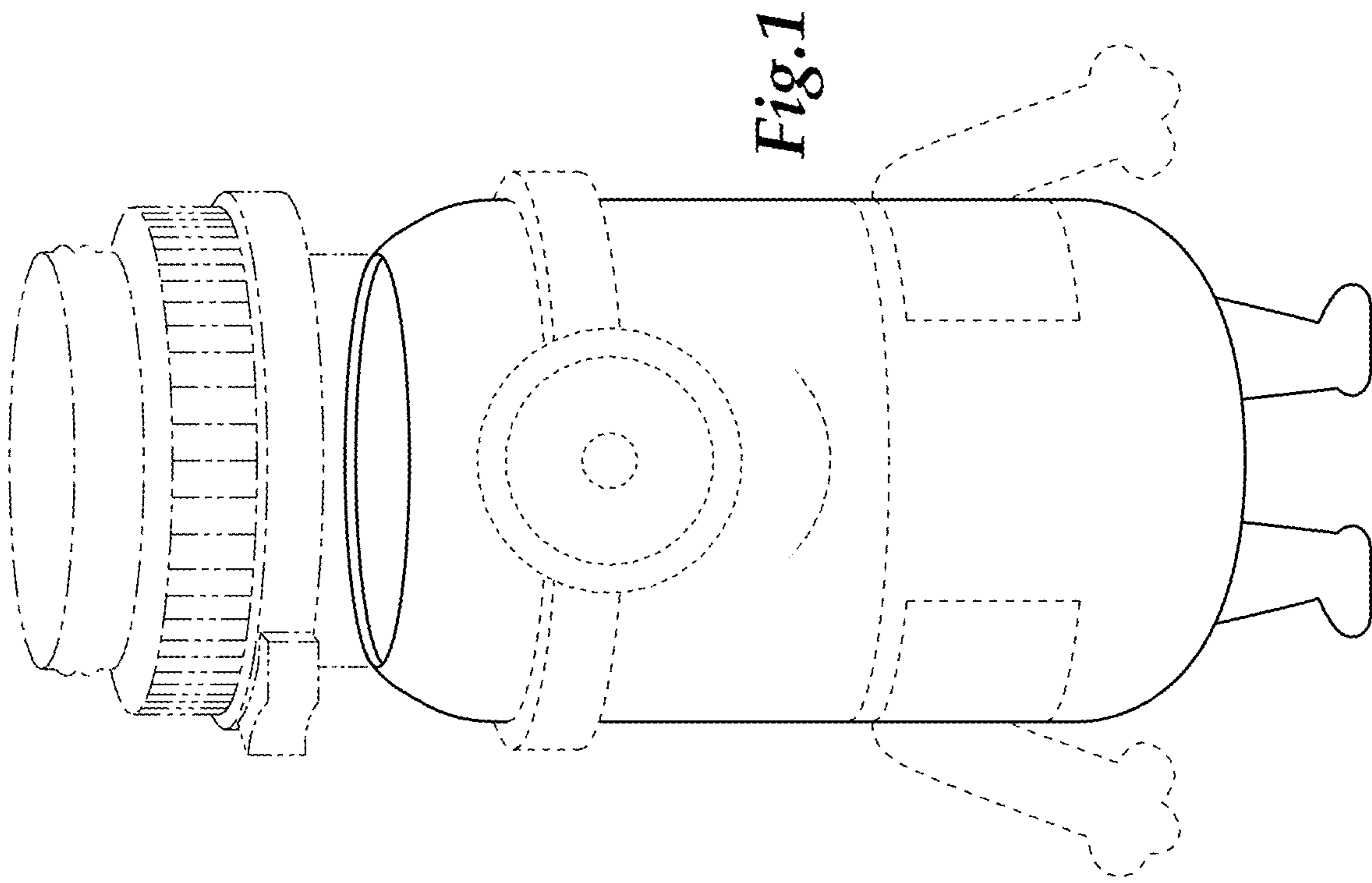
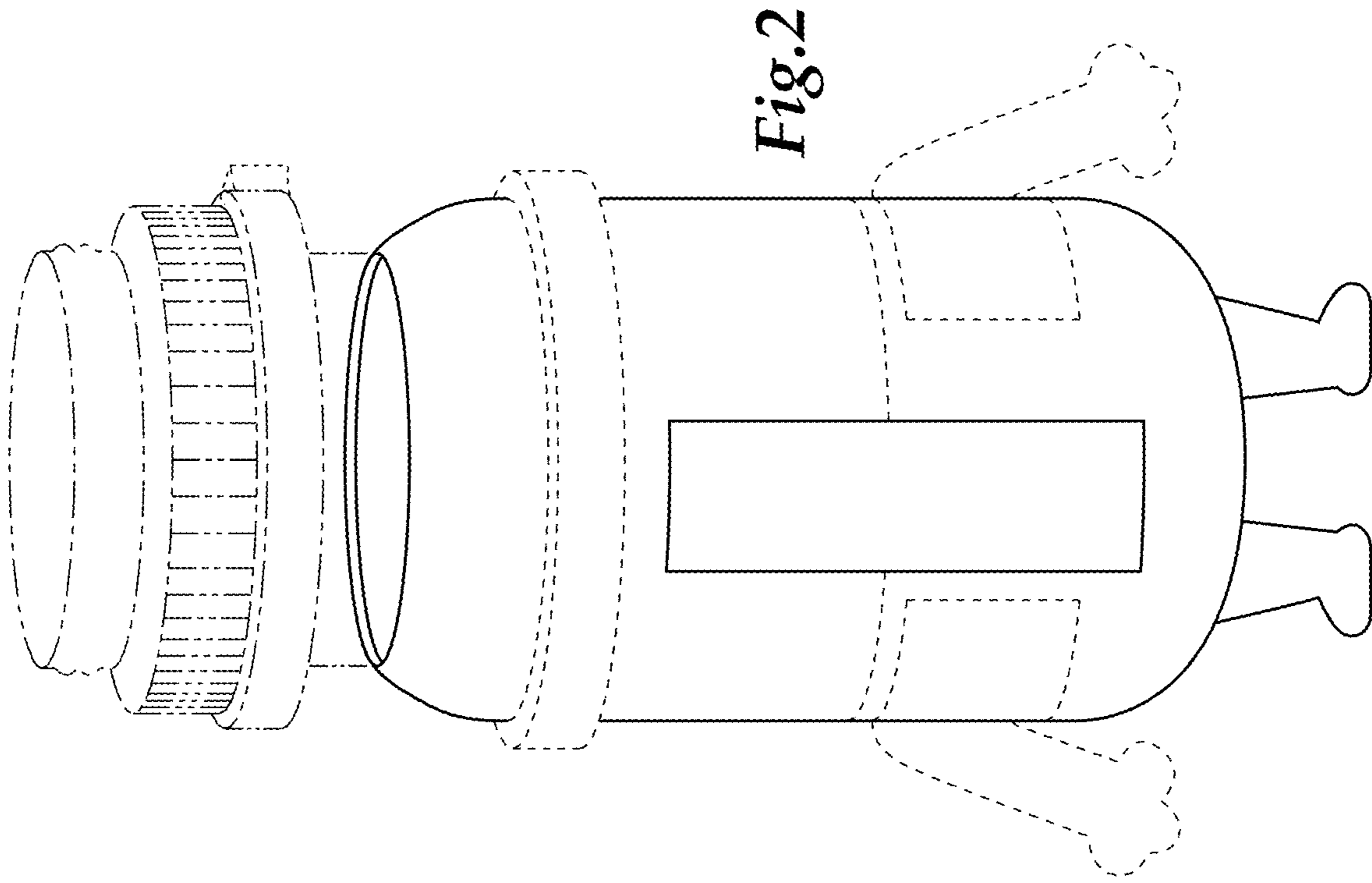
FR DM081083 5/2013
 FR DM089018 8/2015
 WO 9620768 A1 7/1996

OTHER PUBLICATIONS

<https://www.alamy.com/stock-photo-prescription-medicine-bottles-with-instructions-labels-and-warning-33515293.html> (Year: 2007).
 Ebay Listing of Minion Toothpaste Dispenser. <https://www.ebay.com/itm/Minion-Toothpaste-Dispenser-Minion-One-Eye-Minion-Stickers-Enclosed/133008922679?hash=item1ef7f31837:g:fm0AAOSw2EJcoVht>. First accessed May 29, 2019.

Various images of products.

* cited by examiner



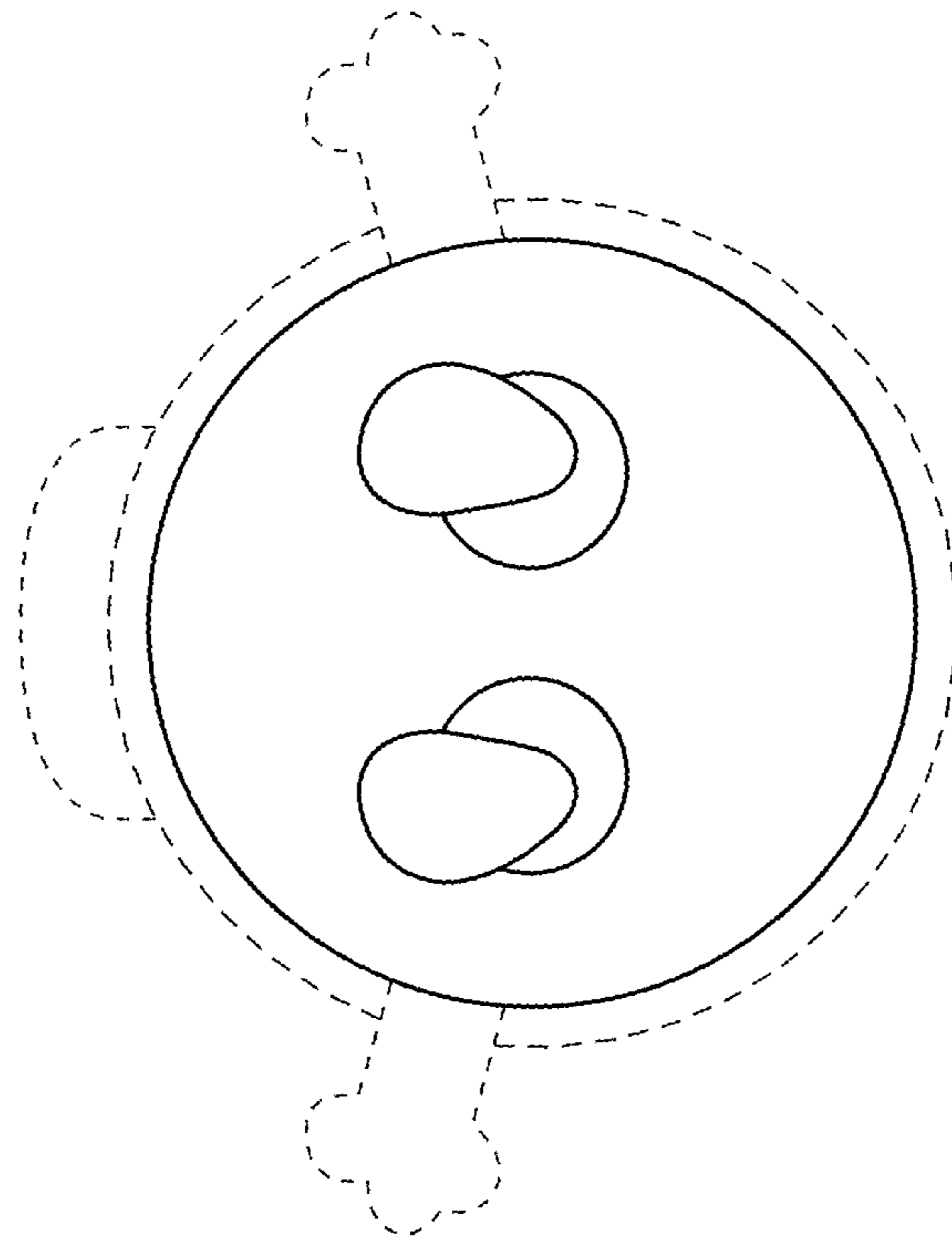


Fig. 4

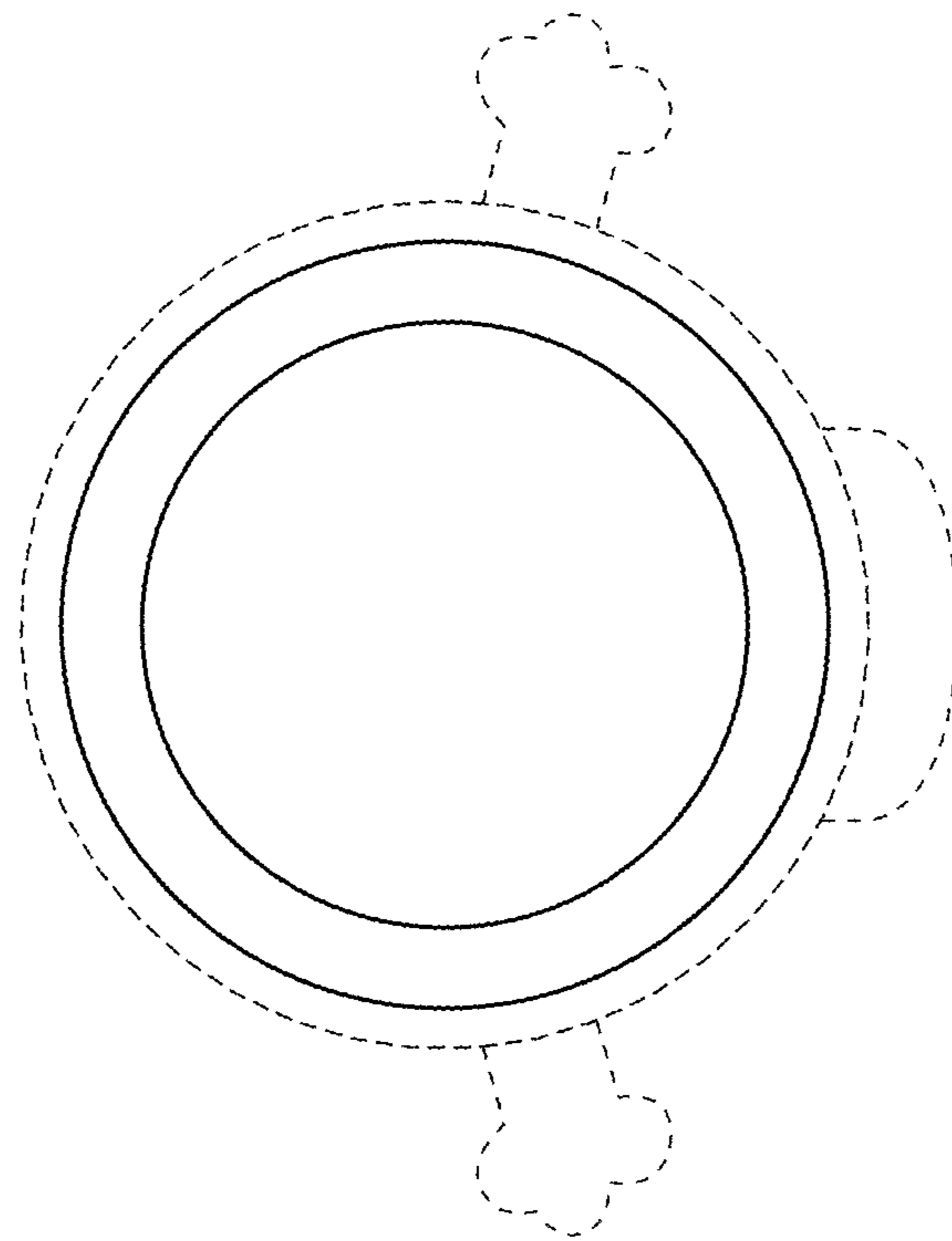


Fig. 3

