



US00D920121S

(12) **United States Design Patent**
Sestak

(10) **Patent No.:** **US D920,121 S**

(45) **Date of Patent:** **** May 25, 2021**

- (54) **BOTTLE**
- (71) Applicant: **SAKURA FINETEK U.S.A., INC.**,
Torrance, CA (US)
- (72) Inventor: **Joseph T. Sestak**, Erie, PA (US)
- (73) Assignee: **SAKURA FINETEK U.S.A., INC.**,
Torrance, CA (US)
- (**) Term: **15 Years**
- (21) Appl. No.: **29/670,602**
- (22) Filed: **Nov. 16, 2018**
- (51) **LOC (13) Cl.** **09-01**
- (52) **U.S. Cl.**
USPC **D9/527; D9/417**
- (58) **Field of Classification Search**
USPC D9/522, 523, 527, 528, 529, 542, 543,
D9/558, 571, 574, 575, 471, 531;
D23/211.1, 211.2
CPC B65D 1/0223; B65D 2501/0081; B65D
2543/00296; B65D 23/102; B65D
2543/00092
See application file for complete search history.

5,346,106 A	9/1994	Ring	
D352,459 S *	11/1994	Pollacco	D9/528
D454,063 S *	3/2002	Dammers	D9/417
D454,302 S *	3/2002	Dammers	D9/417
D454,492 S *	3/2002	Dammers	D9/417
6,360,924 B1	3/2002	Franzen	
D485,189 S *	1/2004	Montalbano	D9/528
7,086,548 B2	8/2006	Bartlett	
D528,425 S *	9/2006	Van Dorin	D9/524
D549,579 S *	8/2007	Lopez	D9/516
D554,509 S *	11/2007	Ghalebi	D9/520
D559,111 S	1/2008	Reimann et al.	
D571,216 S	6/2008	Christian et al.	
D592,517 S *	5/2009	Brown	D9/531
D595,583 S *	7/2009	Lovelace, Jr.	B65D 25/2885 D9/528
D601,028 S *	9/2009	Brown	D9/531
D628,896 S *	12/2010	Smith	D9/516
D650,285 S *	12/2011	Smith	D9/516
D651,093 S *	12/2011	Van Rens	D9/541
D658,500 S *	5/2012	Haupt	D9/528

(Continued)

Primary Examiner — Brett Miller
Assistant Examiner — Rani J Abdallah
 (74) *Attorney, Agent, or Firm* — William Thomas Babbitt;
 Leech Tishman Fuscaldo & Lampl

(57) **CLAIM**

The ornamental design for a bottle, as shown and described.

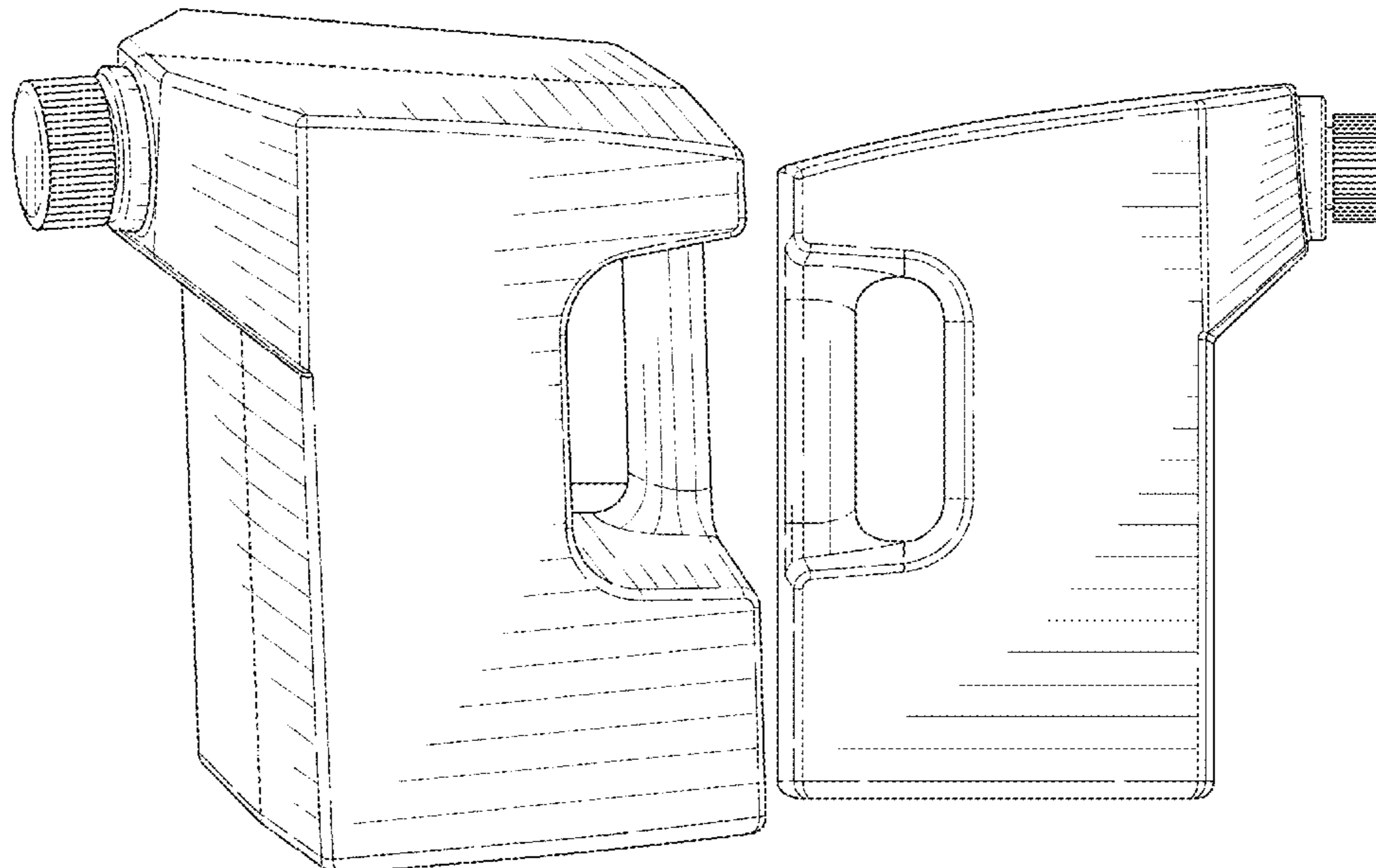
DESCRIPTION

FIG. 1 is a perspective view of a bottle;
 FIG. 2 is a plan view of the top of the bottle;
 FIG. 3 is a plan view of the bottom of the bottle;
 FIG. 4 is a plan view of a first side of the bottle;
 FIG. 5 is a plan view of a second side of the bottle;
 FIG. 6 is a plan view of the front side of the bottle; and,
 FIG. 7 is a plan view of the rear side of the bottle.
 The broken lines depict portions of the bottle that form no part of the claimed design.

1 Claim, 4 Drawing Sheets

(56) **References Cited**
 U.S. PATENT DOCUMENTS

D115,531 S	12/1938	Stopa	
D193,954 S *	10/1962	Kuchenbecker	D9/417
D196,984 S *	11/1963	Platte	D9/528
D243,386 S *	2/1977	Hoyt	D9/526
D248,830 S *	8/1978	Anderson	D9/523
D266,743 S *	11/1982	Brown	D9/417
D269,949 S *	8/1983	Stoy	D9/528
D282,440 S *	2/1986	Gordon, Jr.	D9/527
D336,433 S *	6/1993	Guislain	D9/435
D340,642 S *	10/1993	Detzel	D9/417
5,302,029 A	4/1994	Weber et al.	



(56)

References Cited

U.S. PATENT DOCUMENTS

D684,853	S	*	6/2013	Dagnino	D9/417
8,511,492	B2		8/2013	Webster et al.	
D772,054	S	*	11/2016	Wolf	D9/417
9,624,010	B2		4/2017	Harper	
D794,463	S		8/2017	Turi et al.	
D867,889	S	*	11/2019	Baumann	D9/575
D883,790	S	*	5/2020	Garcia de Alba Morales	D9/528

* cited by examiner

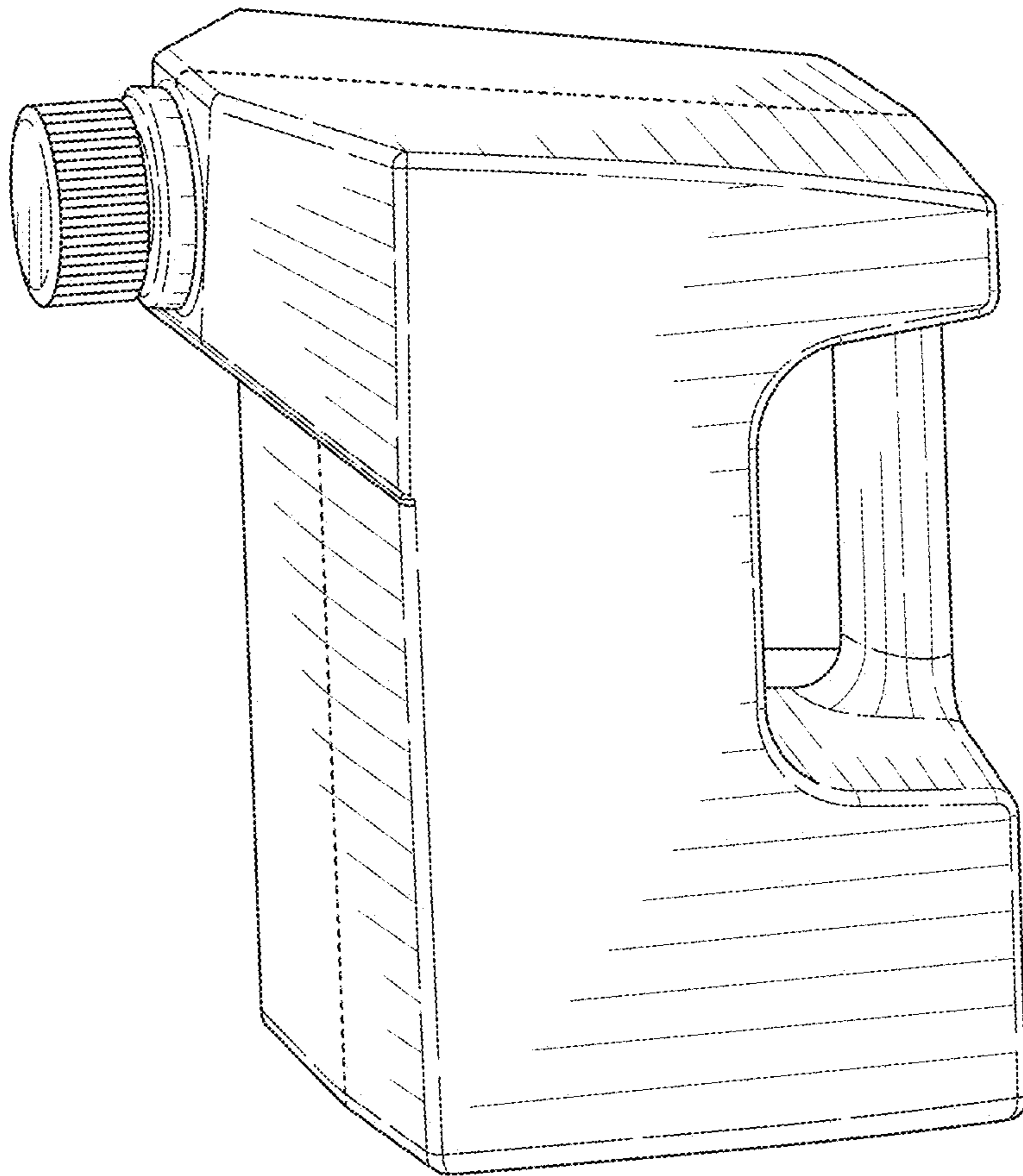


FIG. 1

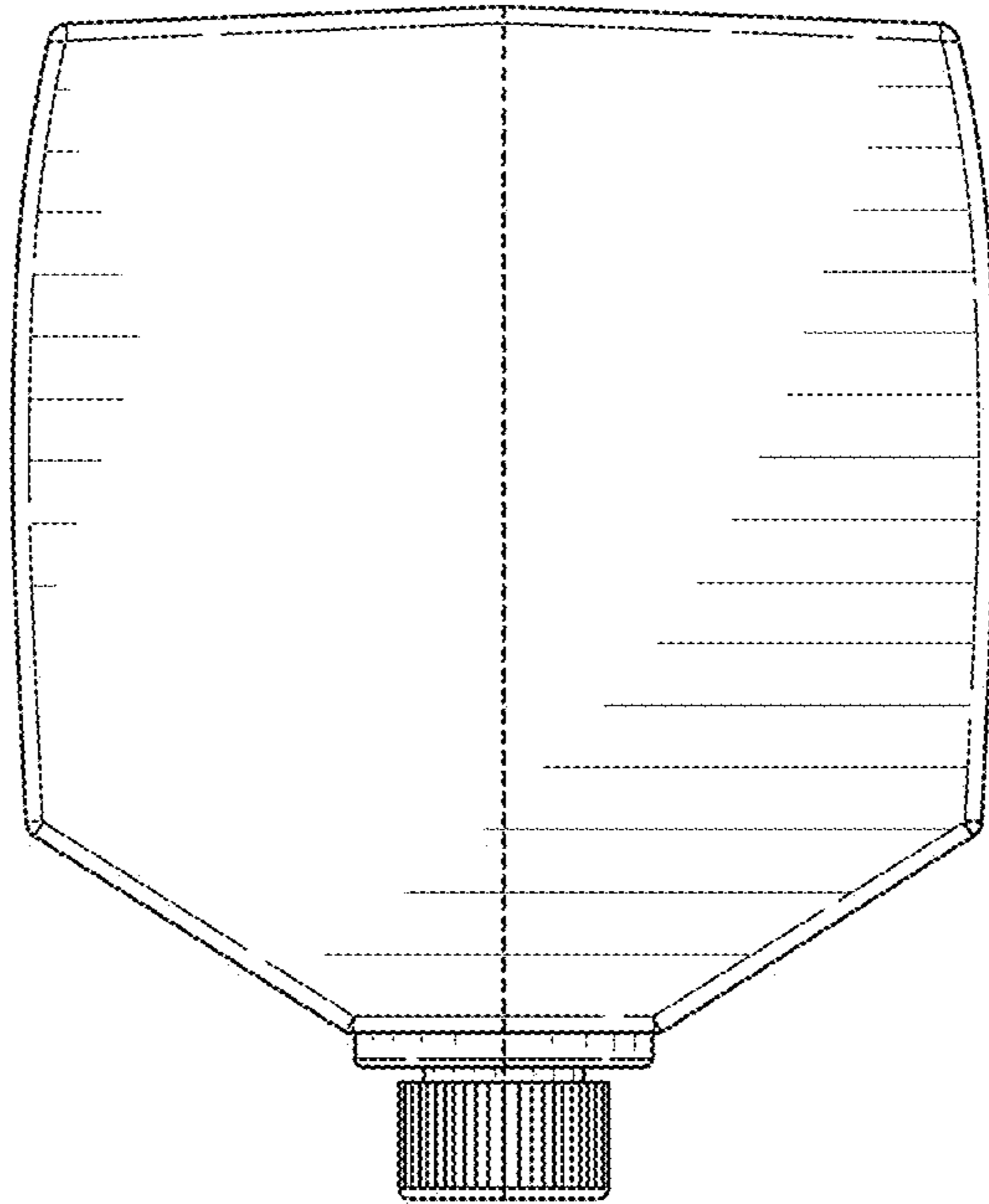


FIG. 2

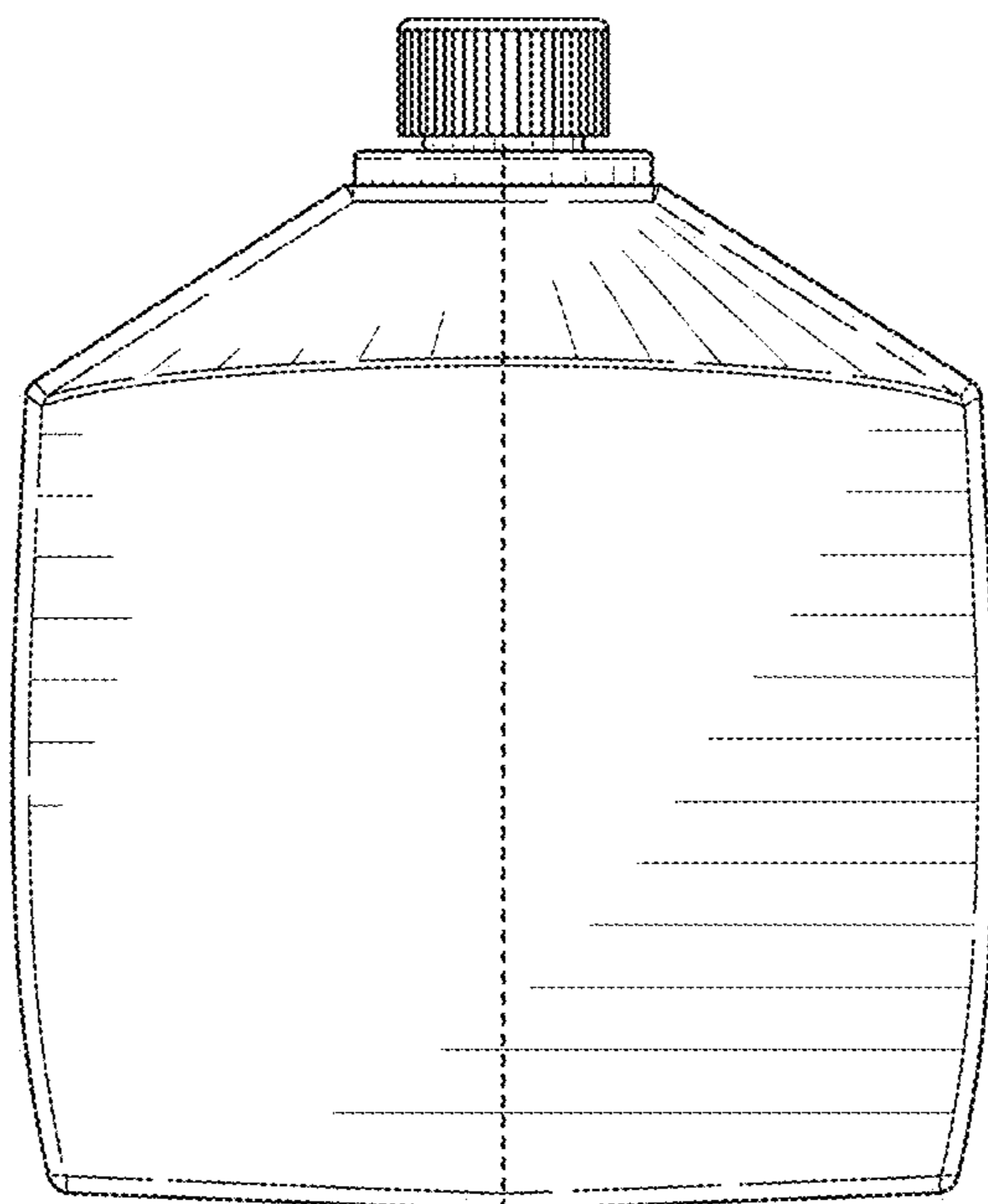


FIG. 3

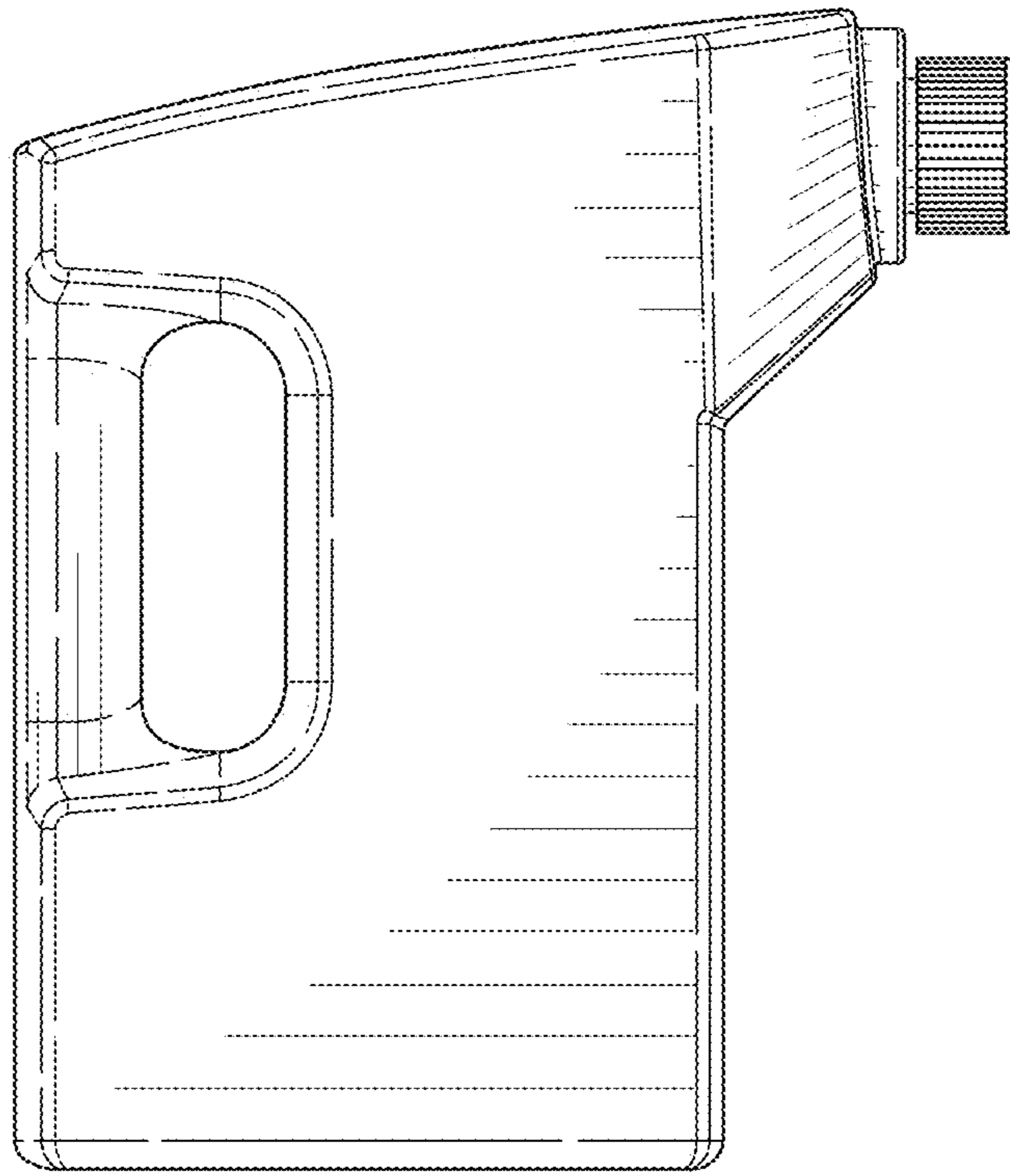


FIG. 4

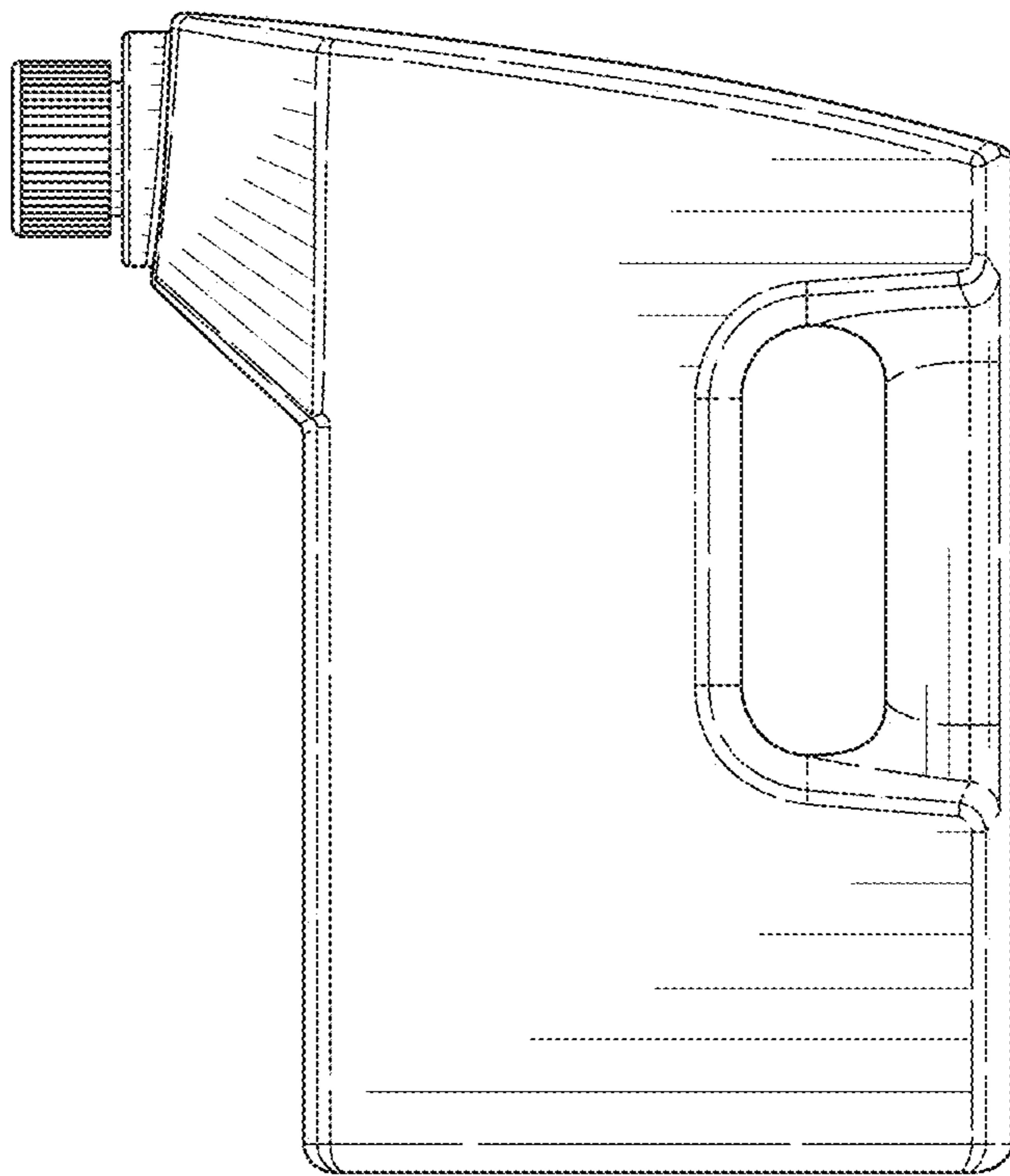


FIG. 5

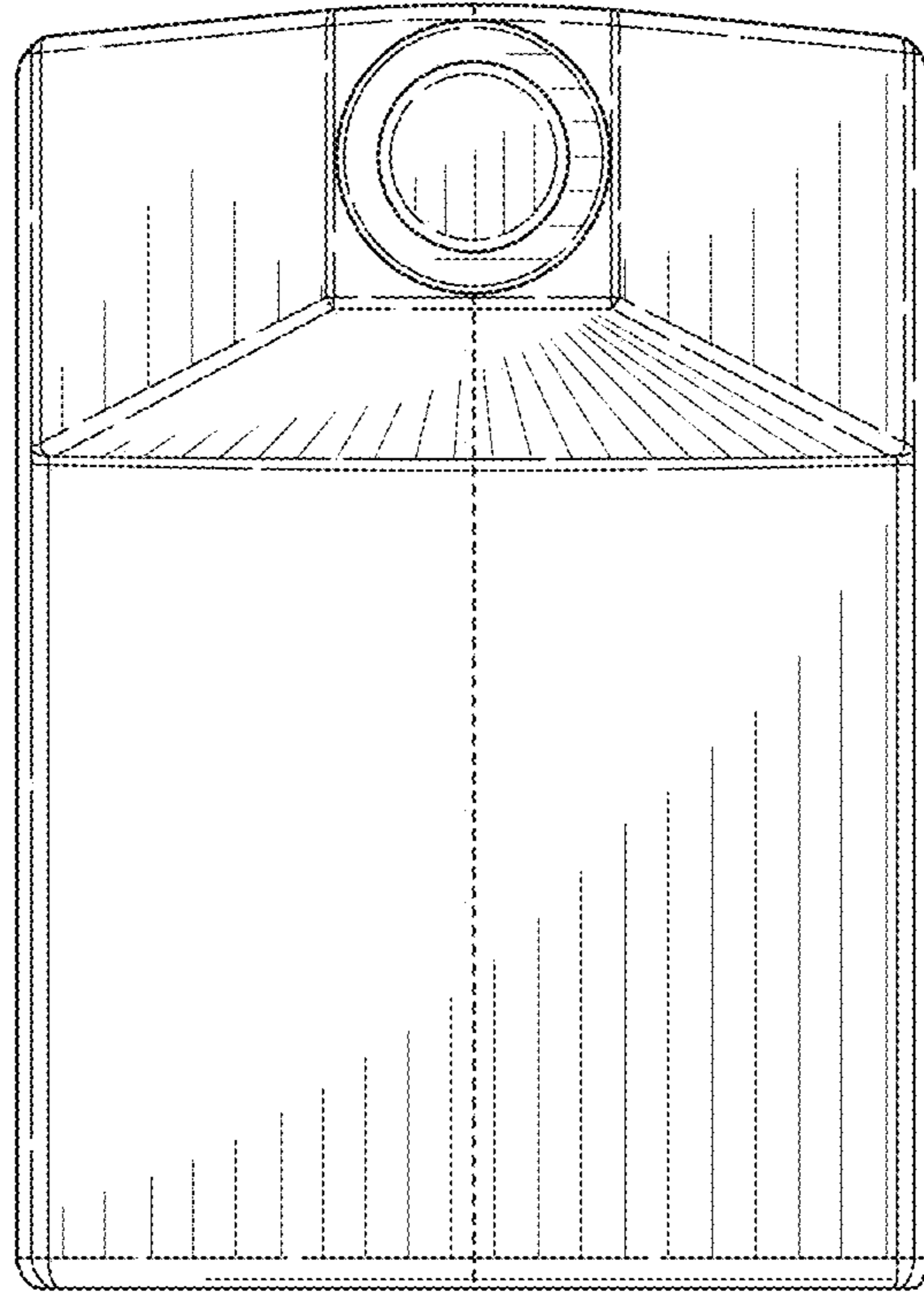


FIG. 6

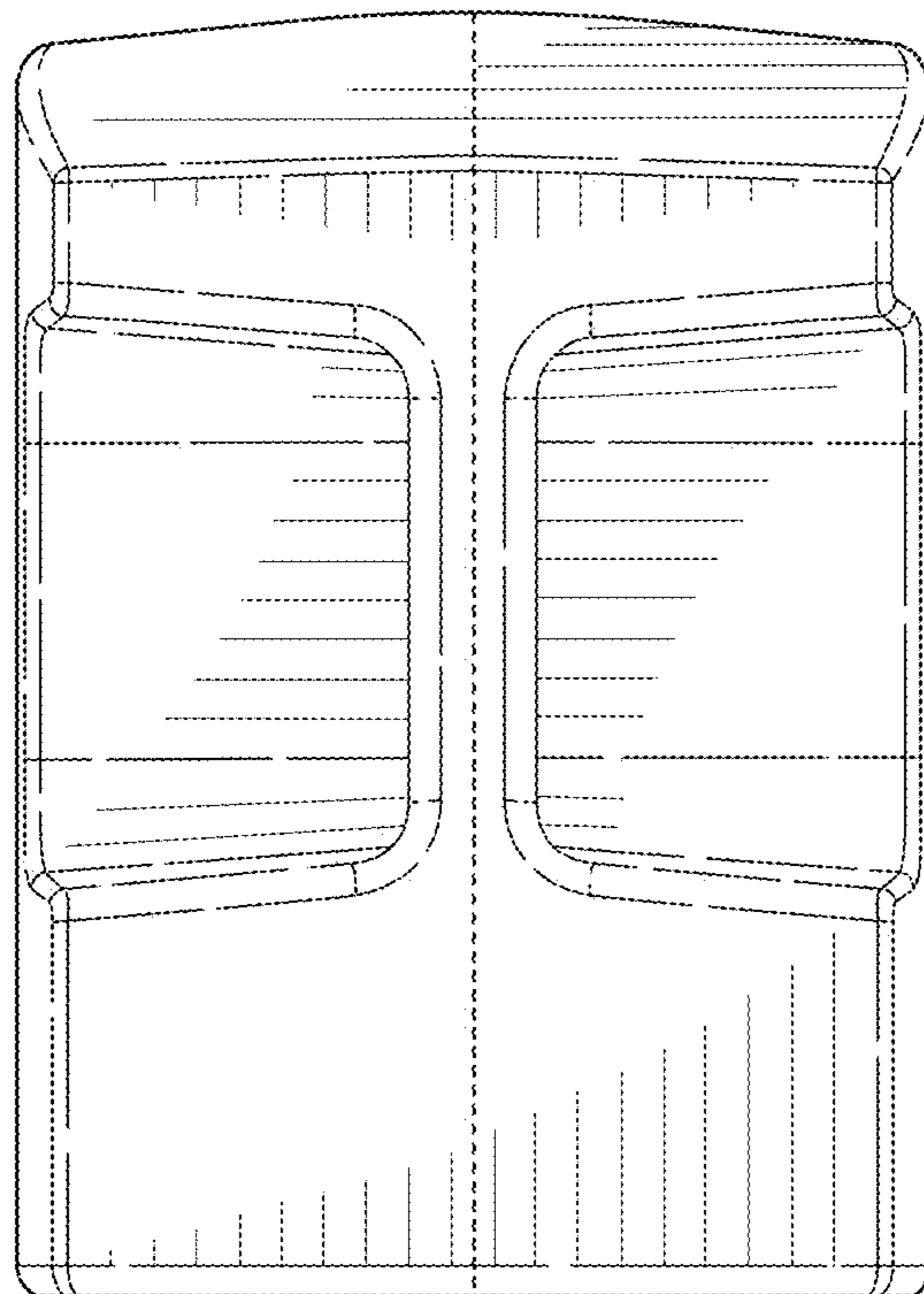


FIG. 7