



US00D920118S

(12) **United States Design Patent**
Heisner

(10) **Patent No.:** **US D920,118 S**

(45) **Date of Patent:** **** May 25, 2021**

- (54) **CONTAINER**
- (71) Applicant: **GRAHAM PACKAGING COMPANY, L.P.**, Lancaster, PA (US)
- (72) Inventor: **David Heisner**, Lancaster, PA (US)
- (73) Assignee: **GRAHAM PACKAGING COMPANY, L.P.**, Lancaster, PA (US)
- (**) Term: **15 Years**
- (21) Appl. No.: **29/701,944**
- (22) Filed: **Aug. 15, 2019**
- (51) **LOC (13) Cl.** **09-01**
- (52) **U.S. Cl.**
USPC **D9/500**
- (58) **Field of Classification Search**
USPC D9/434, 500, 503, 516, 530, 537-540,
D9/544-545, 549, 558, 682, 690-692,
D9/715, 719; D6/542; D28/91.1
CPC B65D 1/00; B65D 1/02; B65D 1/0223;
B65D 23/00; B65D 2501/00; B65D
2501/0009
See application file for complete search history.

- 3,811,588 A * 5/1974 Vermeerbergen B65D 1/0223
215/373
- D232,915 S * 9/1974 Becker D9/500
- D234,251 S * 2/1975 Edwards D9/500
- 3,967,995 A * 7/1976 Fabianic B65B 21/245
156/86
- D282,629 S * 2/1986 Stafford D9/500
- D289,012 S * 3/1987 Strand D9/500
- D818,826 S * 5/2018 Jovanovic D9/500
- D821,200 S * 6/2018 Harris D9/500
- D856,805 S * 8/2019 Moretti D9/500

* cited by examiner

Primary Examiner — Dana Meyrow

(74) *Attorney, Agent, or Firm* — Baker Botts L.L.P.

(57) **CLAIM**

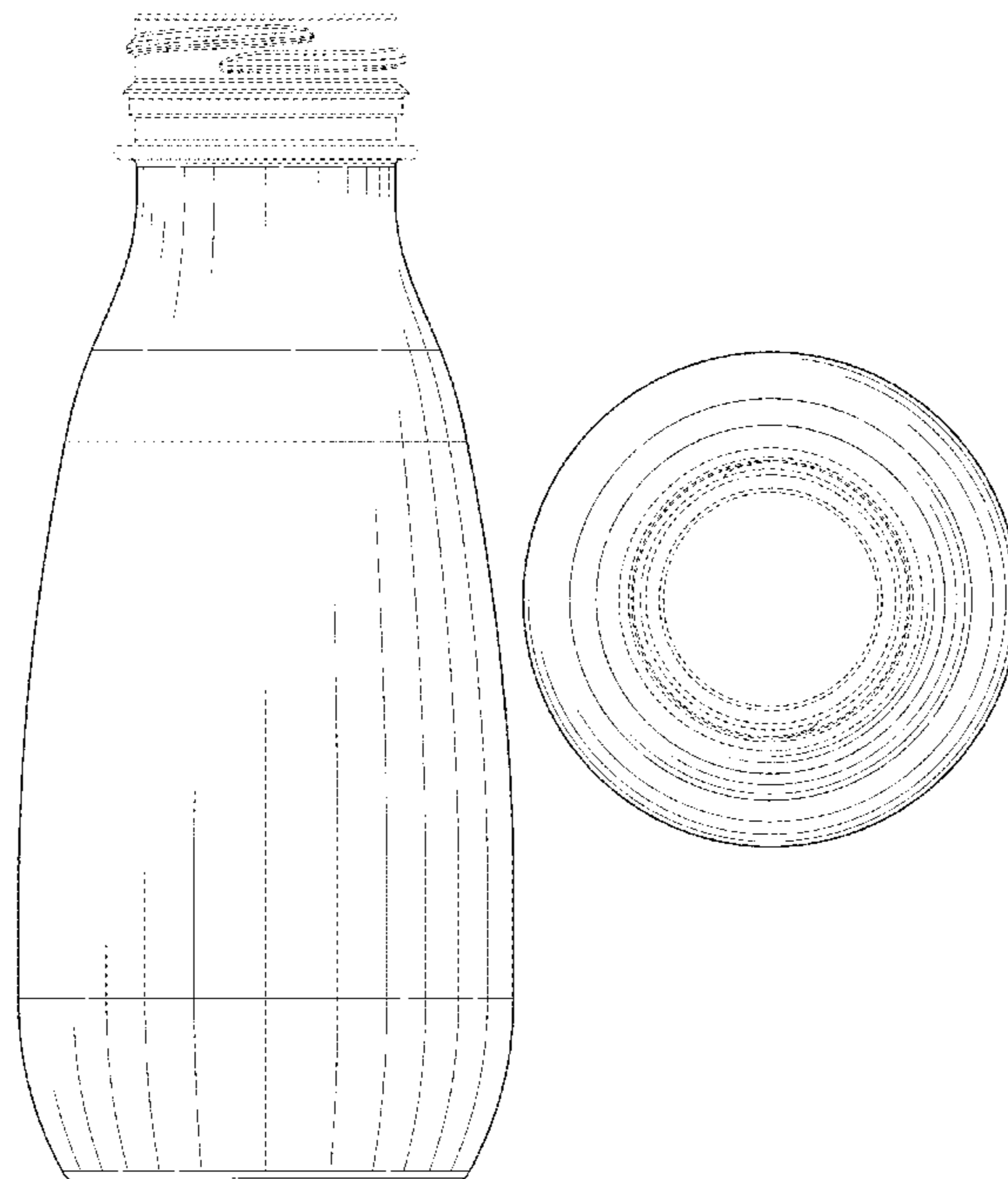
The ornamental design for a container, as shown and described.

DESCRIPTION

FIG. 1 is a front-top perspective view of the design for a container, according to the disclosed subject matter.
 FIG. 2 is a front-bottom perspective view of the container of FIG. 1.
 FIG. 3 is a front view of the container of FIG. 1.
 FIG. 4 is a back view of the container of FIG. 1.
 FIG. 5 is a left side view of the container of FIG. 1.
 FIG. 6 is a right side view of the container of FIG. 1.
 FIG. 7 is a top view of the container of FIG. 1; and,
 FIG. 8 is a bottom view of the container of FIG. 1.
 The broken lines shown throughout these figures illustrate portions of the container that form no part of the claimed design.

1 Claim, 7 Drawing Sheets

- (56) **References Cited**
U.S. PATENT DOCUMENTS
- D122,058 S * 8/1940 Niver D9/500
- 3,118,573 A * 1/1964 Krogstadale B65D 1/32
222/212
- 3,143,250 A * 8/1964 Pengue B65D 83/38
222/182
- D217,847 S * 6/1970 Jenkins et al. D9/500
- 3,643,829 A * 2/1972 Lachner B65D 1/0223
215/373
- D223,143 S * 3/1972 Becker D9/500



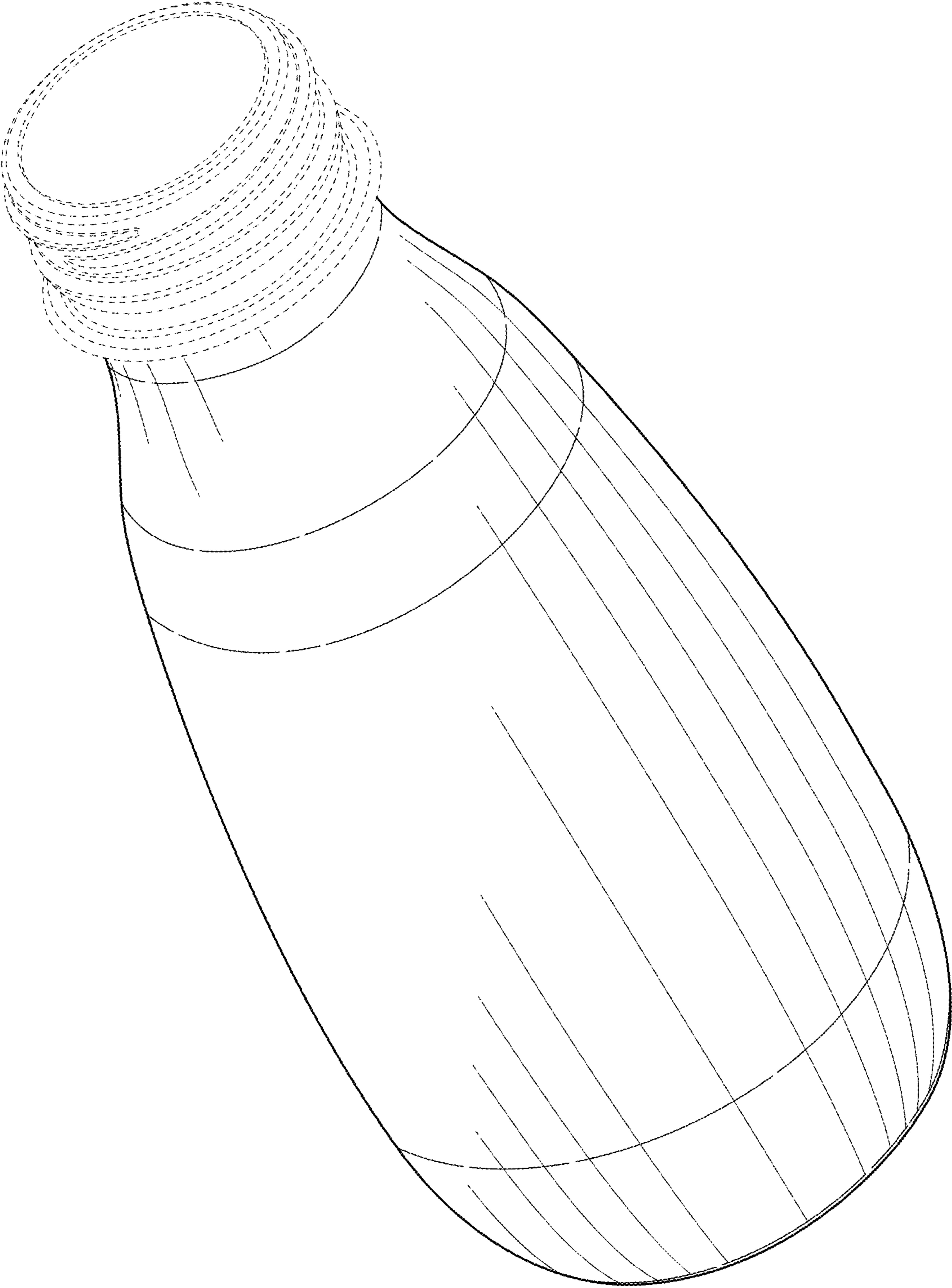


FIG. 1

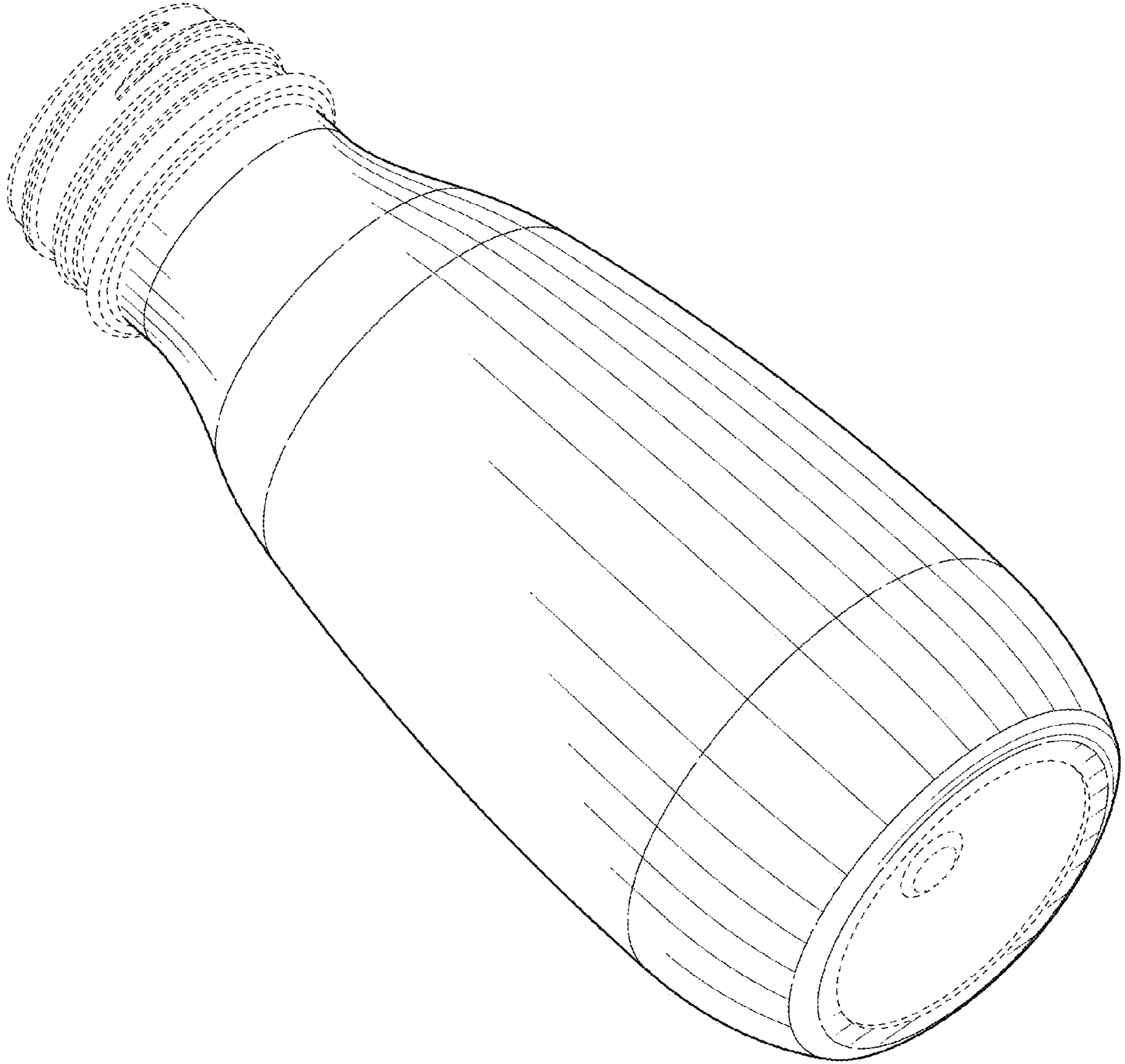


FIG. 2

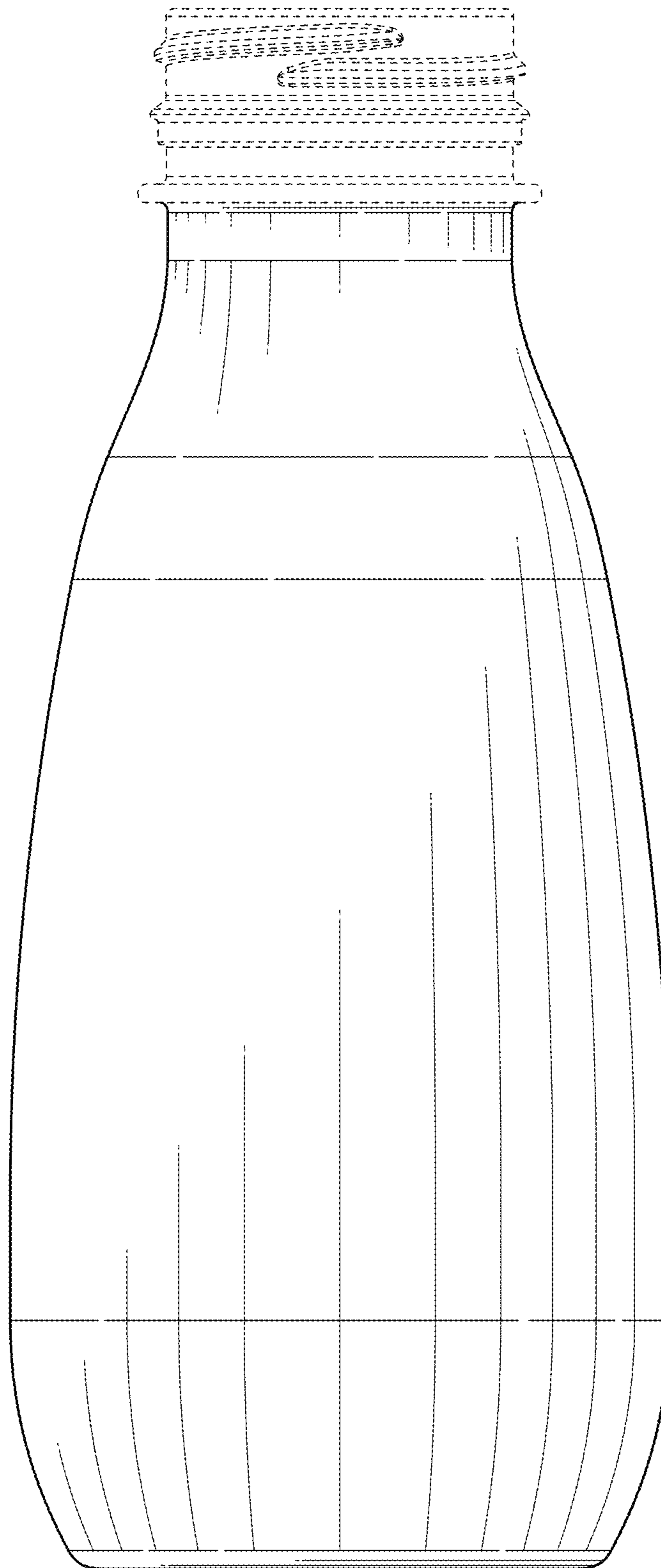


FIG. 3

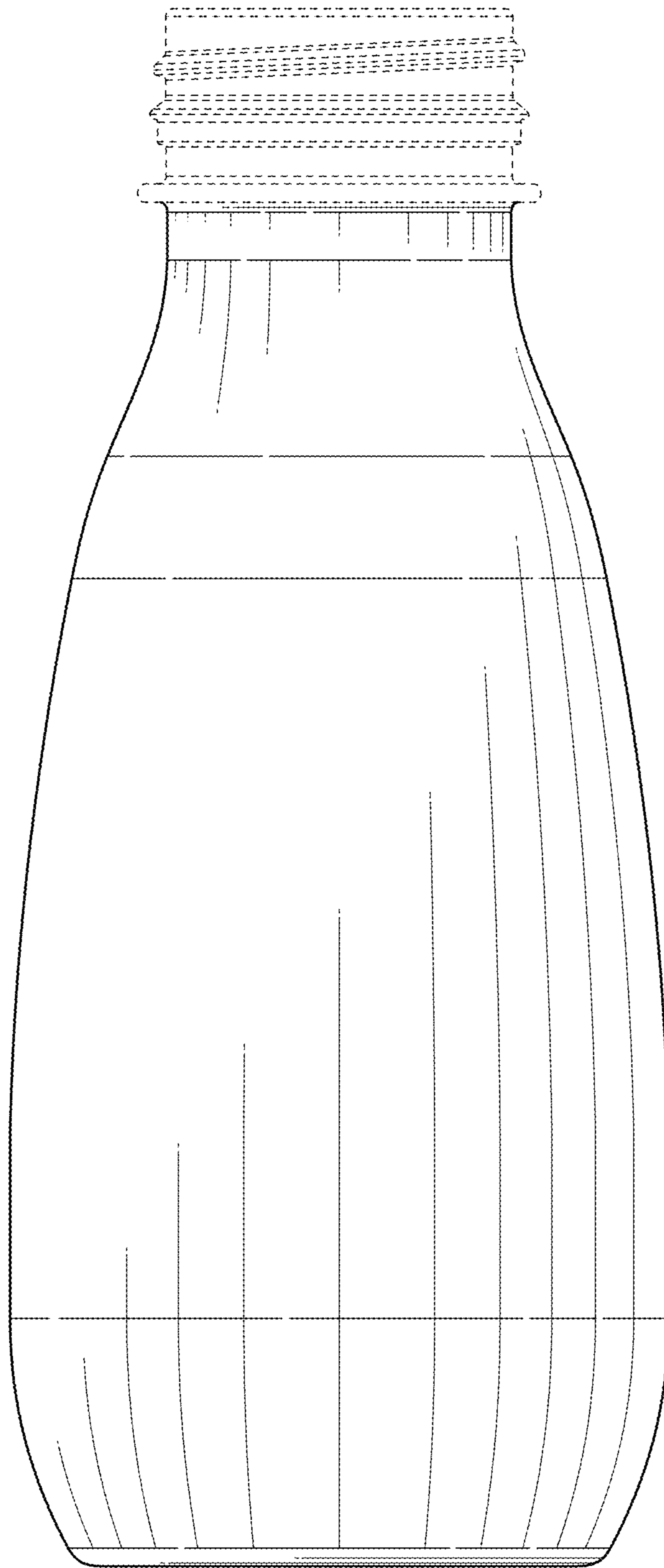


FIG. 4

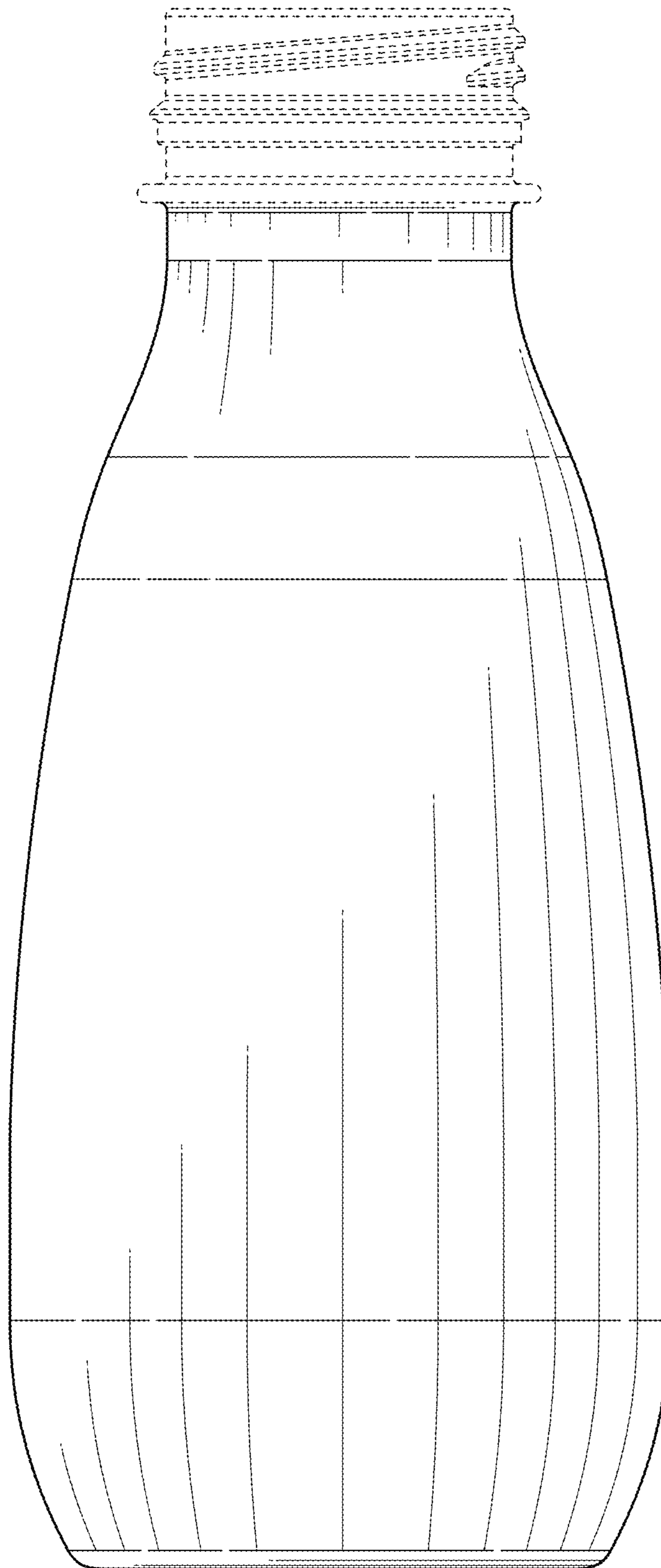


FIG. 5

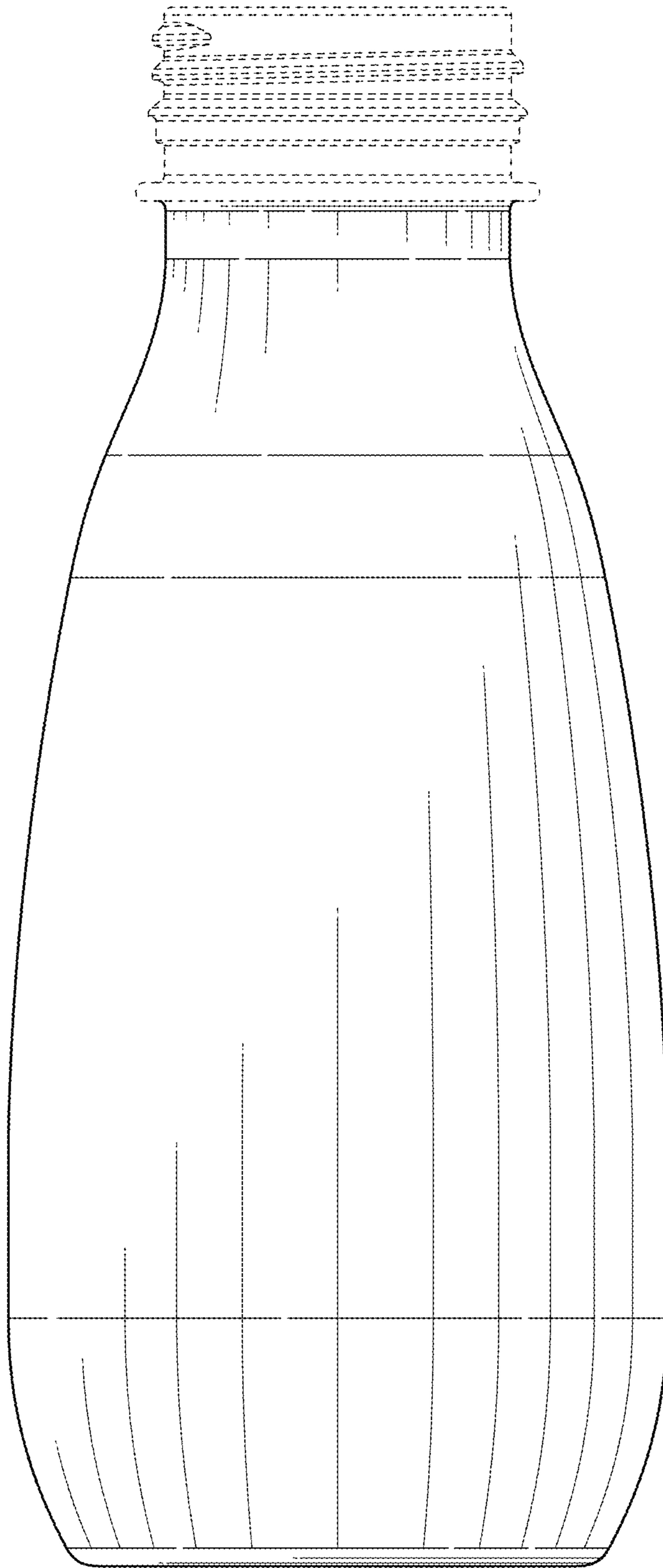


FIG. 6

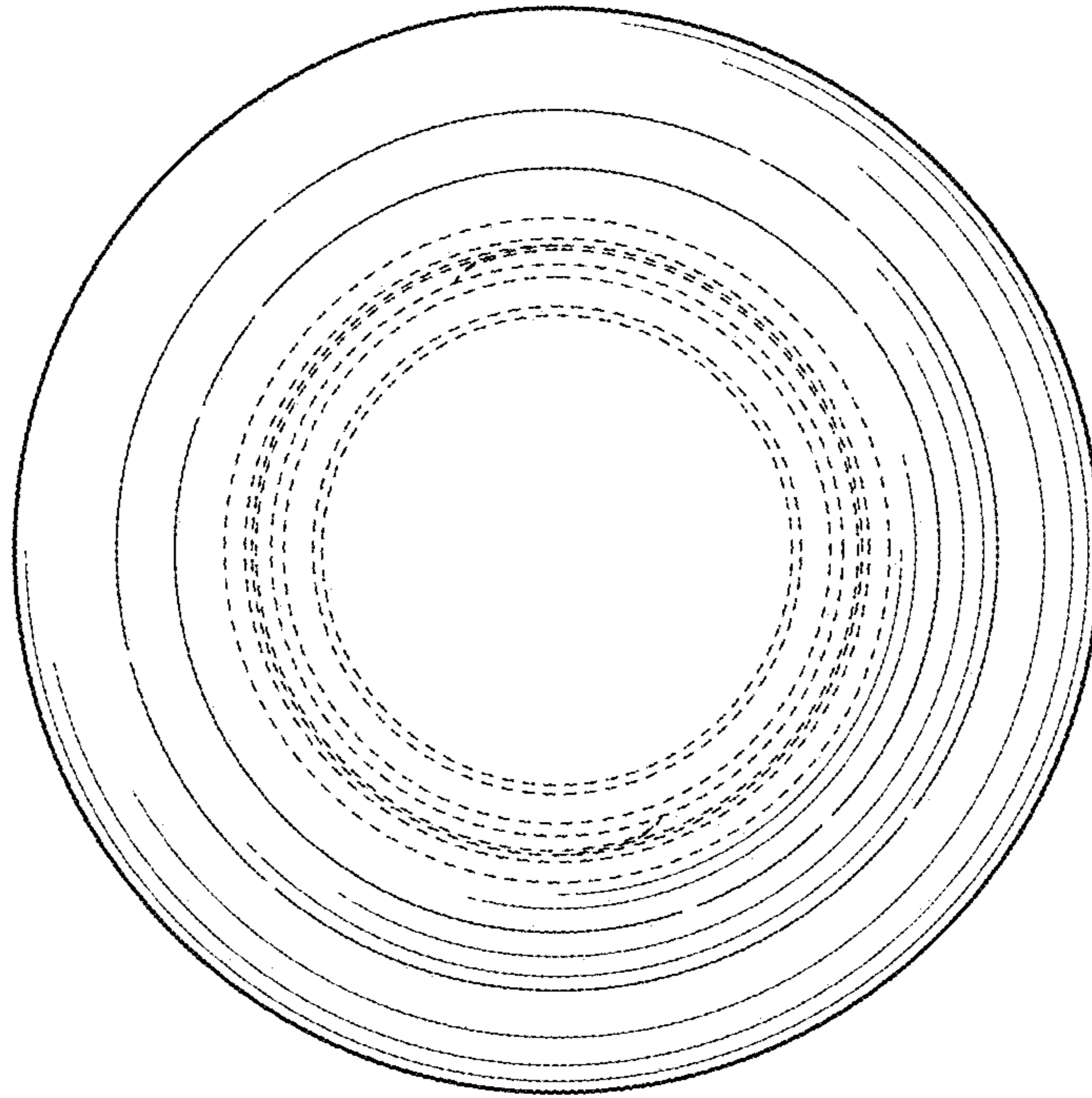


FIG. 7

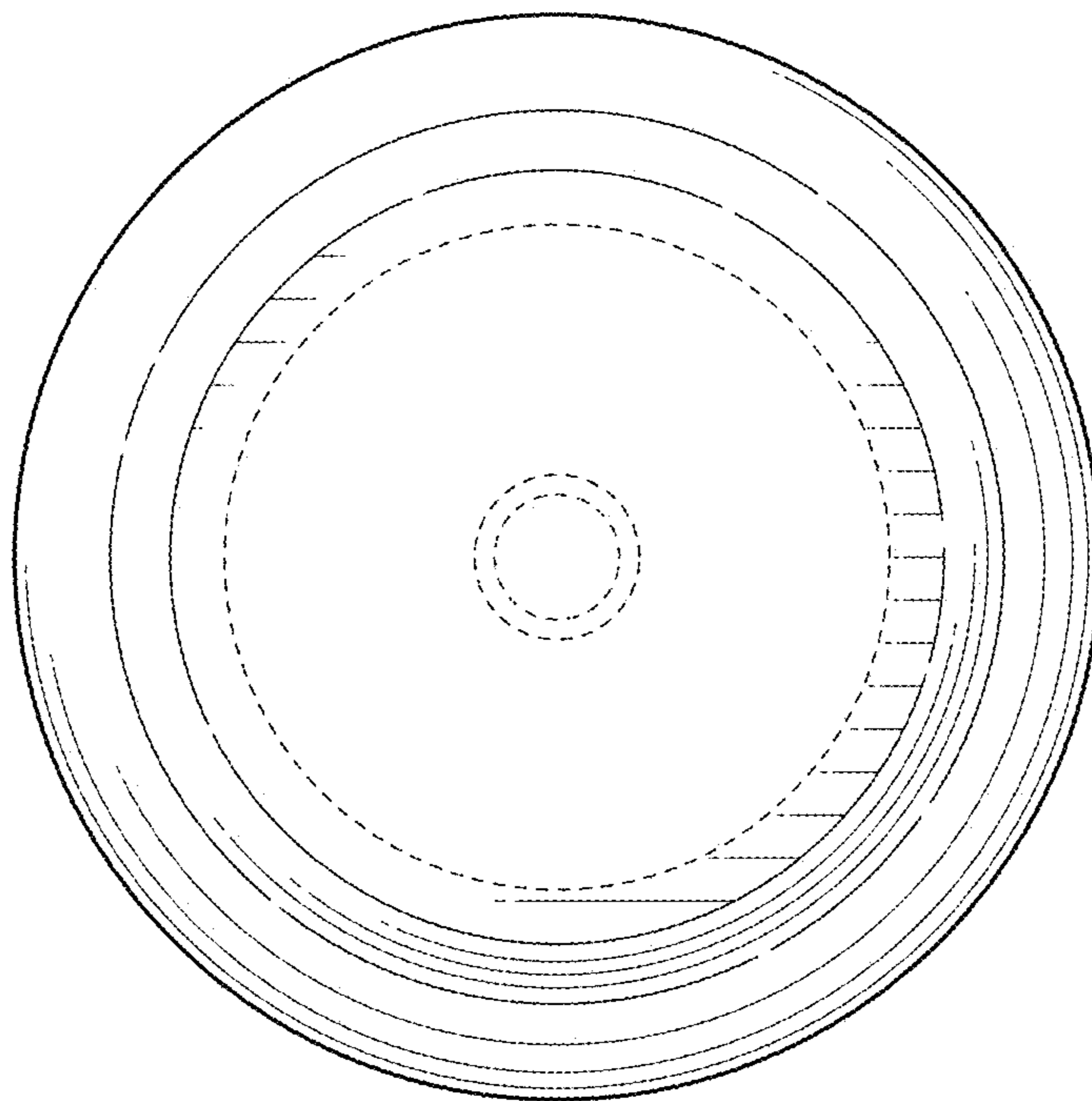


FIG. 8