



US00D920115S

(12) **United States Design Patent**
Lee

(10) **Patent No.:** **US D920,115 S**

(45) **Date of Patent:** **** May 25, 2021**

(54) **COMBINATION BUCKET LID AND STAND**

(71) Applicant: **San Fu Lee**, Tampa, FL (US)

(72) Inventor: **San Fu Lee**, Tampa, FL (US)

(**) Term: **15 Years**

(21) Appl. No.: **29/707,794**

(22) Filed: **Oct. 1, 2019**

(51) **LOC (13) Cl.** **09-07**

(52) **U.S. Cl.**
USPC **D9/455; D9/454**

(58) **Field of Classification Search**
USPC D3/200, 201, 202, 203.1, 203.2, 318,
D3/320; D7/509, 510, 511, 601, 602,
D7/624.1, 387, 391, 392, 392.1, 396.1,
D7/396.2, 397, 398, 678, 679, 372;
D9/428, 434, 435, 436, 439, 440, 443,
D9/447, 449, 450, 454, 455
CPC B65D 81/261; B65D 21/0217; B65D
21/0223; B65D 25/04; B65D 25/24;
B65D 43/0204; B65D 65/466; B65D
85/30; B65D 85/70; B65D 2543/00092;
B65D 2543/00296; B65D 2543/00361;
B65D 2543/00416; B65D 2543/00574;
B65D 47/122; B65D 47/066; B65D
1/0223; B65D 1/02; A47J 47/145; A47G
19/2211; A47G 19/2216; A47G 19/22;
A47G 2019/2238

See application file for complete search history.

(56) **References Cited**

U.S. PATENT DOCUMENTS

2,928,372 A * 3/1960 Farley A01K 5/0114
119/61.54
3,606,074 A * 9/1971 Hayes B65D 25/24
220/212
3,622,036 A * 11/1971 Bongaerts A01K 5/0114
220/574
3,746,159 A * 7/1973 May B65F 1/06
206/527

D286,026 S * 10/1986 Rayner D9/435
D313,486 S * 1/1991 Conner D30/121
D313,487 S * 1/1991 Conner D30/129
D317,697 S * 6/1991 Lage D7/392.1
5,143,247 A * 9/1992 Gavle A47G 23/0216
220/630
D397,062 S * 8/1998 Hollington D11/164

(Continued)

OTHER PUBLICATIONS

Kiki Silicone Bumpers: Announced [Feb. 21, 2018 (online)]. Site visited [Dec. 1, 2020]. Available from Internet URL: <https://www.purastainless.com/products/pura-kiki-silicone-bumpers#shopify-product-reviews>.*

Primary Examiner — Catherine S Posthauer
(74) *Attorney, Agent, or Firm* — Smith & Hopen, P.A.;
Paul Murty

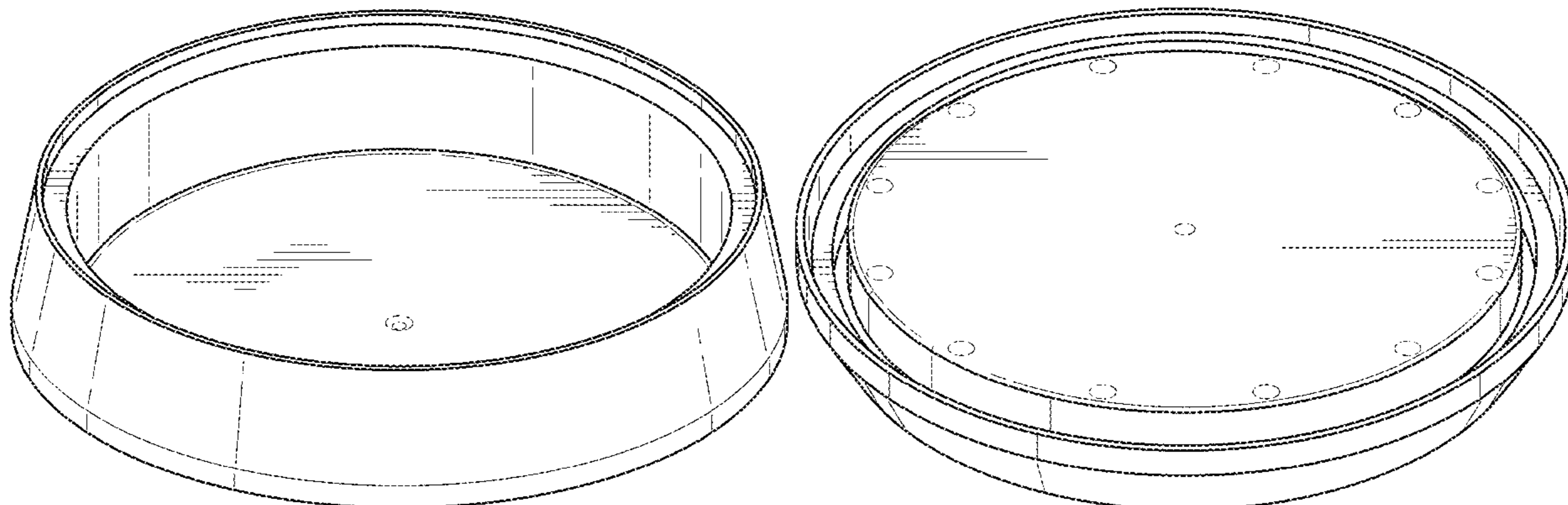
(57) **CLAIM**

The ornamental design for a combination bucket lid and stand, as shown and described.

DESCRIPTION

FIG. 1 is a top-side perspective view of a combination bucket lid and stand.
FIG. 2 is a bottom-side perspective view thereof.
FIG. 3 is a side elevation view thereof.
FIG. 4 is a side elevation view thereof.
FIG. 5 is a side elevation view thereof.
FIG. 6 is a side elevation view thereof.
FIG. 7 is a top plan view thereof.
FIG. 8 is a bottom plan view thereof.
FIG. 9 is a top perspective view thereof, shown in a position of use with an exemplary bucket; and,
FIG. 10 is a top perspective view thereof, shown in another position of use with an exemplary bucket.
The broken lines are shown for the purpose of illustrating both parts of the article as well as environmental subject matter. None of the broken lines form part of the claimed design.

1 Claim, 5 Drawing Sheets



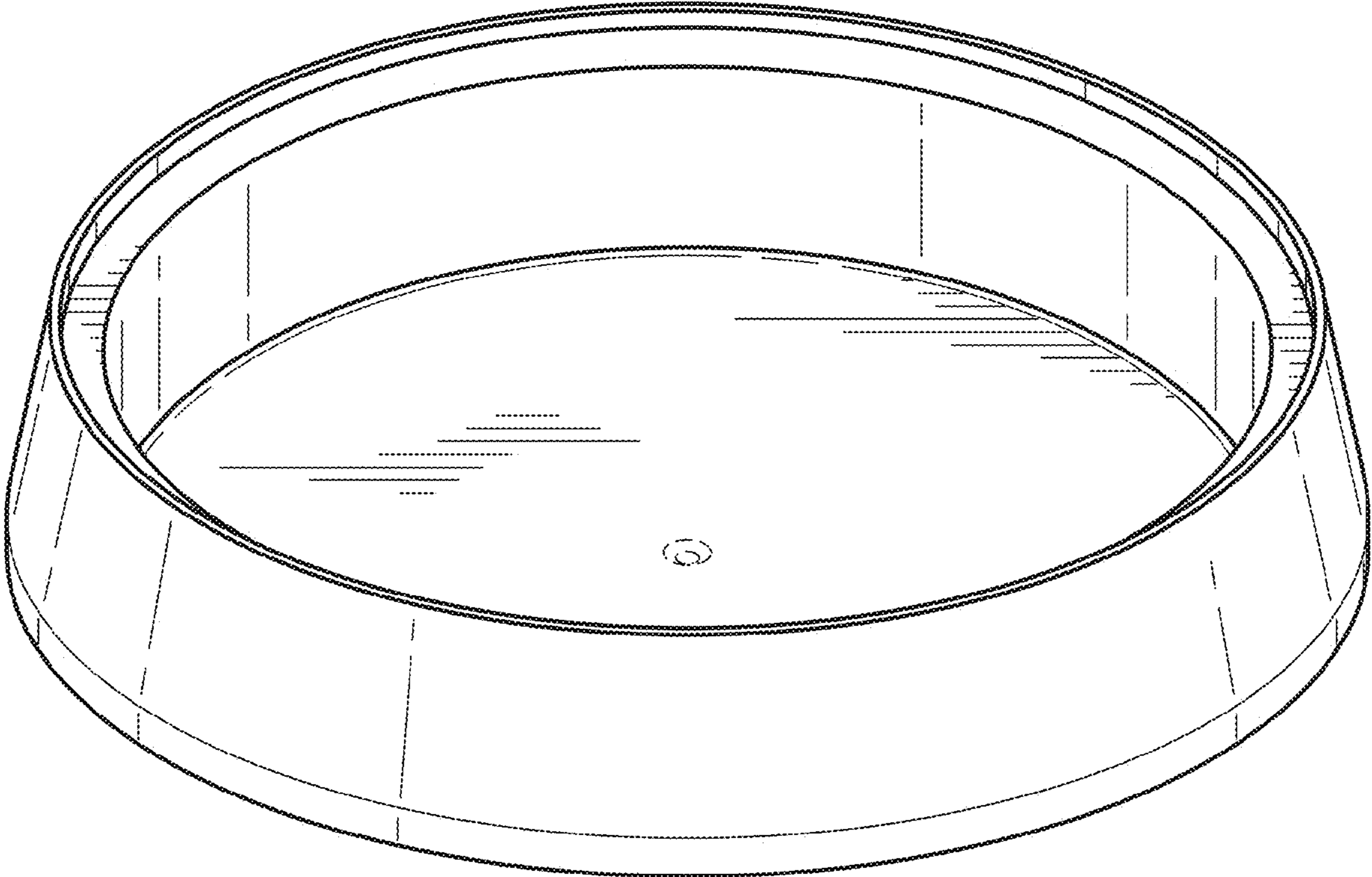


FIG. 1

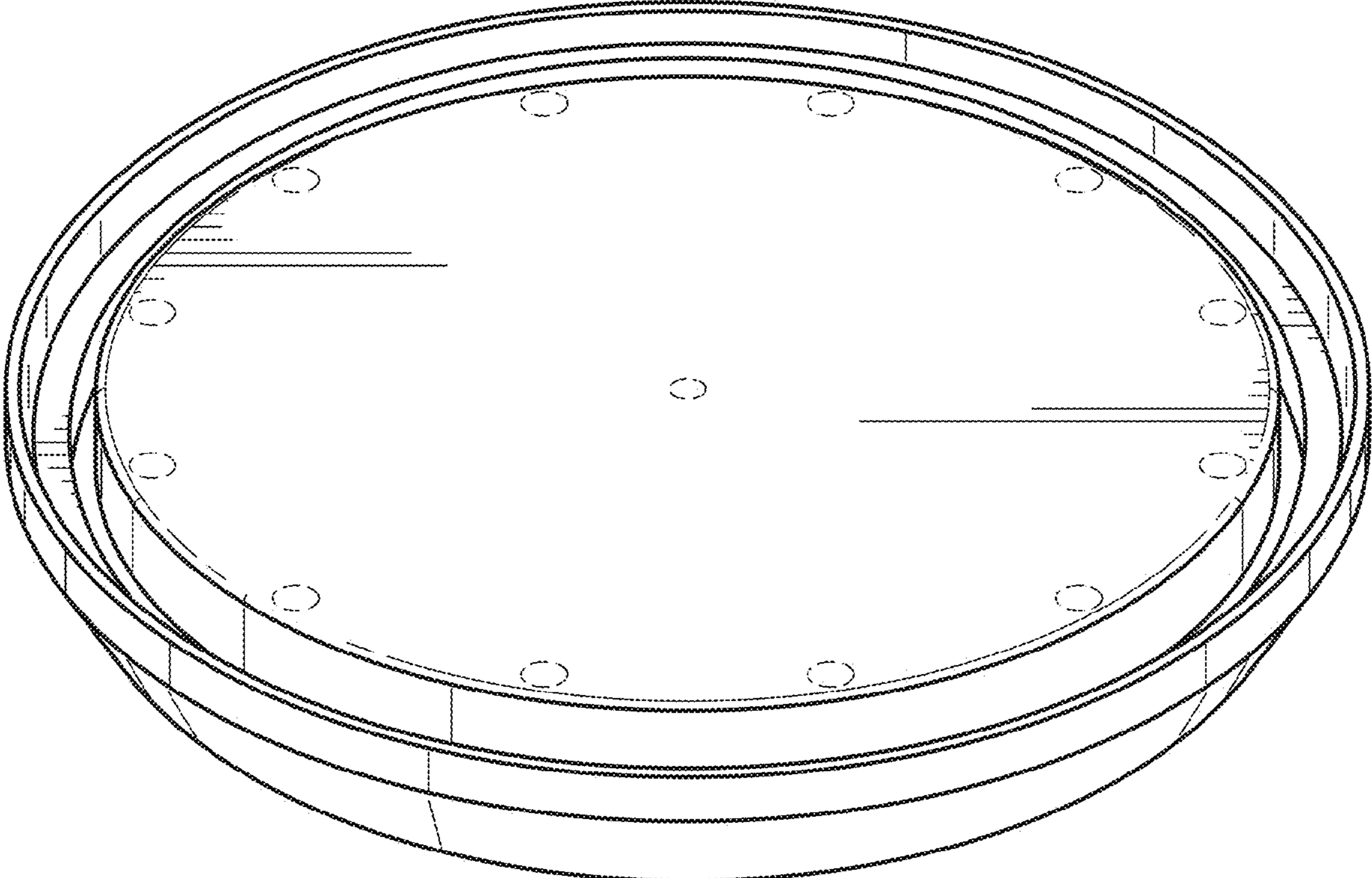


FIG. 2

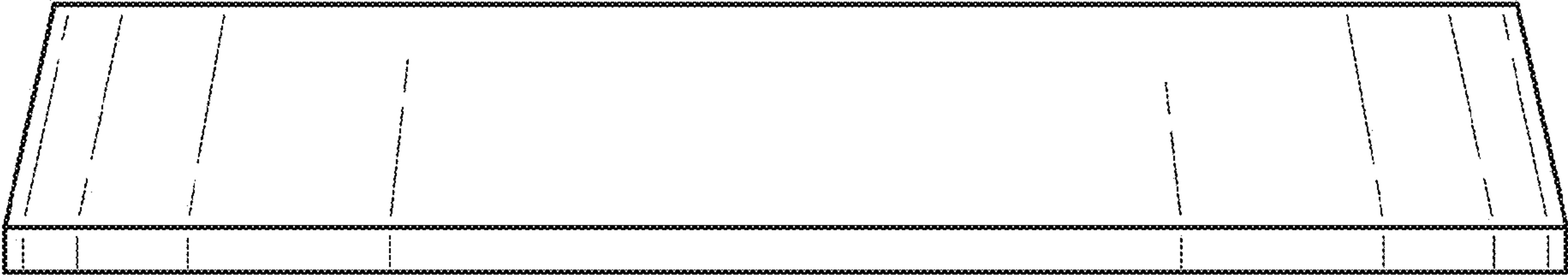


FIG. 3



FIG. 4



FIG. 5



FIG. 6

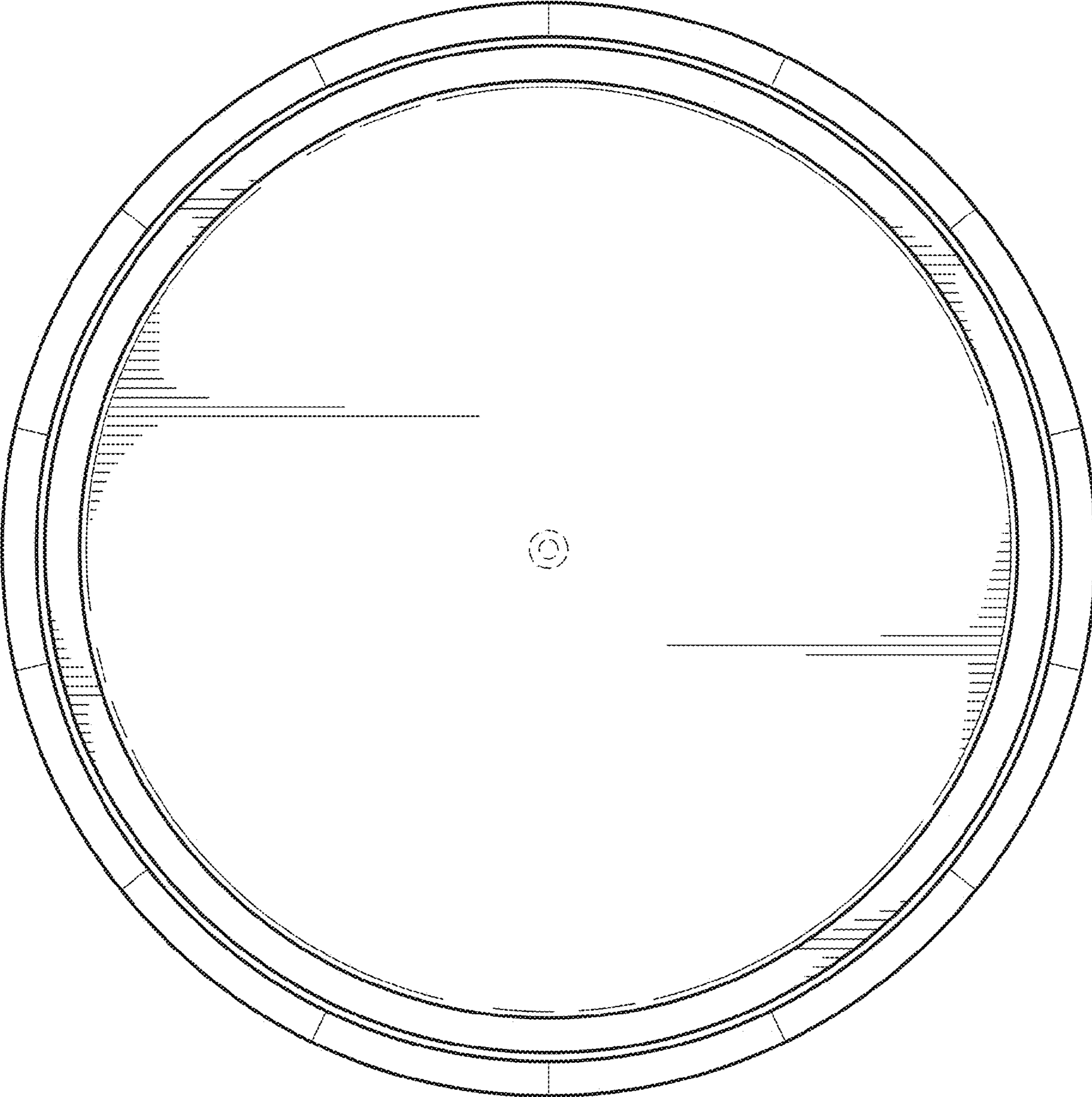


FIG. 7

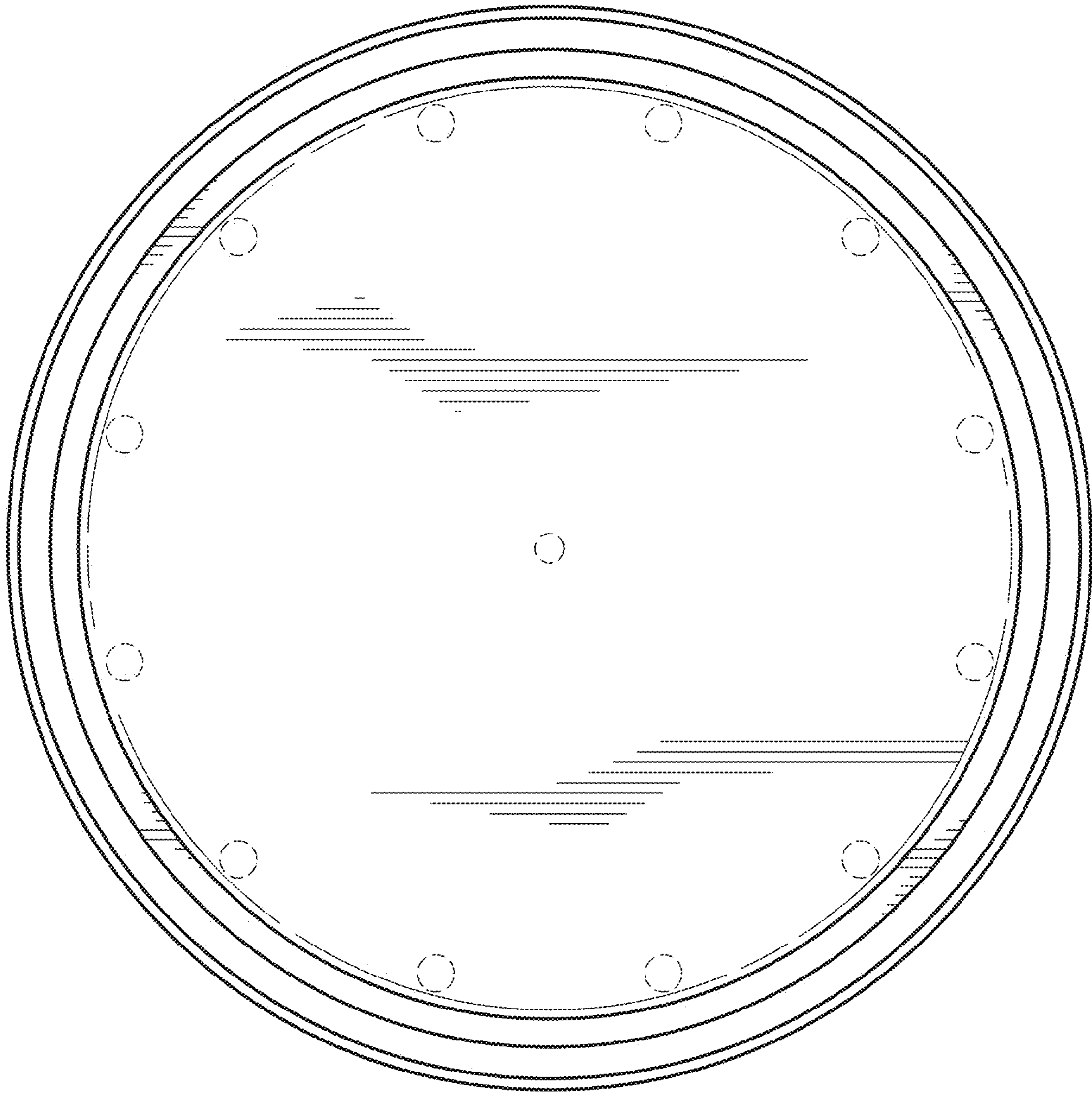


FIG. 8

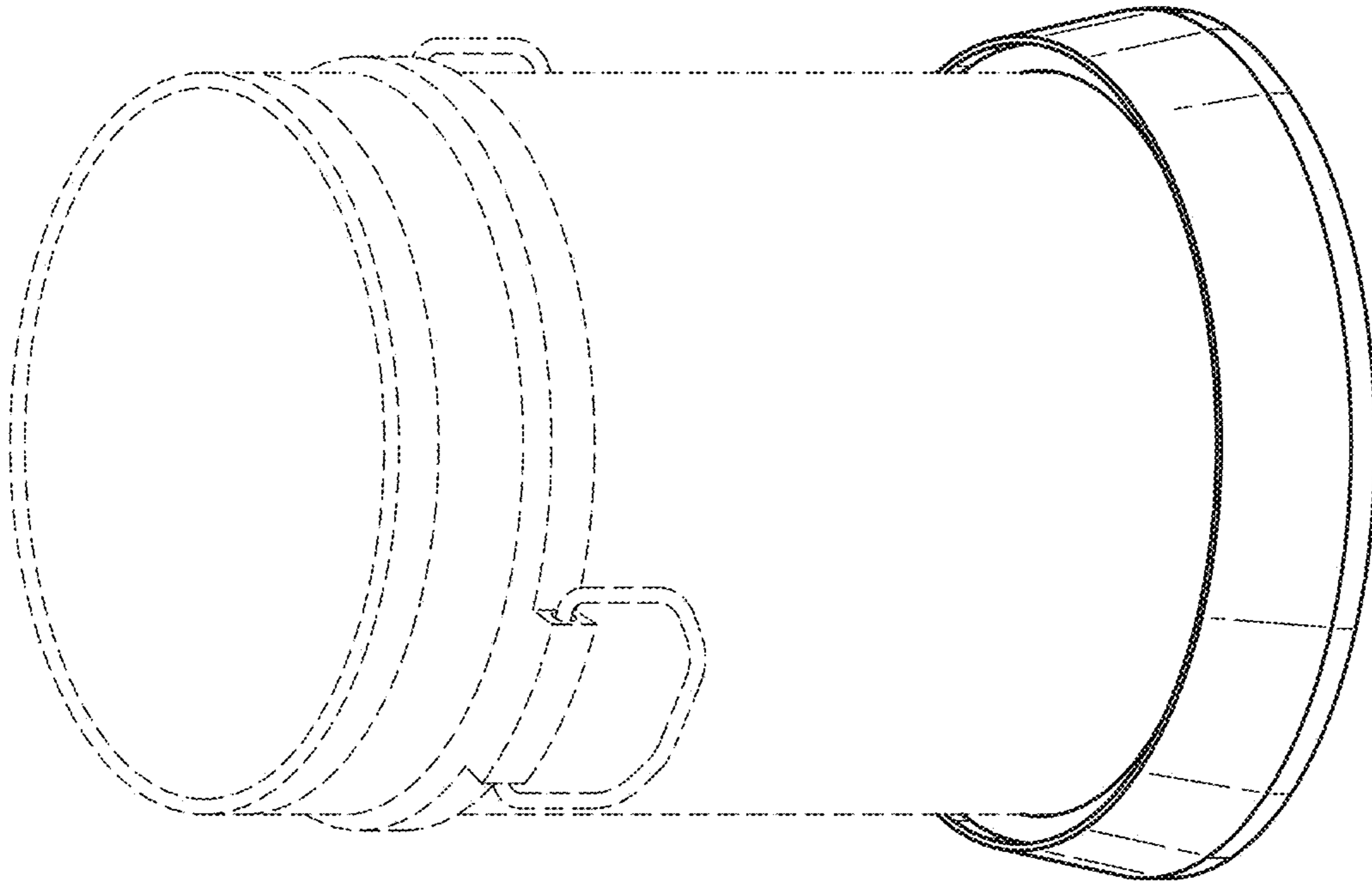


FIG. 10

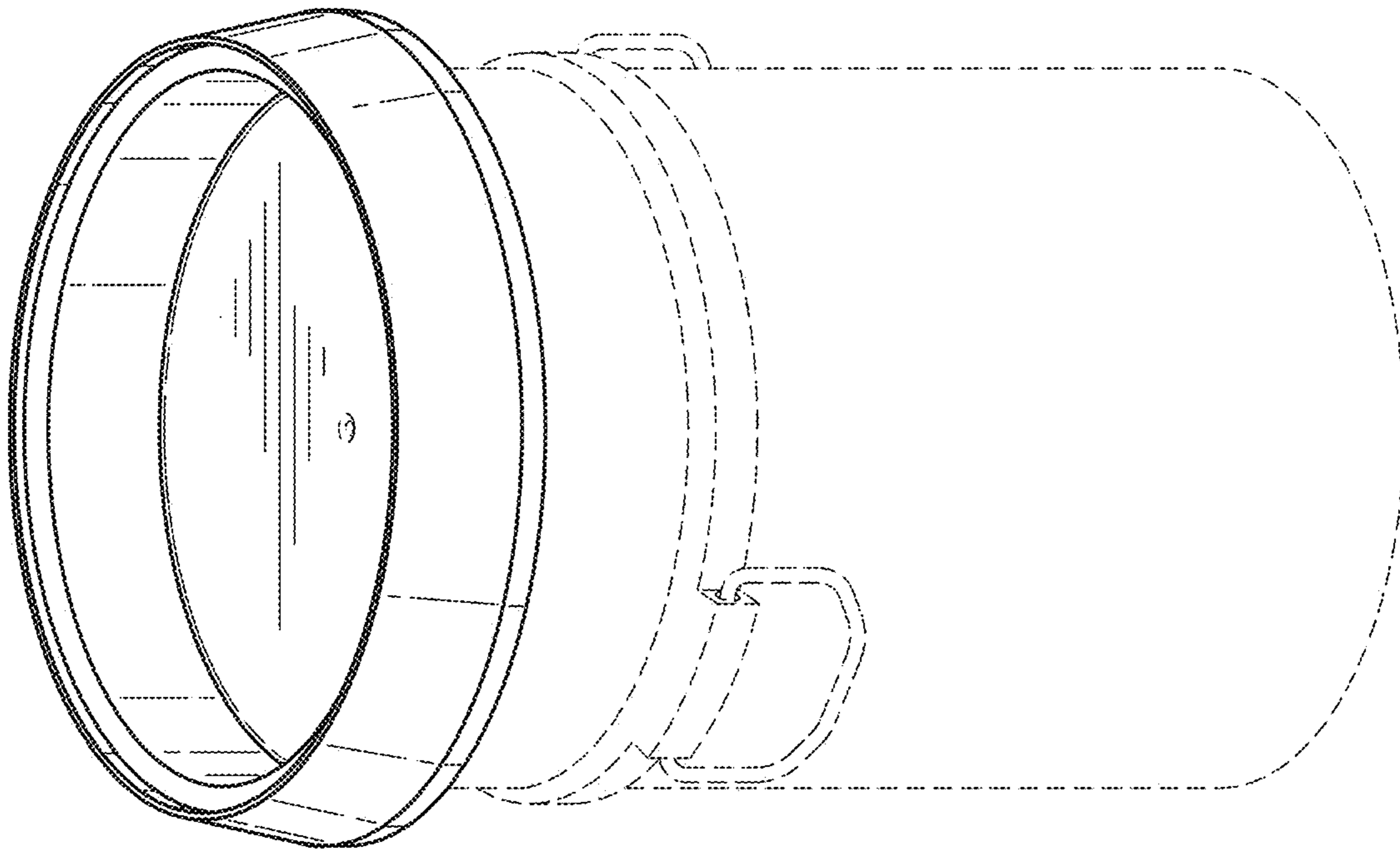


FIG. 9