



US00D920114S

(12) **United States Design Patent**  
**Reeve et al.**

(10) **Patent No.:** **US D920,114 S**  
(45) **Date of Patent:** **\*\* May 25, 2021**

- (54) **COMBINED SPOUT AND CAP**
- (71) Applicant: **Conopco, Inc.**, Englewood Cliffs, NJ (US)
- (72) Inventors: **Jeffrey Alan Reeve**, Rushden (GB);  
**Paul Leonard Sherwood**, Rushden (GB)
- (73) Assignee: **Conopco, Inc.**, Englewood Cliffs, NJ (US)

D636,672 S \* 4/2011 Lohrman ..... D9/438  
 D799,890 S \* 10/2017 McClory ..... D7/375  
 D867,882 S \* 11/2019 Arminak ..... B65D 50/041  
 D9/449  
 D879,551 S \* 3/2020 Byrd ..... D7/392.1  
 2017/0006995 A1\* 1/2017 Lin ..... B65D 43/16

**FOREIGN PATENT DOCUMENTS**

EM 00204183-0001 5/2012

**OTHER PUBLICATIONS**

Packaging World. Unilever tries self-piercing closure. Feb. 29, 2004. <https://www.packworld.com/design/materials-containers/article/13337988/unilever-tries-selfpiercing-closure> (Year: 2004).  
 Co-pending U.S. Appl. No. 29/692,261, filed May 23, 2019, entitled Graphics For Food Package.

\* cited by examiner

*Primary Examiner* — Darcey E Gottschalk  
 (74) *Attorney, Agent, or Firm* — Gerard J. McGowan, Jr.

- (\*\*) Term: **15 Years**
- (21) Appl. No.: **29/692,264**
- (22) Filed: **May 23, 2019**
- (30) **Foreign Application Priority Data**  
 Nov. 28, 2018 (EM) ..... 005837861-0001
- (51) **LOC (13) Cl.** ..... **09-07**
- (52) **U.S. Cl.**  
 USPC ..... **D9/451**; D9/446; D9/447
- (58) **Field of Classification Search**  
 USPC ..... D9/434-436, 440, 443, 445, 447-450,  
 D9/454, 499, 453, 437, 441, 446, 451,  
 D9/669, 728; D7/392.1, 396.2  
 CPC ..... B65D 43/164; B65D 43/22  
 See application file for complete search history.

(57) **CLAIM**

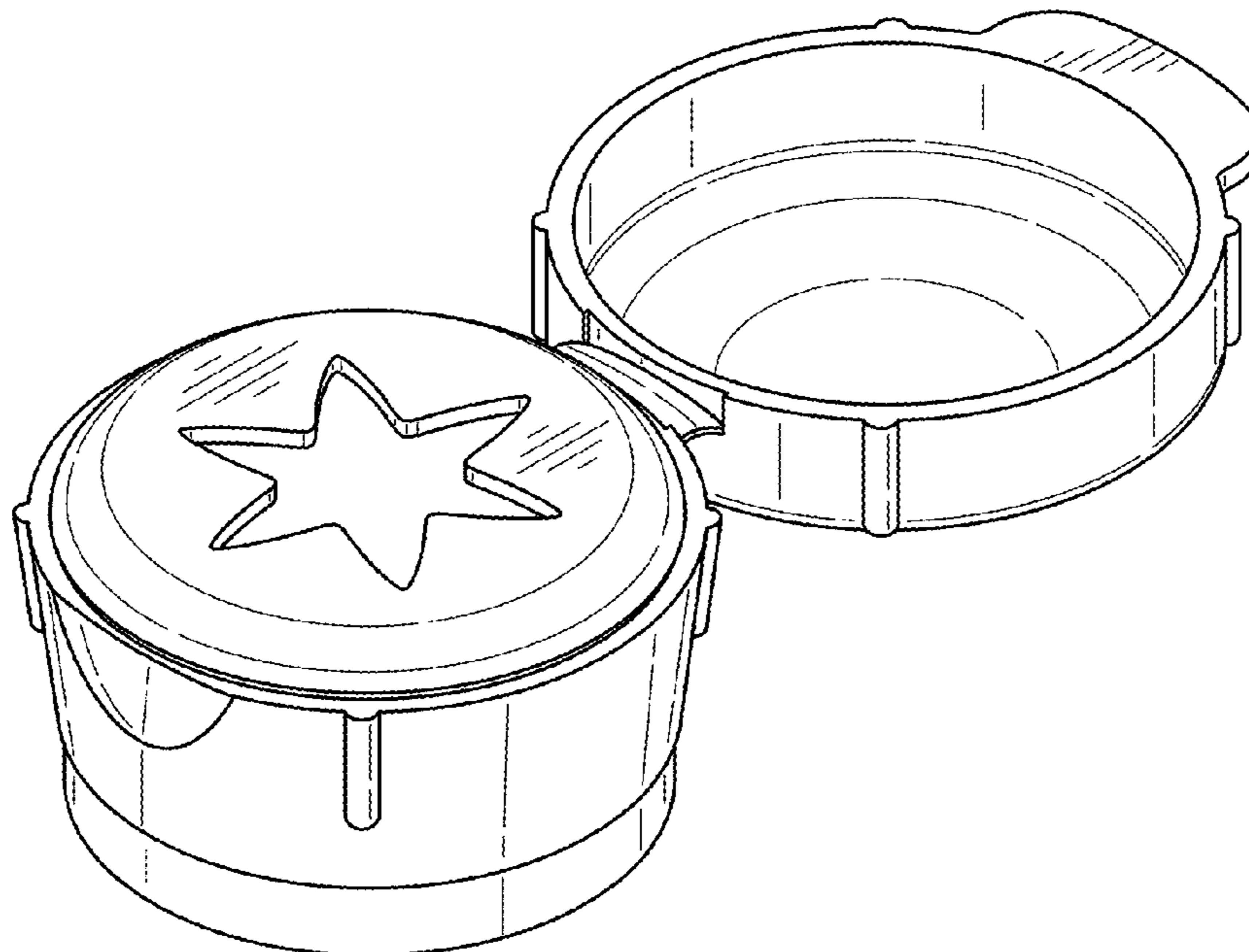
The ornamental design for a combined spout and cap, as shown and described.

**DESCRIPTION**

FIG. 1 is a perspective view of our new design;  
 FIG. 2 is a front elevation view thereof;  
 FIG. 3 is a rear elevation view thereof;  
 FIG. 4 is a left side elevation view thereof;  
 FIG. 5 is a right side elevation view thereof;  
 FIG. 6 is a top plan view thereof; and,  
 FIG. 7 is a bottom plan view thereof.

**1 Claim, 4 Drawing Sheets**

- (56) **References Cited**  
 U.S. PATENT DOCUMENTS  
 1,695,677 A \* 12/1928 Barany ..... A45D 33/16  
 132/299  
 D258,201 S \* 2/1981 Cassini ..... D9/529  
 D457,432 S \* 5/2002 Peabody ..... D12/607  
 D516,911 S \* 3/2006 Bloom ..... D9/453



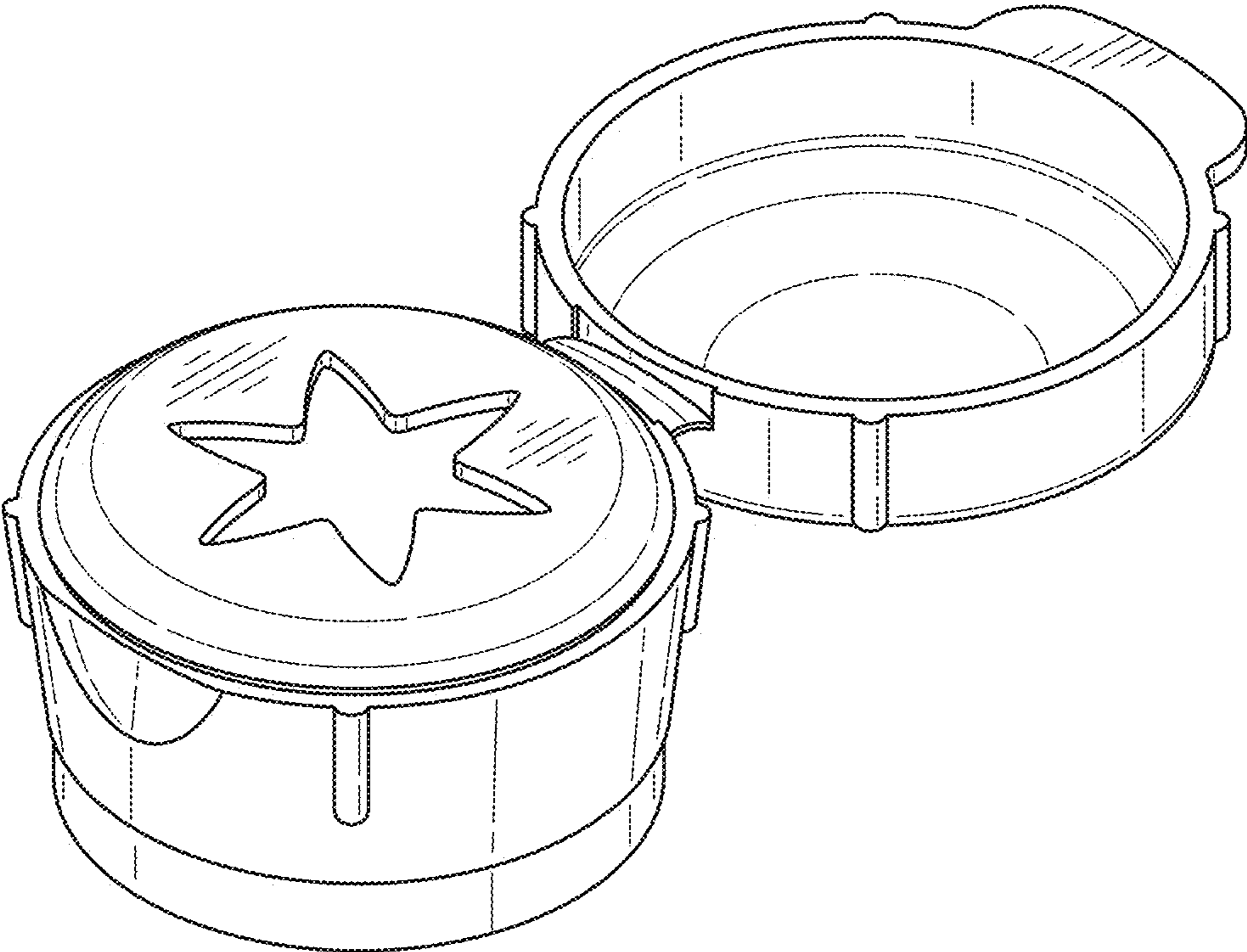


Fig. 1

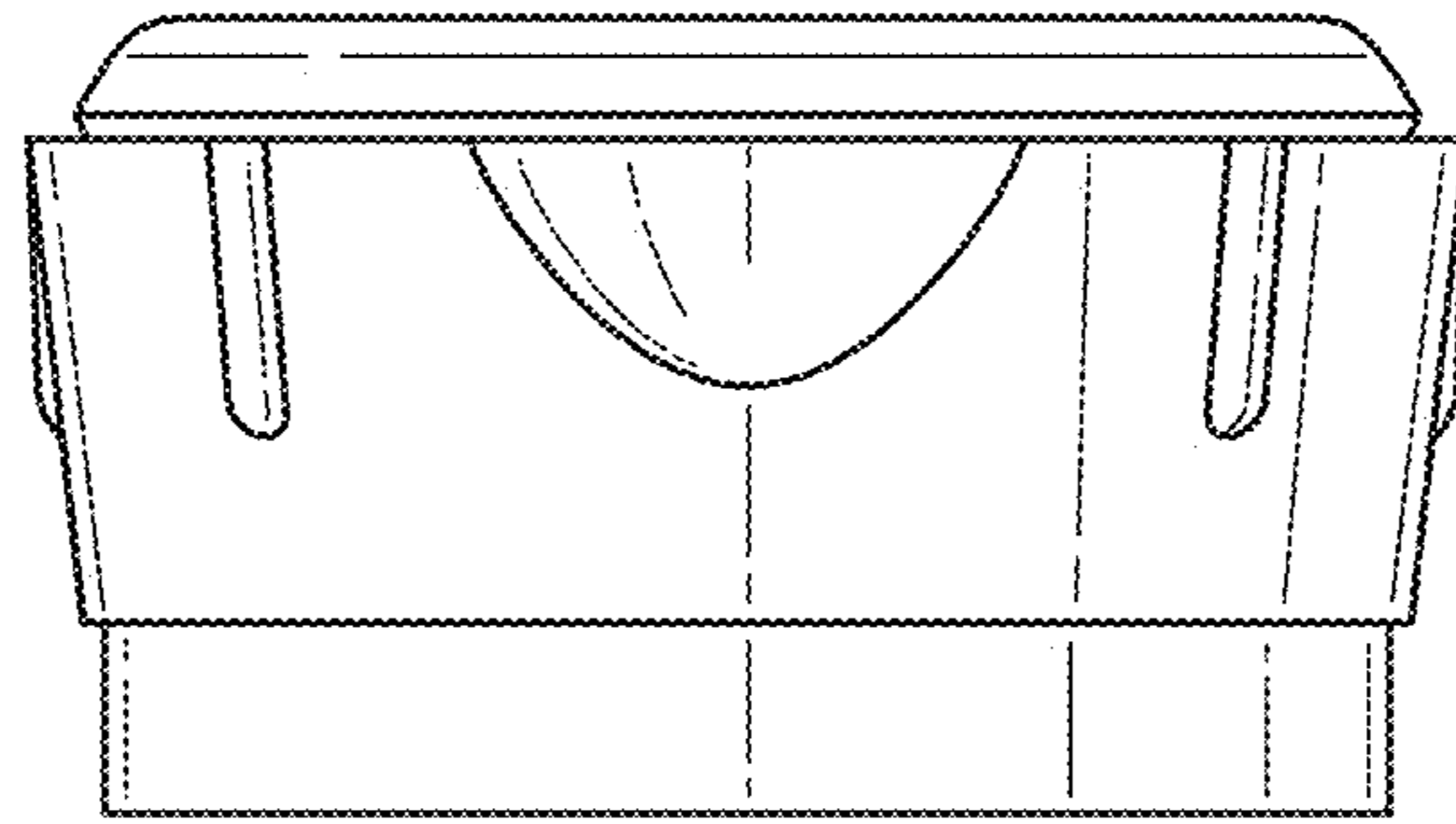


Fig. 2

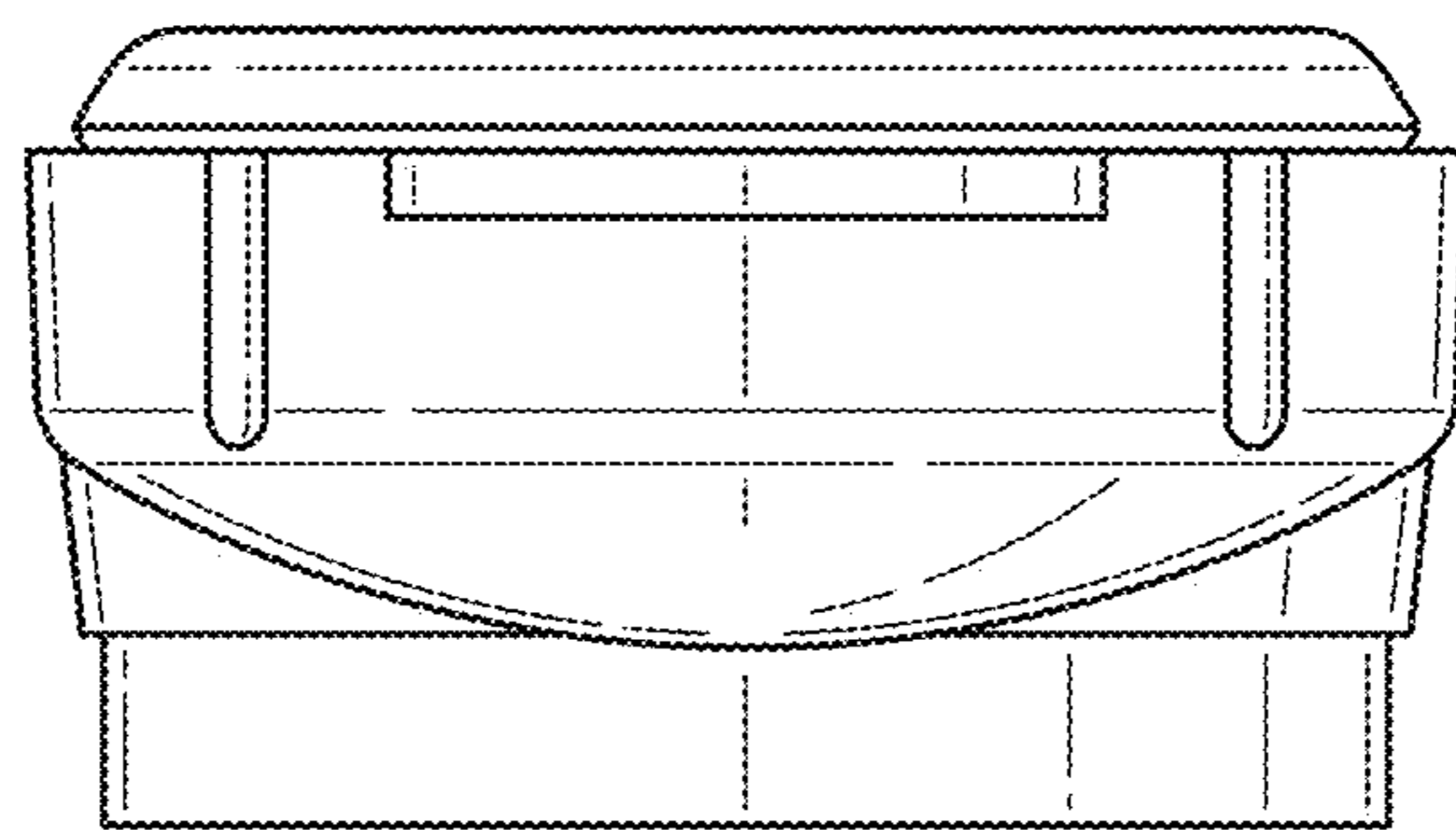


Fig. 3

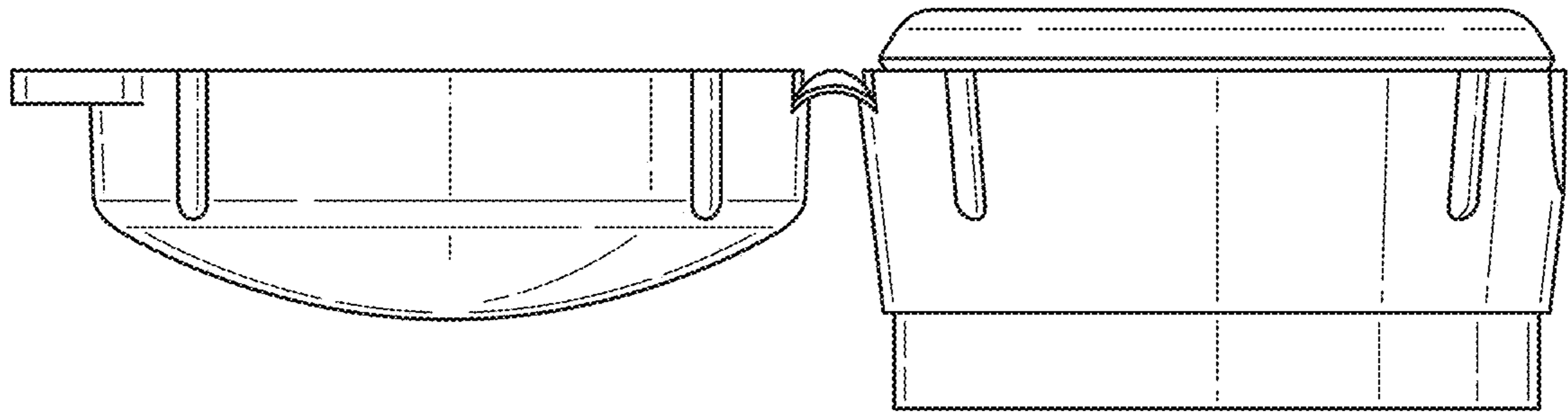


Fig. 4

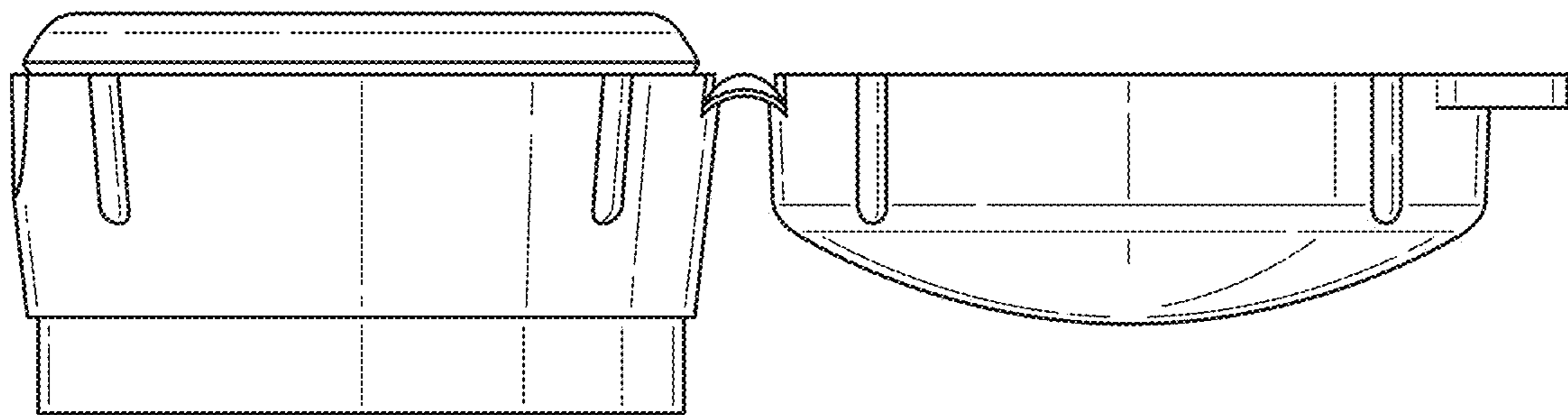


Fig. 5

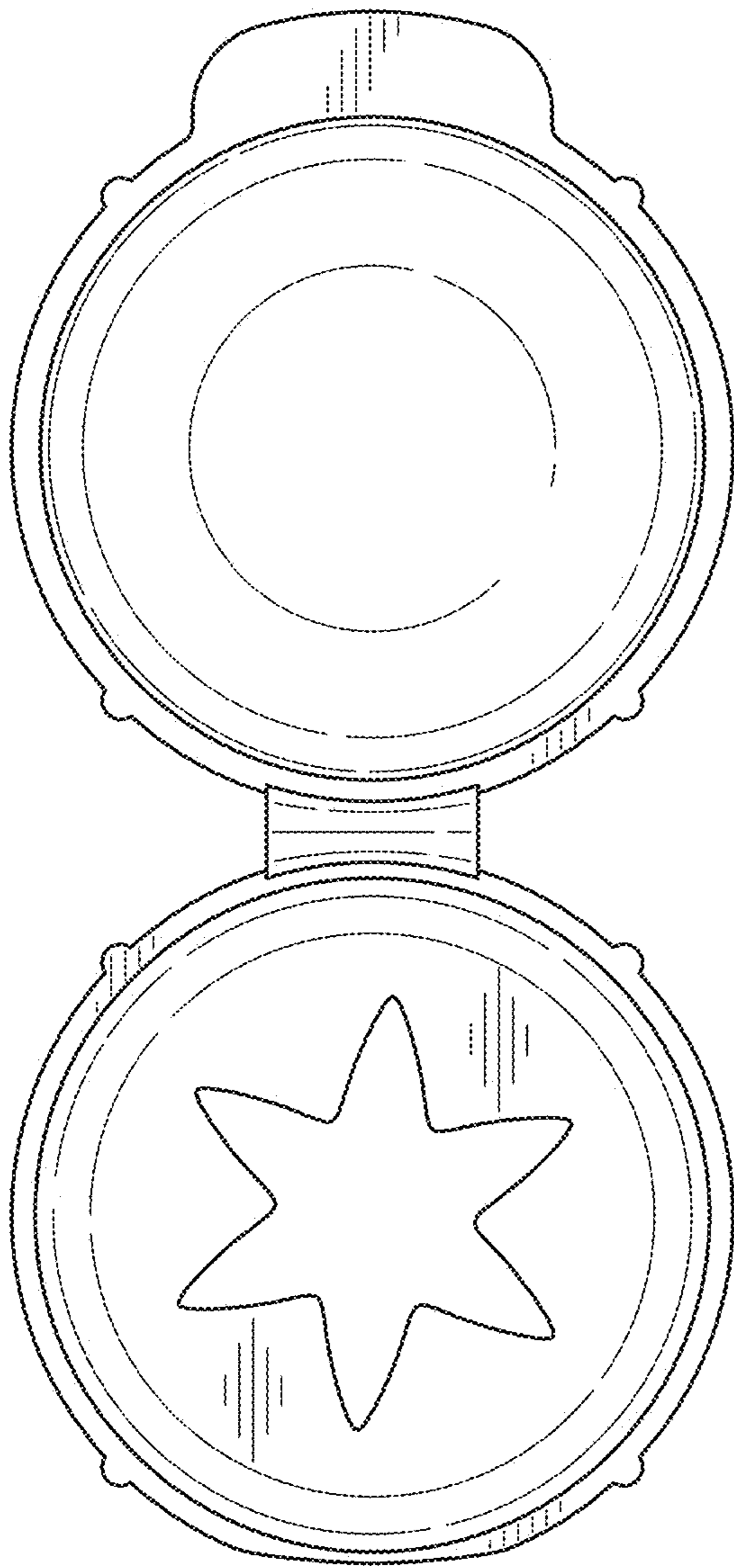


Fig. 6

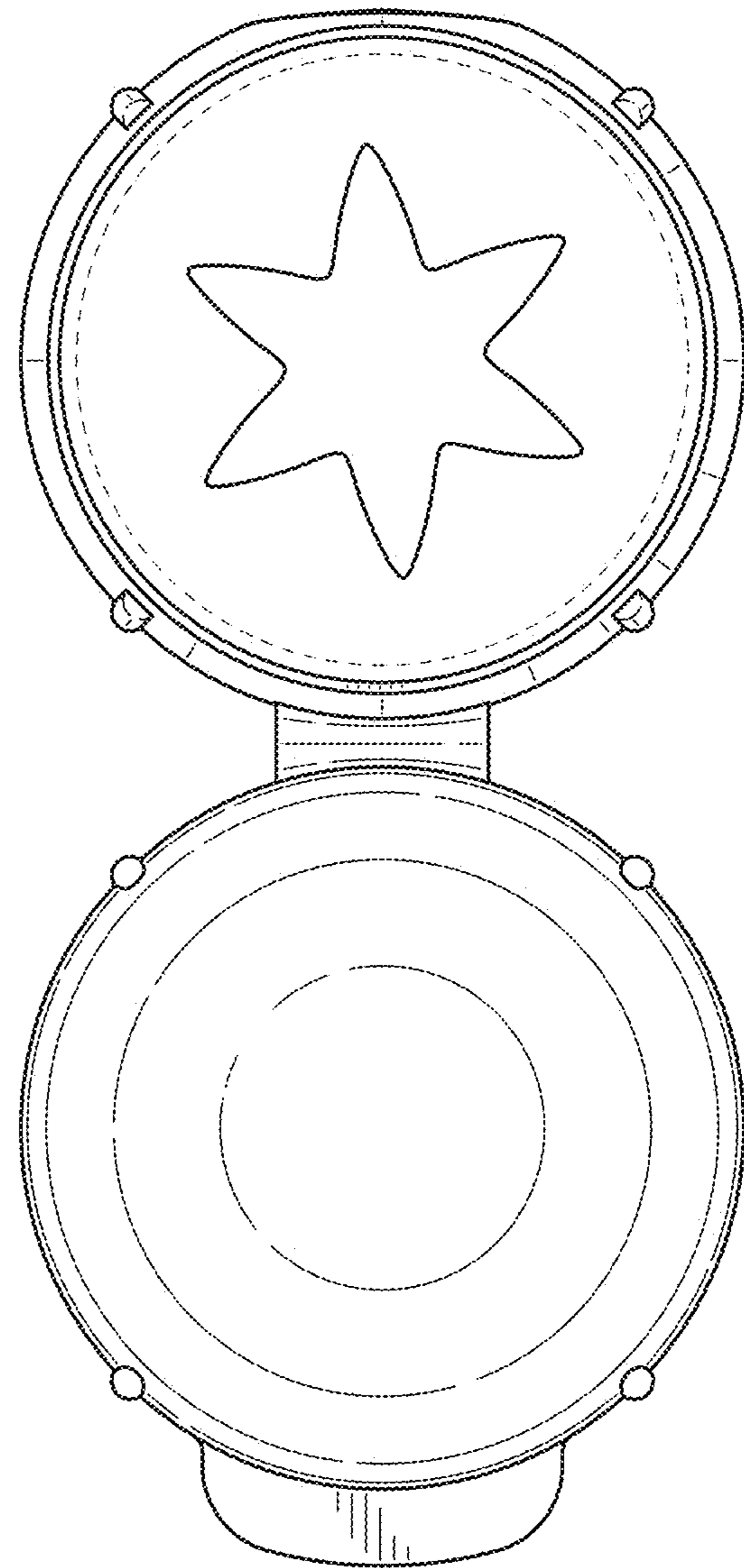


Fig. 7