



US00D920113S

(12) **United States Design Patent**
Vogel et al.

(10) **Patent No.:** **US D920,113 S**
(45) **Date of Patent:** **** May 25, 2021**

(54) **CAP**

(71) Applicant: **Gateway Plastics, Inc.**, Mequon, WI (US)

(72) Inventors: **William C. Vogel**, Mequon, WI (US); **Terrence M. Parve**, Menomonee Falls, WI (US); **Robert E. Proudfoot**, West Bend, WI (US); **Ryan J. Gundrum**, Mequon, WI (US)

(73) Assignee: **Gateway Plastics, Inc.**, Mequon, WI (US)

(**) Term: **15 Years**

(21) Appl. No.: **29/669,019**

(22) Filed: **Nov. 5, 2018**

(51) **LOC (13) Cl.** **09-07**

(52) **U.S. Cl.**
USPC **D9/450**

(58) **Field of Classification Search**
USPC D3/10, 17, 29, 200, 202, 203.1, 207;
D7/387, 391, 392, 392.1, 393, 396.1,
(Continued)

(56) **References Cited**

U.S. PATENT DOCUMENTS

D195,377 S * 6/1963 Franzreb et al. D9/439
D209,788 S * 1/1968 Cheladze D9/452
(Continued)

OTHER PUBLICATIONS

Safe Paw Ice Melter: Announced Jan. 27, 2016 [online]. Site Visited [Jan. 2, 2020]. Available from Internet URL: gatewayplastics.com/innovation/safe-paw-ice-melter 1/2.*

(Continued)

Primary Examiner — Catherine S Posthauer

(74) *Attorney, Agent, or Firm* — Foley & Lardner LLP

(57) **CLAIM**

We claim the ornamental design for a cap, as shown and described.

DESCRIPTION

FIG. 1 is a top perspective view of a first component of the claimed design;

FIG. 2 is a top view thereof;

FIG. 3 is a bottom view thereof;

FIG. 4 is a front view thereof;

FIG. 5 is a rear view thereof;

FIG. 6 is a bottom perspective view thereof;

FIG. 7 is a cross-sectional view of FIG. 2, taken along plane 7-7;

FIG. 8 is a top perspective view of a second component of the claimed design;

FIG. 9 is a top view thereof;

FIG. 10 is a bottom view thereof;

FIG. 11 is a rear view thereof;

FIG. 12 is a front view thereof;

FIG. 13 is a bottom perspective view thereof;

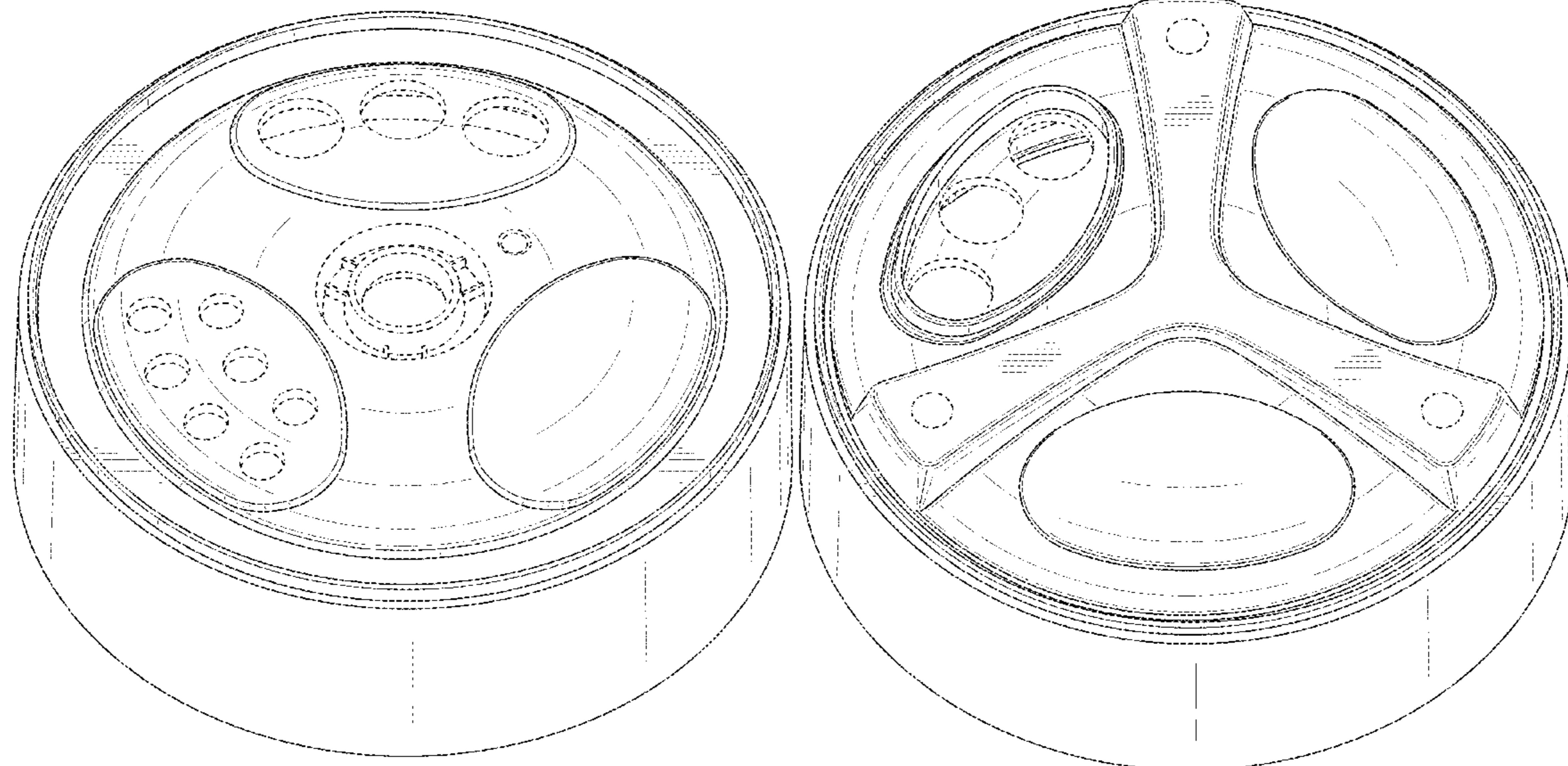
FIG. 14 is a cross-sectional view of FIG. 9, taken along plane 14-14;

FIG. 15 is a top perspective view of the claimed design, including the first component shown in FIG. 1 and the second component shown in FIG. 8 in a first configuration; and,

FIG. 16 is another top perspective view thereof with the first component shown in FIG. 1 and the second component shown in FIG. 8 in a second configuration.

Any portion of the article depicted in broken lines forms no part of the claimed design. Broken lines formed by equal length dashes show unclaimed subject matter. Broken lines formed of unequal length dashes (i.e., dash-dot) show planes along which cross-sectional views are shown.

1 Claim, 16 Drawing Sheets



(58) **Field of Classification Search**

USPC D7/396.2, 398, 900; D8/300, 303, 321;
 D9/425, 428, 434, 435, 439, 445, 446,
 D9/447, 448, 449, 452, 453, 454, 442,
 D9/500–505, 516, 529, 530, 537, 538,
 D9/541, 546, 549, 566, 569, 570,
 D9/692–699, 7, 2–715, 723–729, 745,
 D9/746, 774, 724, 726, 727; D12/197,
 D12/200, 212; D19/96, 162, 163, 187,
 D19/194; D23/259, 260, 261; D24/111,
 D24/112, 127, 196, 197, 199, 224;
 D28/76, 84
 CPC B65D 75/5883; B65D 41/3414;
 B65D 41/00; B65D 41/3447; B65D
 2101/0023; B65D 2101/0046; B65D
 2213/00; B65D 81/3272; B65D 85/12;
 B65D 23/065; B65D 47/066; A45D
 2200/05; A45D 2200/051; A45D 34/00;
 A45D 34/02; A45D 40/00; A45D 40/40;
 A45D 40/0068; A45D 40/0073; A45D
 2034/007; A45F 3/16; A47G 19/2266;
 A47G 19/2272; B64C 31/06; D05B 23/00

See application file for complete search history.

(56)

References Cited

U.S. PATENT DOCUMENTS

D228,886 S * 10/1973 Johannesburg D9/439
 D247,549 S * 3/1978 Klees D9/439
 D259,403 S * 6/1981 Frazier, Jr. 220/254.3
 D280,298 S * 8/1985 Hafer D9/434
 4,611,725 A * 9/1986 Kacalief B65D 47/265
 220/253
 5,213,238 A * 5/1993 Martin B65D 21/0235
 222/143

D471,813 S * 3/2003 Shenkar D9/452
 D492,279 S * 6/2004 Lee D14/188
 D518,377 S * 4/2006 Kortleven D3/323
 D559,464 S * 1/2008 Singh D28/73
 D600,972 S * 9/2009 Andersson D7/391
 D609,564 S * 2/2010 Paine D9/434
 D642,057 S * 7/2011 Reed D9/453
 D656,818 S * 4/2012 Dunwoody D9/435
 D679,181 S 4/2013 Vogel et al.
 D704,985 S * 5/2014 Lin D7/354
 8,714,507 B1 * 5/2014 Lee A47J 36/34
 248/152
 D714,144 S 9/2014 Vogel et al.
 8,955,705 B2 2/2015 Vogel et al.
 D730,126 S * 5/2015 Wall D7/624.1
 9,475,623 B2 10/2016 Vogel et al.
 D795,072 S * 8/2017 Haddad D9/454
 D803,010 S * 11/2017 Sanghavi D7/624.1
 9,868,572 B2 1/2018 Vogel et al.
 D824,763 S * 8/2018 Suess D9/454
 D829,512 S * 10/2018 Masanek, Jr. D7/624.1
 D861,485 S * 10/2019 Kapolas D9/453
 2008/0093394 A1 * 4/2008 Peterson B65D 47/265
 222/480
 2015/0114964 A1 * 4/2015 Vogel B65D 51/18
 220/253

OTHER PUBLICATIONS

Safe Thaw Ice Melter: Announced [Dec. 1, 2019 [online]. Site Visited [Jan. 2, 2020]. Available from Internet URL: https://www.amazon.com/Safe-Melter-Makers-Paw-Closeout/dp/B07ZTSD2XB/ref=asc_df_B07ZTSD2XB/?tag=hyprod-20&linkCode=df0&hvadid=385%E2%80%A6.
 Gateway Plastics: Announced 2014 [online]. Site Visited [Jan. 2, 2019]. Available from Internet URL: <https://www.gatewayplastics.com/products/>.

* cited by examiner

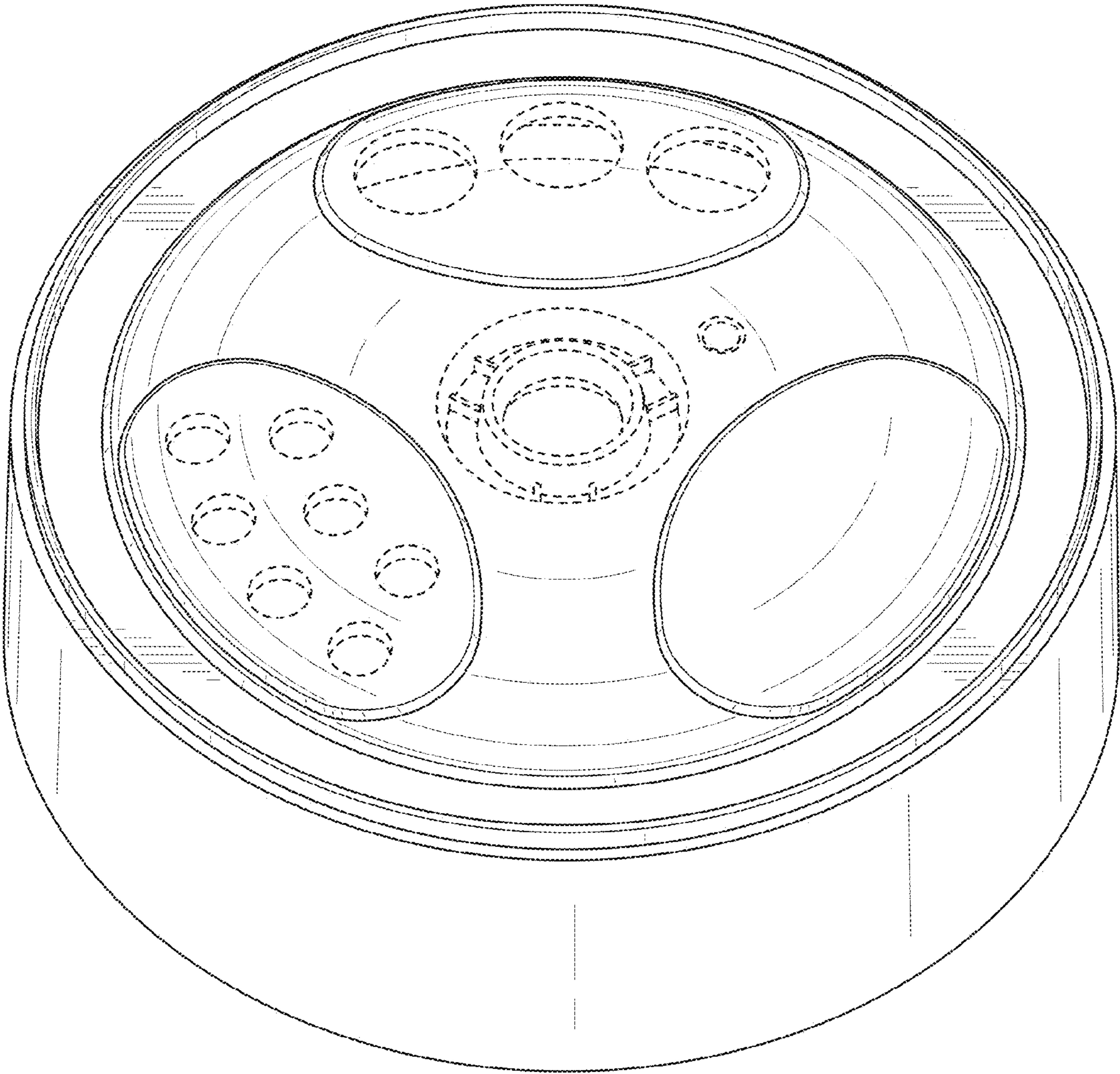


FIG. 1

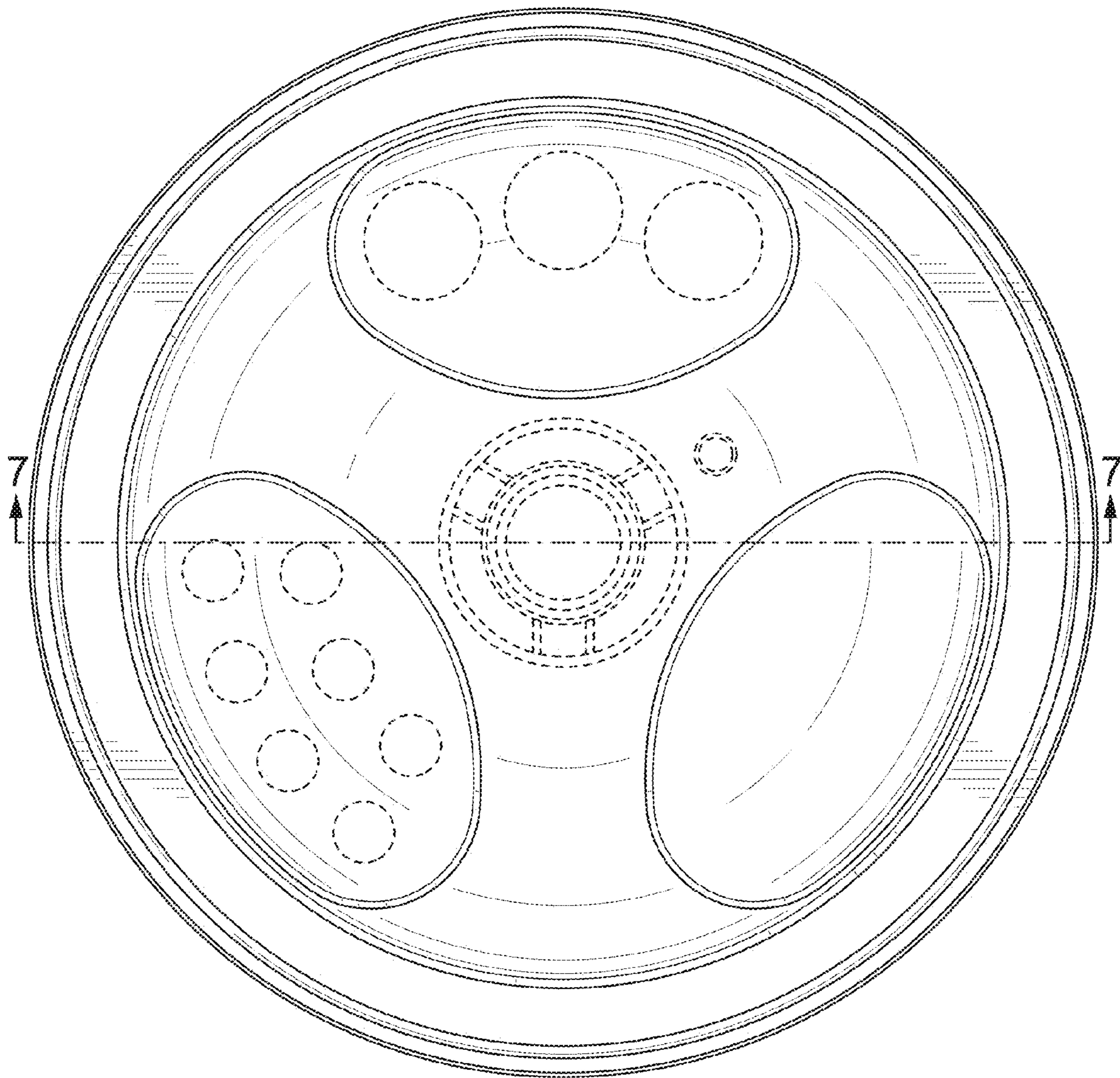


FIG. 2

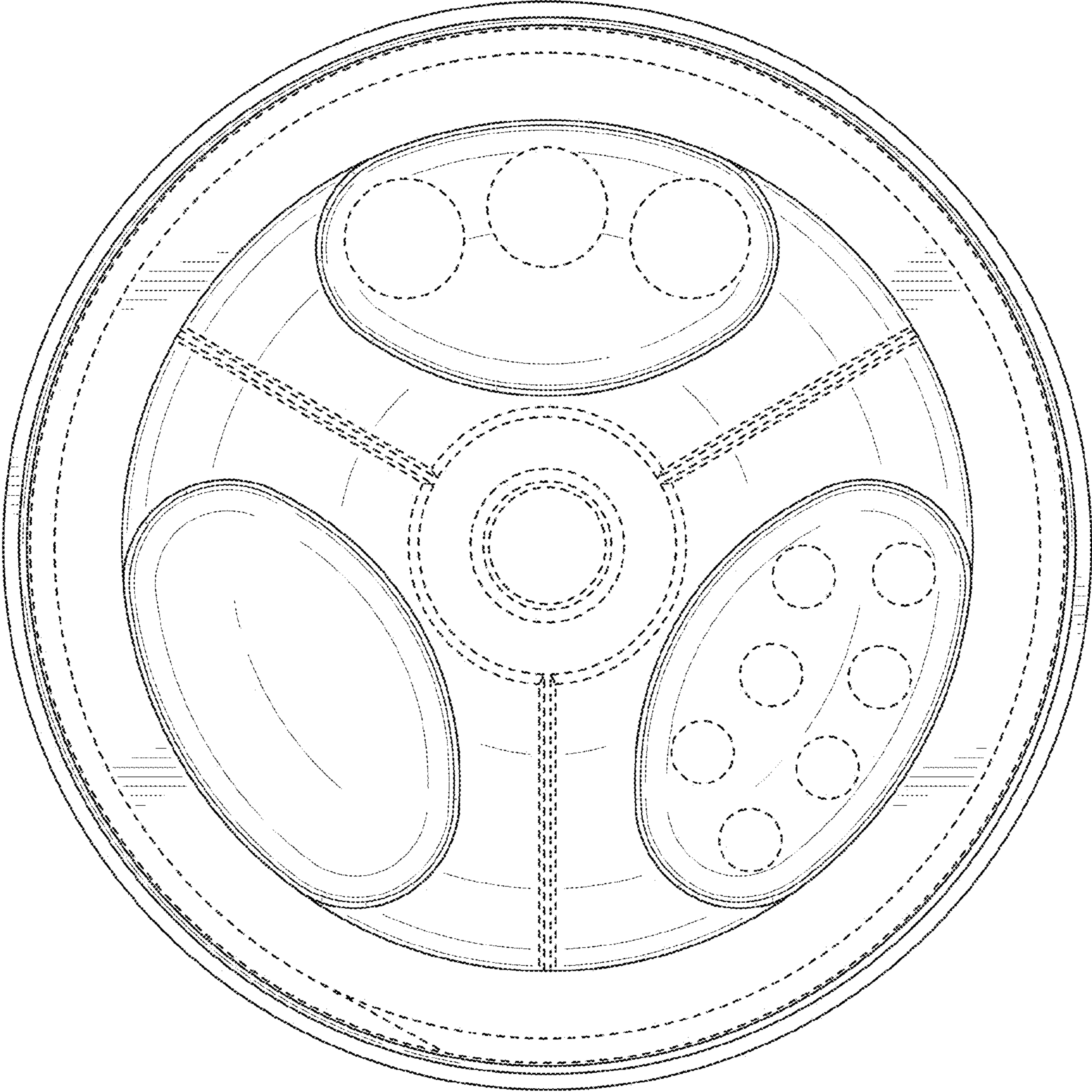


FIG. 3

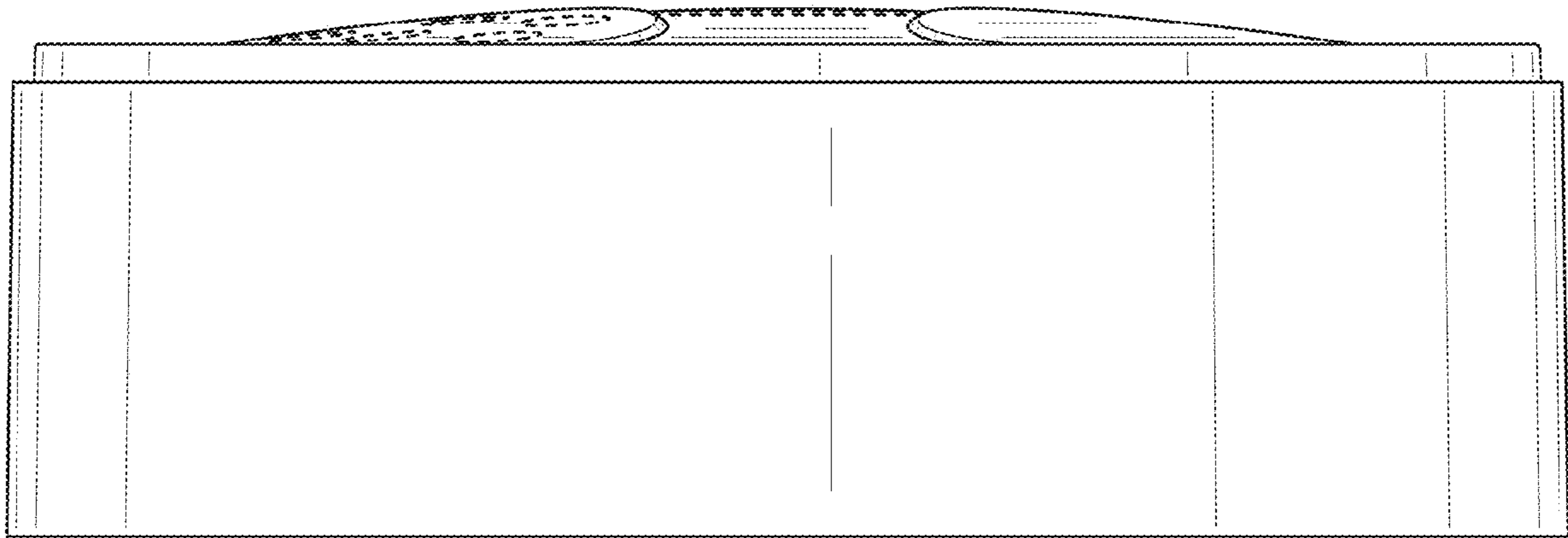


FIG. 4

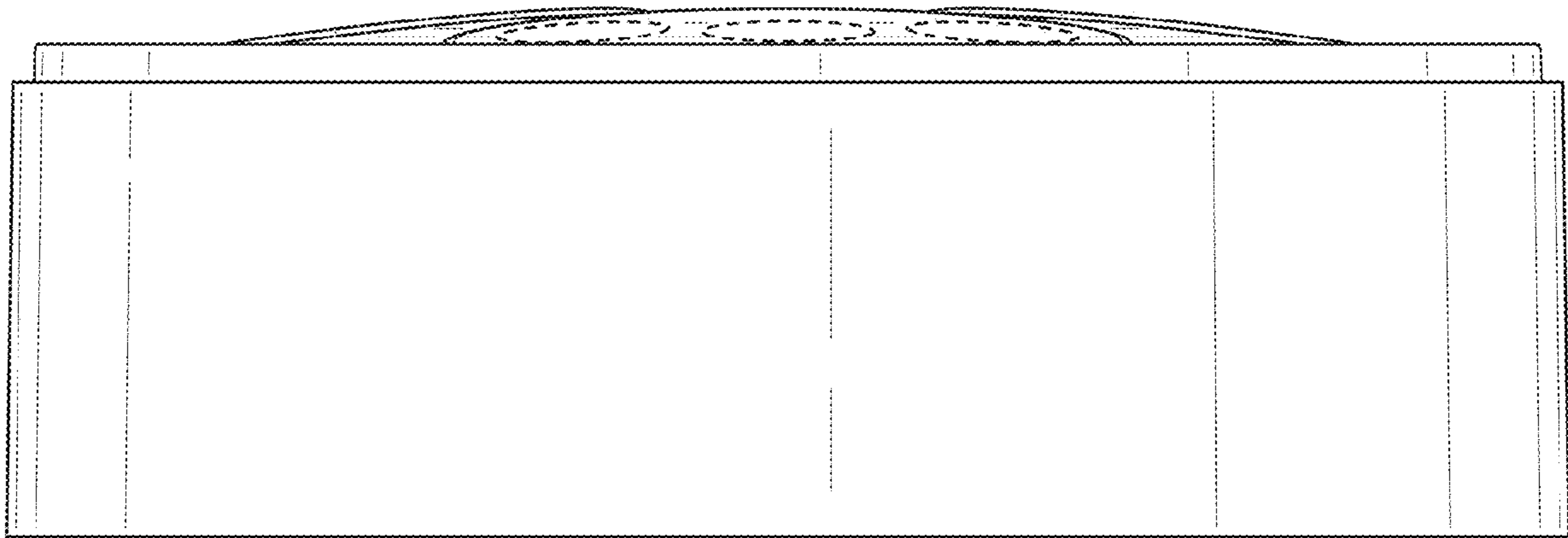


FIG. 5

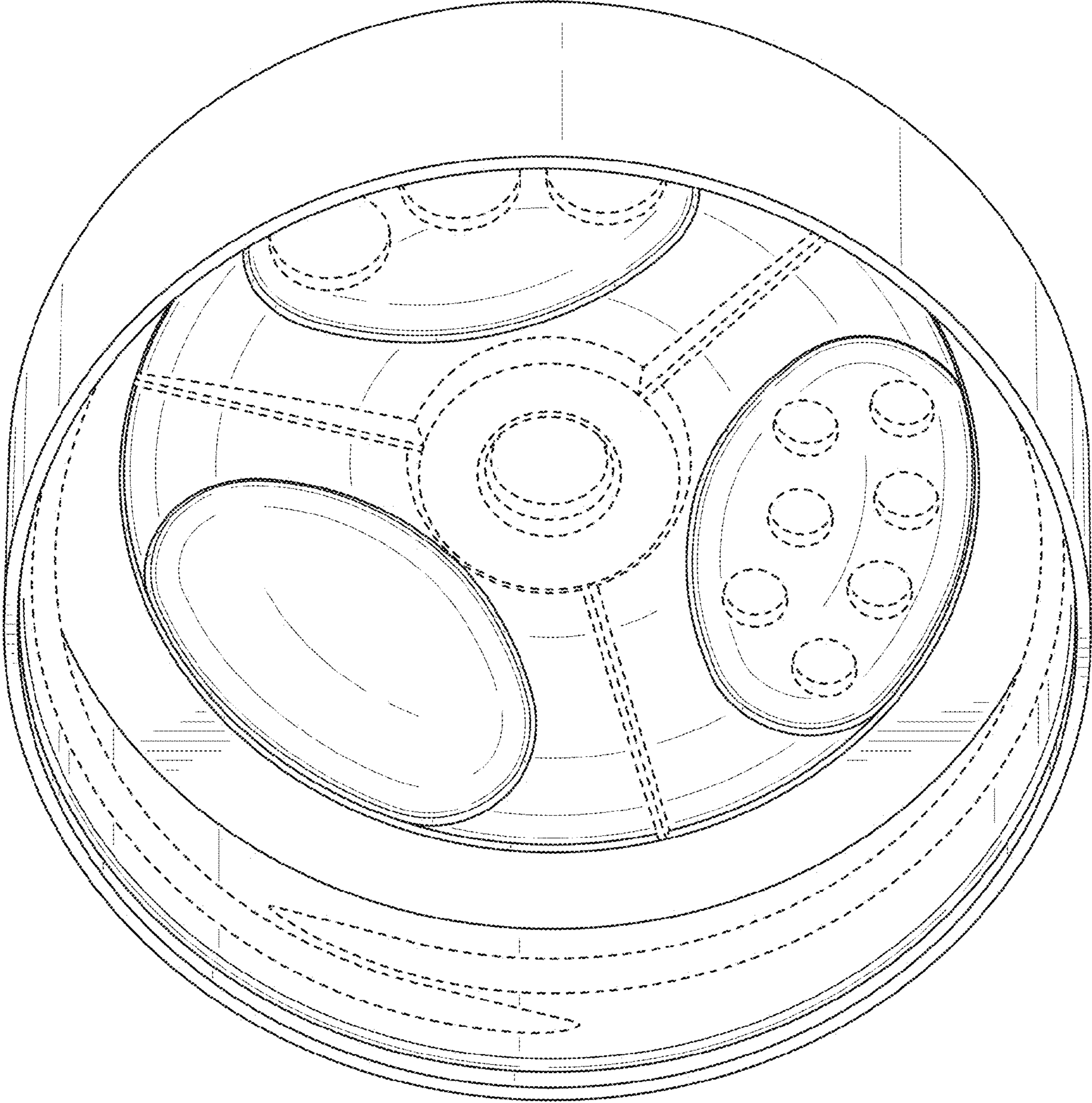


FIG. 6

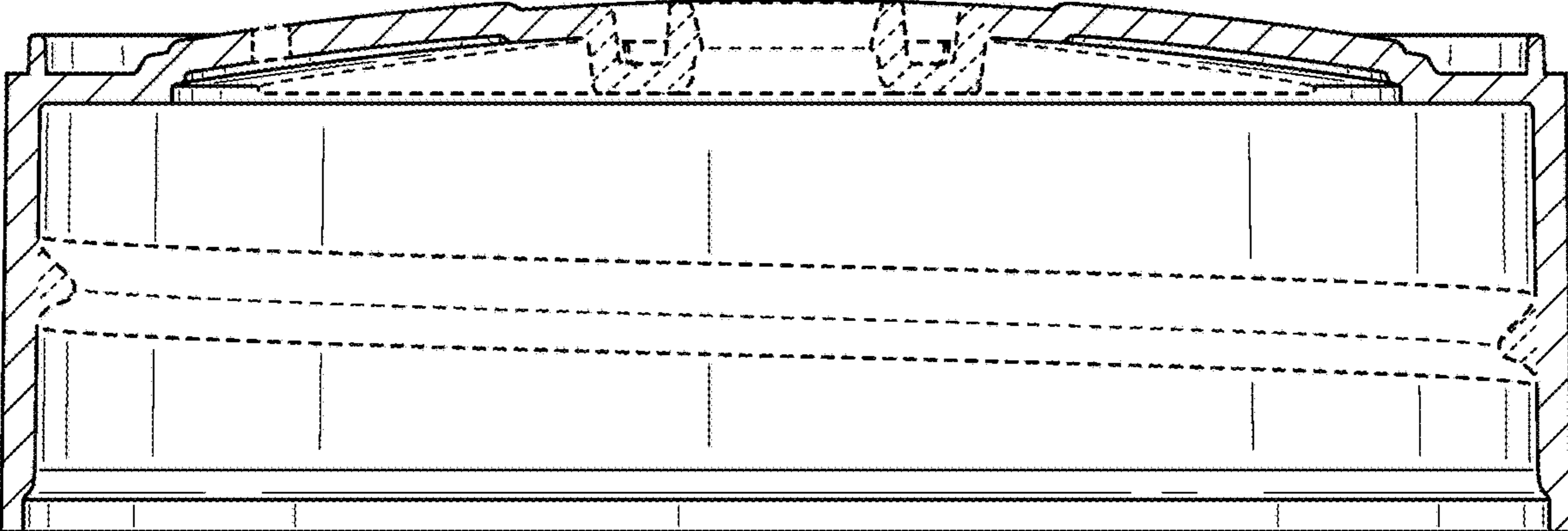


FIG. 7

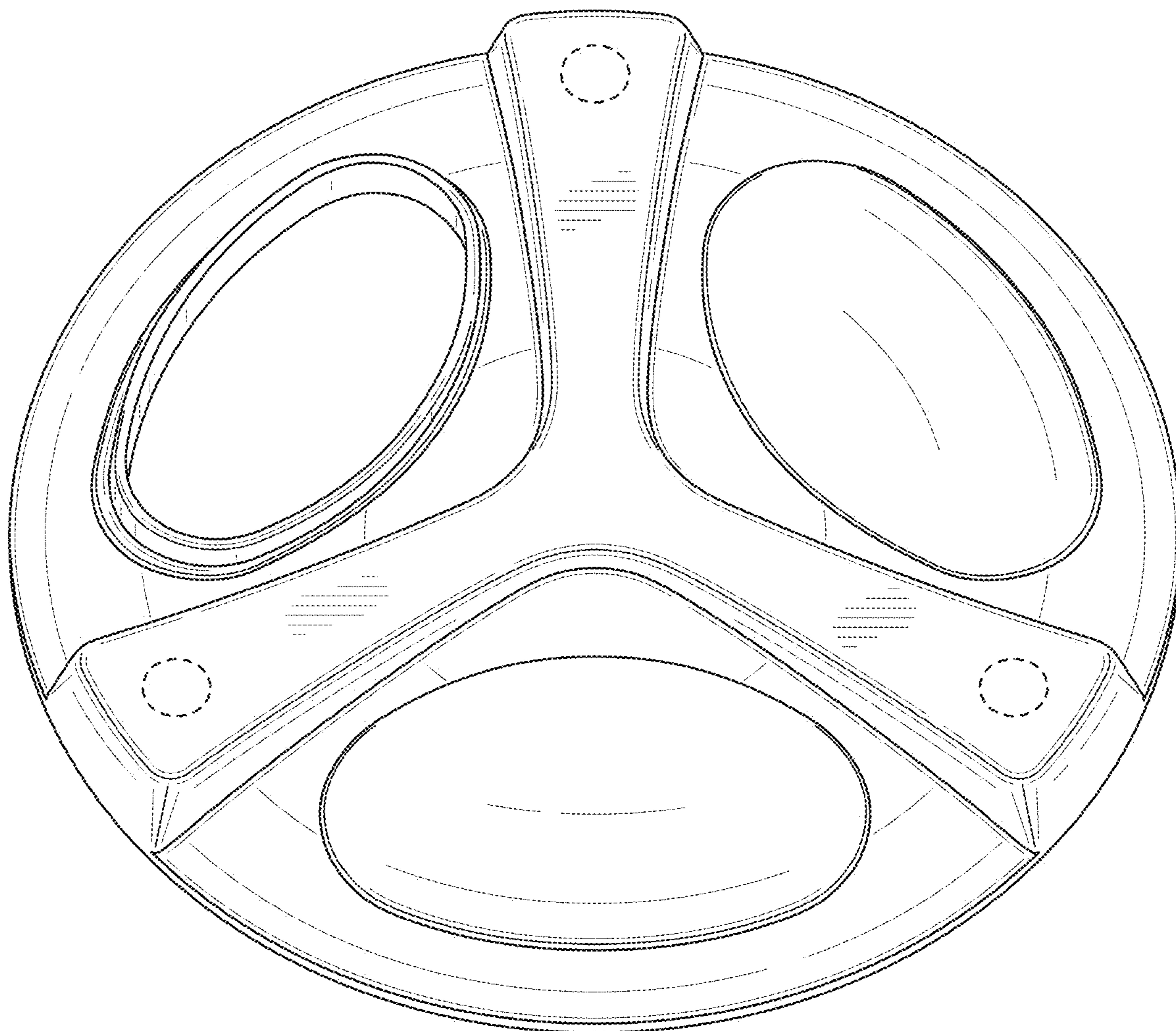


FIG. 8

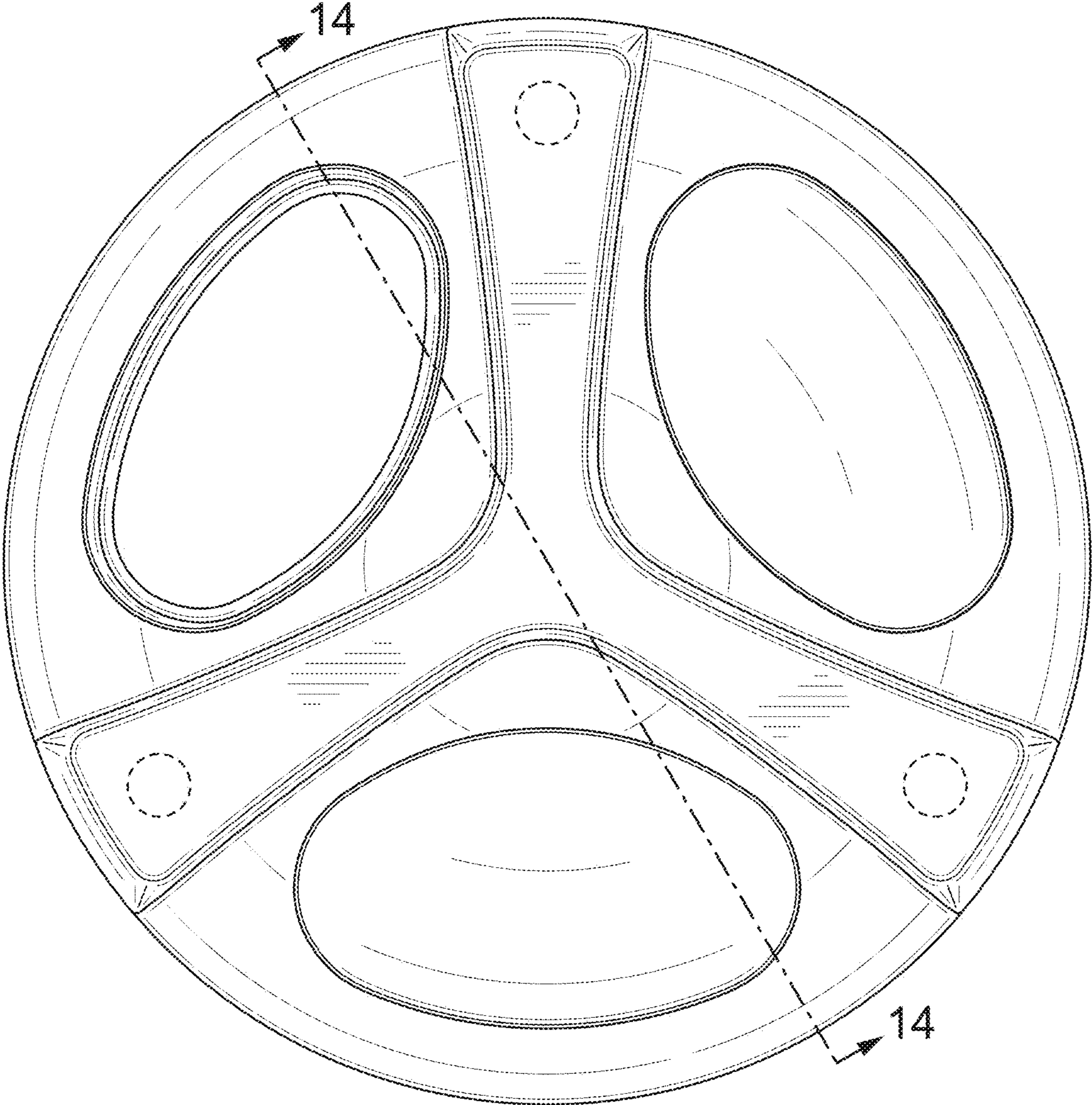


FIG. 9

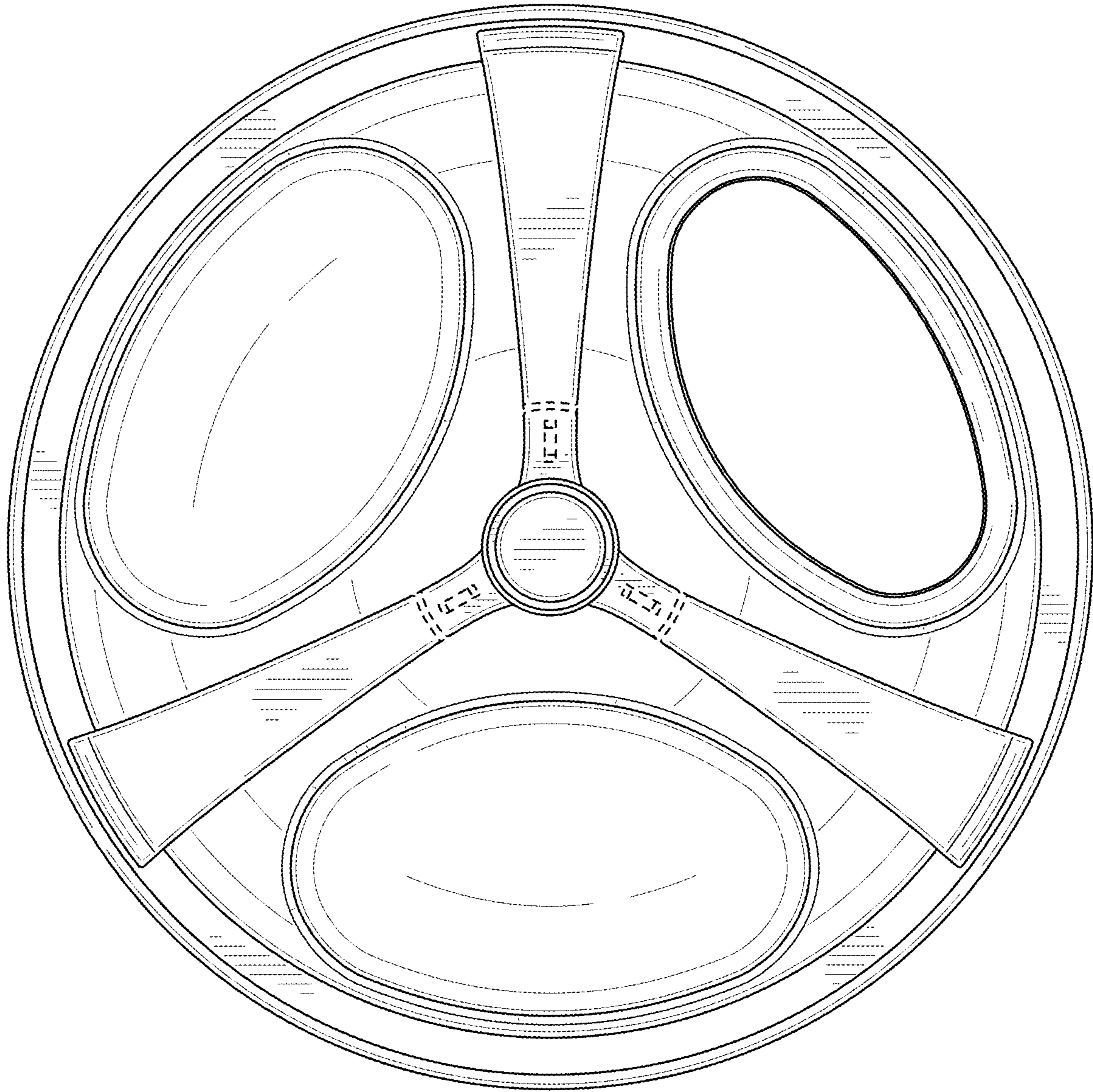


FIG. 10

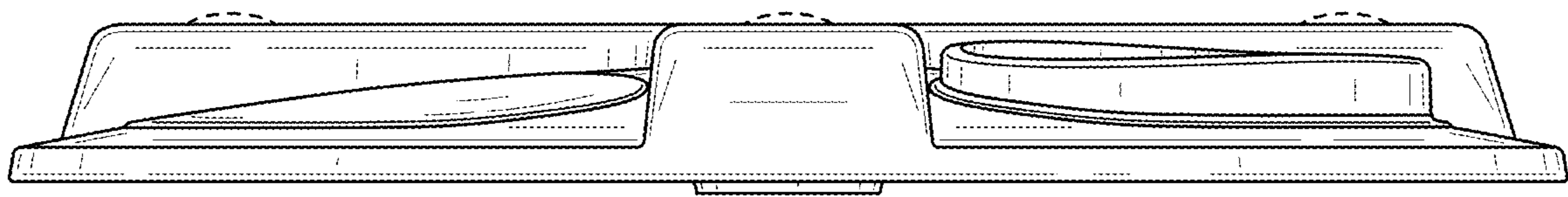


FIG. 11

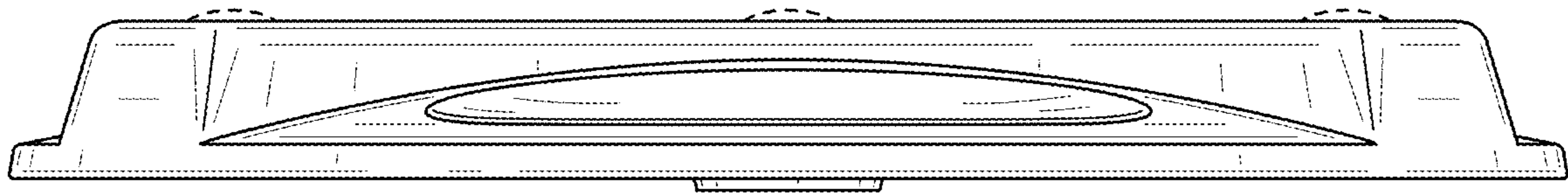


FIG. 12

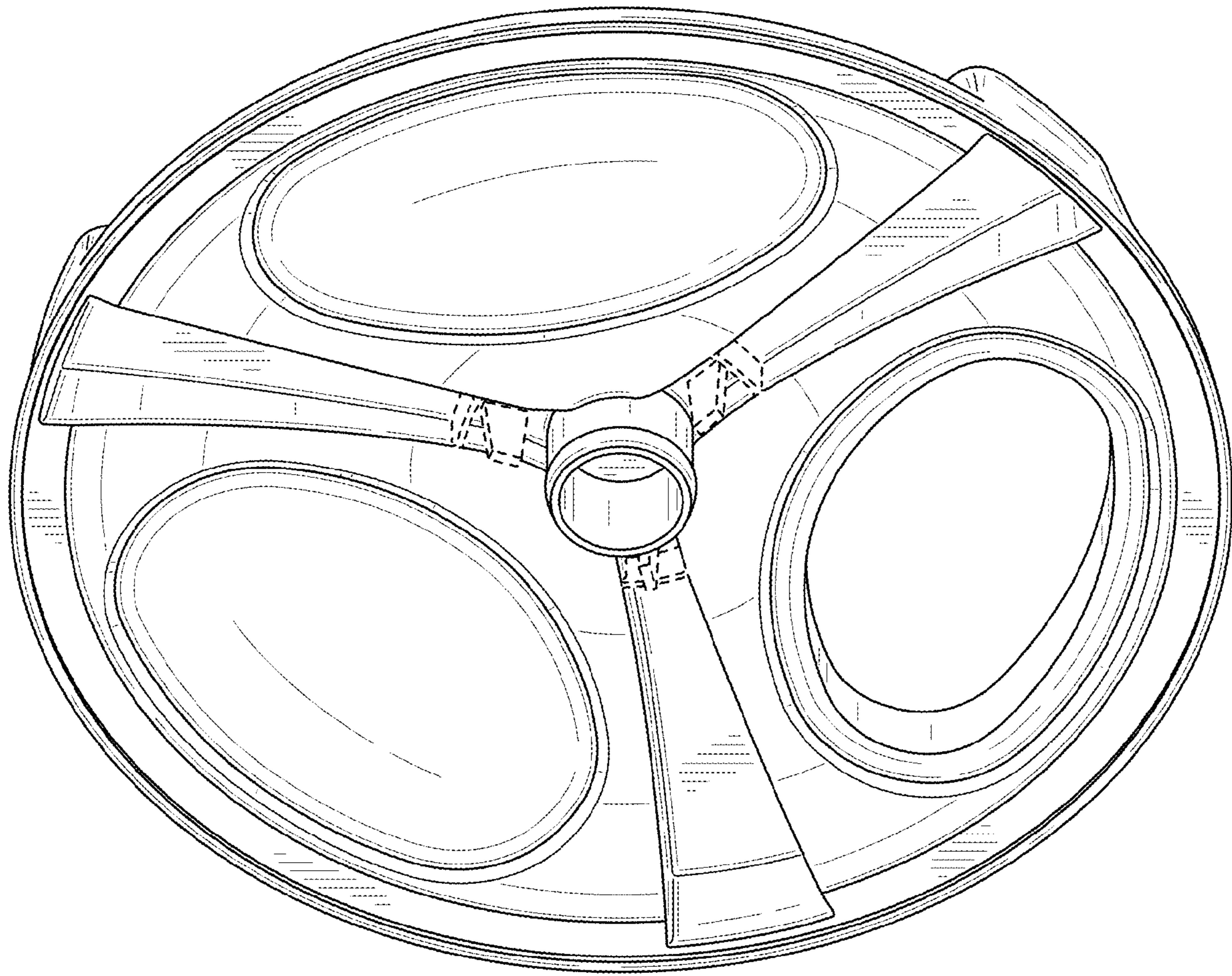


FIG. 13

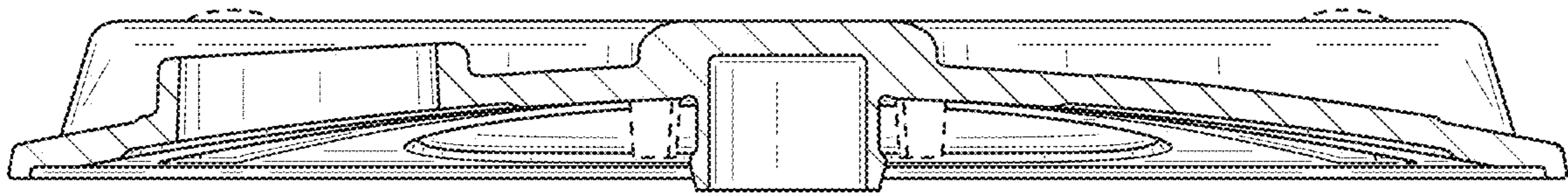


FIG. 14

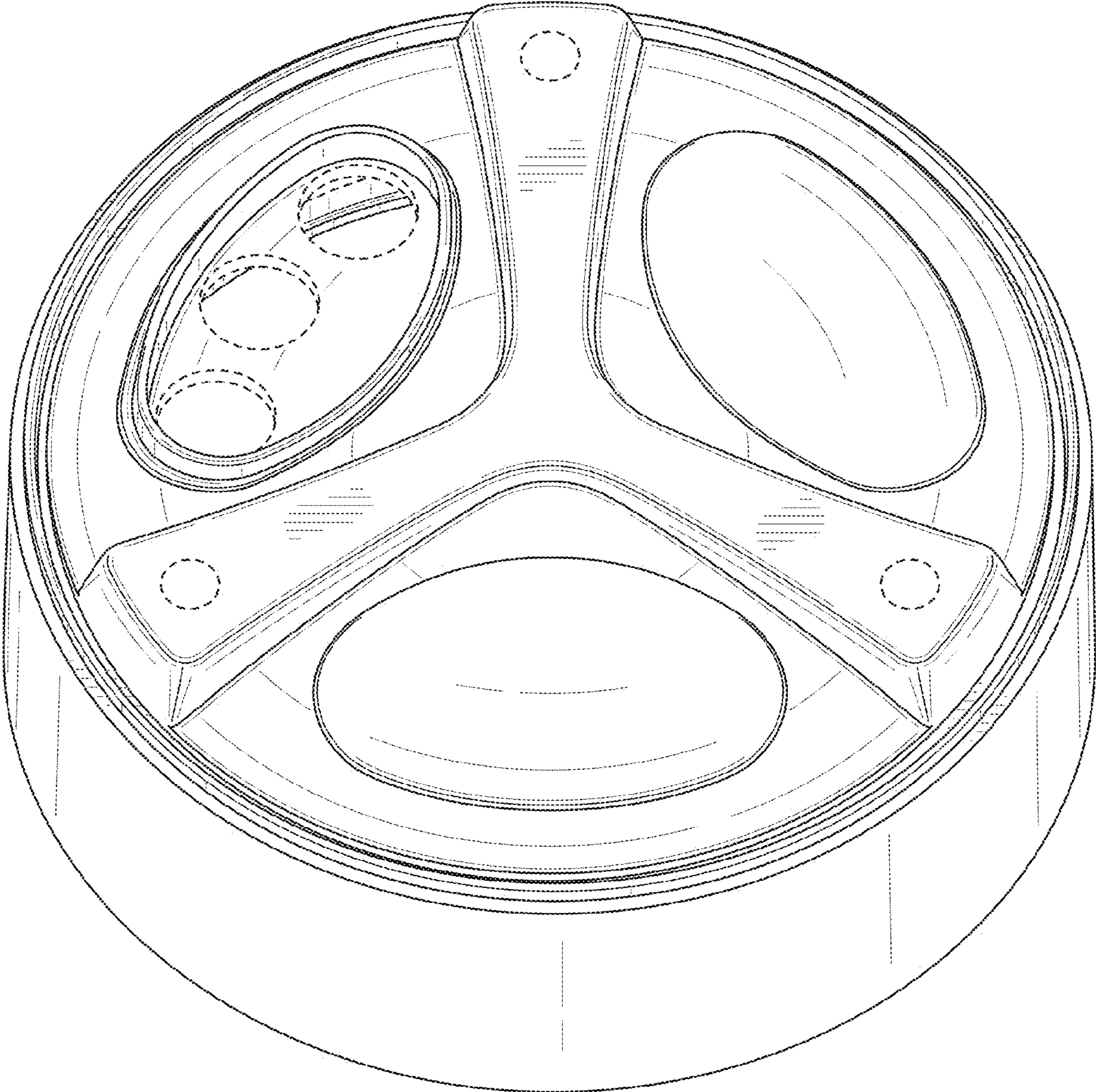


FIG. 15

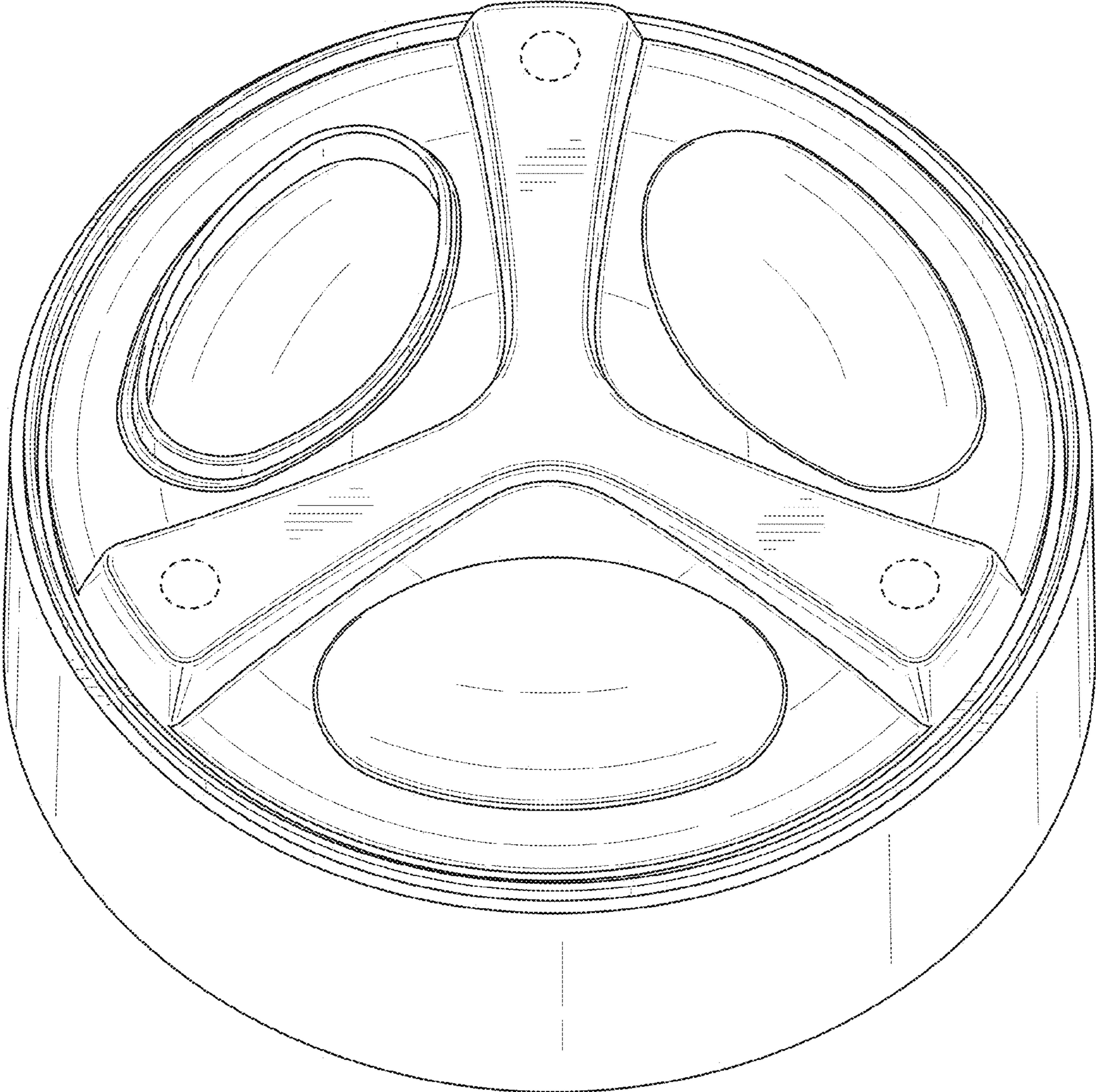


FIG. 16