



US00D920112S

(12) **United States Design Patent**  
**Berge et al.**

(10) **Patent No.:** **US D920,112 S**

(45) **Date of Patent:** **\*\* \*May 25, 2021**

(54) **CLOSURE**

(71) Applicant: **Silgan White Cap LLC**, Downers Grove, IL (US)

(72) Inventors: **Gary L. Berge**, Crystal Lake, IL (US);  
**Thomas Patrick Hennessy**, Naperville, IL (US)

(73) Assignee: **Silgan White Cap LLC**, Downers Grove, IL (US)

(\*) Notice: This patent is subject to a terminal disclaimer.

(\*\*) Term: **15 Years**

(21) Appl. No.: **29/715,534**

(22) Filed: **Dec. 3, 2019**

**Related U.S. Application Data**

(62) Division of application No. 29/589,960, filed on Jan. 5, 2017, now Pat. No. Des. 871,904.

(51) **LOC (13) Cl.** ..... **09-07**

(52) **U.S. Cl.**  
USPC ..... **D9/449**

(58) **Field of Classification Search**

USPC ..... D3/10, 13, 17; D7/300, 317, 321, 387, D7/388.391, 392, 396.1, 396.6, 397, 398, D7/401.1, 403, 509, 538, 610, 619.1, 629, D7/672, 677, 601, 602, 624.1, 705, 708; D9/434, 435, 436, 438, 439, 440, 441, D9/442, 446, 447, 449, 451, 452, 453, D9/454, 455, 550, 560, 566, 516, 544, D9/573, 614, 618, 623, 686, 705, 708, D9/715-720, 730, 750, 751; D23/206, D23/259, 260; D24/121, 127, 199, 224; D28/4, 5, 73, 76, 91.1

CPC ..... B65D 83/06; B65D 2501/00; B65D 2501/0009; B65D 1/00; B65D 1/02; B65D 1/0223; B65D 23/00; B65D 50/041; B65D 53/02; B65D 41/34; B65D 21/0223; B65D 47/265; B65D 2525/283;

B65D 2251/0087; B65D 2251/0018; B65D 2251/0028; B65D 2251/009; B65D 43/0225; B65D 25/28; B65D 51/18; B65D 2203/00; B65D 83/0038; B65D 43/02; B65D 85/36; B65D 81/18; B65D 81/38; A45D 2040/0043; A45D 2040/0062; A45D 2034/005; A45D 2034/065; A45D 40/04; A45D 34/04; A45D 33/04

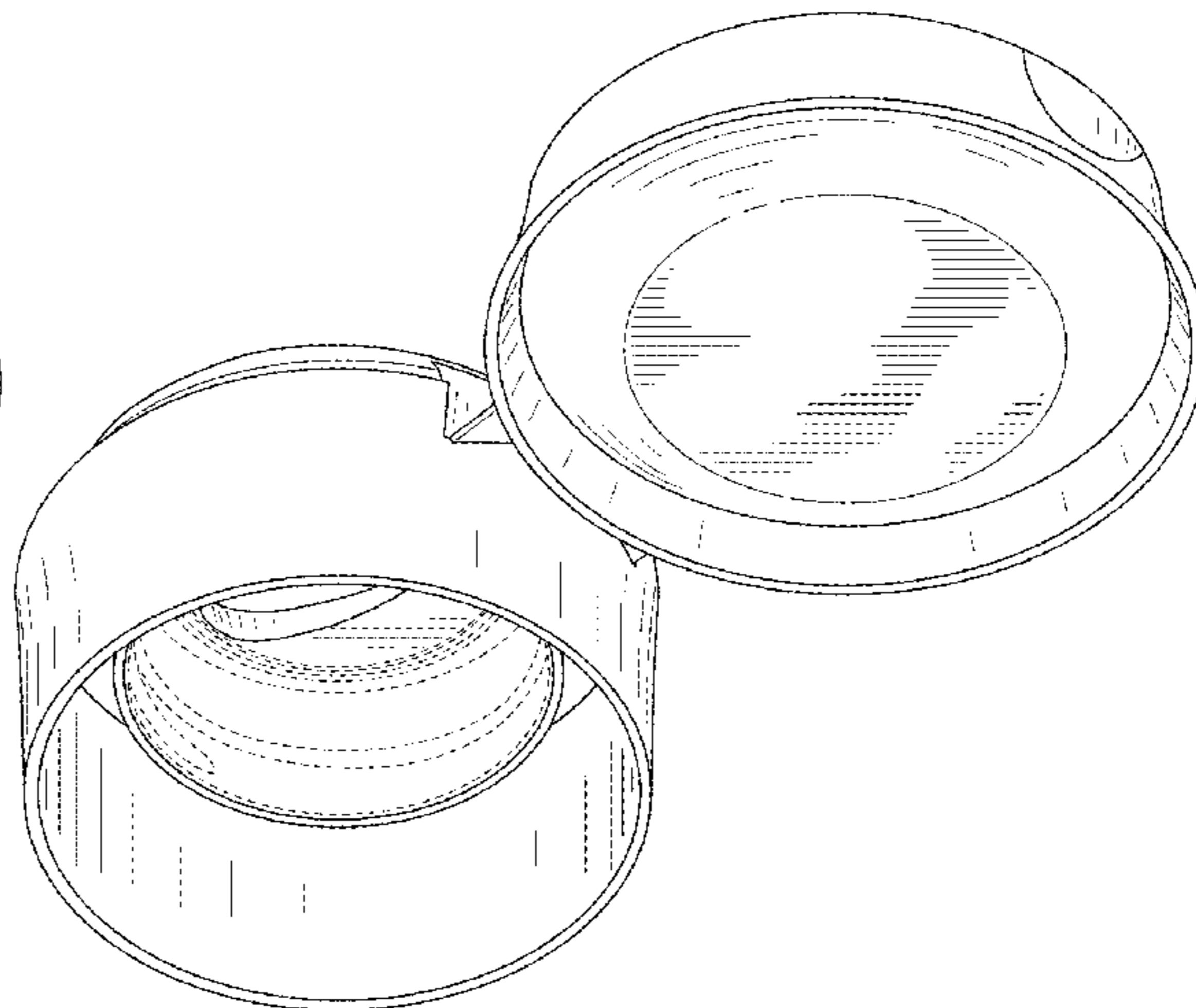
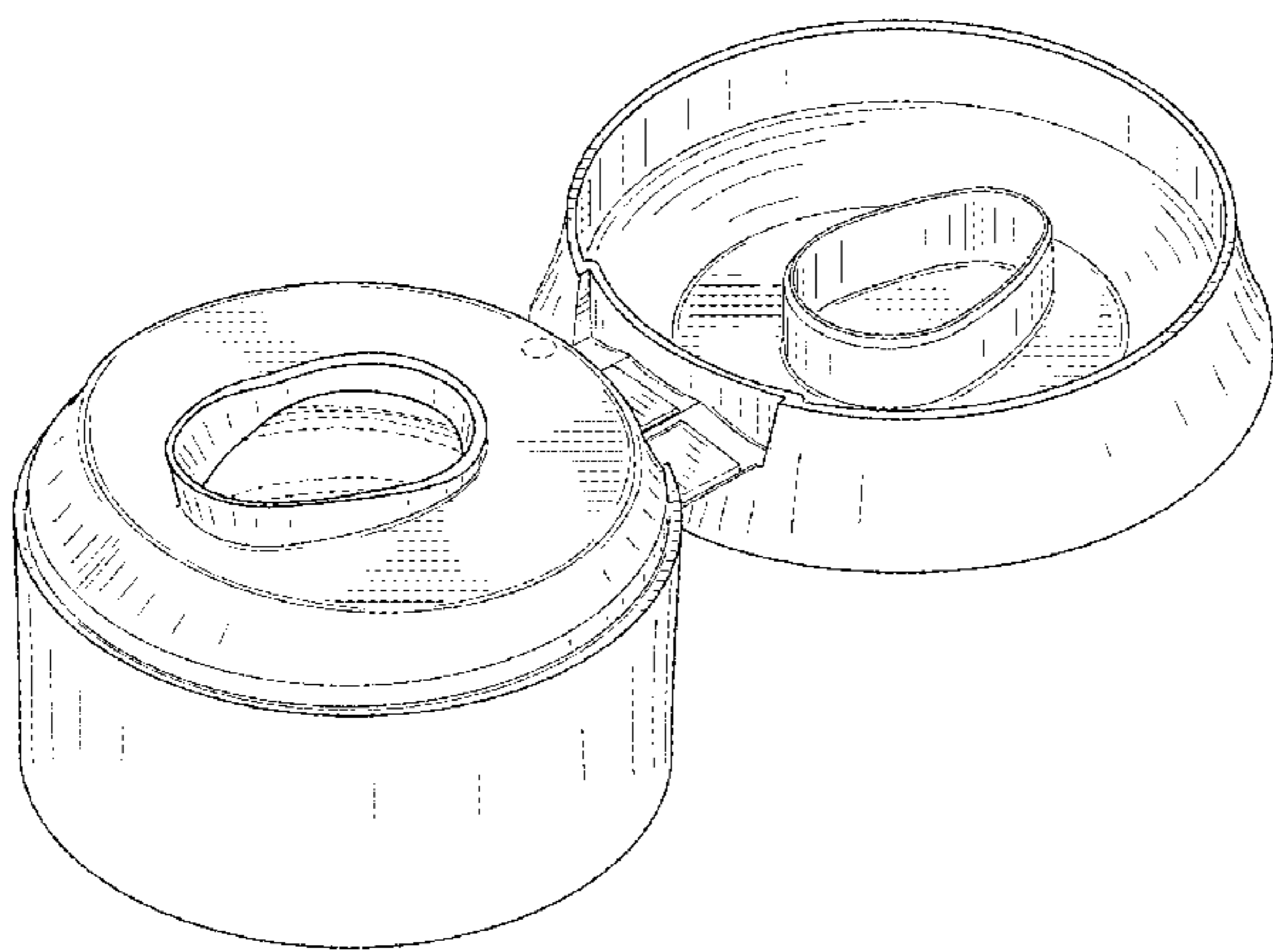
See application file for complete search history.

(56)

**References Cited**

**U.S. PATENT DOCUMENTS**

3,113,706 A	12/1963	Wickman	
3,744,675 A	7/1973	Song	
4,638,916 A	1/1987	Beck et al.	
4,759,455 A	7/1988	Wilson	
D306,265 S	2/1990	Leebeek	
D306,701 S	3/1990	Beck	
D339,065 S *	9/1993	Forsyth .....	D9/447
D374,399 S	10/1996	Neveras et al.	
D385,791 S *	11/1997	Forsyth .....	D9/440
D436,040 S	1/2001	Warner et al.	
D441,144 S *	4/2001	Vanoncini .....	D28/82
D455,077 S	4/2002	Gaiser et al.	
6,367,670 B1	4/2002	Warner et al.	
6,510,971 B1	1/2003	Martin	
D471,456 S	3/2003	Young et al.	
D472,144 S	3/2003	Hierzer et al.	
D476,892 S *	7/2003	Martin .....	D9/447
D508,203 S	8/2005	Ziegenhorn et al.	
D508,402 S	8/2005	Hierzer et al.	
D511,685 S	11/2005	Choi	
D513,474 S	1/2006	Choi	
D516,425 S	3/2006	Haffner et al.	
D530,202 S	10/2006	Herald et al.	
D531,035 S *	10/2006	Pugne .....	D9/453
D541,154 S	4/2007	Moribata et al.	
D542,132 S *	5/2007	Pugne .....	D9/449
D547,184 S	7/2007	Kim et al.	
D588,915 S	3/2009	Lohrman et al.	
D594,747 S *	6/2009	Moretti .....	D9/435
D604,159 S *	11/2009	Pugne .....	D9/449
D607,726 S *	1/2010	Wisniewski .....	D9/449
D608,198 S	1/2010	Lohrman et al.	
D608,199 S	1/2010	Gross	
D609,092 S *	2/2010	Laib .....	D9/449
D609,568 S *	2/2010	Mazurkiewicz .....	D9/449
D610,907 S	3/2010	Robillard et al.	



D611,817 S	3/2010	Simmons et al.	
D612,729 S	3/2010	Lohrman et al.	
D614,488 S	4/2010	Kallenbach et al.	
7,717,284 B2	5/2010	Giusti	
D624,414 S *	9/2010	Benoit-Gonin .....	D9/449
D625,146 S *	10/2010	George .....	D7/392
D627,641 S *	11/2010	Mazurkiewicz .....	D9/449
D628,887 S *	12/2010	Groubert .....	D9/449
D628,888 S *	12/2010	Groubert .....	D9/449
D628,889 S	12/2010	Groubert et al.	
D628,890 S *	12/2010	Groubert .....	D9/449
D628,891 S	12/2010	Groubert et al.	
D628,892 S	12/2010	Groubert et al.	
D628,893 S	12/2010	Groubert et al.	
D631,347 S *	1/2011	Rudolph .....	D9/446
D634,198 S	3/2011	Groubert et al.	
D636,672 S	4/2011	Lohrman et al.	
D640,556 S *	6/2011	Bragg .....	D9/449
D666,098 S	4/2012	Cummings et al.	
D661,582 S	6/2012	Gatrost et al.	
D662,416 S	6/2012	Dziersk et al.	
8,267,274 B2	9/2012	Danks et al.	
D673,048 S *	12/2012	Waite .....	D9/447
D680,434 S	4/2013	Fracasso	
D681,458 S	5/2013	Santarelli	
8,448,798 B2	5/2013	Groubert et al.	
8,474,646 B2	7/2013	Danks et al.	
D688,554 S	8/2013	Fracasso	
D709,764 S	7/2014	Gibb	
D711,230 S	8/2014	den Boer	
D712,263 S *	9/2014	Humm .....	D9/449
D712,264 S *	9/2014	Humm .....	D9/449
D713,723 S	9/2014	den Boer	
D713,724 S	9/2014	den Boer	
D716,142 S	10/2014	Luijendijk	
D721,535 S *	1/2015	Chapman .....	D7/396.2
D722,267 S	2/2015	Miranda De Araujo et al.	
D730,729 S	6/2015	George	
D739,750 S	9/2015	Luijendijk	
D742,229 S *	11/2015	Wisniewski .....	D9/449
D750,490 S	3/2016	Moore et al.	
D766,085 S *	9/2016	Smith .....	D9/449
D768,490 S	10/2016	Robinson et al.	
D769,715 S	10/2016	Bois	
D772,708 S	11/2016	Lloyd et al.	
D779,940 S	2/2017	Kim et al.	
D782,310 S	3/2017	Li	
D789,737 S *	6/2017	Eyal .....	D7/300.1
D790,343 S	6/2017	Velmer et al.	
D794,458 S	8/2017	Lloyd et al.	
D809,387 S *	2/2018	Tran .....	D9/449
D809,388 S *	2/2018	Tran .....	D9/449
D818,309 S	5/2018	Jasso Gomez	
D834,413 S *	11/2018	Tran .....	D9/449
D842,107 S *	3/2019	Bardet .....	D9/449
2003/0116879 A1	6/2003	Mueller et al.	
2004/0016714 A1	1/2004	Wood et al.	
2005/0279781 A1 *	12/2005	Pugne .....	B65D 47/0804 222/556
2006/0186079 A1	8/2006	Ziegenhorn	
2007/0131804 A1	6/2007	Westrich	
2008/0245795 A1	10/2008	Berge	
2009/0101646 A1	4/2009	Paul et al.	
2009/0294447 A1 *	12/2009	Mazurkiewicz ...	B65D 47/0814 220/260
2010/0140266 A1	6/2010	Lohrman et al.	
2012/0080450 A1	4/2012	Dziersk et al.	
2013/0037510 A1	2/2013	Tamarit Rios	
2016/0207693 A1	7/2016	Carpenter et al.	
2019/0168932 A1 *	6/2019	Jevtic .....	B65D 47/0847

FOREIGN PATENT DOCUMENTS

CH	707697	9/2014
WO	WO2007/006954	1/2007

OTHER PUBLICATIONS

Global Closure Systems Syrup Closures: Announced May 28, 2014 [online]. Site Visited [Jan. 4, 2020. Available from Internet URL: <https://www.packworld.com/design/materials-containers/product/13365183/global-closure-systems-flip-top-caps>.\*

United States Patent and Trademark Office, “Non-Final Office Action,” issued in connection with U.S. Appl. No. 29/598,541, dated Jul. 5, 2018, 20 pages.

Berry Global, “38-400 Dispensing Two-Piece Flip Top,” accessed online on Jan. 24, 2019, [<https://catalog.berryglobal.com/products/closure/dispensing/closure605cd38400fsbs>], 4 pages.

Packaging World, “Global Closure Systems: Flip top caps,” published May 28, 2014, accessed online on Jan. 24, 2019, [<https://www.packworld.com/article/package-component/closures-rigid-containers/global-closure-systems-flip-top-caps>], 4 pages.

Silgan Closures, “Flip Top Creamer Closure,” accessed online Jan. 25, 2018, [<https://silgancis.com/wp-content/uploads/2017/02/Silgan-Closures-Flip-top-creamers-closures1.pdf>], 1 page.

\* cited by examiner

*Primary Examiner* — Catherine S Posthauer  
(74) *Attorney, Agent, or Firm* — Reinhart Boerner Van Deuren s.c.

(57) CLAIM

We claim the ornamental design for a closure, as shown and described.

DESCRIPTION

FIG. 1 is a top perspective view of the claimed design showing the closure in an open configuration;  
FIG. 2 is a bottom perspective view of the claimed design of FIG. 1;  
FIG. 3 is a right side view of the claimed design of FIG. 1;  
FIG. 4 is a left side view of the claimed design of FIG. 1;  
FIG. 5 is a front view of the claimed design of FIG. 1;  
FIG. 6 is a rear view of the claimed design of FIG. 1;  
FIG. 7 is a top view of the claimed design of FIG. 1;  
FIG. 8 is a bottom view of the claimed design of FIG. 1;  
FIG. 9 is a top perspective view of claimed design of FIG. 1 showing the cap of the closure hinged at an angle relative to the base to the closure;  
FIG. 10 is a top perspective view of the claimed design of FIG. 1 showing the closure in a closed configuration;  
FIG. 11 is a bottom perspective view of the claimed design of FIG. 10;  
FIG. 12 is a right side view of the claimed design of FIG. 10;  
FIG. 13 is a left side view of the claimed design of FIG. 10;  
FIG. 14 is a front view of the claimed design of FIG. 10;  
FIG. 15 is a rear view of the claimed design of FIG. 10;  
FIG. 16 is a top view of the claimed design of FIG. 10; and  
FIG. 17 is a bottom view of the claimed design of FIG. 10.  
The ornamental design which is claimed is shown in solid lines in the drawings. The broken lines are shown for the purpose of illustrating parts of the article that form no part of the claim.

1 Claim, 12 Drawing Sheets

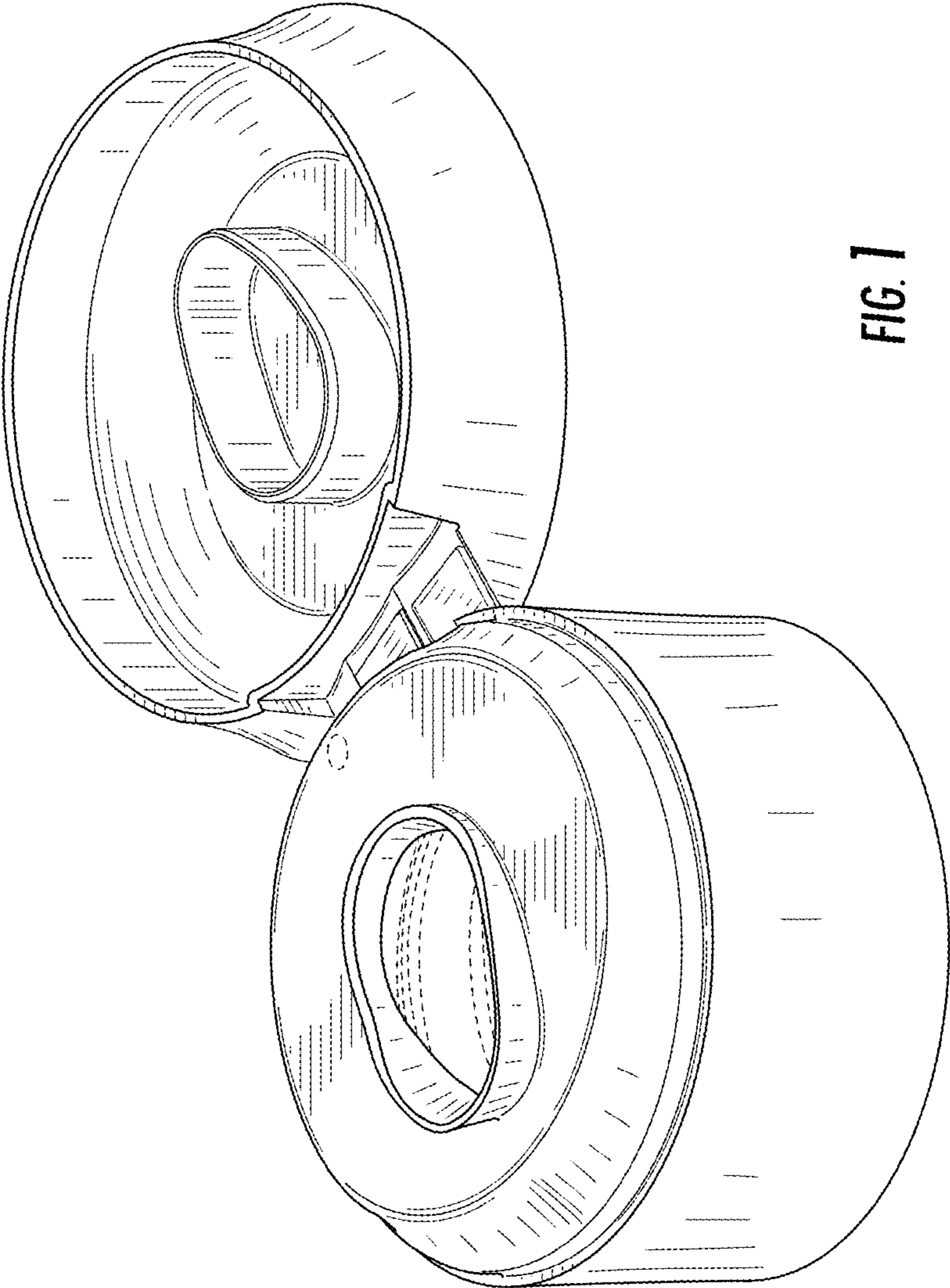


FIG. 1

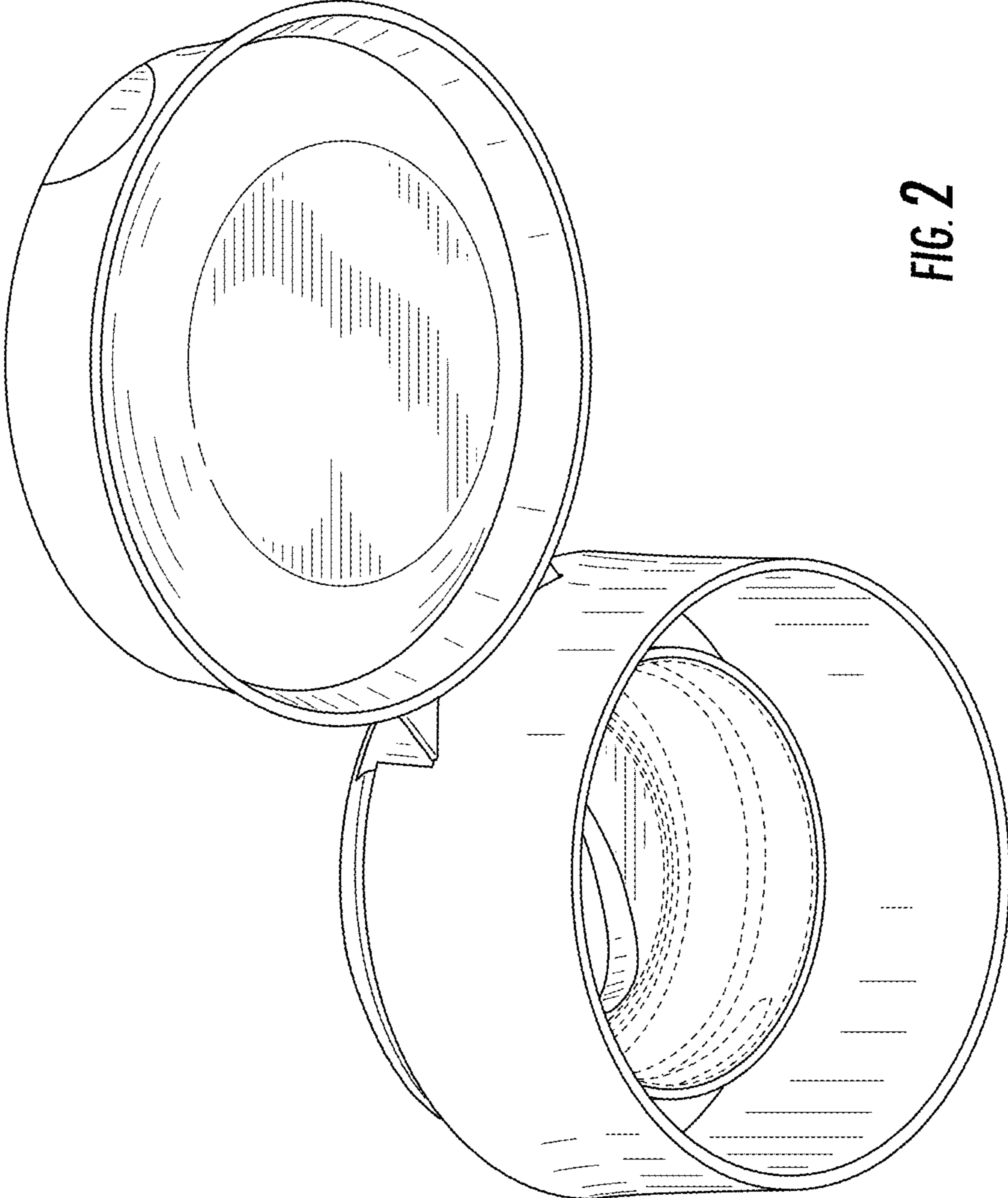


FIG. 2

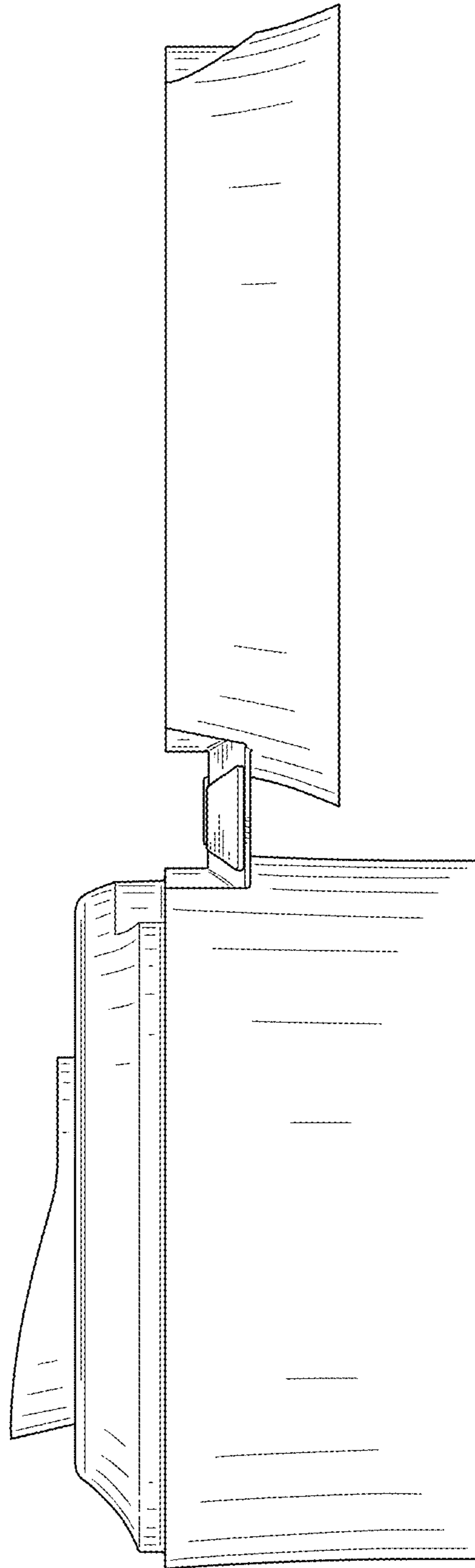


FIG. 3

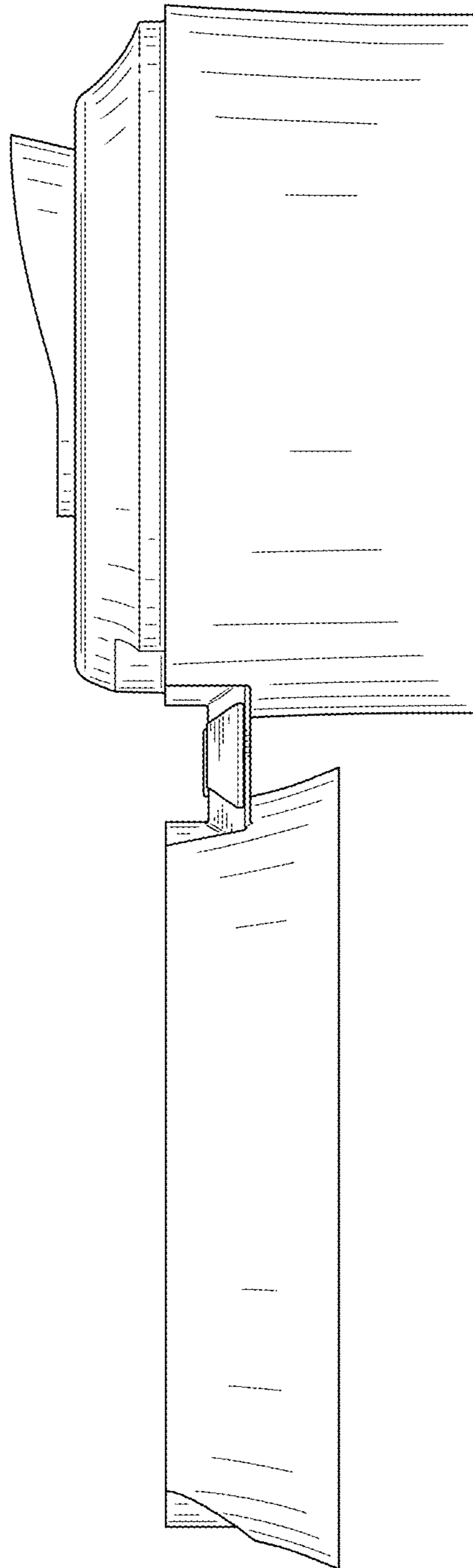
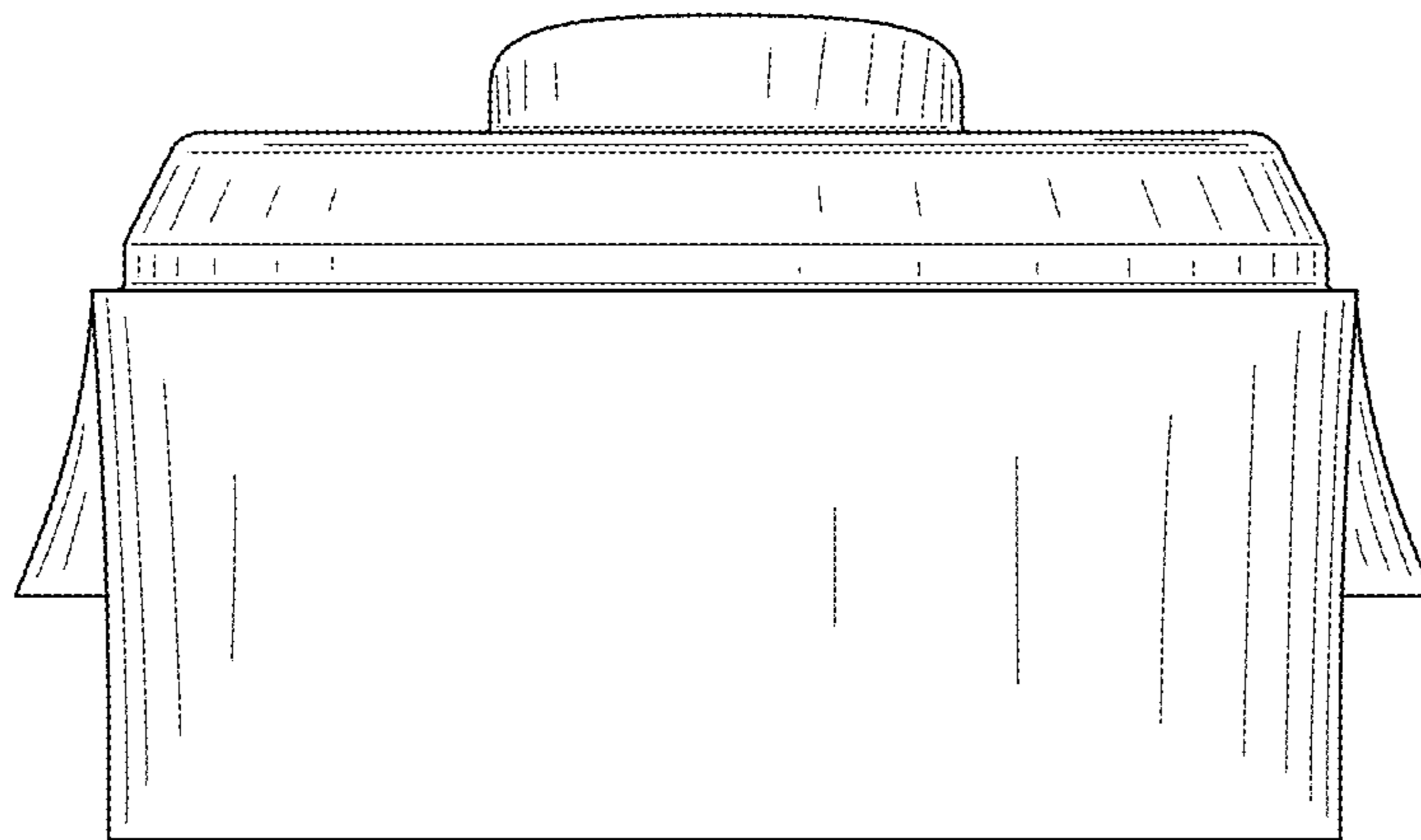
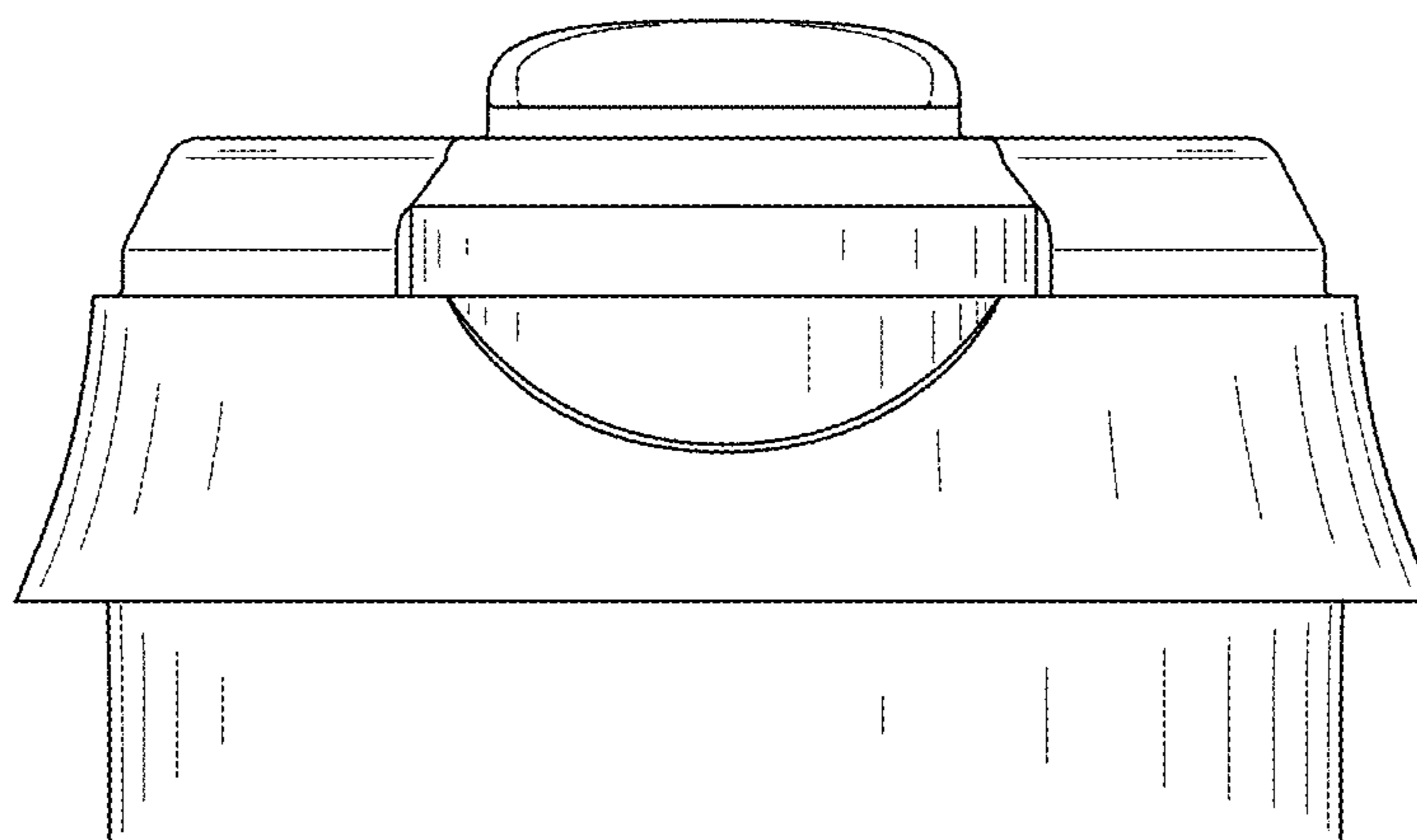


FIG. 4



**FIG. 5**



**FIG. 6**

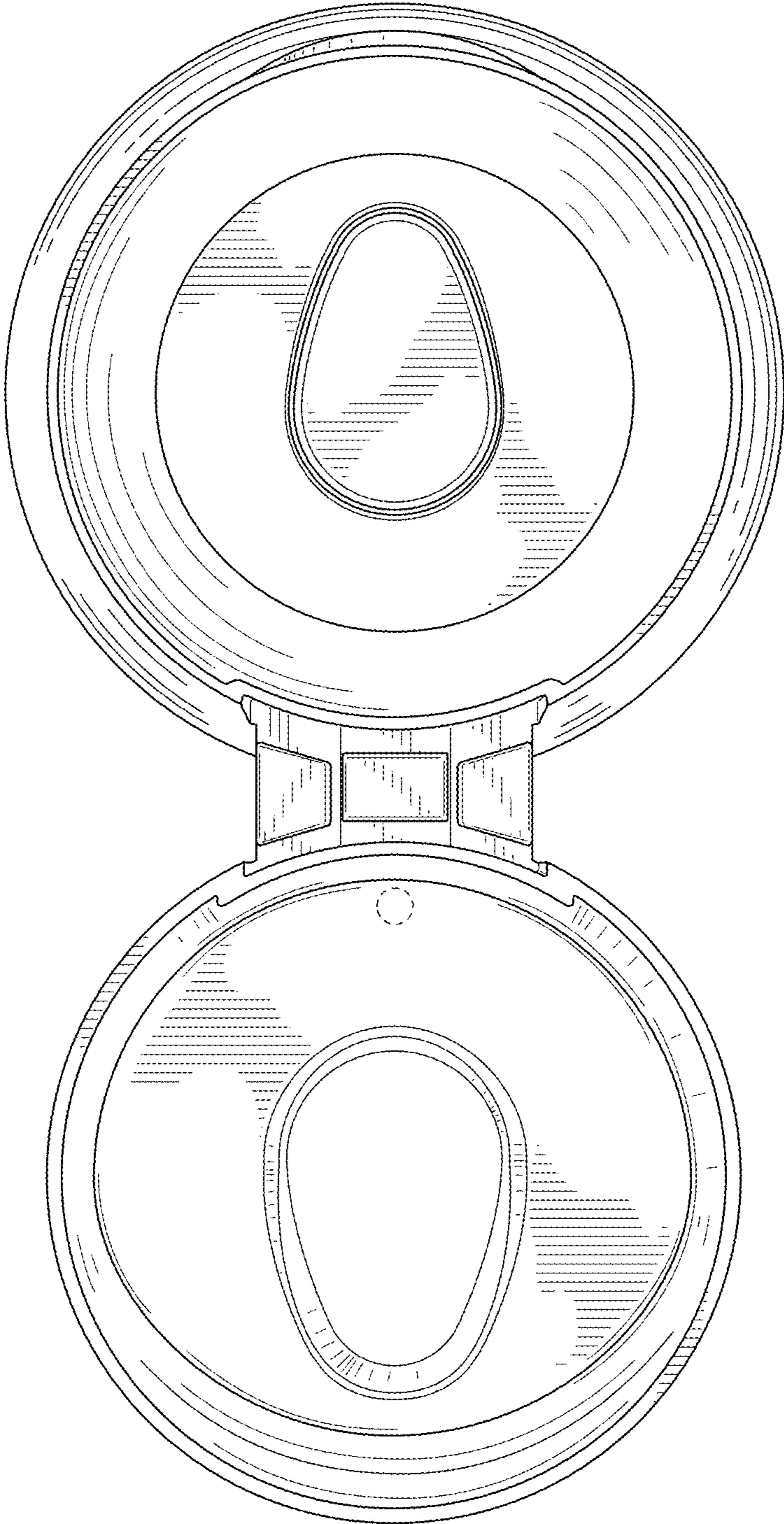


FIG. 7



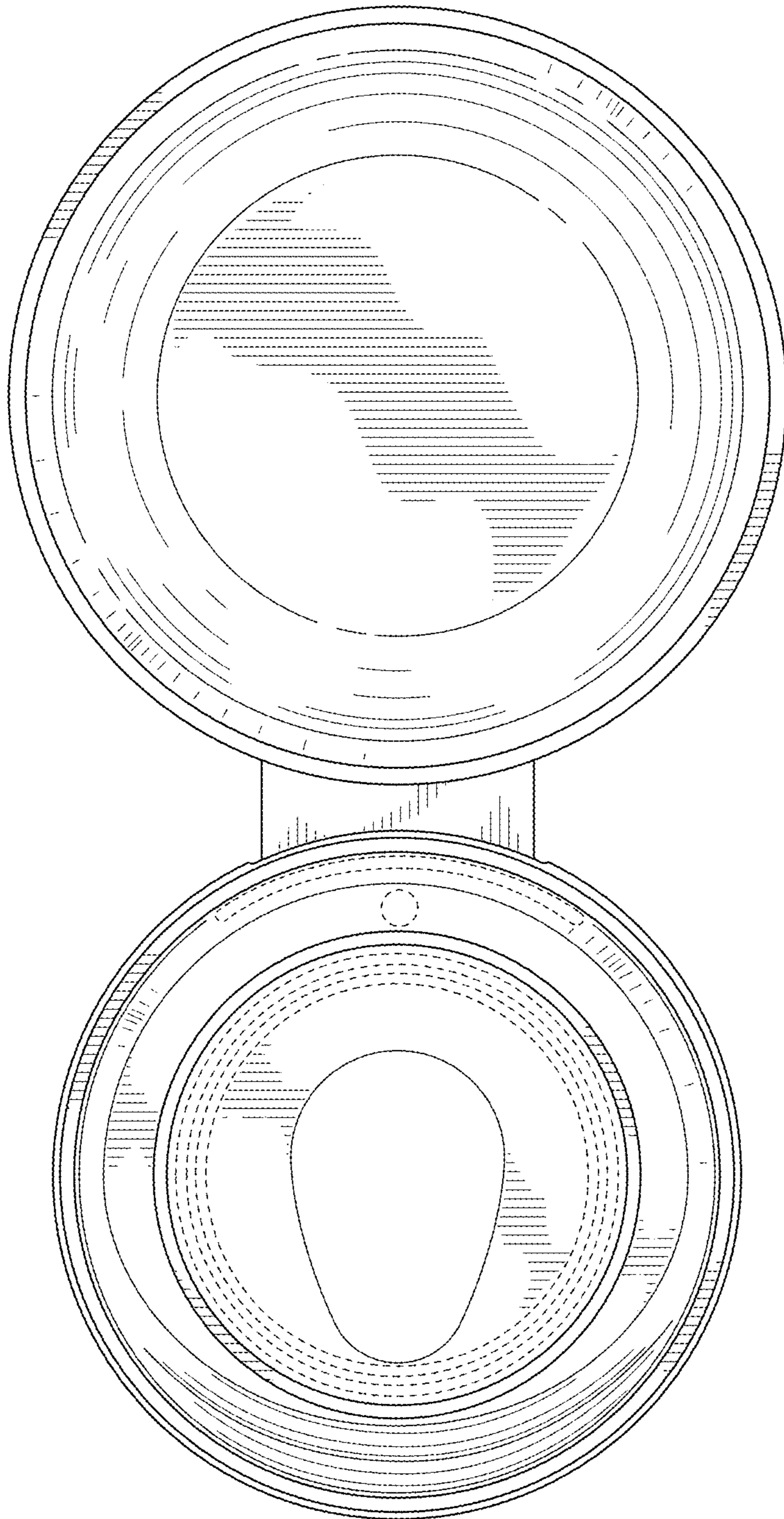


FIG. 8

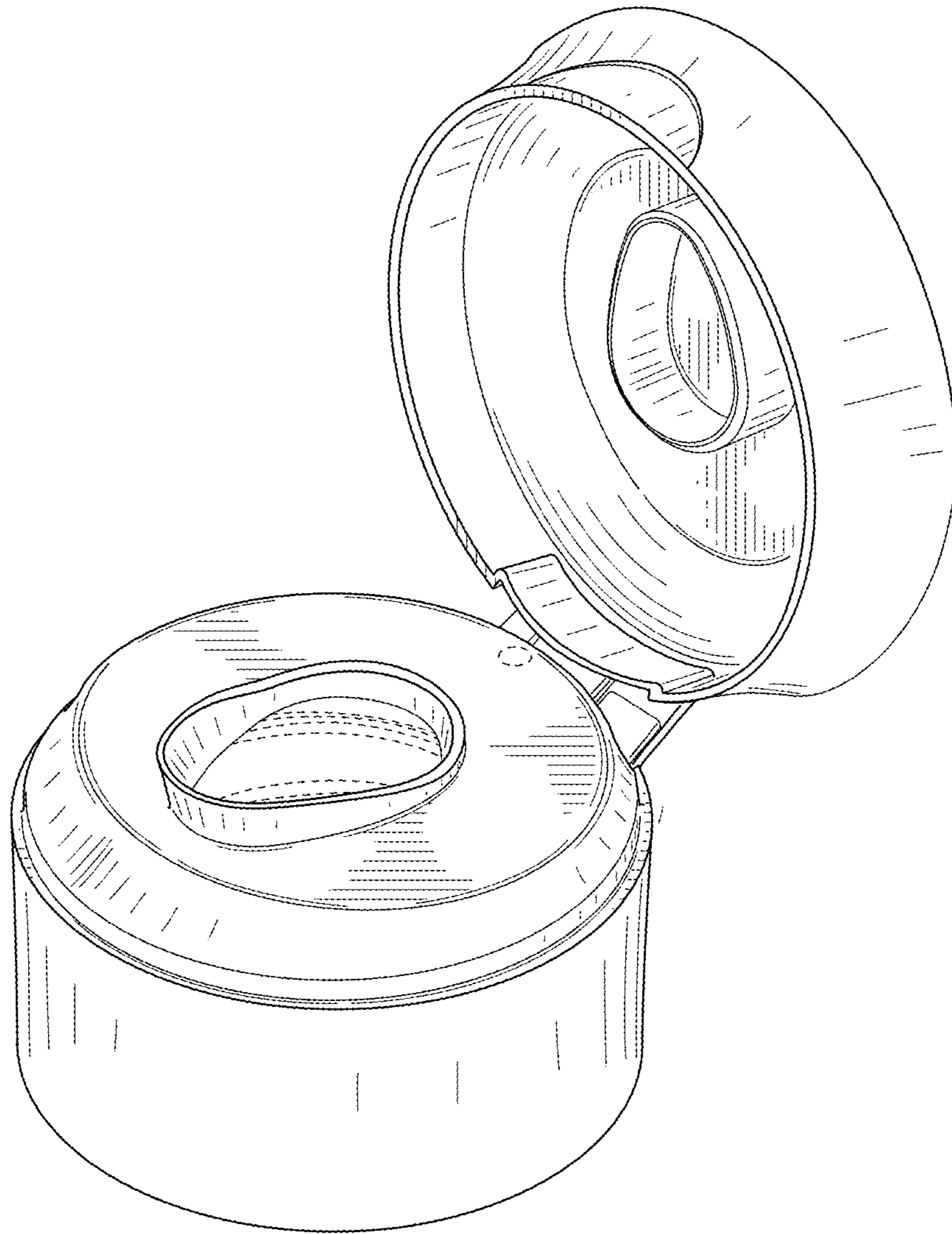
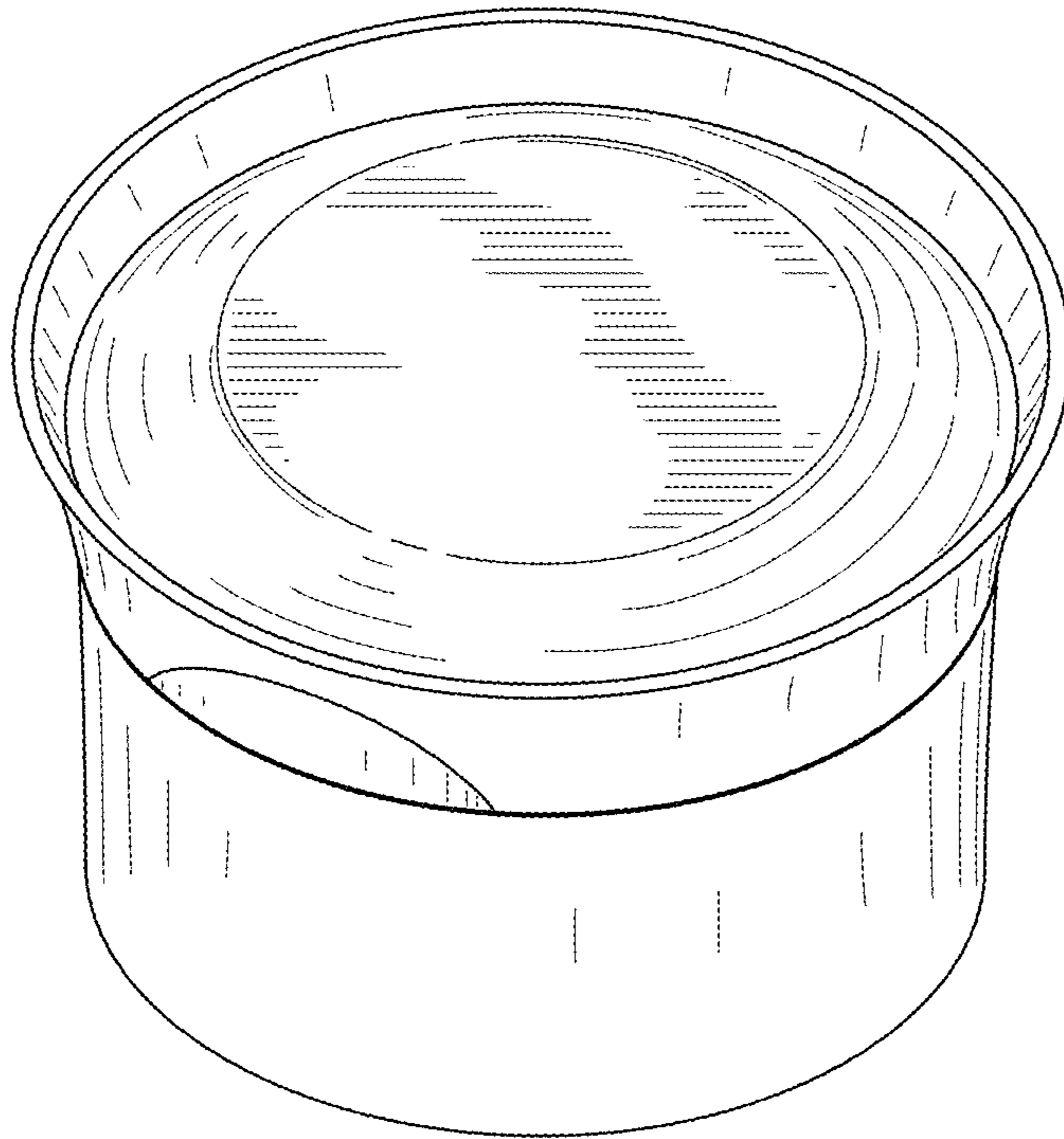
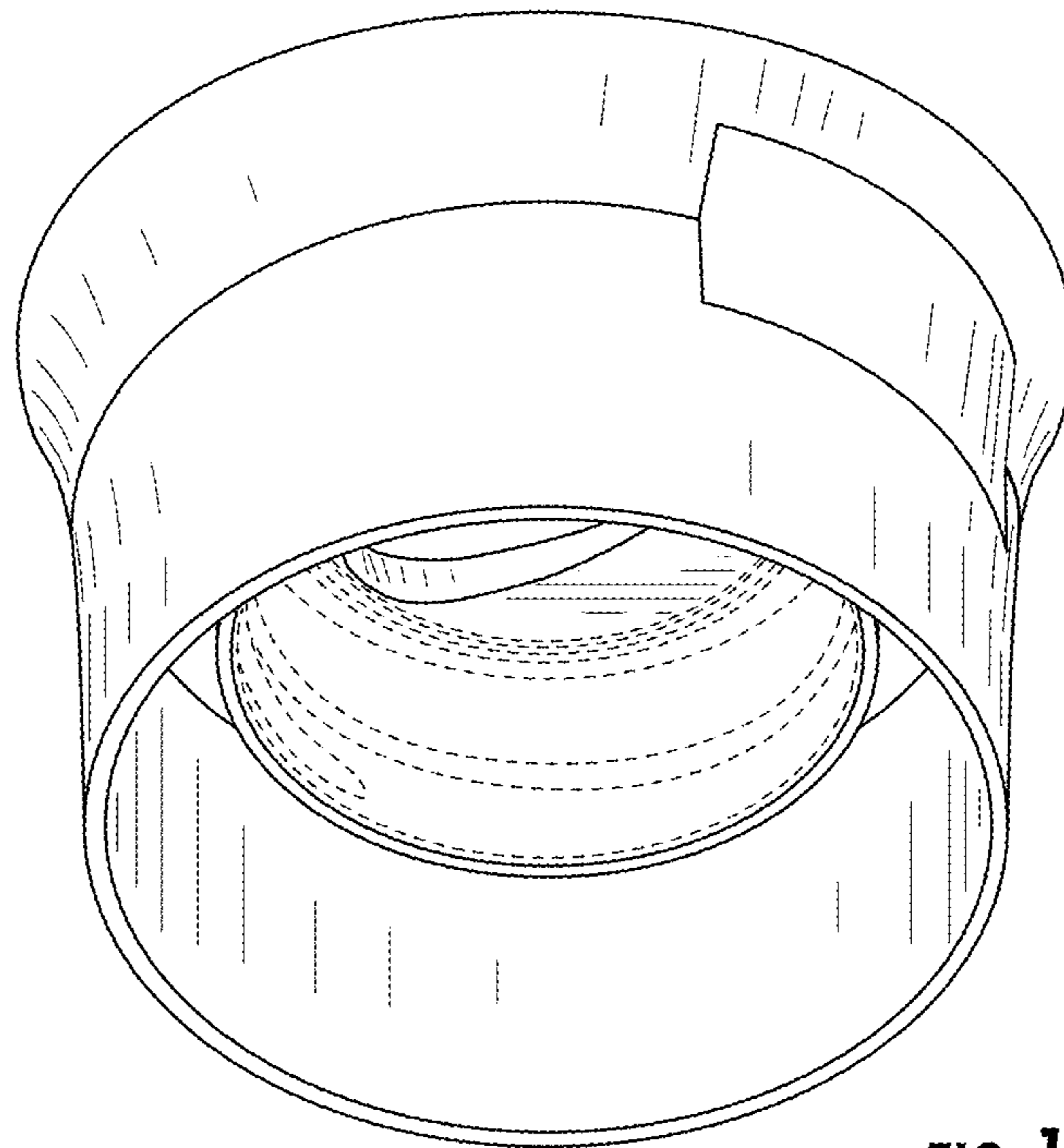


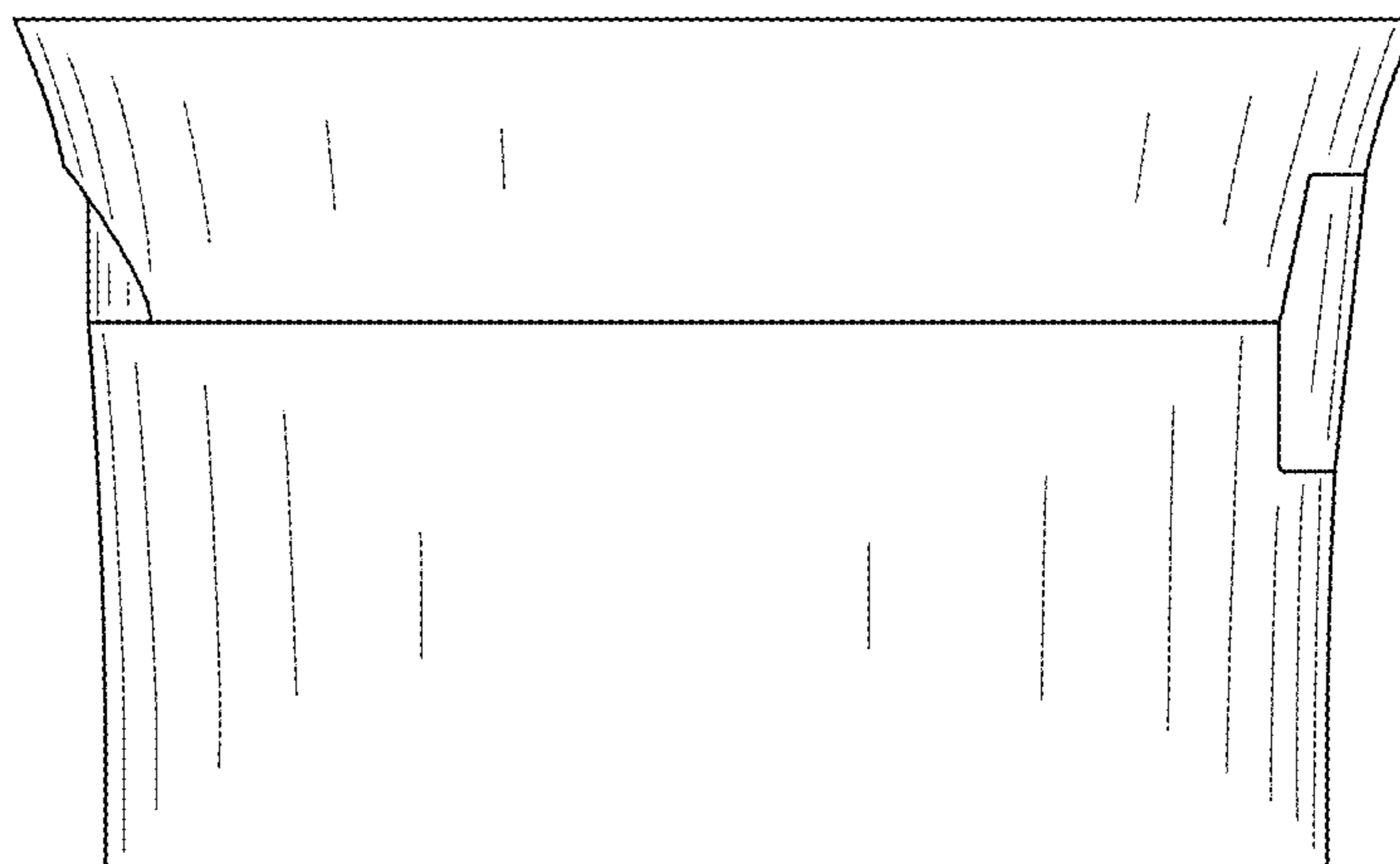
FIG. 9



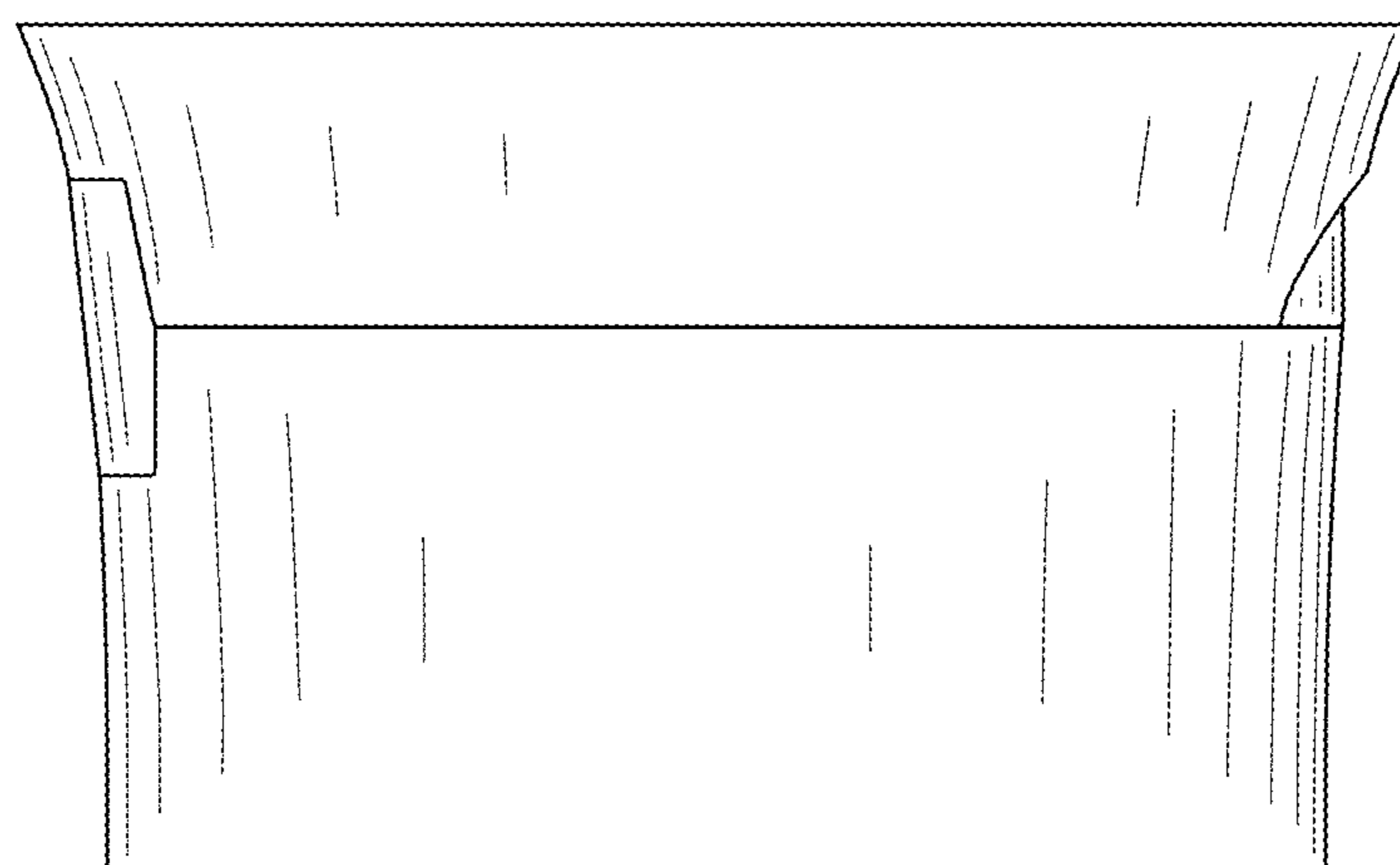
**FIG. 10**



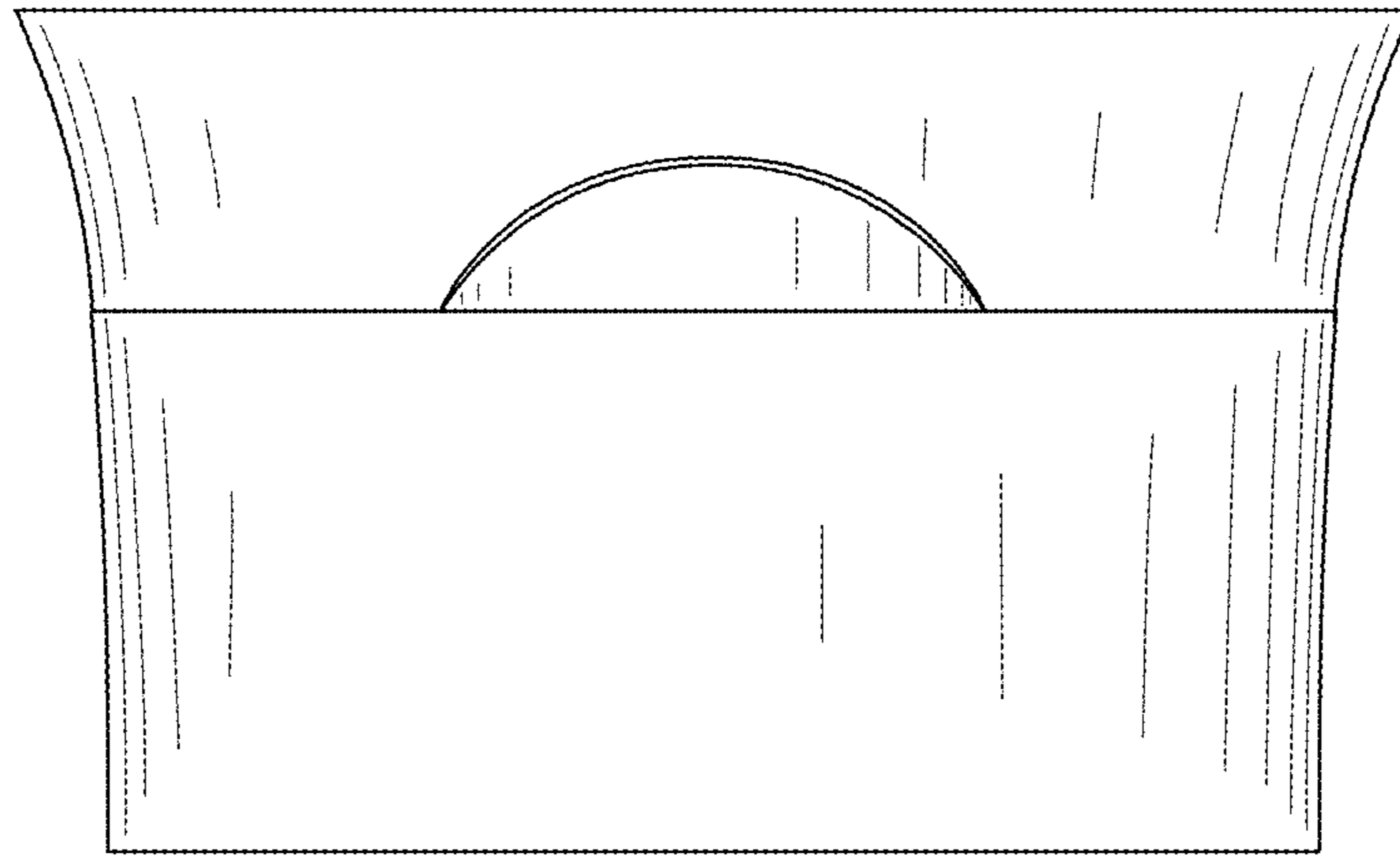
**FIG. 11**



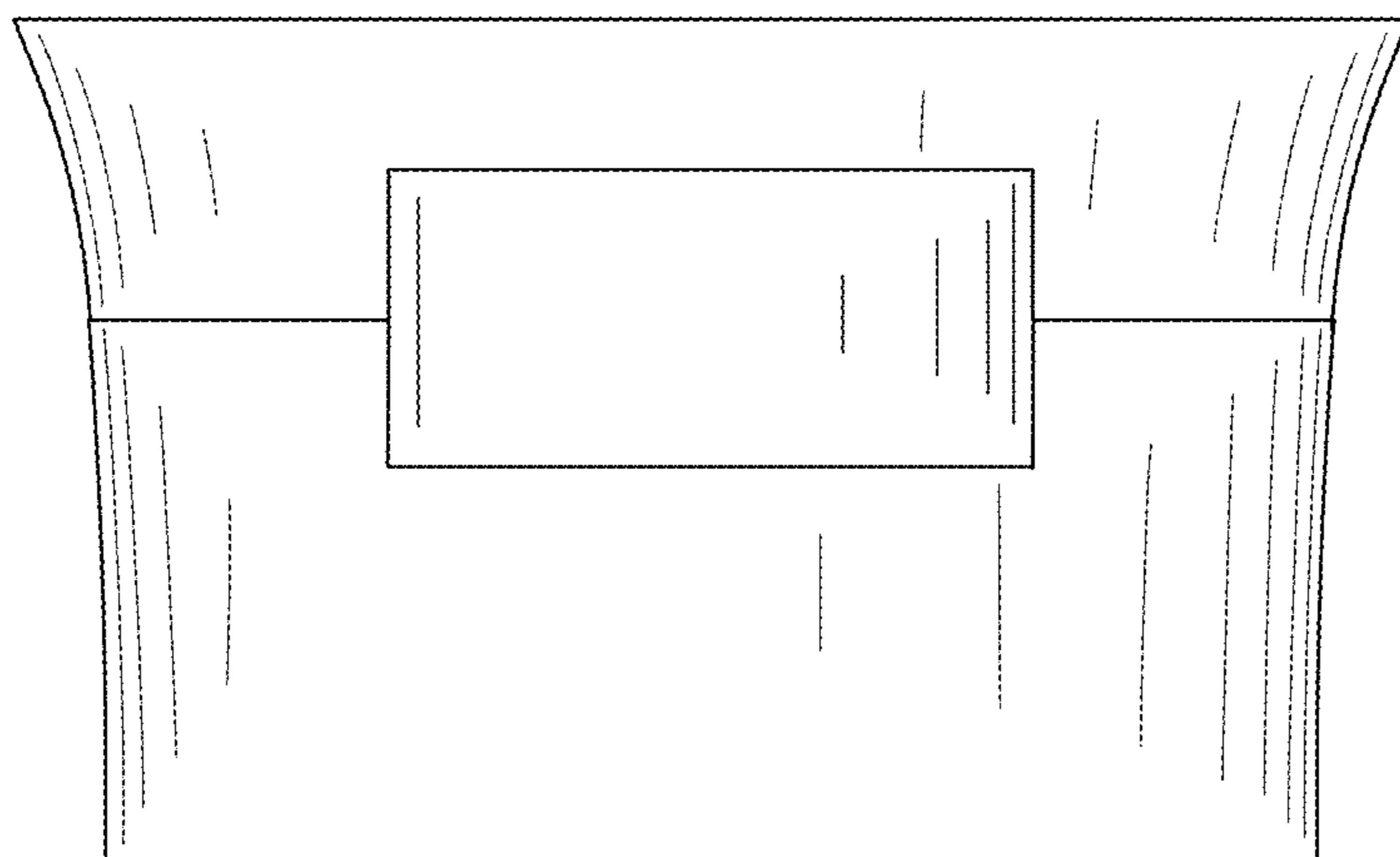
**FIG. 12**



**FIG. 13**



**FIG. 14**



**FIG. 15**

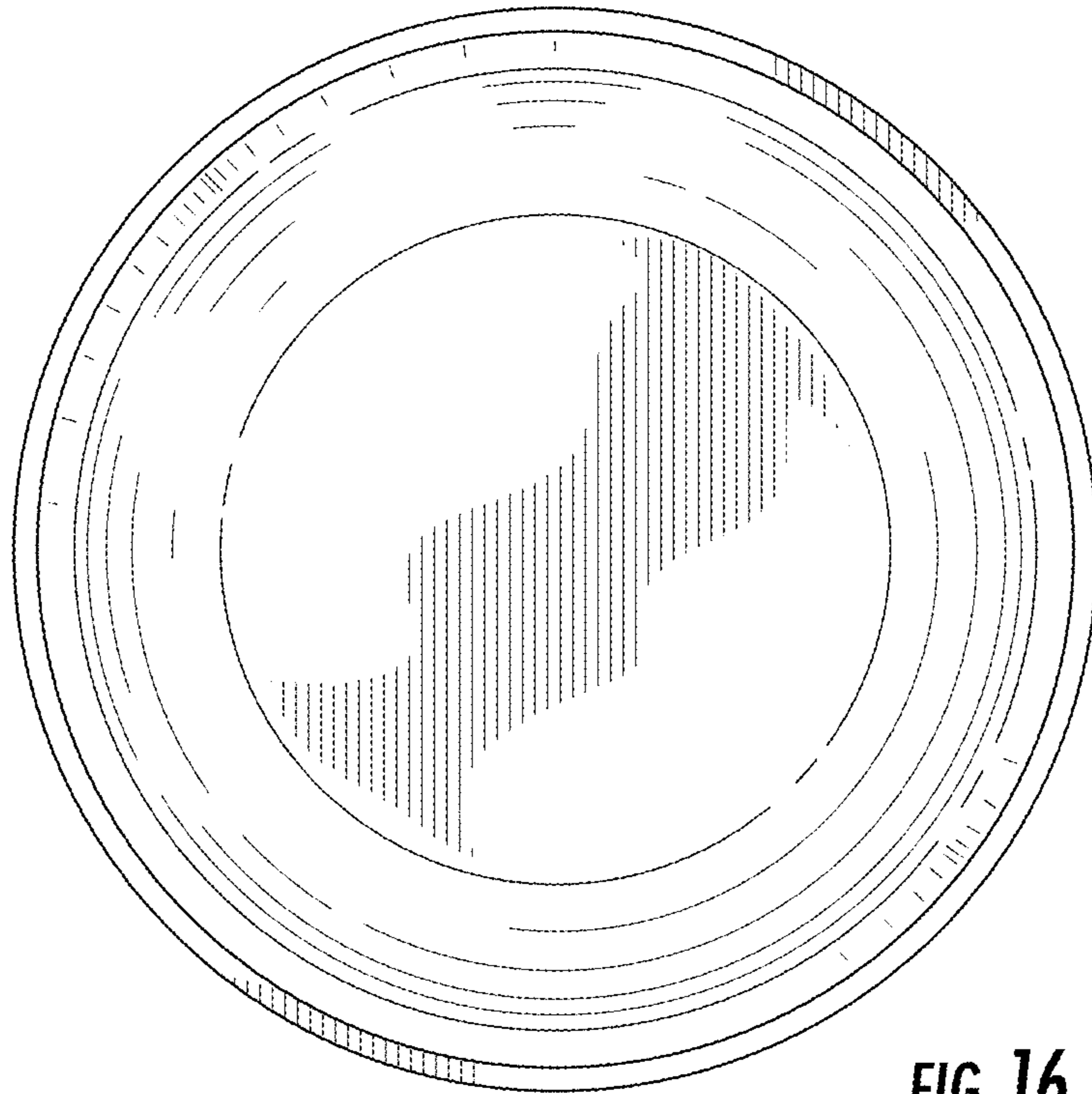


FIG. 16

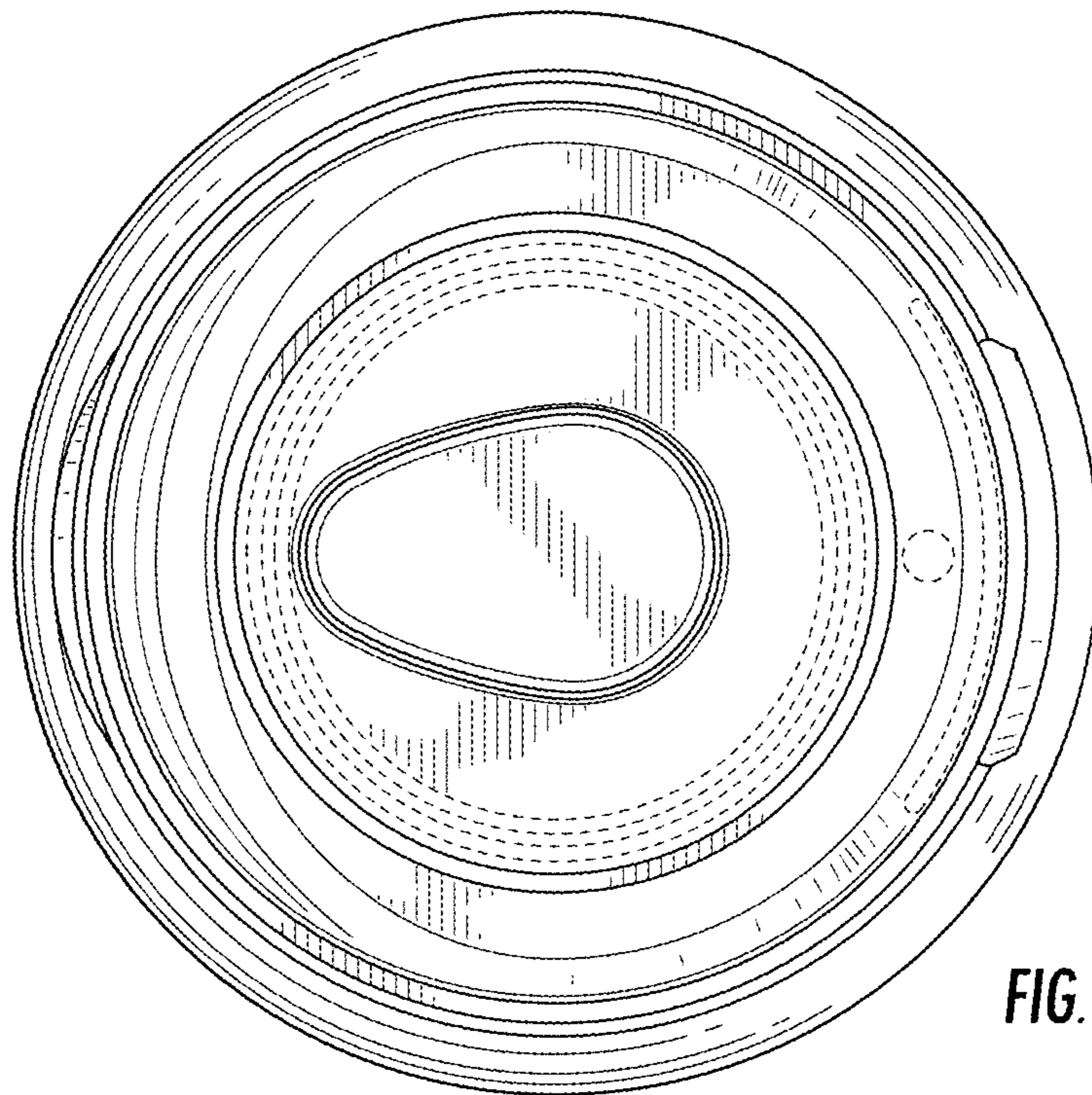


FIG. 17