



US00D920111S

(12) **United States Design Patent**
Bennitt

(10) **Patent No.:** **US D920,111 S**
(45) **Date of Patent:** **** May 25, 2021**

(54) **COMBINED CAP AND DISPENSING NOZZLE**

(71) Applicant: **Tracie Bennitt**, Divide, CO (US)

(72) Inventor: **Tracie Bennitt**, Divide, CO (US)

(**) Term: **15 Years**

(21) Appl. No.: **29/661,000**

(22) Filed: **Aug. 23, 2018**

(51) **LOC (13) Cl.** **09-07**

(52) **U.S. Cl.**
USPC **D9/449**; D9/447

(58) **Field of Classification Search**
USPC D7/392, 392.1, 396.2; D9/434–436, 443,
D9/447, 449, 454, 499, 452, 453, 445;
D8/14.1

CPC B65D 47/128; B65D 2251/0087; B65D
2547/063

See application file for complete search history.

china.com/product/XKFEIrDGhApN/China-Pointed-Mouth-Plastic-Screw-Cap-for-Cosmetic-Squeeze-Bottle.html (Year: 0).*

Dormex. Arts & Crafts Products. No date specified. <http://dormex.org.uk/Arts-and-Crafts.shtml> (Year: 0).*

Youtube. Gorilla Super Glue. Oct. 22, 2018. https://www.youtube.com/watch?v=8RYAnW_iFg0 (Year: 2018).*

Youtube. Gorilla Super Glue Product Video. Oct. 27, 2011. <https://www.youtube.com/watch?v=MrHQKEhzQg0> (Year: 2011).*

* cited by examiner

Primary Examiner — Darcey E Gottschalk
(74) *Attorney, Agent, or Firm* — Aspire IP, LLC; Scott J. Hawranek

(56) **References Cited**

U.S. PATENT DOCUMENTS

884,761 A * 4/1908 Richard B65D 47/265
222/542

D688,127 S * 8/2013 Agassi D9/440

8,887,968 B1 * 11/2014 Call B65D 47/06
215/11.1

D735,350 S * 7/2015 Eckstein D24/220

D774,908 S * 12/2016 Eckstein D24/130

D789,790 S * 6/2017 Eckstein D9/447

D790,341 S * 6/2017 Ross D9/447

D817,168 S * 5/2018 Barabino D9/447

D840,814 S * 2/2019 Willis D9/447

D847,560 S * 5/2019 Calland D7/392.1

D860,788 S * 9/2019 Abadilla D9/447

2010/0032432 A1 * 2/2010 Stull, Sr. B65D 47/10
220/257.1

2019/0078248 A1 * 3/2019 Bennitt D06B 3/06

OTHER PUBLICATIONS

Made-in-China. Pointed Mouth Plastic Screw Cap for Cosmetic Squeeze Bottle. No date specified. <https://sm-sprayer.en.made-in->

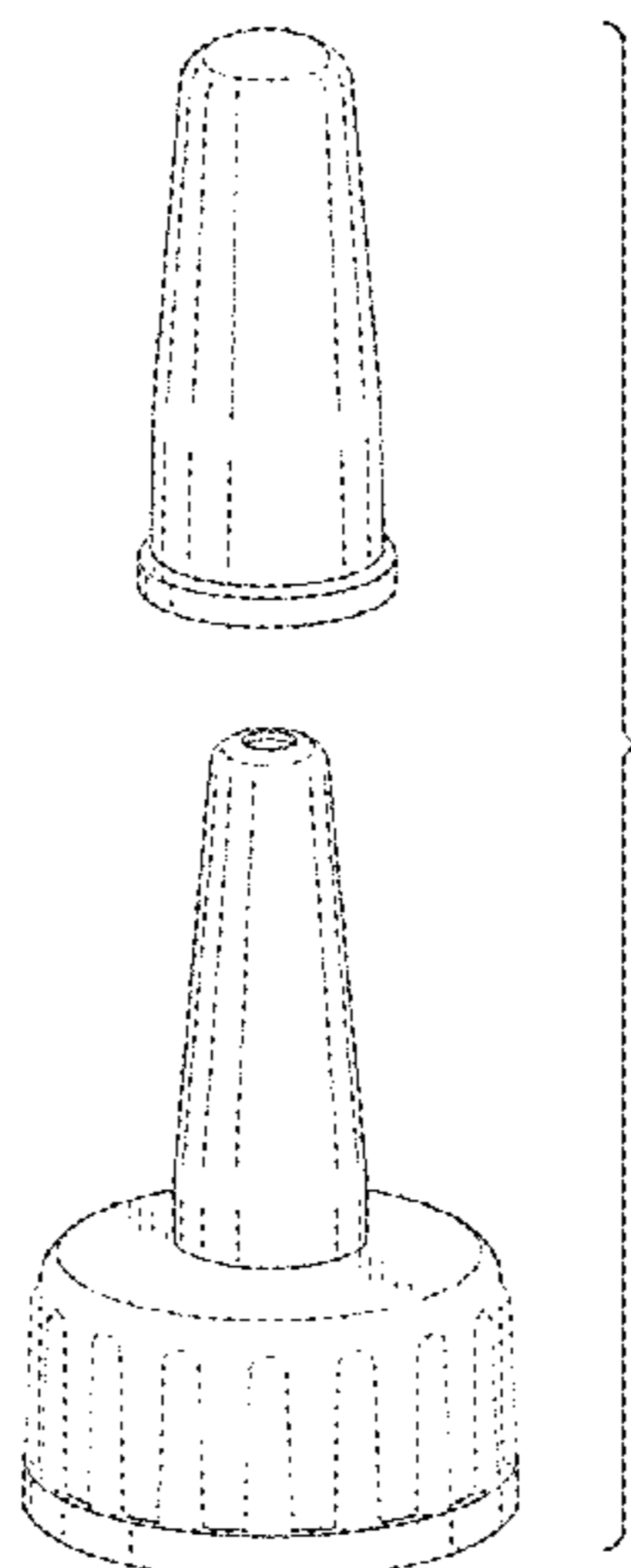
(57) **CLAIM**

I claim the ornamental design for a combined cap and dispensing nozzle, substantially as shown and described.

DESCRIPTION

FIG. 1 is a perspective view of a combined cap and dispensing nozzle in accordance with the present design shown with the cap removed for clarity of disclosure; FIG. 2 is a right side elevation view thereof; FIG. 3 is a left side elevation view thereof; FIG. 4 is a front elevation view thereof; FIG. 5 is a rear elevation view thereof; FIG. 6 is a bottom plan view thereof; FIG. 7 is a top plan view thereof; FIG. 8 is an exploded perspective view of a combination dispensing nozzle and cap for the nozzle in accordance with the present design; and, FIG. 9 is a perspective view of the combined cap and dispensing nozzle shown in FIG. 1 in an environment of use. The features shown in broken lines in the various figures form no part of the claimed design.

1 Claim, 6 Drawing Sheets



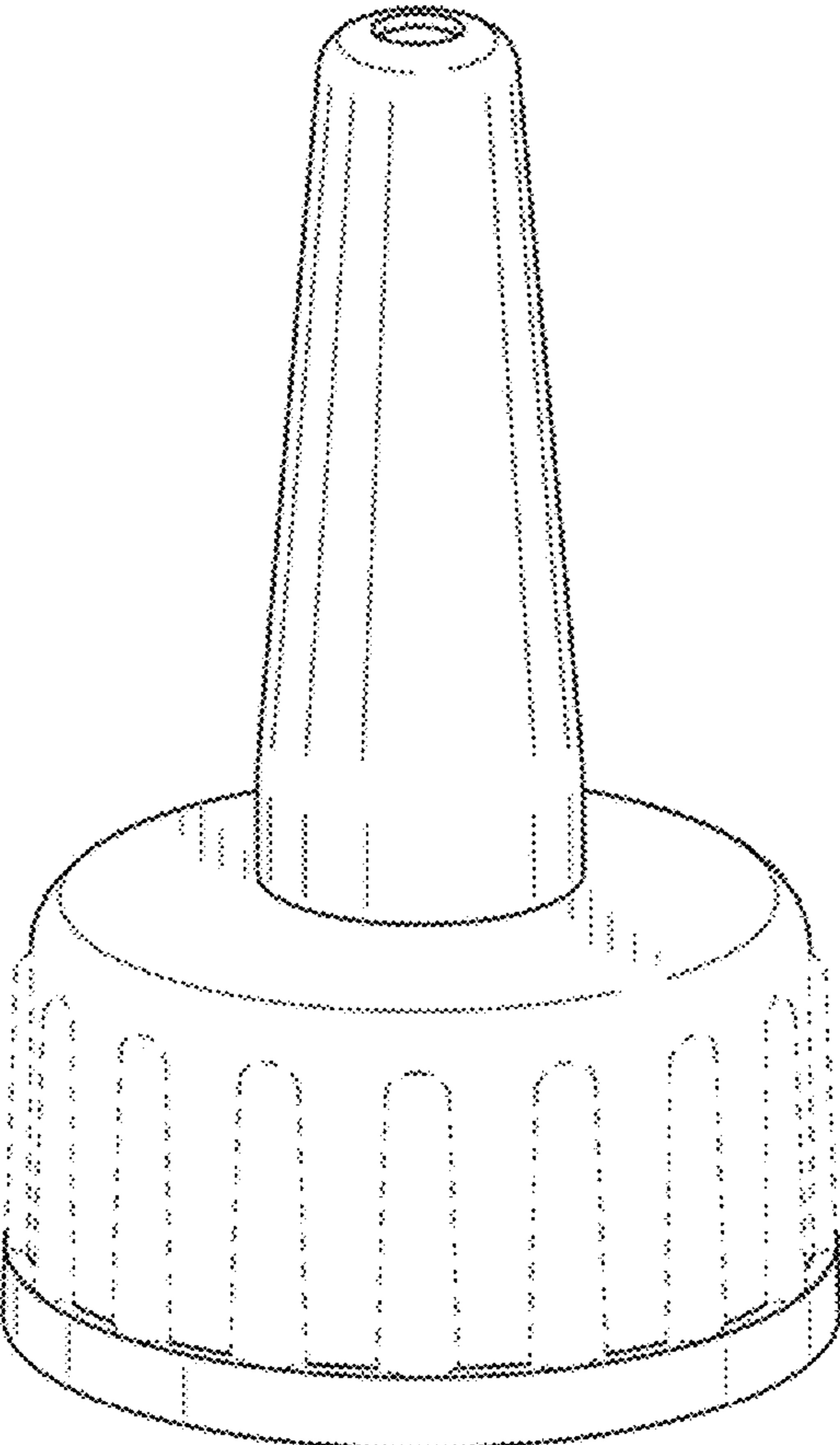


FIG. 1

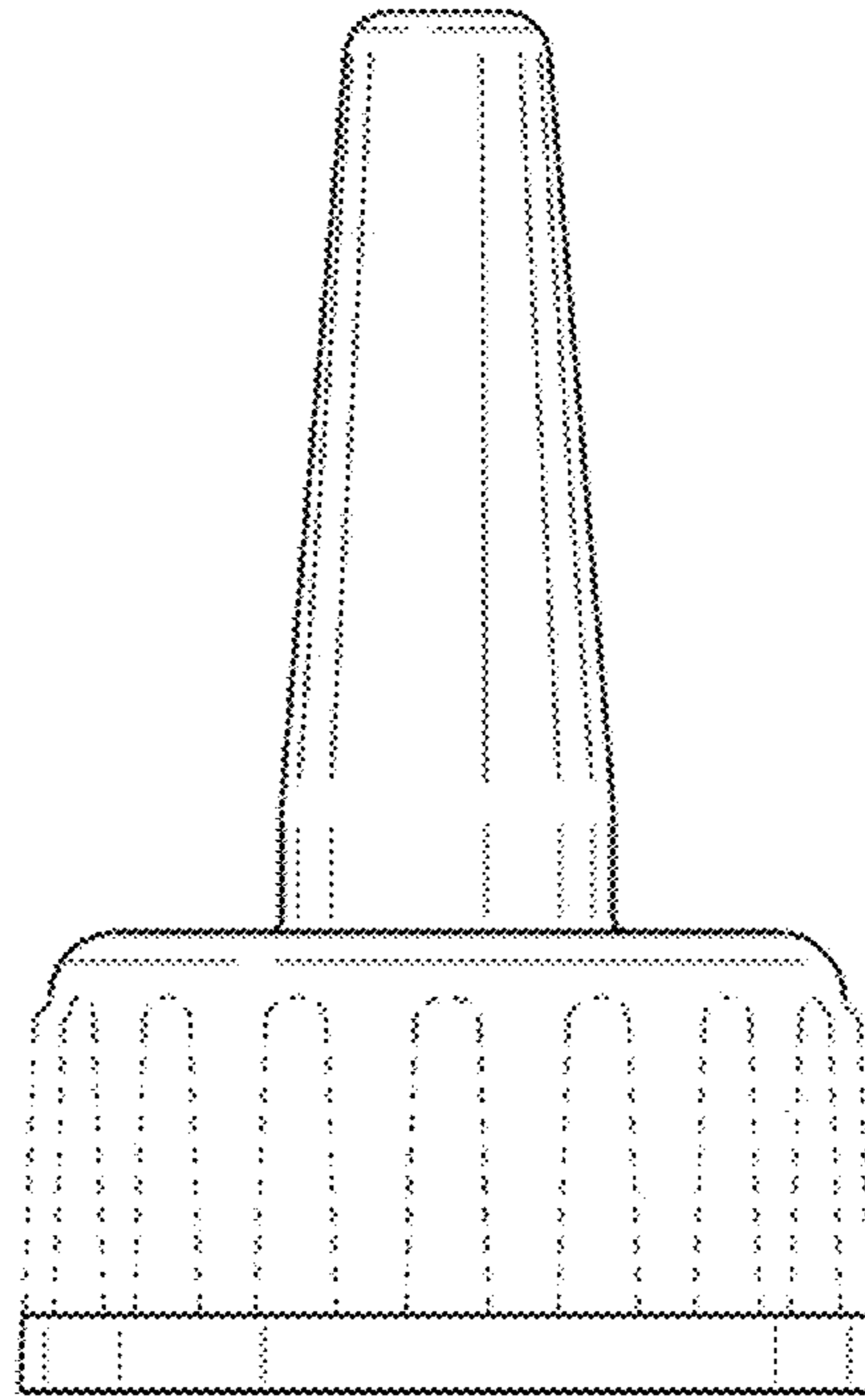


FIG. 2

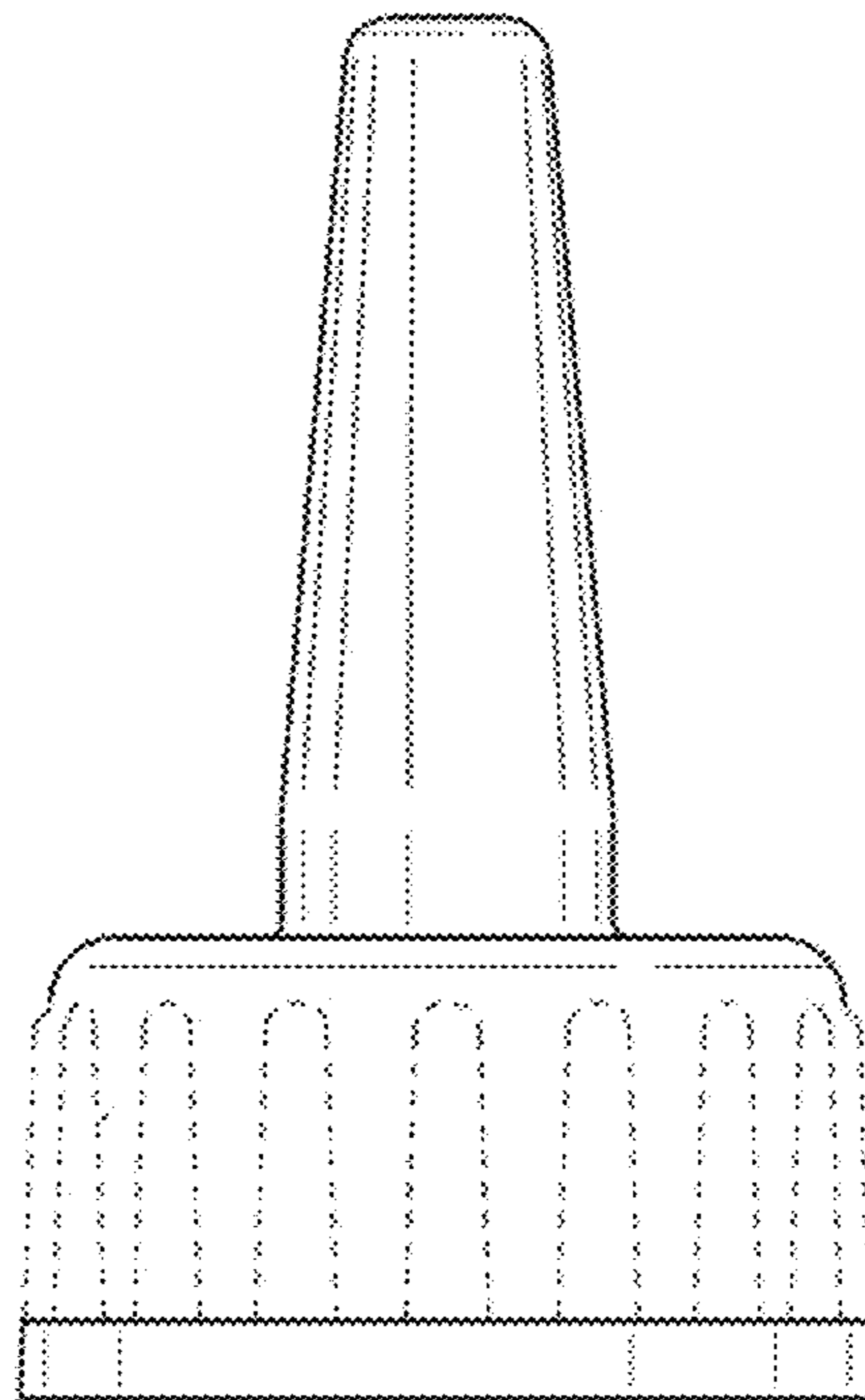


FIG. 3

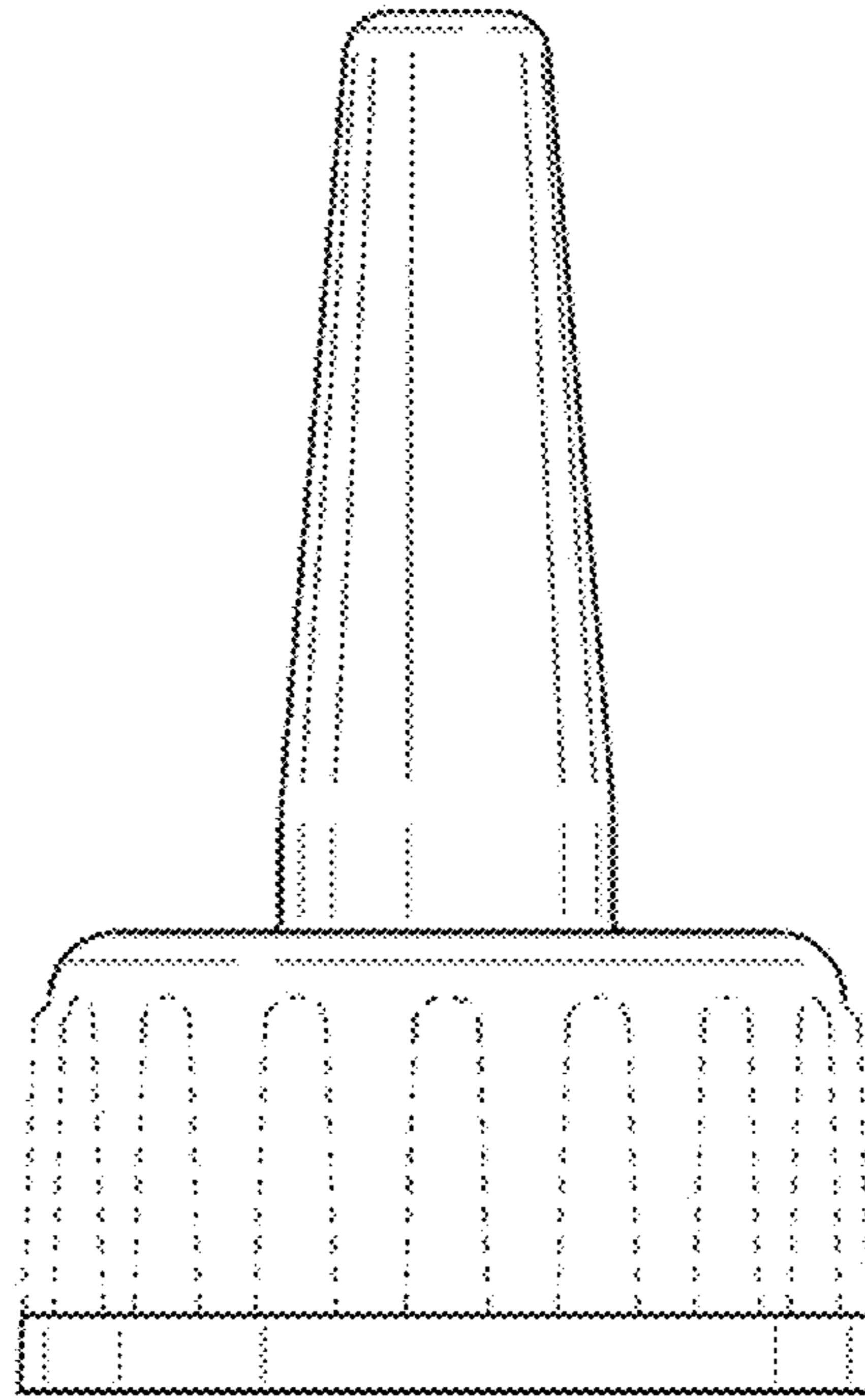


FIG. 4

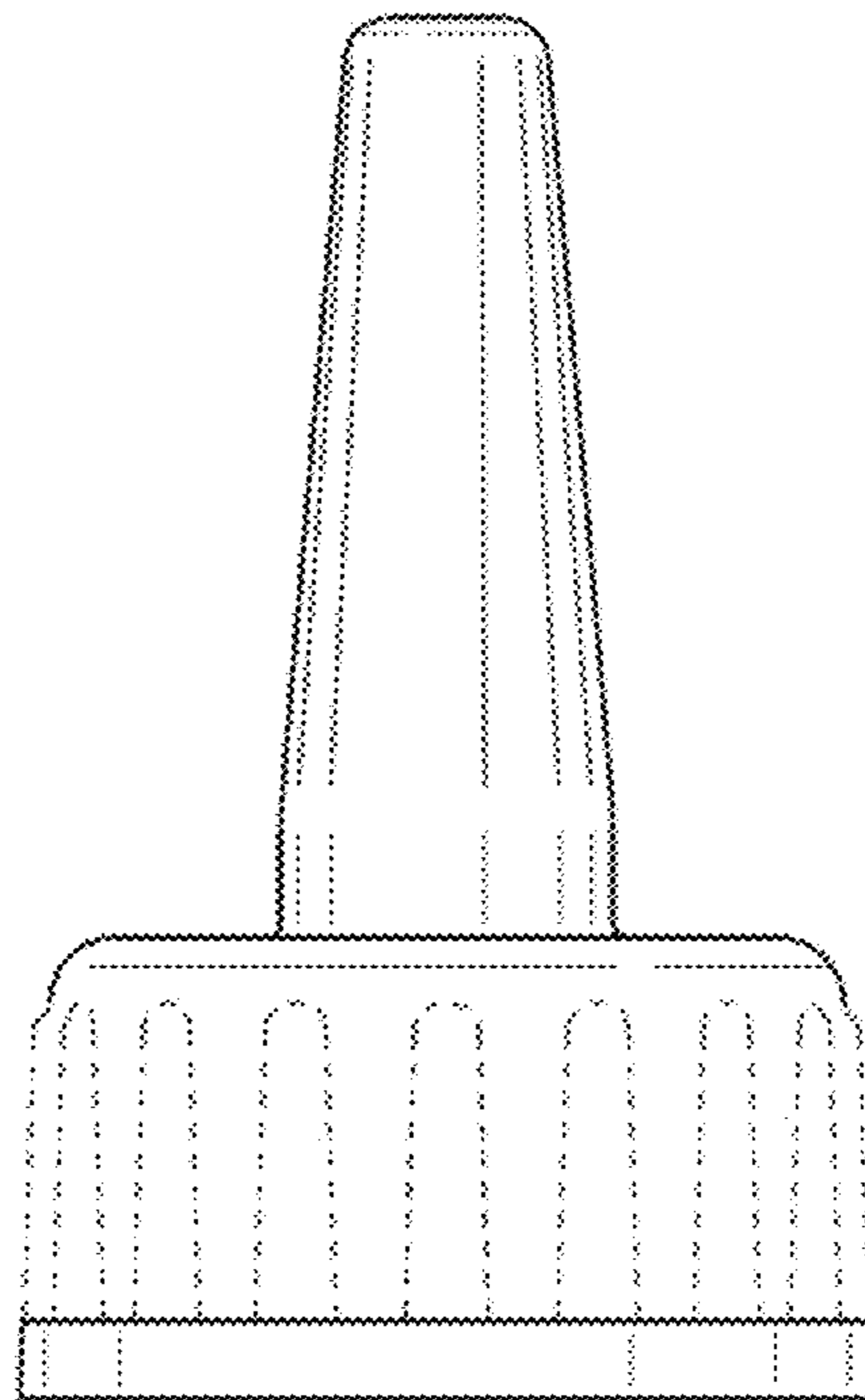


FIG. 5

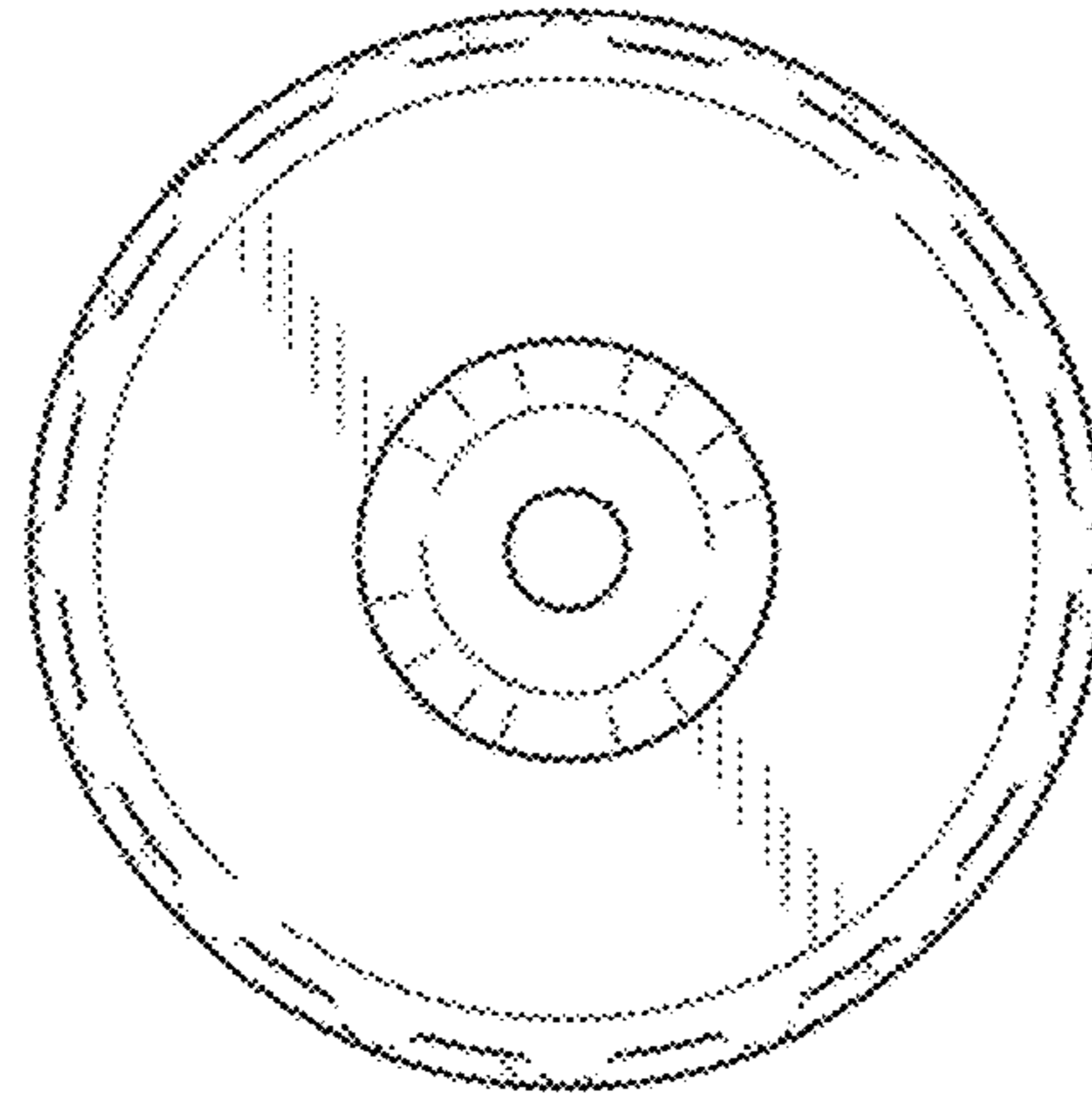


FIG. 6

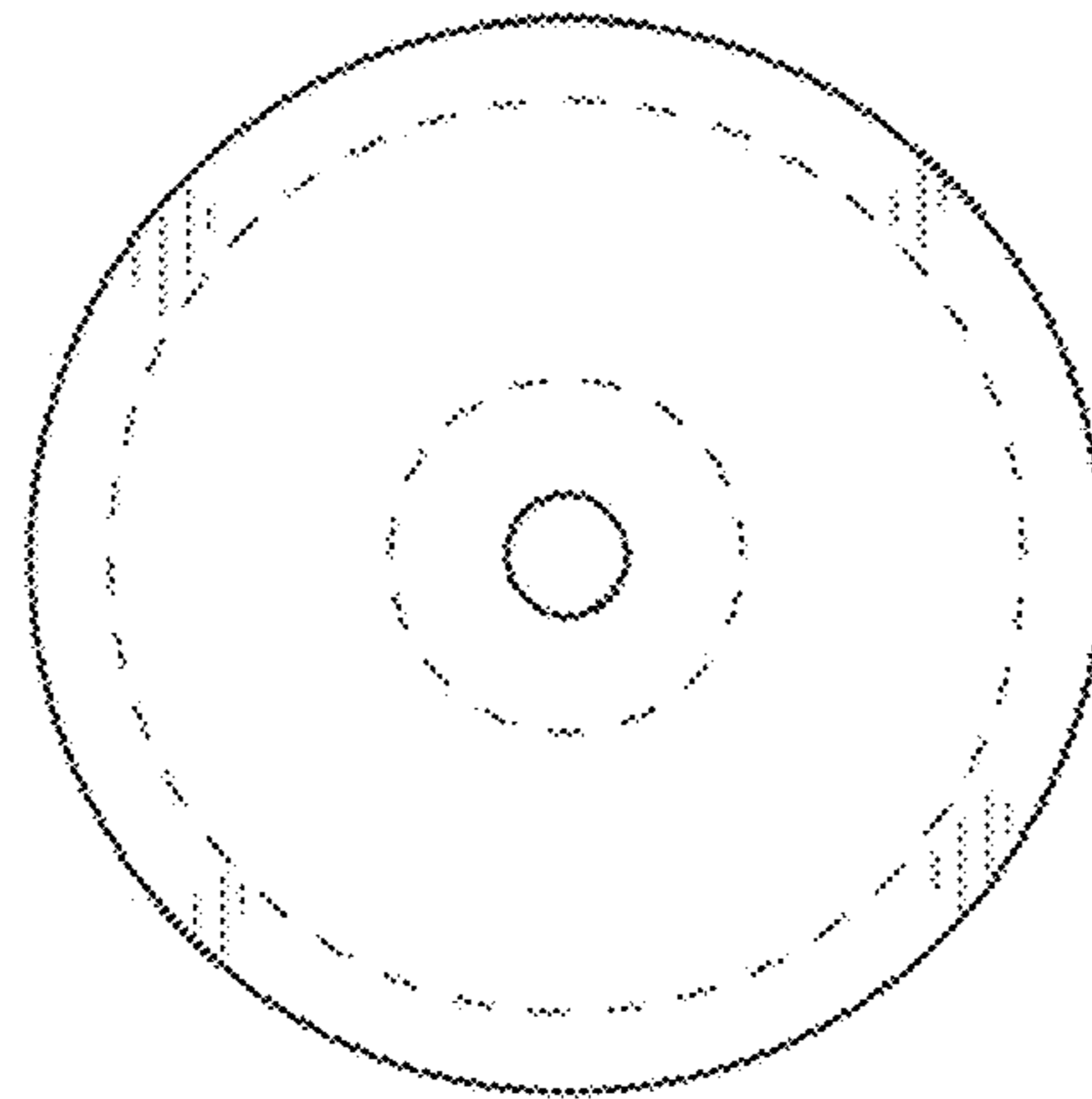


FIG. 7

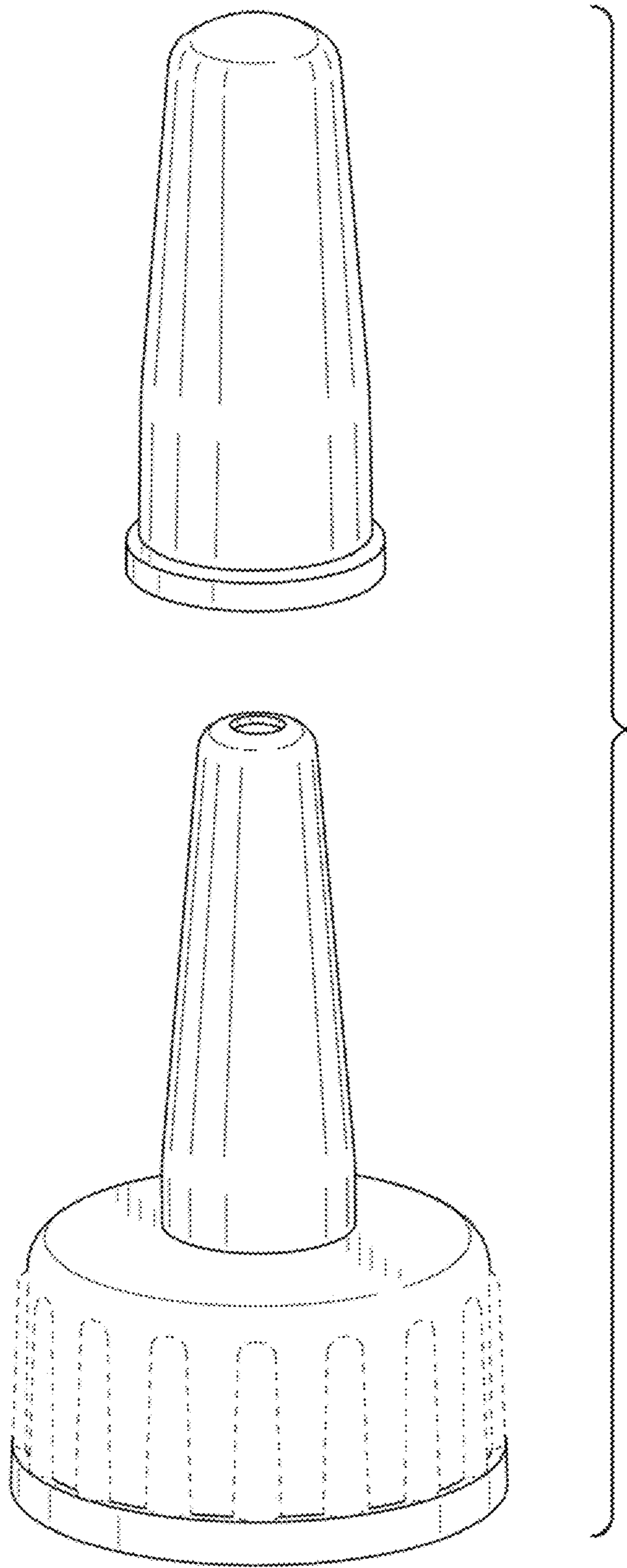


FIG. 8

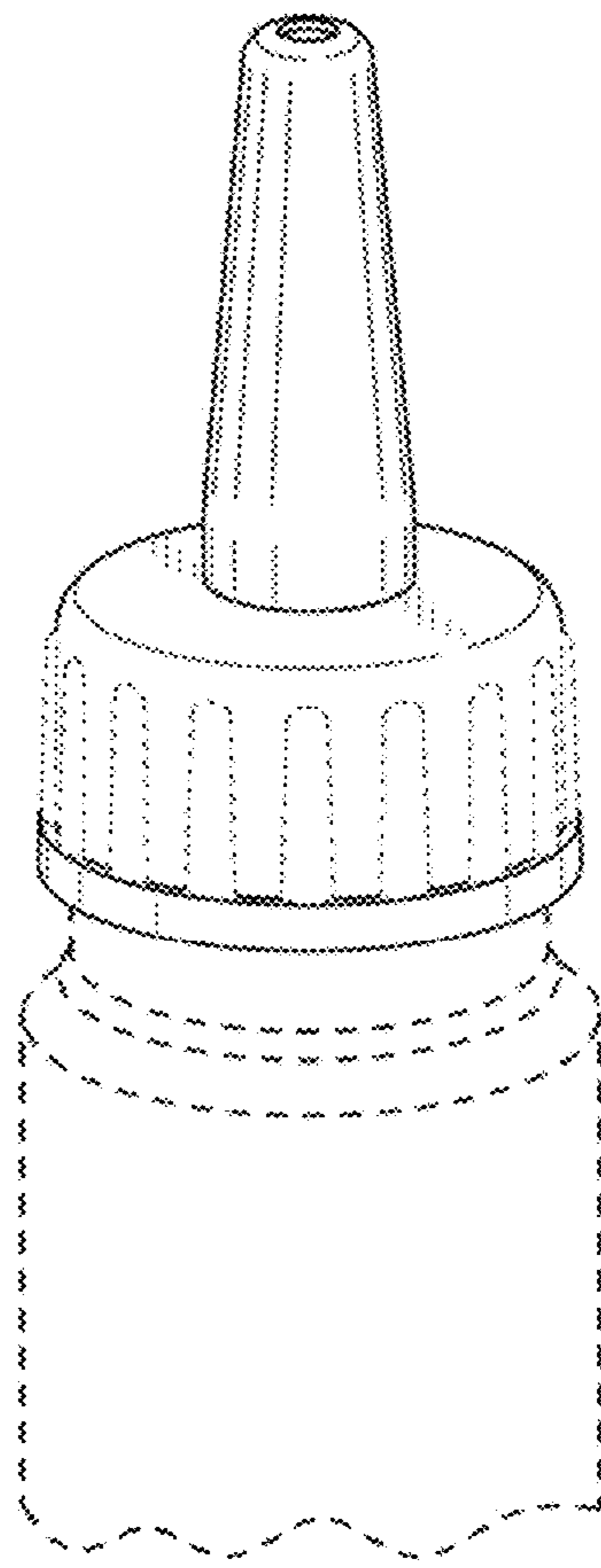


FIG. 9