



US00D920110S

(12) **United States Design Patent**  
**Partsch, IV**

(10) **Patent No.:** **US D920,110 S**

(45) **Date of Patent:** **\*\* May 25, 2021**

(54) **HYGIENE RINSE CAP**

(71) Applicant: **George J. Partsch, IV**, Brea, CA (US)

(72) Inventor: **George J. Partsch, IV**, Brea, CA (US)

(\*\*) Term: **15 Years**

(21) Appl. No.: **29/710,335**

(22) Filed: **Oct. 22, 2019**

(51) **LOC (13) Cl.** ..... **09-07**

(52) **U.S. Cl.**  
USPC ..... **D9/447; D9/451**

(58) **Field of Classification Search**

USPC ..... D9/434, 435, 439, 440, 442–450, 451,  
D9/452–457, 499, 503–505, 600, 669,  
D9/682, 685, 686; D7/387, 391, 392,  
D7/392.1, 396.1, 396.2, 507, 509–511,  
D7/538, 900; D3/202, 203.2, 294, 318;  
D28/91, 91.1; D24/108, 111, 112;  
D23/213, 223

CPC .. A61J 1/00; A61J 1/1412; B65D 1/00; B65D  
1/02; B65D 1/10; B65D 1/46; B65D  
5/46; B65D 41/00; B65D 41/38; B65D  
41/56; B65D 41/62; B65D 47/00; B65D  
47/06; B65D 47/08; B65D 2251/00;  
B65D 2543/00046; B65D 2543/00092;  
B65D 2543/00296

See application file for complete search history.

(56) **References Cited**

**U.S. PATENT DOCUMENTS**

D93,864 S \* 11/1934 Bitner ..... D7/392  
D105,256 S \* 7/1937 Amrine ..... D9/443  
D108,945 S \* 3/1938 Hart ..... D7/392  
D139,762 S \* 12/1944 Mudge ..... D9/447  
D160,491 S \* 10/1950 Goldman ..... D9/447  
D166,536 S \* 4/1952 Harris ..... D9/448

D166,537 S \* 4/1952 Harris ..... D9/448  
D231,639 S \* 5/1974 Gambello ..... D24/111  
D263,933 S \* 4/1982 Jones ..... D9/447  
D271,858 S \* 12/1983 Martin ..... D9/447  
D292,676 S \* 11/1987 Mileto ..... D9/454  
D294,680 S \* 3/1988 Pappert ..... D9/451  
D326,819 S \* 6/1992 Border ..... D9/435  
D332,403 S \* 1/1993 Johnson, III ..... D9/451  
D381,042 S \* 7/1997 Roche ..... D9/451  
D447,416 S \* 9/2001 Anderson ..... D9/451  
D509,432 S \* 9/2005 Hierzer ..... D9/447  
D529,395 S \* 10/2006 Terrasi ..... D9/669  
D530,009 S \* 10/2006 Lyman ..... D24/108  
D603,261 S \* 11/2009 Arnell ..... D9/453  
D604,159 S \* 11/2009 Pugne ..... D9/449  
D692,270 S \* 10/2013 Lapsker ..... D9/447  
2010/0102094 A1 \* 4/2010 Rice ..... B65D 41/04  
141/18  
2019/0276199 A1 \* 9/2019 Wood ..... B65D 25/46

\* cited by examiner

*Primary Examiner* — Wendy L Arminio  
(74) *Attorney, Agent, or Firm* — WPAT Law, P.C.;  
Anthony King

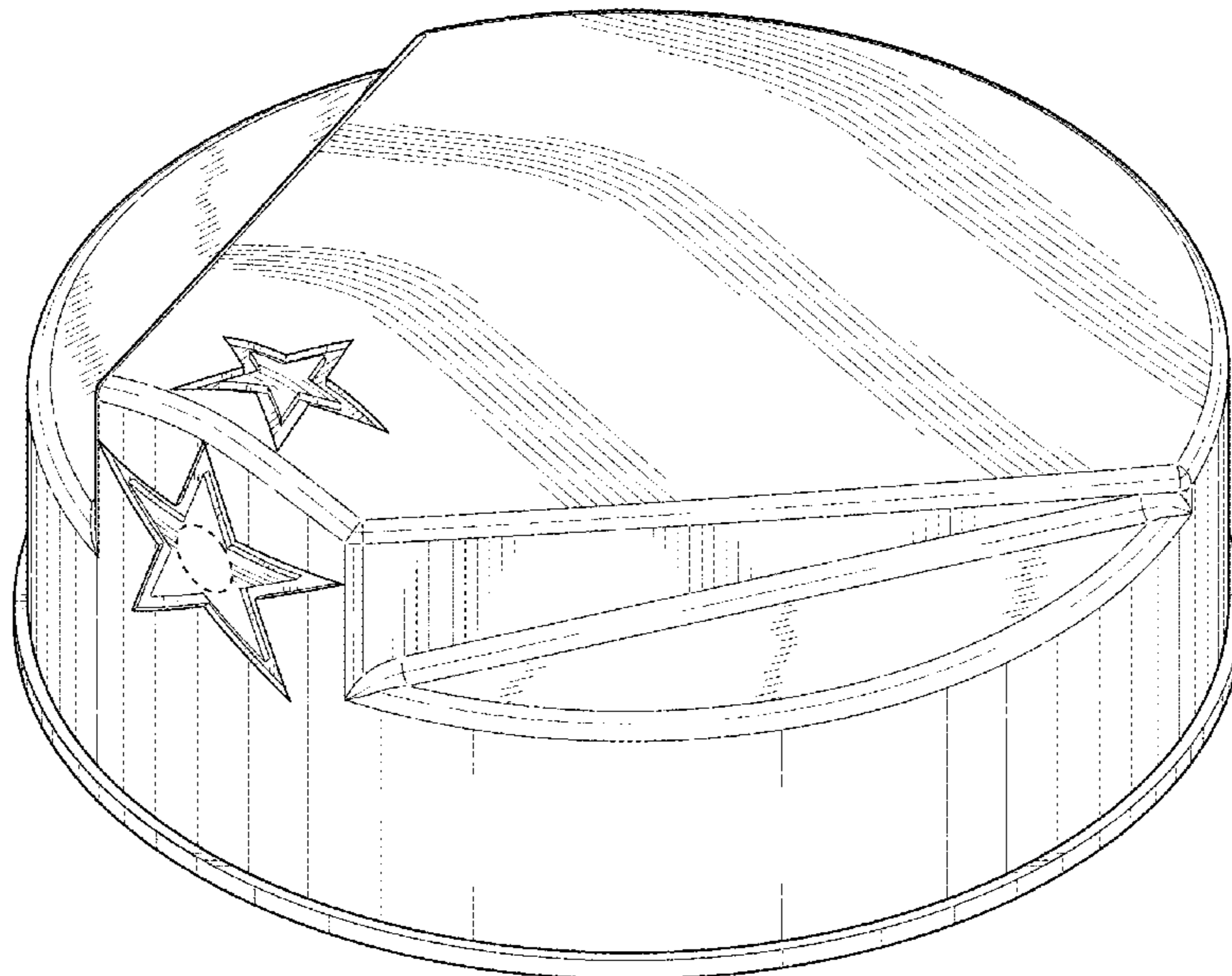
(57) **CLAIM**

The ornamental design for a hygiene rinse cap, as shown and described.

**DESCRIPTION**

FIG. 1 is a perspective view of the hygiene rinse cap;  
FIG. 2 is a right side view of the hygiene rinse cap of FIG. 1;  
FIG. 3 is a left side view of the hygiene rinse cap of FIG. 1;  
FIG. 4 is a front view of the hygiene rinse cap of FIG. 1;  
FIG. 5 is a back view of the hygiene rinse cap of FIG. 1;  
FIG. 6 is a top view of the hygiene rinse cap of FIG. 1; and,  
FIG. 7 is a bottom view of the hygiene rinse cap of FIG. 1.  
The broken lines depict portions of the hygiene rinse cap that form no part of the claimed design.

**1 Claim, 5 Drawing Sheets**



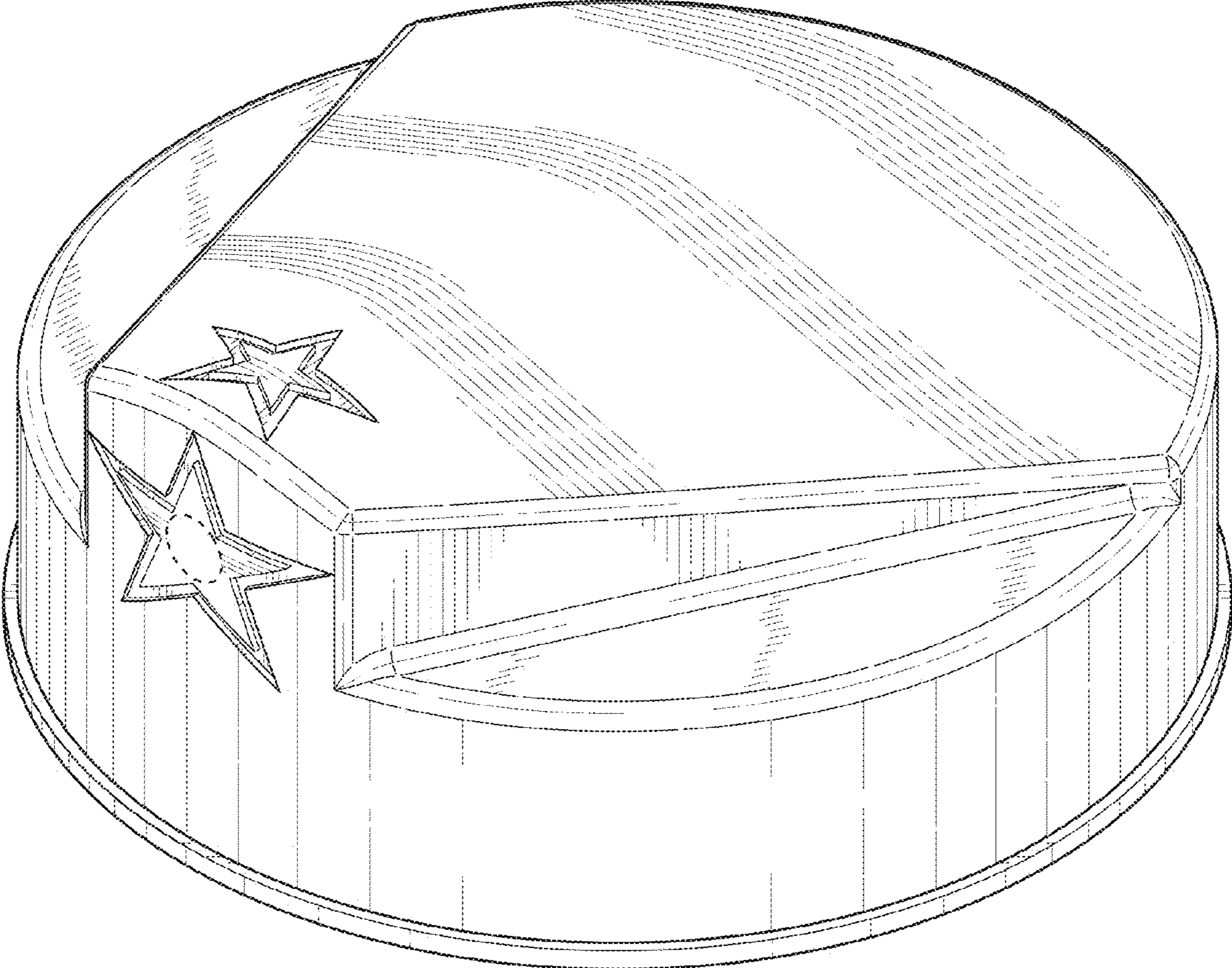


FIG. 1

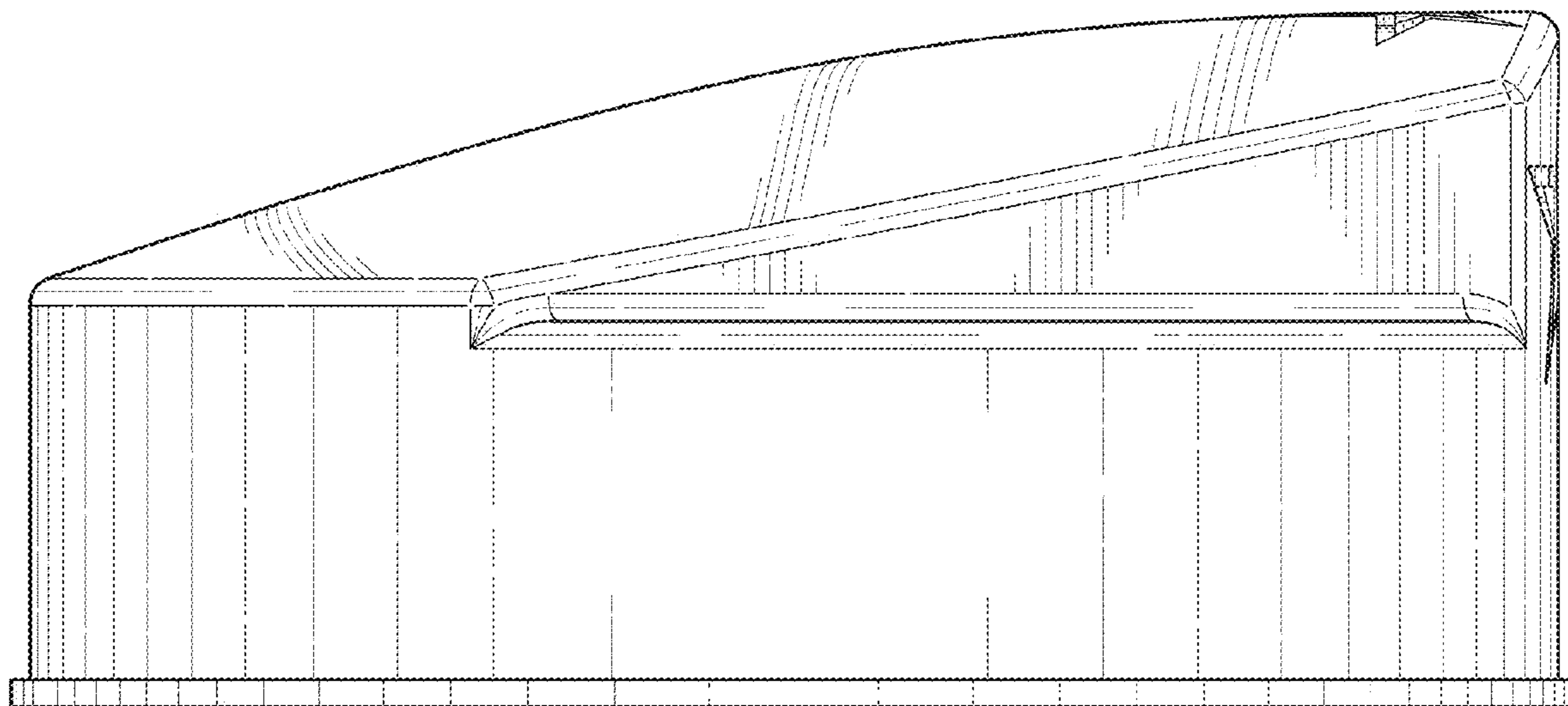


FIG. 2

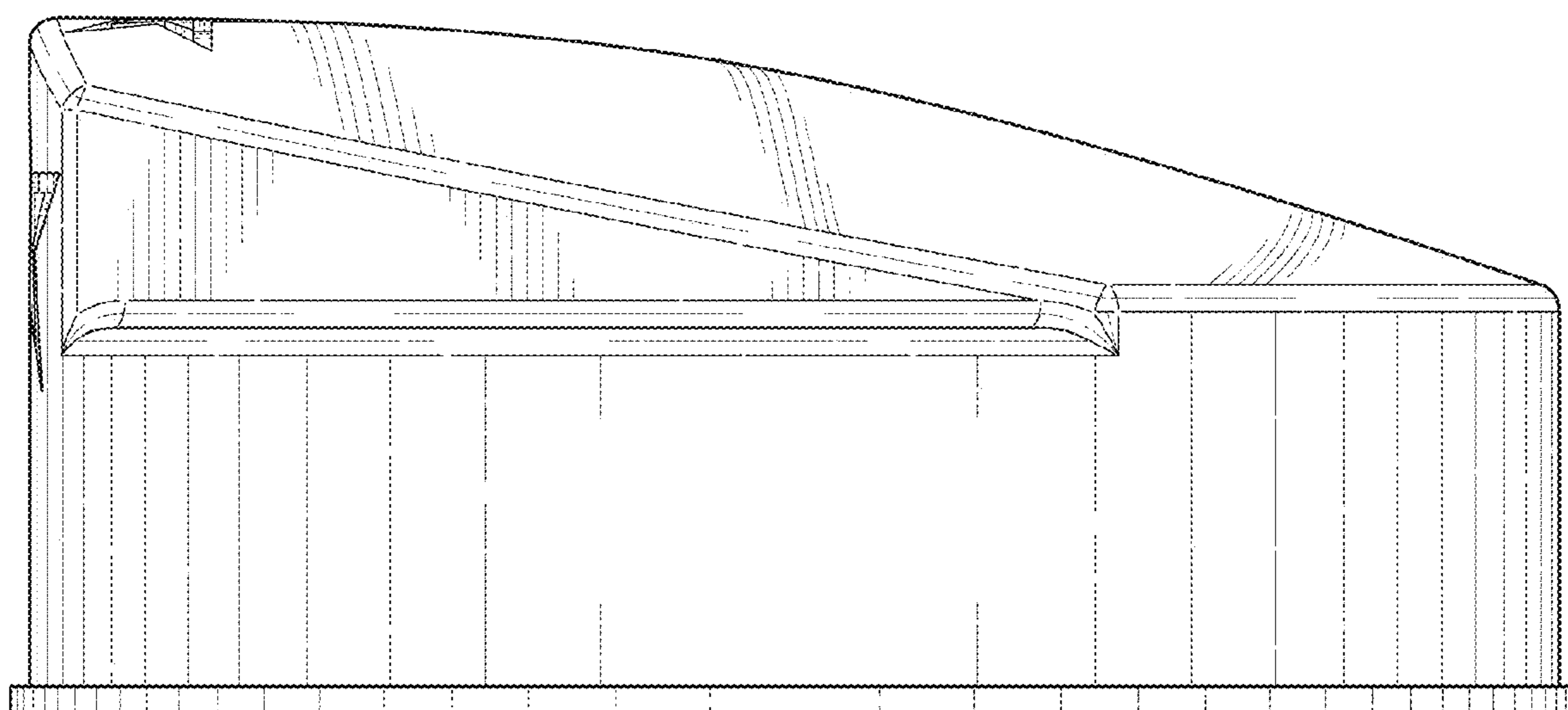


FIG. 3



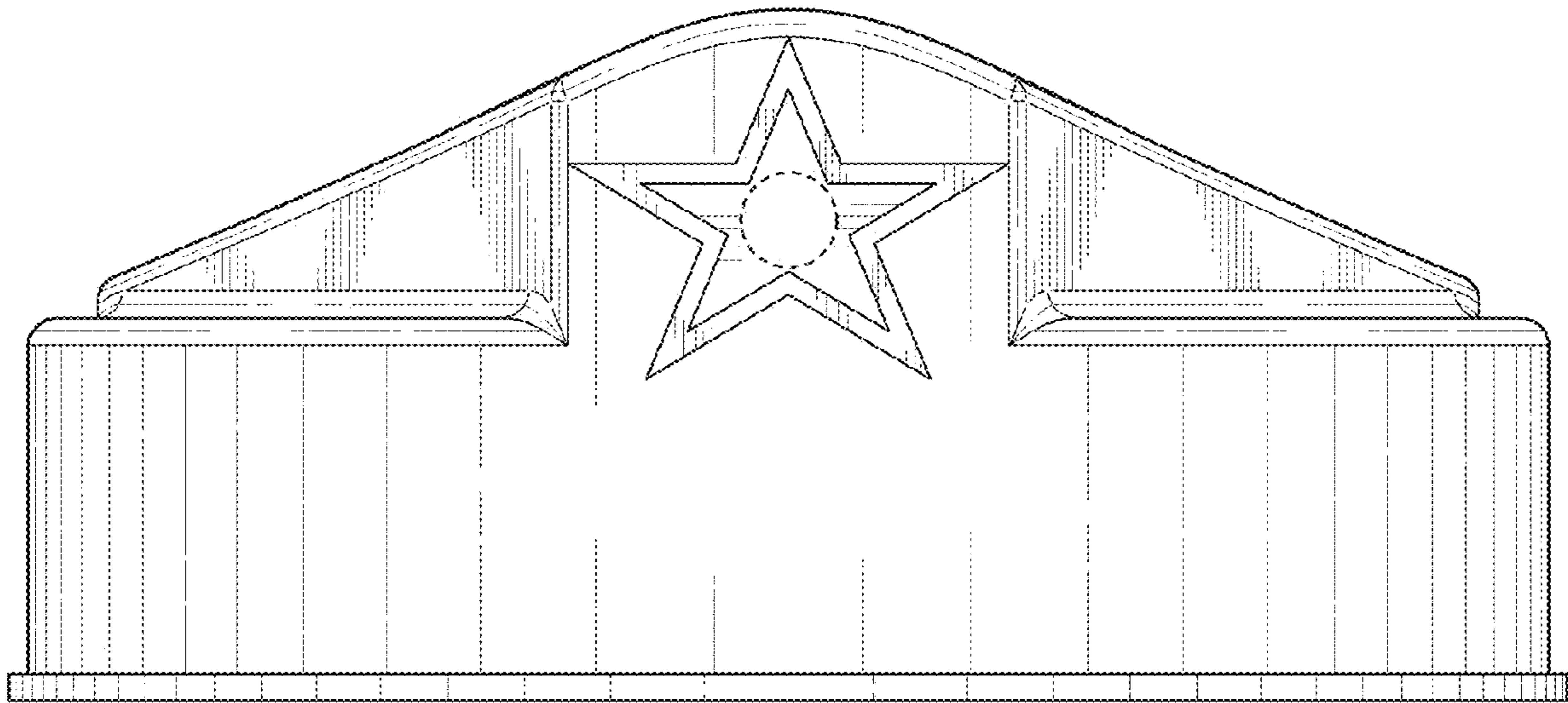


FIG. 4

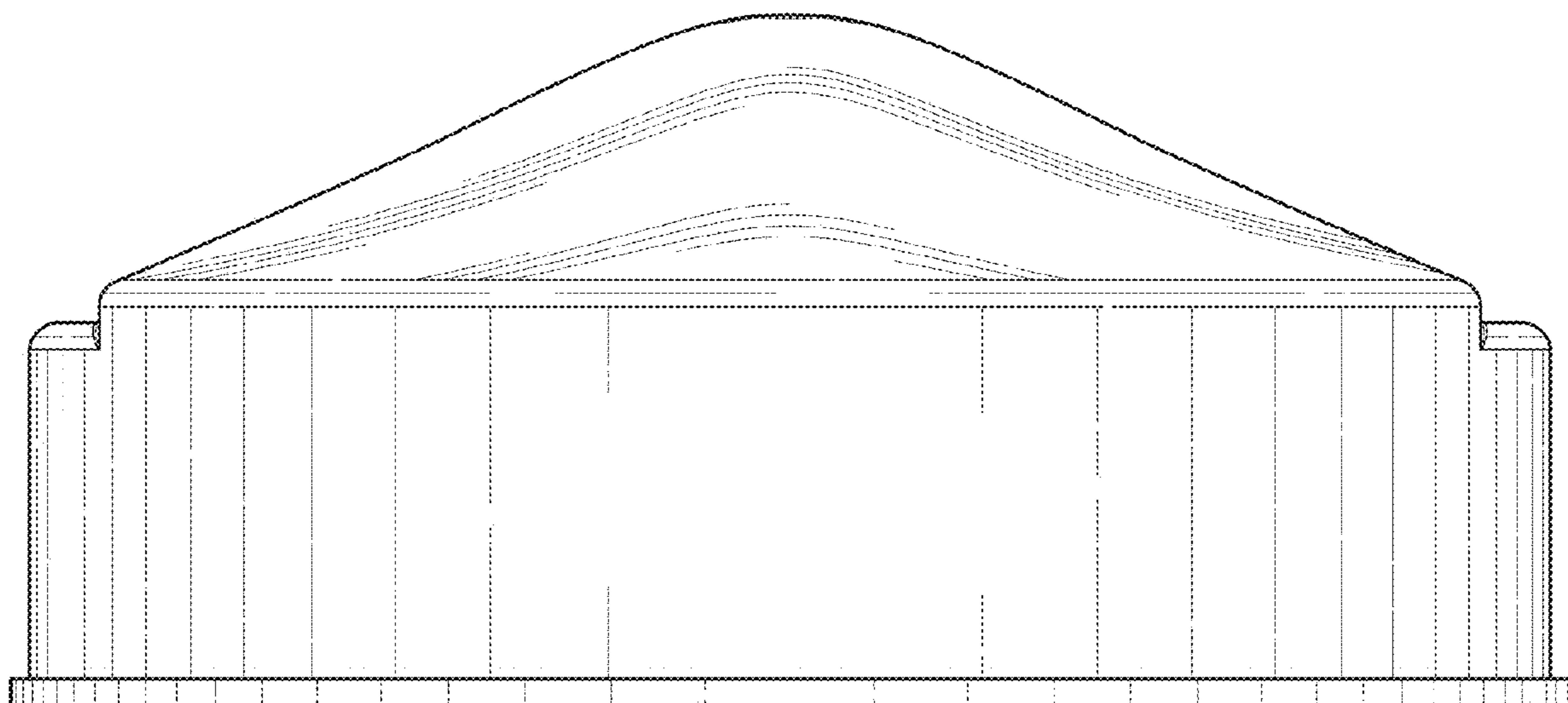


FIG. 5

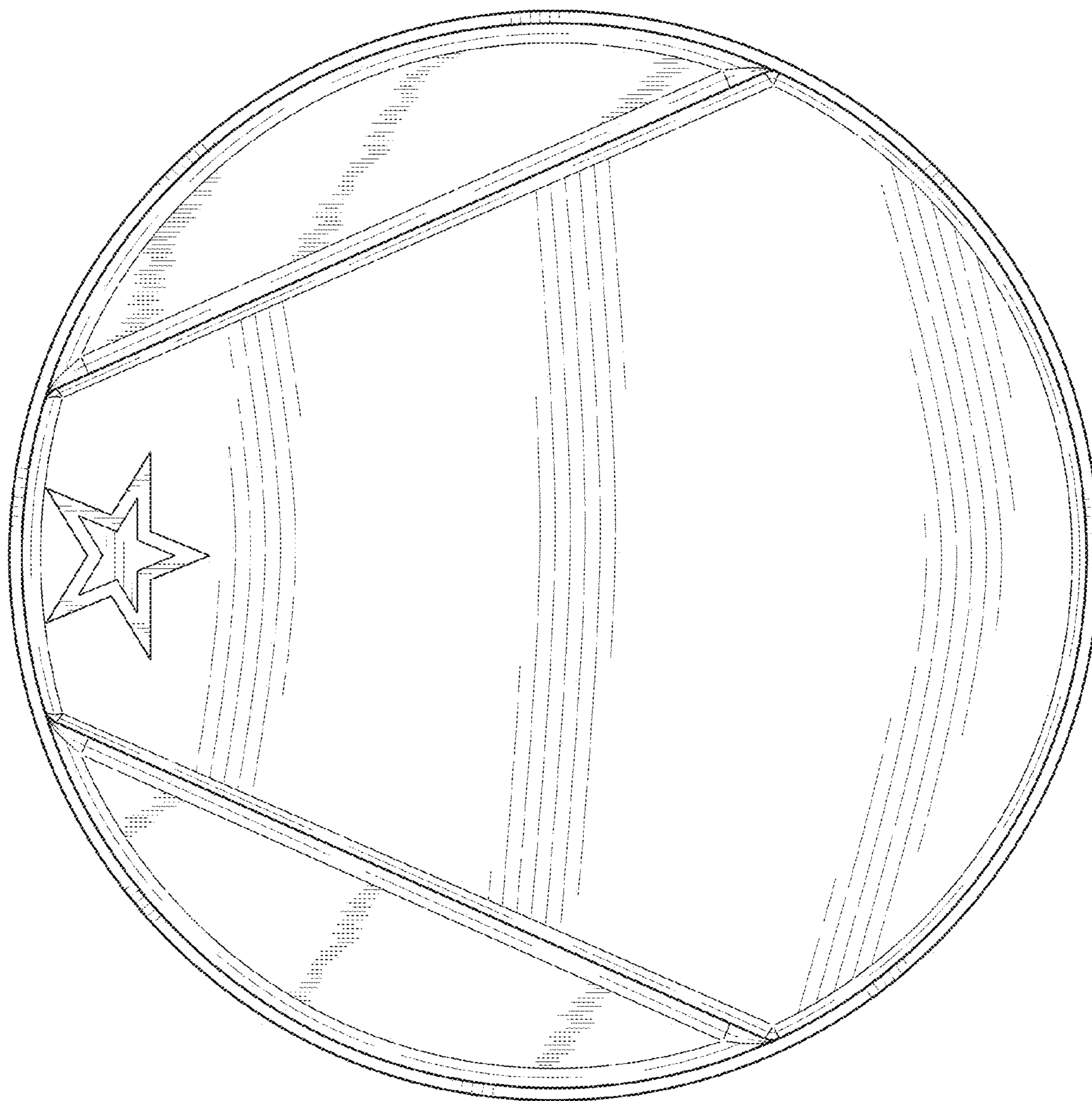


FIG. 6

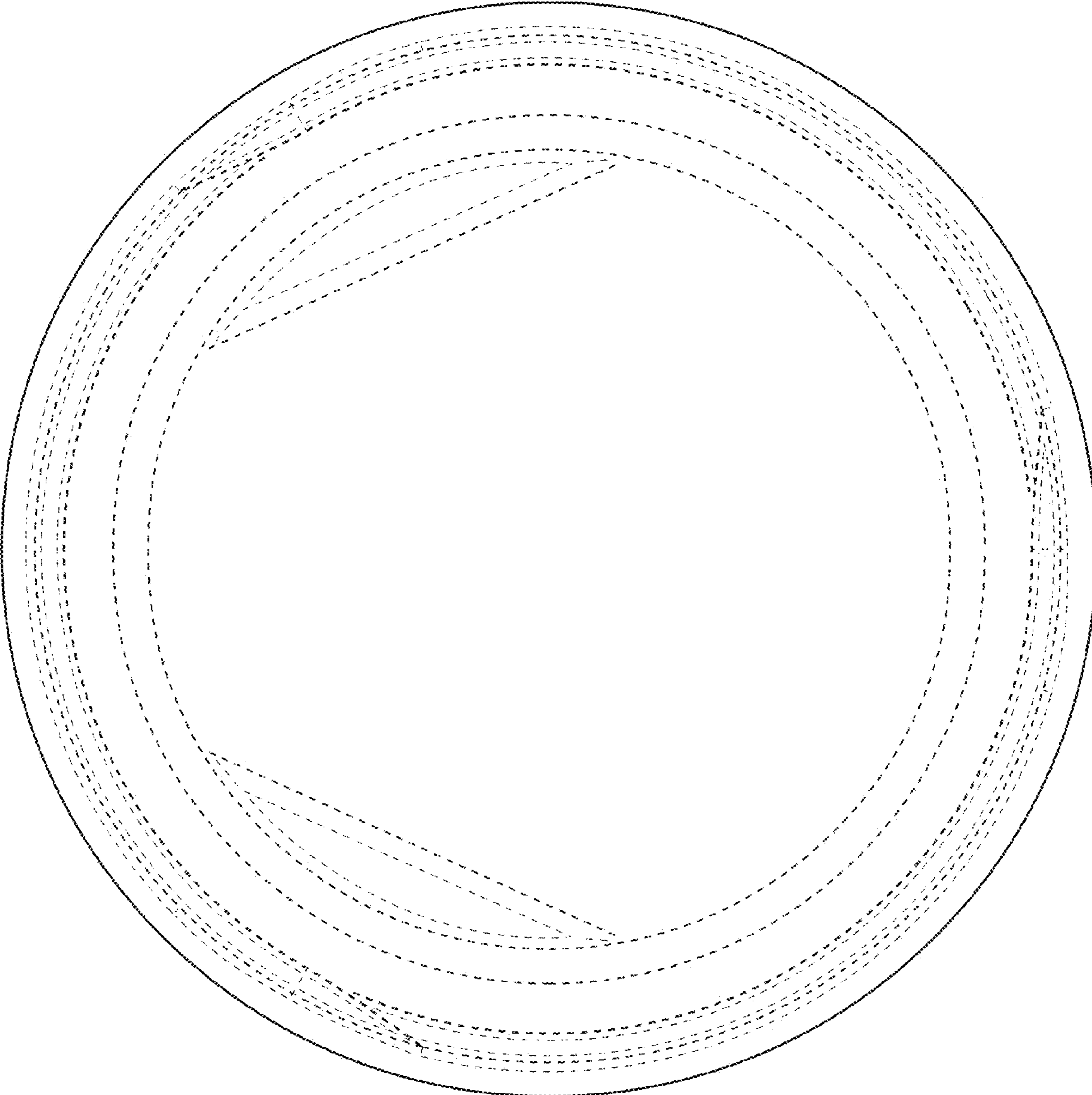


FIG. 7