



US00D920109S

(12) **United States Design Patent**  
**Partsch, IV**

(10) **Patent No.:** **US D920,109 S**

(45) **Date of Patent:** **\*\* May 25, 2021**

- (54) **HYGIENE RINSE CAP**
- (71) Applicant: **George J. Partsch, IV**, Brea, CA (US)
- (72) Inventor: **George J. Partsch, IV**, Brea, CA (US)
- (\*\*) Term: **15 Years**
- (21) Appl. No.: **29/710,334**
- (22) Filed: **Oct. 22, 2019**
- (51) **LOC (13) Cl.** ..... **09-07**
- (52) **U.S. Cl.**  
USPC ..... **D9/447; D9/453**
- (58) **Field of Classification Search**  
USPC ..... D9/434, 435, 439, 440, 442-450,  
D9/452-457, 499, 503-505, 682, 685,  
D9/686; D7/387, 391, 392, 392.1, 396.1,  
D7/396.2, 507, 509-511, 538, 900;  
D3/202, 203.2, 294, 318; D28/91, 91.1;  
D24/108, 111, 112; D23/213, 223  
CPC .. A61J 1/00; A61J 1/1412; B65D 1/00; B65D  
1/02; B65D 1/10; B65D 1/46; B65D  
5/46; B65D 41/00; B65D 41/38; B65D  
41/56; B65D 41/62; B65D 47/00; B65D  
47/06; B65D 47/08; B65D 2251/00;  
B65D 2543/00046; B65D 2543/00092;  
B65D 2543/00296  
See application file for complete search history.

- D231,639 S \* 5/1974 Gambello ..... D24/111
- D238,340 S \* 1/1976 Parker ..... D23/213
- D263,933 S \* 4/1982 Jones ..... D9/452
- D271,858 S \* 12/1983 Martin ..... D9/447
- 5,188,251 A \* 2/1993 Kusz ..... A61J 7/04  
116/308
- D361,469 S \* 8/1995 Young ..... D7/392.1
- D419,029 S \* 1/2000 Randolph ..... D7/392
- D440,495 S \* 4/2001 Hathaway ..... D9/452
- D530,009 S \* 10/2006 Lyman ..... D24/108
- D634,196 S \* 3/2011 Giraud ..... D9/453
- D778,160 S \* 2/2017 Orset ..... D9/452
- D817,090 S \* 5/2018 Bogazzi ..... D9/443
- D848,844 S \* 5/2019 Byron ..... D9/454
- D858,872 S \* 9/2019 White ..... D27/186
- 2007/0045320 A1 \* 3/2007 Biesecker ..... B65D 50/041  
220/345.1

(Continued)

*Primary Examiner* — Wendy L Arminio  
(74) *Attorney, Agent, or Firm* — WPAT Law, P.C.;  
Anthony King

(57) **CLAIM**

The ornamental design for a hygiene rinse cap, as shown and described.

**DESCRIPTION**

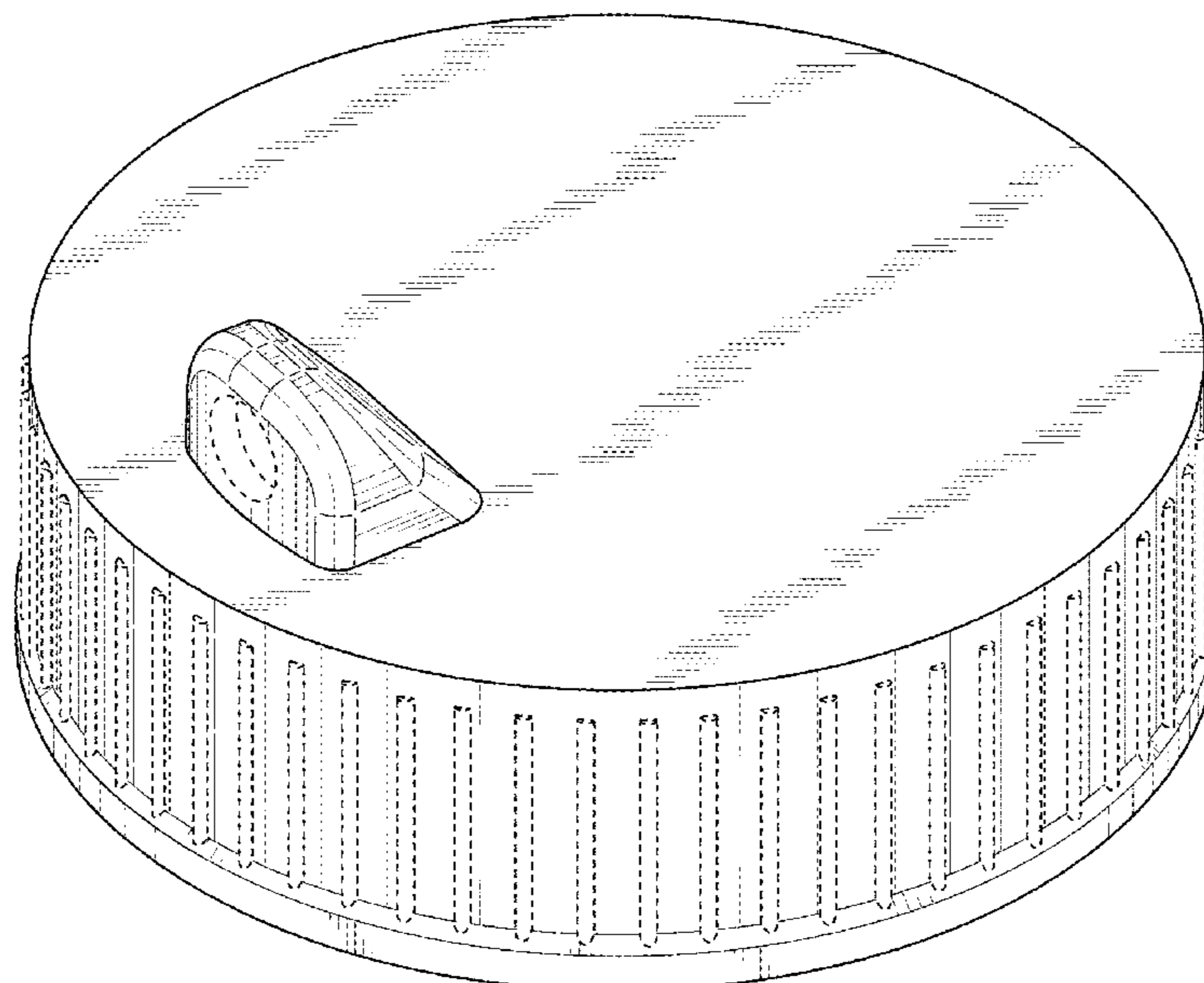
FIG. 1 is a perspective view of the hygiene rinse cap;  
FIG. 2 is a right side view of the hygiene rinse cap of FIG. 1;  
FIG. 3 is a left side view of the hygiene rinse cap of FIG. 1;  
FIG. 4 is a front view of the hygiene rinse cap of FIG. 1;  
FIG. 5 is a back view of the hygiene rinse cap of FIG. 1;  
FIG. 6 is a top view of the hygiene rinse cap of FIG. 1; and,  
FIG. 7 is a bottom view of the hygiene rinse cap of FIG. 1.  
The broken lines depict portions of the hygiene rinse cap that form no part of the claimed design.

**1 Claim, 5 Drawing Sheets**

(56) **References Cited**

U.S. PATENT DOCUMENTS

- D93,864 S \* 11/1934 Bitner ..... D7/392
- D105,256 S \* 7/1937 Amrine ..... D9/443
- D108,945 S \* 3/1938 Hart ..... D7/392
- D139,762 S \* 12/1944 Mudge ..... D9/447
- D160,491 S \* 10/1950 Goldman ..... D9/447
- 3,300,075 A \* 1/1967 Dahl ..... B65D 51/242  
D9/436
- D226,945 S \* 5/1973 Burkhardt ..... D9/447



(56)

**References Cited**

U.S. PATENT DOCUMENTS

2010/0102094 A1\* 4/2010 Rice ..... B65D 41/04  
141/18  
2019/0144169 A1\* 5/2019 Byron ..... B65D 41/0457  
215/316

\* cited by examiner

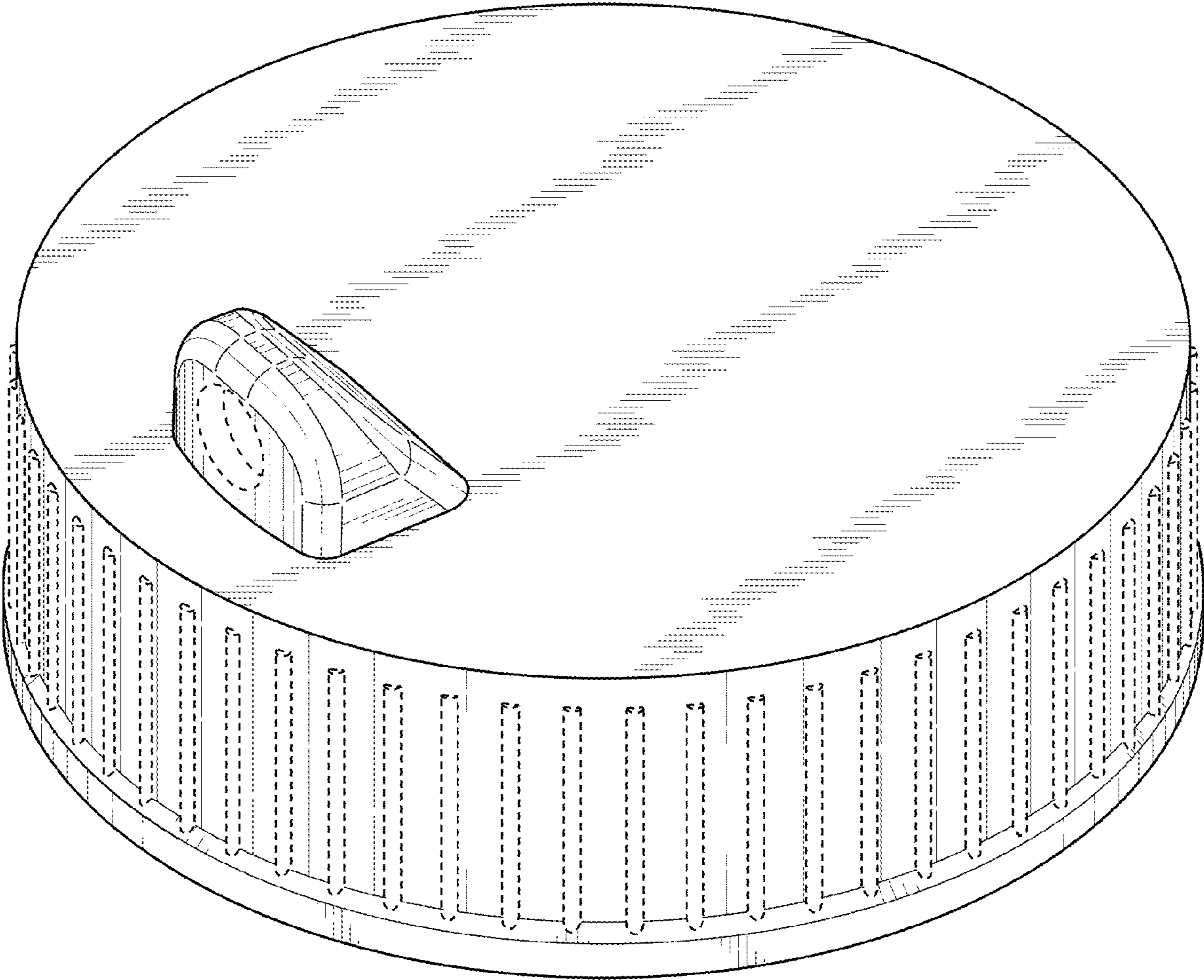


FIG. 1

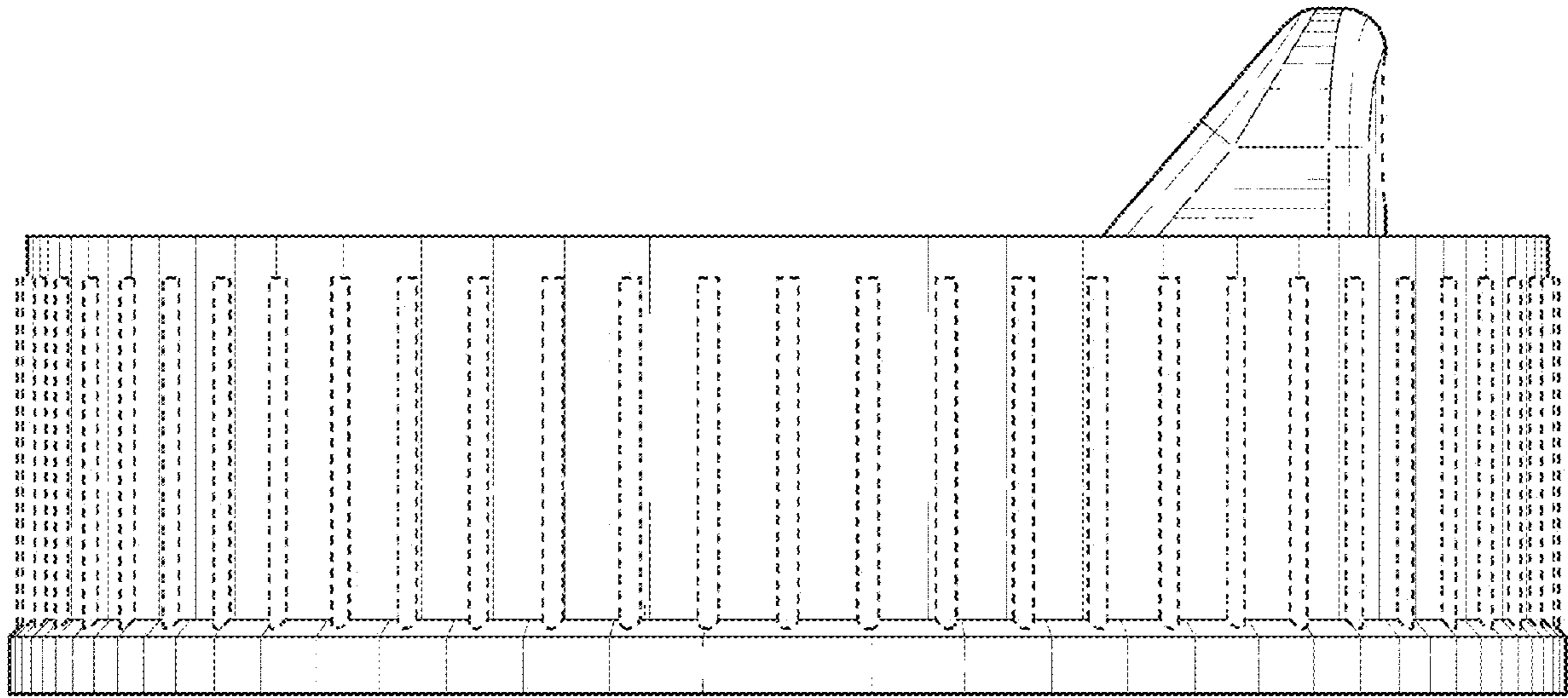


FIG. 2

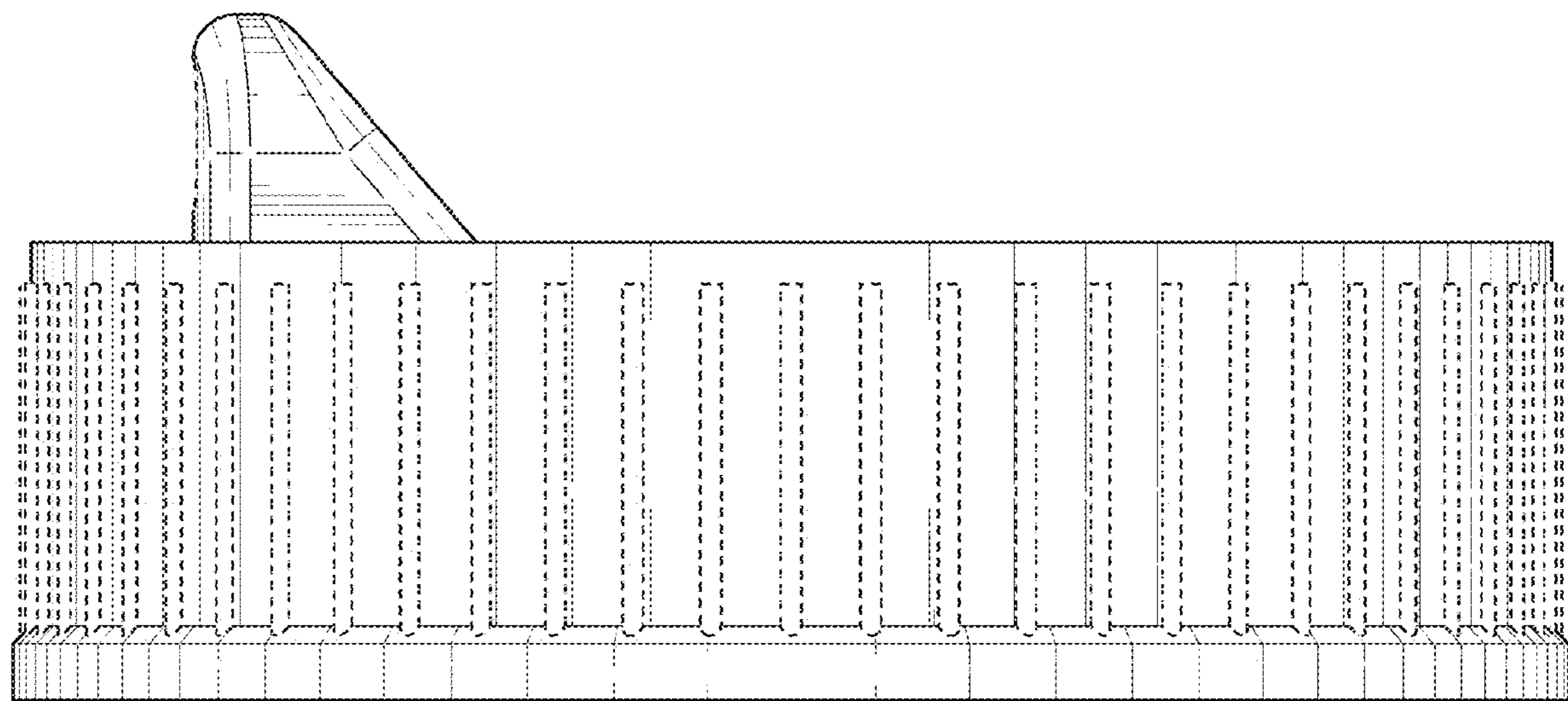


FIG. 3

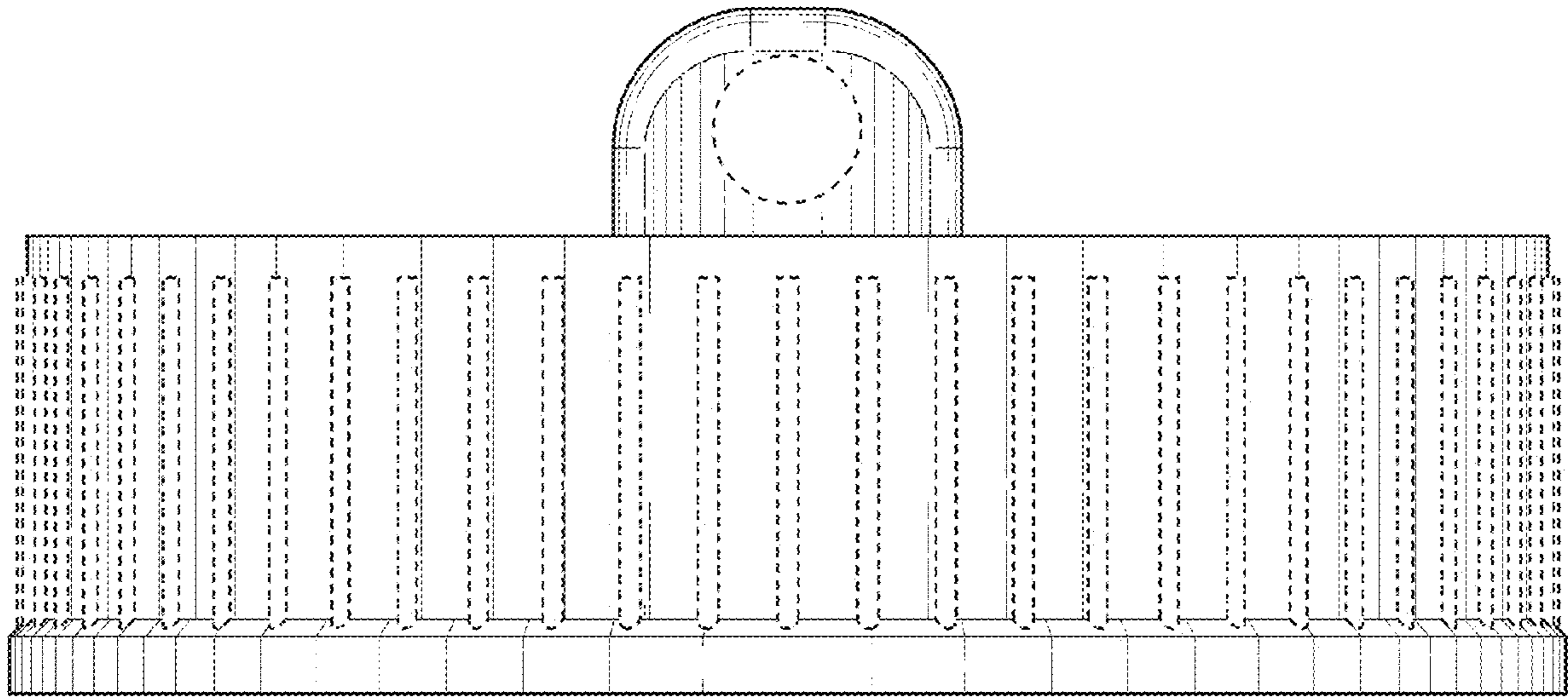


FIG. 4

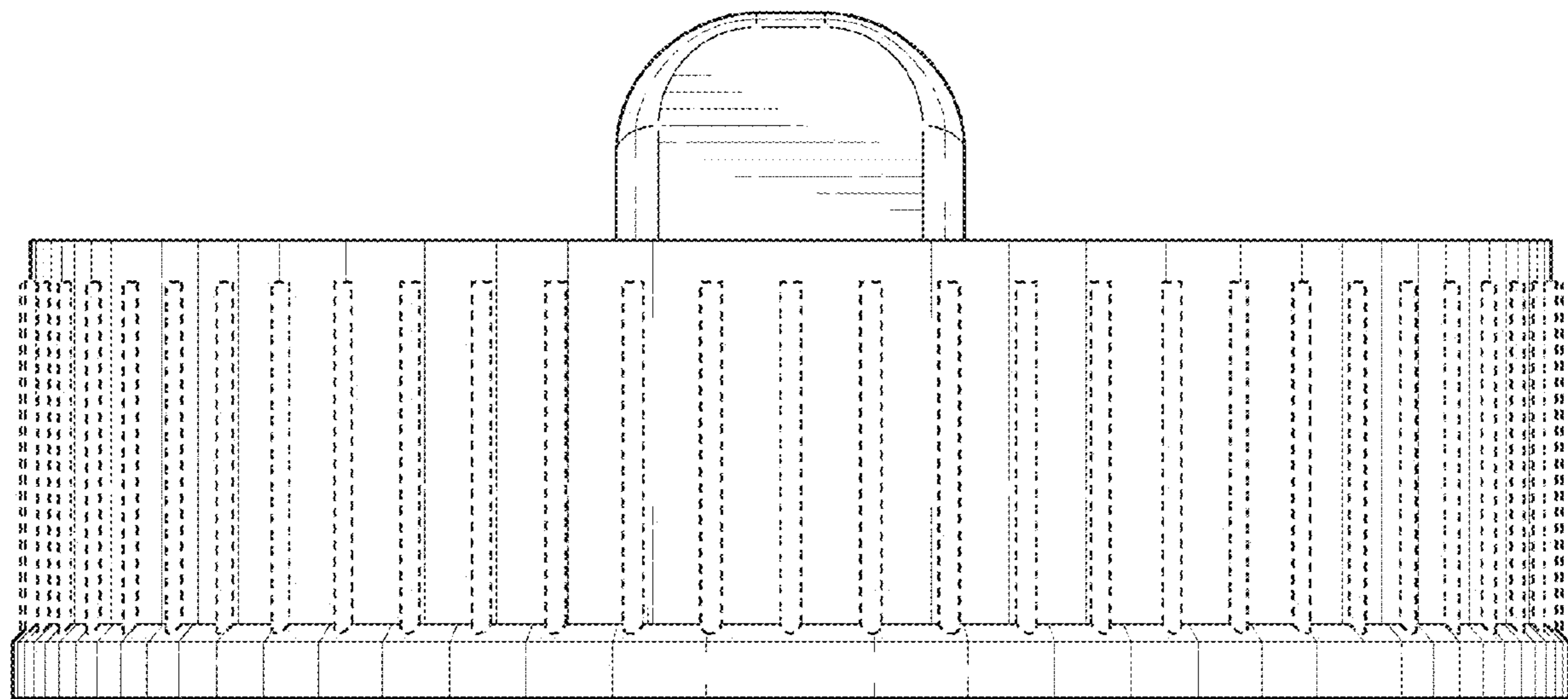


FIG. 5

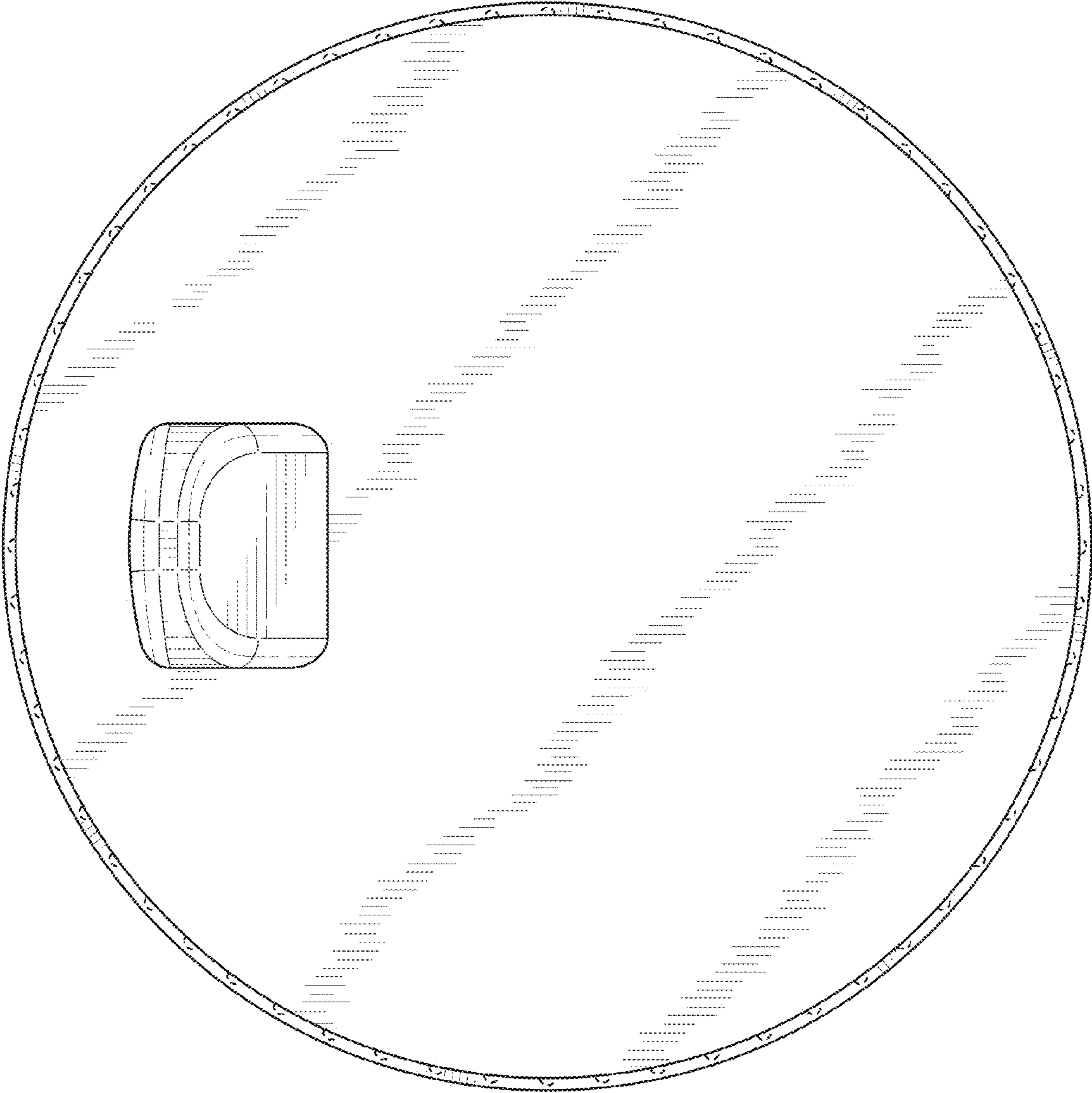


FIG. 6

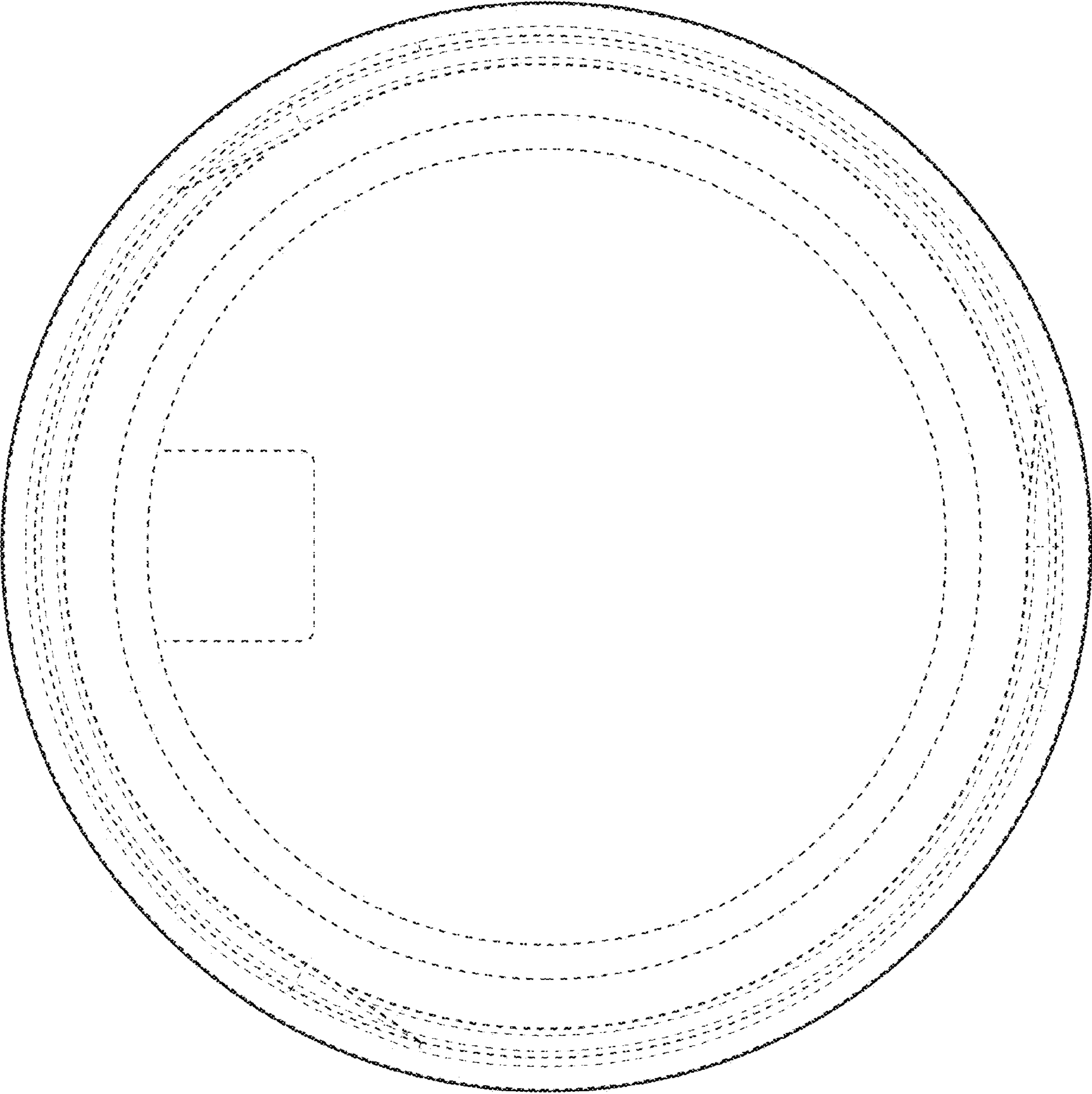


FIG. 7