



US00D920108S

(12) **United States Design Patent** (10) **Patent No.:** **US D920,108 S**  
**Partsch, IV** (45) **Date of Patent:** **\*\* May 25, 2021**

(54) **HYGIENE RINSE CAP**  
(71) Applicant: **George J. Partsch, IV**, Brea, CA (US)  
(72) Inventor: **George J. Partsch, IV**, Brea, CA (US)  
(\*\*) Term: **15 Years**  
(21) Appl. No.: **29/710,332**  
(22) Filed: **Oct. 22, 2019**  
(51) **LOC (13) Cl.** ..... **09-07**  
(52) **U.S. Cl.**  
USPC ..... **D9/447; D9/453**  
(58) **Field of Classification Search**  
USPC ..... D9/434, 435, 439, 440, 442-450,  
D9/452-457, 499, 503-505, 682, 685,  
D9/686; D7/387, 391, 392, 392.1, 396.1,  
D7/396.2, 507, 509-511, 538, 900;  
D3/202, 203.2, 294, 318; D28/91, 91.1;  
D24/108, 111, 112; D23/213, 223  
CPC .. A61J 1/00; A61J 1/1412; B65D 1/00; B65D  
1/02; B65D 1/10; B65D 1/46; B65D  
5/46; B65D 41/00; B65D 41/38; B65D  
41/56; B65D 41/62; B65D 47/00; B65D  
47/06; B65D 47/08; B65D 2251/00;  
B65D 2543/00046; B65D 2543/00092;  
B65D 2543/00296  
See application file for complete search history.

5,188,251 A \* 2/1993 Kusz ..... A61J 7/04  
116/308  
D513,585 S \* 1/2006 Biesecker ..... D9/449  
D518,718 S \* 4/2006 von Spreckelsen ..... D9/453  
D560,495 S \* 1/2008 Mettler ..... D9/504  
D606,864 S \* 12/2009 Robinson ..... D9/453  
7,832,580 B2 \* 11/2010 Jackman ..... B65D 51/20  
215/347  
D646,974 S \* 10/2011 Latour ..... D9/452  
D734,669 S \* 7/2015 Crosta ..... D9/449  
D754,544 S \* 4/2016 Darling ..... D9/503  
D778,160 S \* 2/2017 Orset ..... D9/452  
D828,174 S \* 9/2018 Oates ..... D9/454  
D848,844 S \* 5/2019 Byron ..... D9/454  
D858,872 S \* 9/2019 White ..... D27/186  
D871,905 S \* 1/2020 Kim ..... B65D 41/3428  
D9/453  
2006/0000793 A1 \* 1/2006 Mavin ..... B65D 51/20  
215/253

(Continued)

*Primary Examiner* — Wendy L Arminio  
(74) *Attorney, Agent, or Firm* — WPAT Law, P.C.;  
Anthony King

(57) **CLAIM**

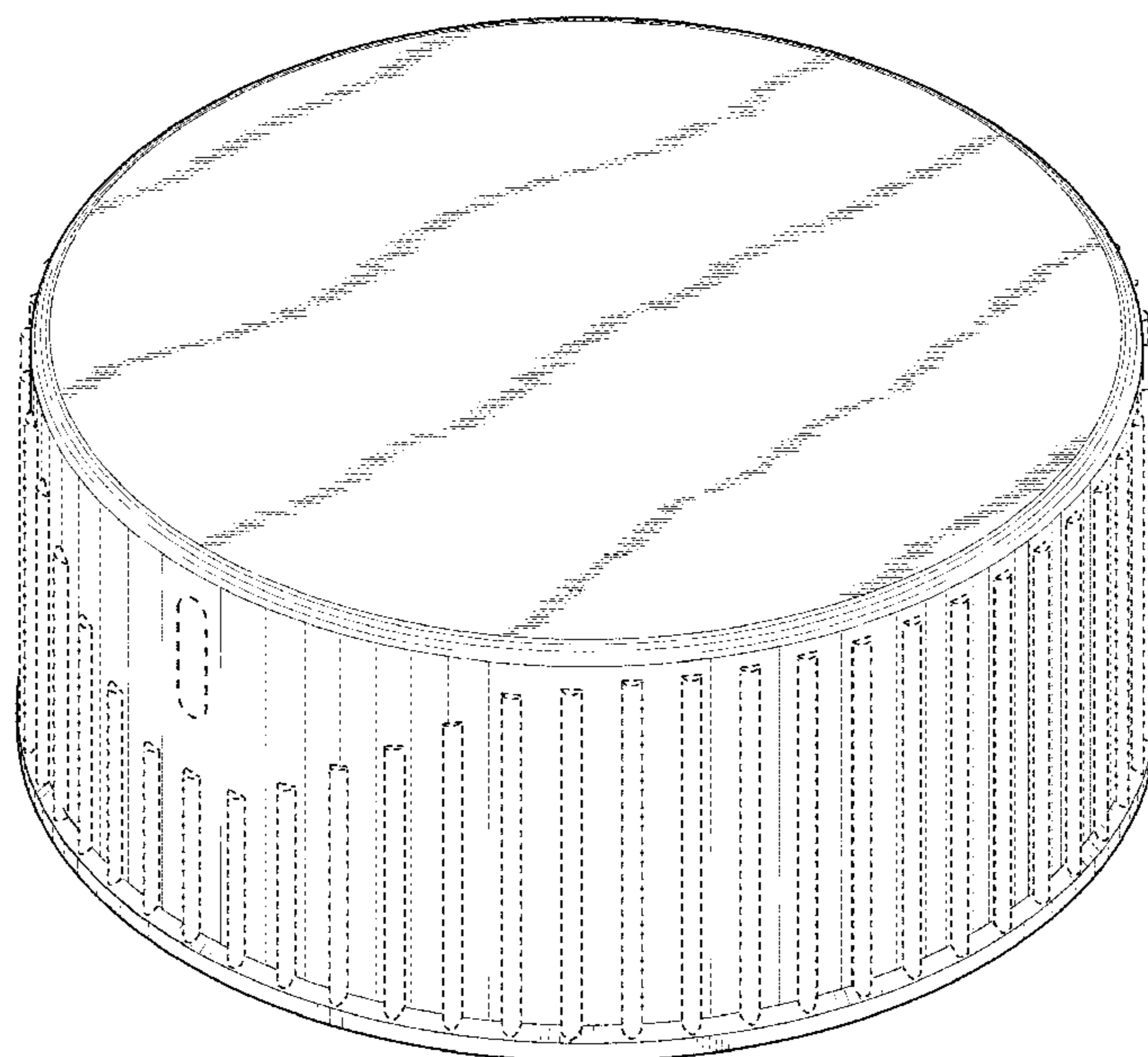
The ornamental design for a hygiene rinse cap, as shown and described.

**DESCRIPTION**

FIG. 1 is a perspective view of the hygiene rinse cap;  
FIG. 2 is a right side view of the hygiene rinse cap of FIG. 1;  
FIG. 3 is a left side view of the hygiene rinse cap of FIG. 1;  
FIG. 4 is a front view of the hygiene rinse cap of FIG. 1;  
FIG. 5 is a back view of the hygiene rinse cap of FIG. 1;  
FIG. 6 is a top view of the hygiene rinse cap of FIG. 1; and,  
FIG. 7 is a bottom view of the hygiene rinse cap of FIG. 1.  
The broken lines depict portions of the hygiene rinse cap that form no part of the claimed design.

**1 Claim, 5 Drawing Sheets**

(56) **References Cited**  
U.S. PATENT DOCUMENTS  
2,082,614 A \* 6/1937 Brodrick ..... B65D 3/04  
D9/435  
3,407,955 A \* 10/1968 Masi ..... B65D 49/04  
D9/440  
3,435,976 A \* 4/1969 Owens ..... B65D 41/0442  
D9/454  
D231,639 S \* 5/1974 Gambello ..... D24/111



(56)

**References Cited**

U.S. PATENT DOCUMENTS

2007/0045320	A1 *	3/2007	Biesecker .....	B65D 50/041 220/345.1
2010/0102094	A1 *	4/2010	Rice .....	B65D 41/04 141/18
2010/0200532	A1 *	8/2010	Ekkert .....	B65D 51/00 215/201
2011/0017741	A1 *	1/2011	Sprishen .....	B65D 41/045 220/288
2015/0238387	A1 *	8/2015	Gaetano .....	A61J 1/2096 604/408
2019/0031410	A1 *	1/2019	Vazquez .....	B65D 51/145
2019/0144169	A1 *	5/2019	Byron .....	B65D 41/0457 215/316

\* cited by examiner

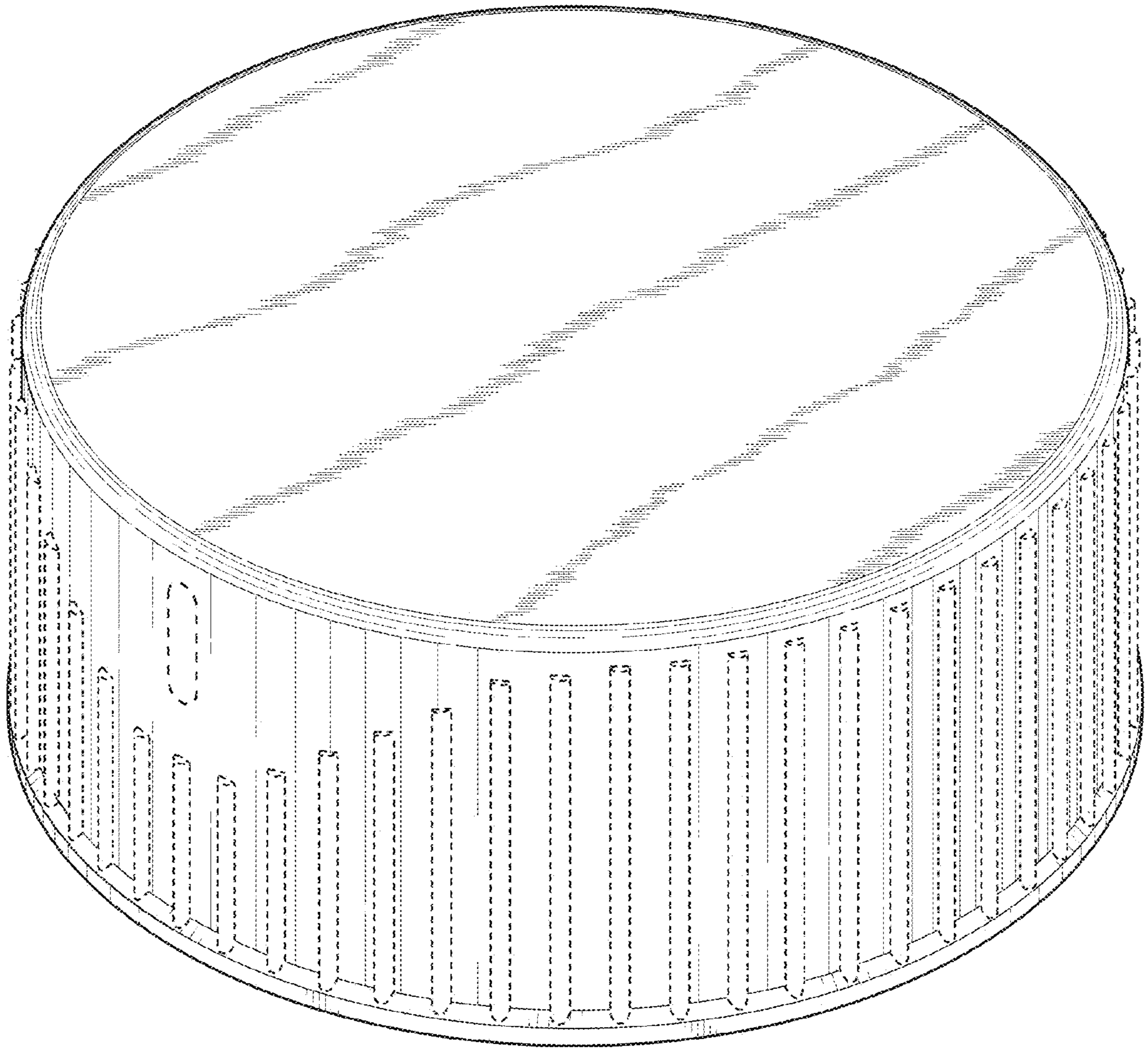


FIG. 1

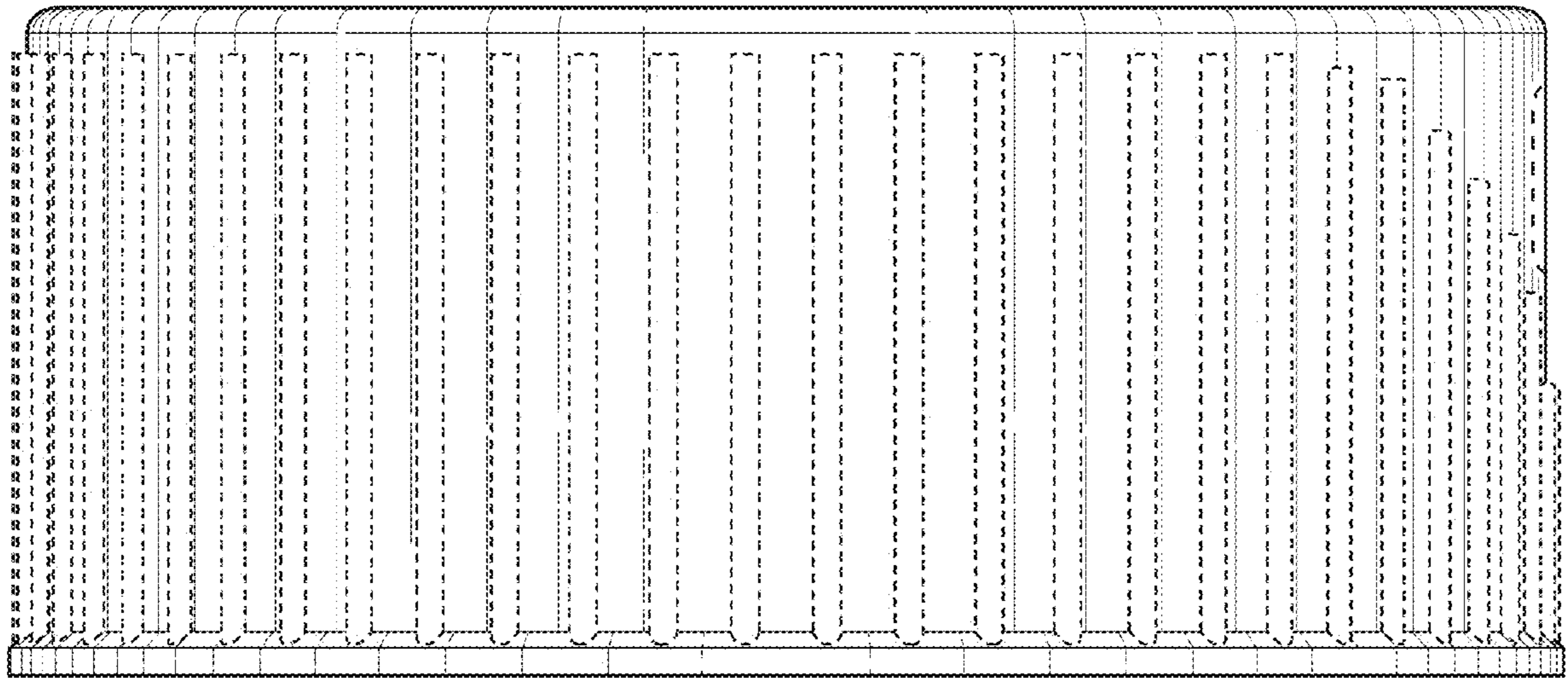


FIG. 2

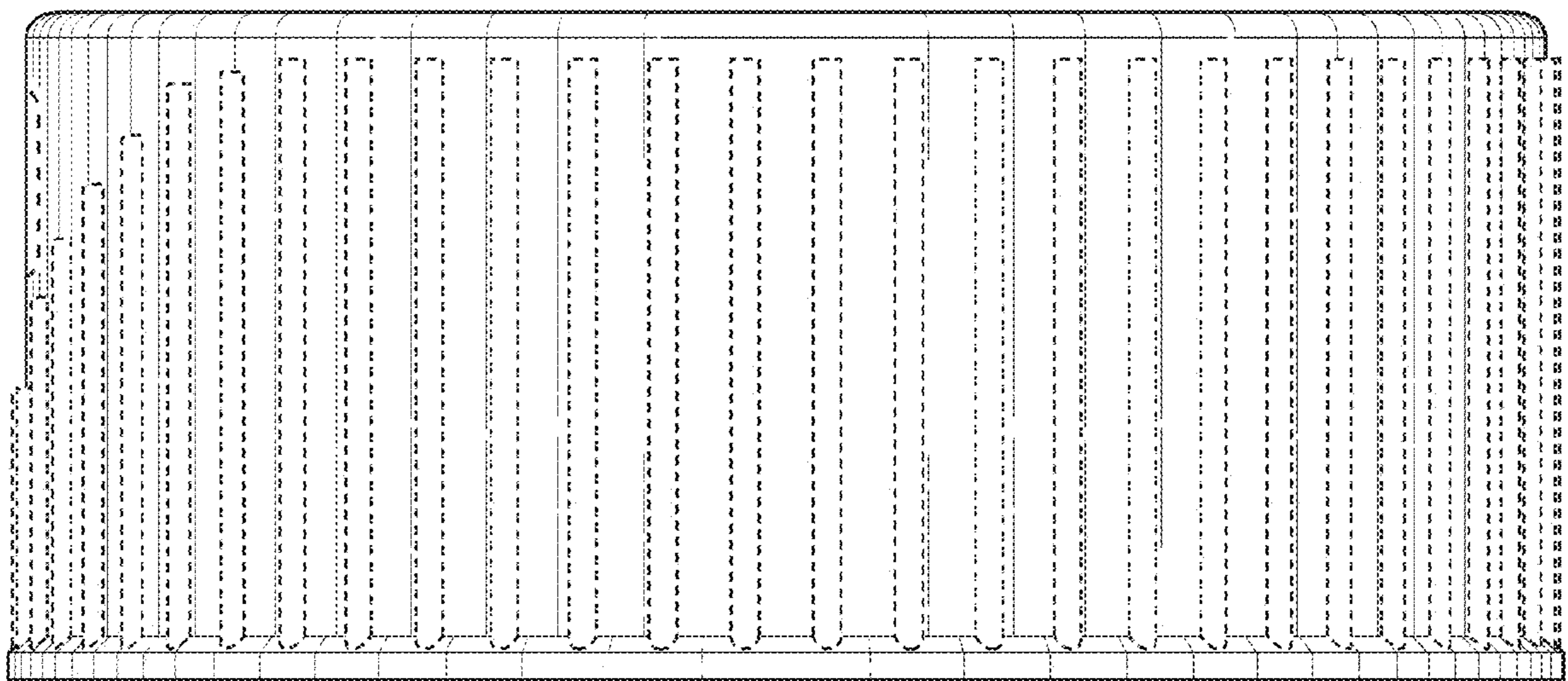


FIG. 3

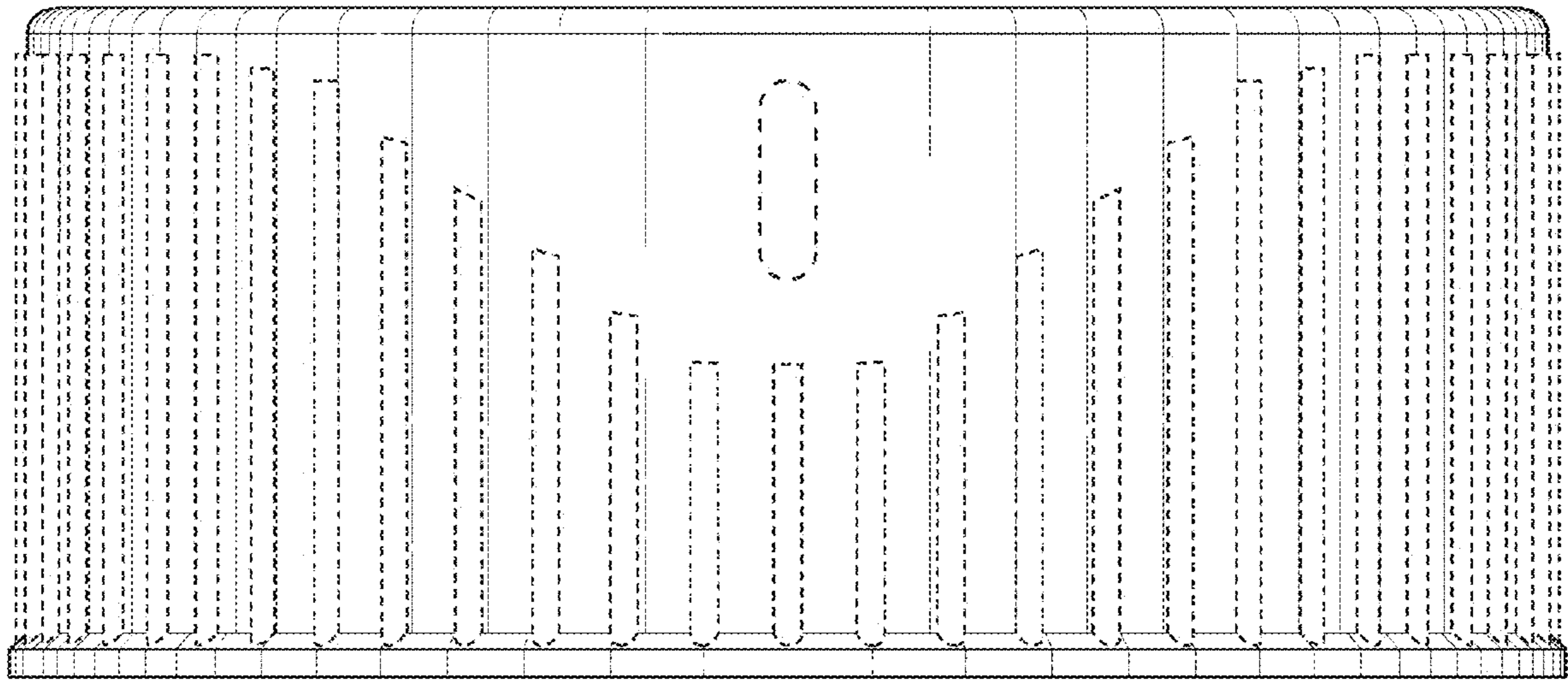


FIG. 4

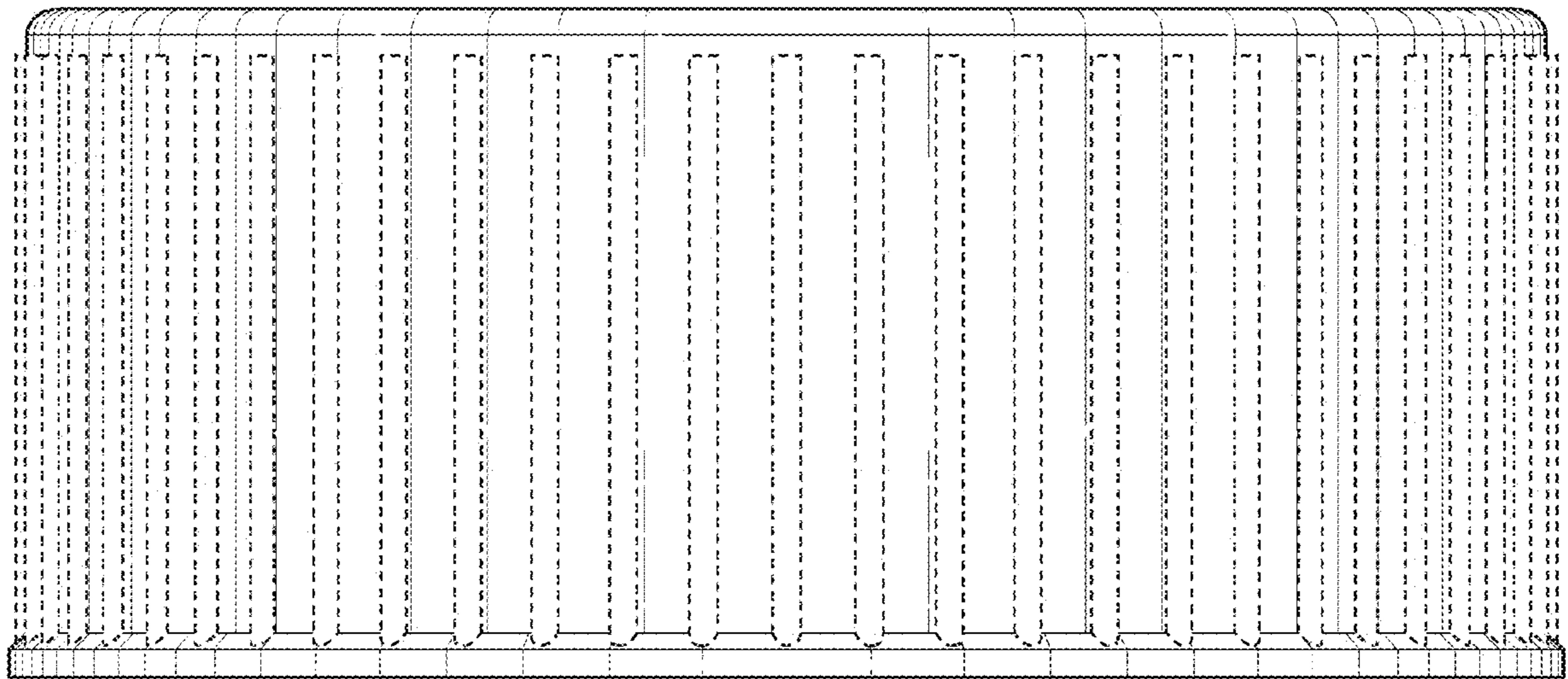


FIG. 5

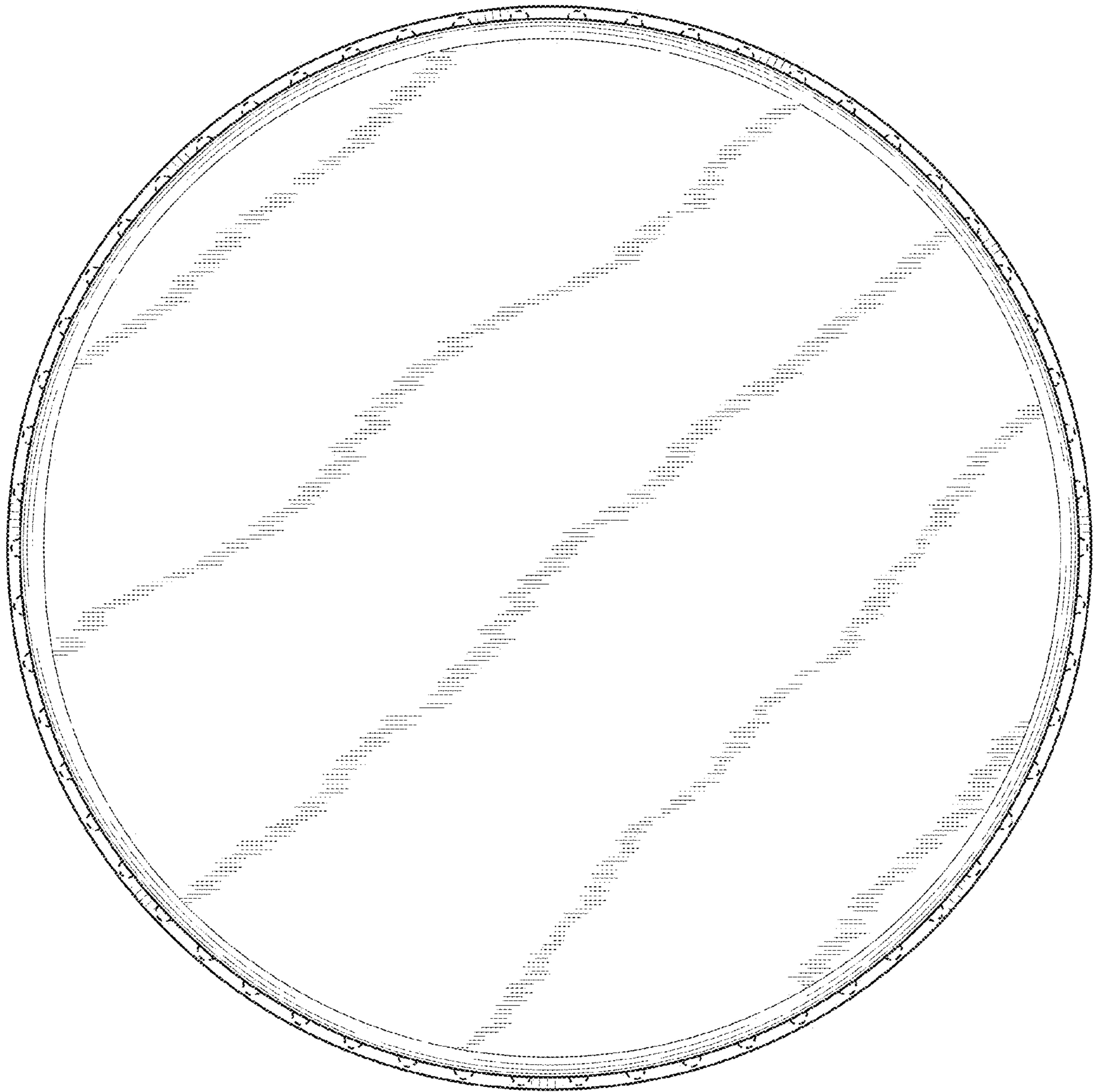


FIG. 6

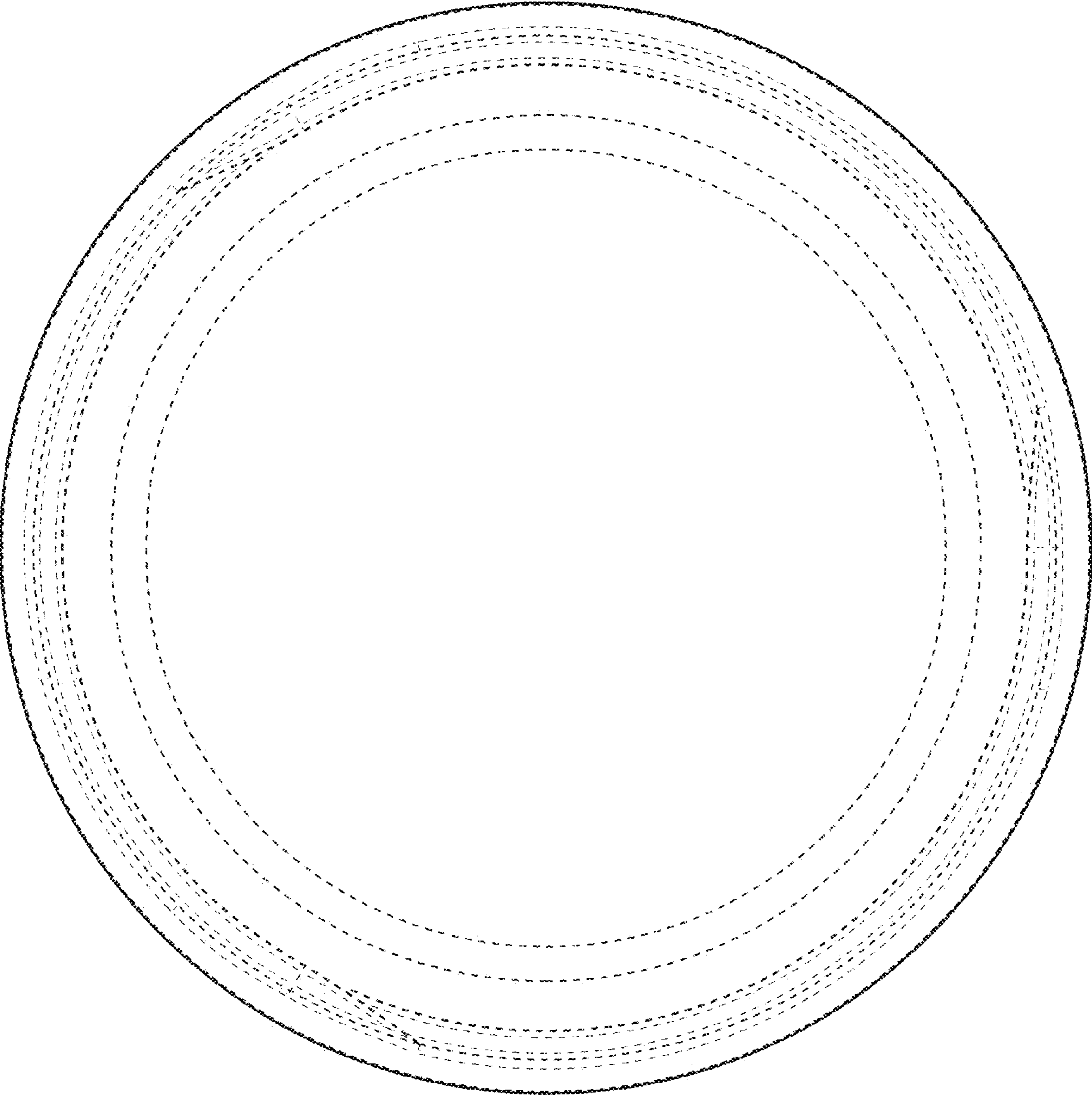


FIG. 7