



US00D920106S

(12) **United States Design Patent**
Partsch, IV

(10) **Patent No.:** **US D920,106 S**

(45) **Date of Patent:** **** May 25, 2021**

- (54) **HYGIENE RINSE CAP**
- (71) Applicant: **George J. Partsch, IV**, Brea, CA (US)
- (72) Inventor: **George J. Partsch, IV**, Brea, CA (US)
- (**) Term: **15 Years**
- (21) Appl. No.: **29/710,330**
- (22) Filed: **Oct. 22, 2019**
- (51) **LOC (13) Cl.** **09-07**
- (52) **U.S. Cl.**
USPC **D9/447; D9/453**
- (58) **Field of Classification Search**
USPC D9/434, 435, 439, 440, 442-450,
D9/452-457, 499, 503-505, 682, 685,
D9/686; D7/387, 391, 392, 392.1, 396.1,
D7/396.2, 507, 509-511, 538, 900;
D3/202, 203.2, 294, 318; D28/91, 91.1;
D24/108, 111, 112; D23/213, 223
CPC .. A61J 1/00; A61J 1/1412; B65D 1/00; B65D
1/02; B65D 1/10; B65D 1/46; B65D
5/46; B65D 41/00; B65D 41/38; B65D
41/56; B65D 41/62; B65D 47/00; B65D
47/06; B65D 47/08; B65D 2251/00;
B65D 2543/00046; B65D 2543/00092;
B65D 2543/00296

See application file for complete search history.

(56) **References Cited**

U.S. PATENT DOCUMENTS

- D31,399 S * 8/1899 Case D9/434
- D93,864 S * 11/1934 Bitner D7/392
- 2,082,614 A * 6/1937 Brodrick B65D 3/04
D9/435
- D108,945 S * 3/1938 Hart D7/392
- D139,762 S * 12/1944 Mudge D9/447
- 3,407,955 A * 10/1968 Masi B65D 49/04
D9/440

- 3,435,976 A * 4/1969 Owens B65D 41/0442
D9/454
- D231,639 S * 5/1974 Gambello D24/111
- D263,933 S * 4/1982 Jones D9/452
- D271,858 S * 12/1983 Martin D9/447
- 5,188,251 A * 2/1993 Kusz A61J 7/04
116/308
- D518,718 S * 4/2006 von Spreckelsen D9/453
- D560,495 S * 1/2008 Mettler D9/504
- D692,270 S * 10/2013 Lapsker D9/447
- D754,544 S * 4/2016 Darling D9/503
- D778,160 S * 2/2017 Orset D9/452
- D848,844 S * 5/2019 Byron D9/454
- D858,872 S * 9/2019 White D27/186
- 2007/0045320 A1 * 3/2007 Biesecker B65D 50/041
220/345.1
- 2010/0102094 A1 * 4/2010 Rice B65D 41/04
141/18

(Continued)

Primary Examiner — Wendy L Arminio

(74) *Attorney, Agent, or Firm* — WPAT Law, P.C.;
Anthony King

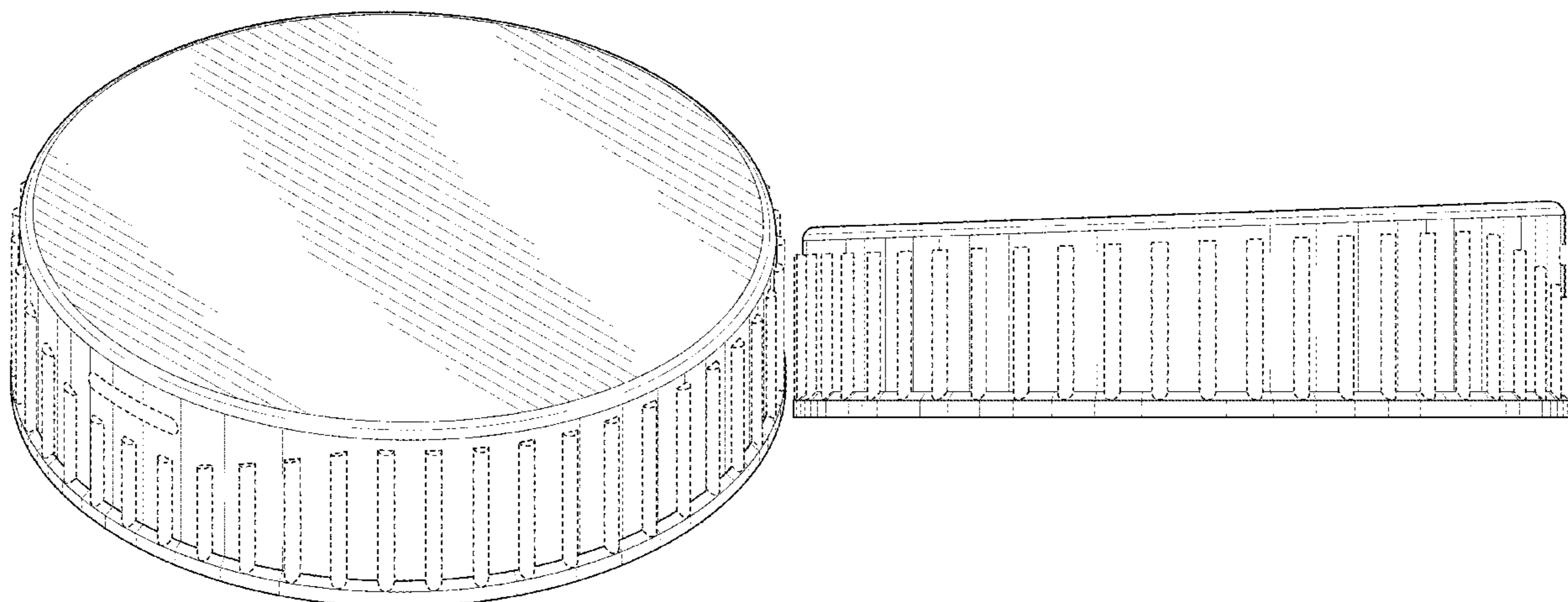
(57) **CLAIM**

The ornamental design for a hygiene rinse cap, as shown and described.

DESCRIPTION

FIG. 1 is a perspective view of the hygiene rinse cap;
FIG. 2 is a right side view of the hygiene rinse cap of FIG. 1;
FIG. 3 is a left side view of the hygiene rinse cap of FIG. 1;
FIG. 4 is a front view of the hygiene rinse cap of FIG. 1;
FIG. 5 is a back view of the hygiene rinse cap of FIG. 1;
FIG. 6 is a top view of the hygiene rinse cap of FIG. 1; and,
FIG. 7 is a bottom view of the hygiene rinse cap of FIG. 1.
The broken lines depict portions of the hygiene rinse cap that form no part of the claimed design.

1 Claim, 5 Drawing Sheets



(56)

References Cited

U.S. PATENT DOCUMENTS

2019/0031410 A1* 1/2019 Vazquez B65D 51/145
2019/0144169 A1* 5/2019 Byron B65D 41/0457
215/316

* cited by examiner

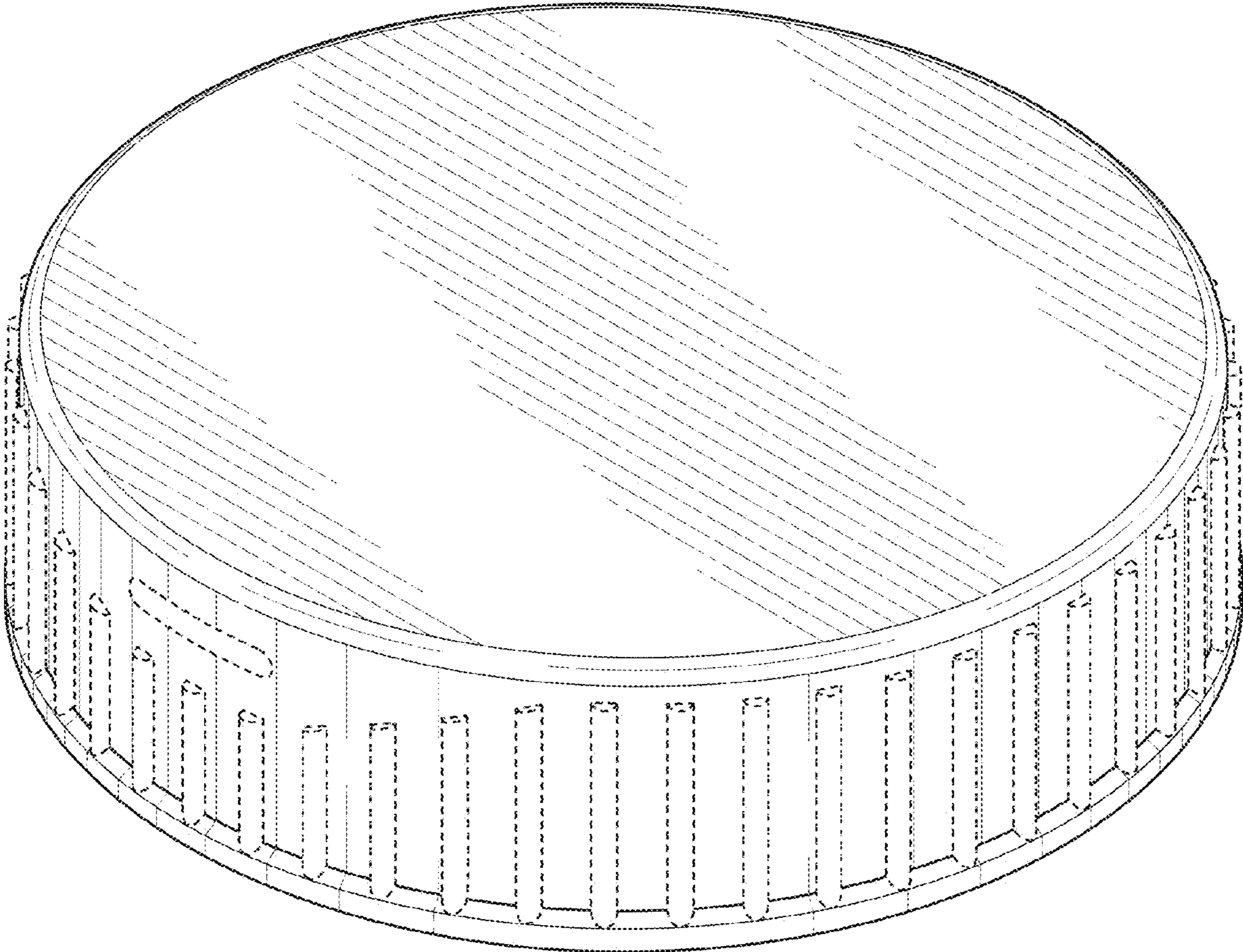


FIG. 1

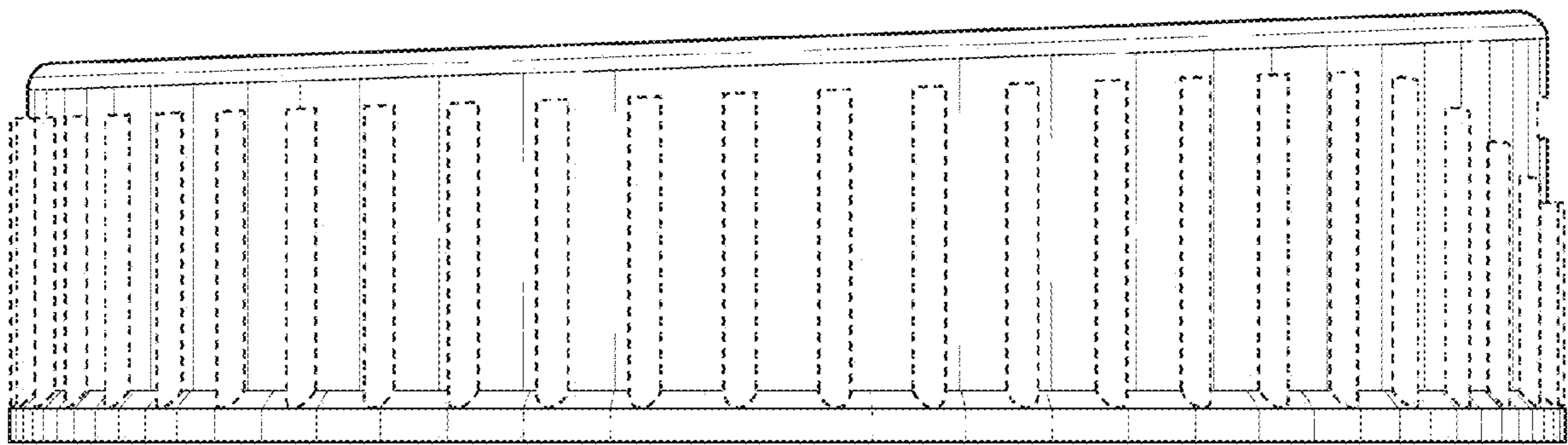


FIG. 2

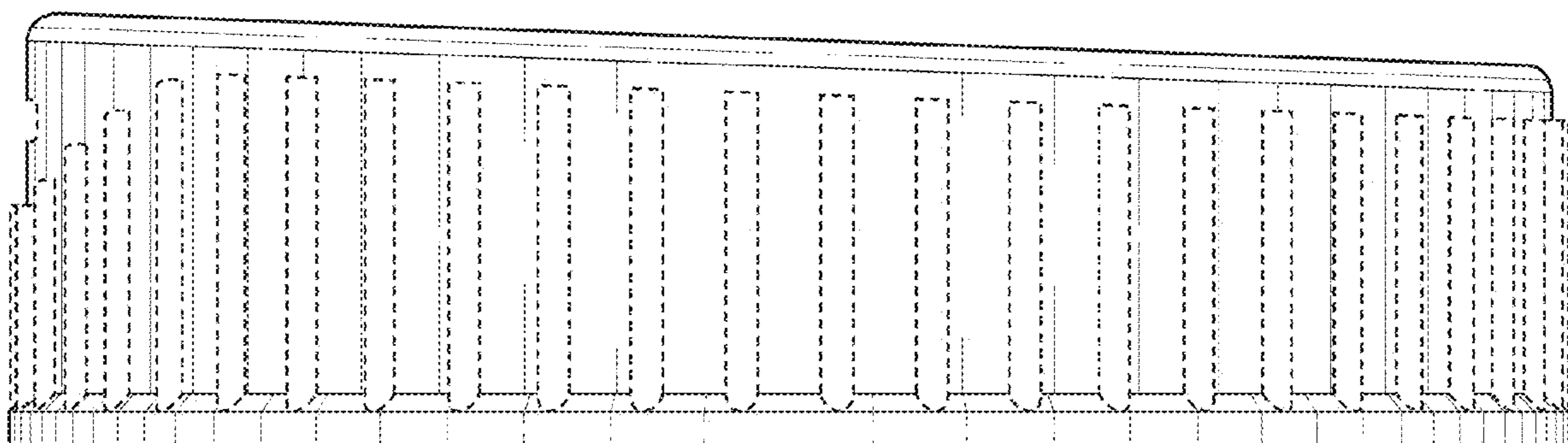


FIG. 3

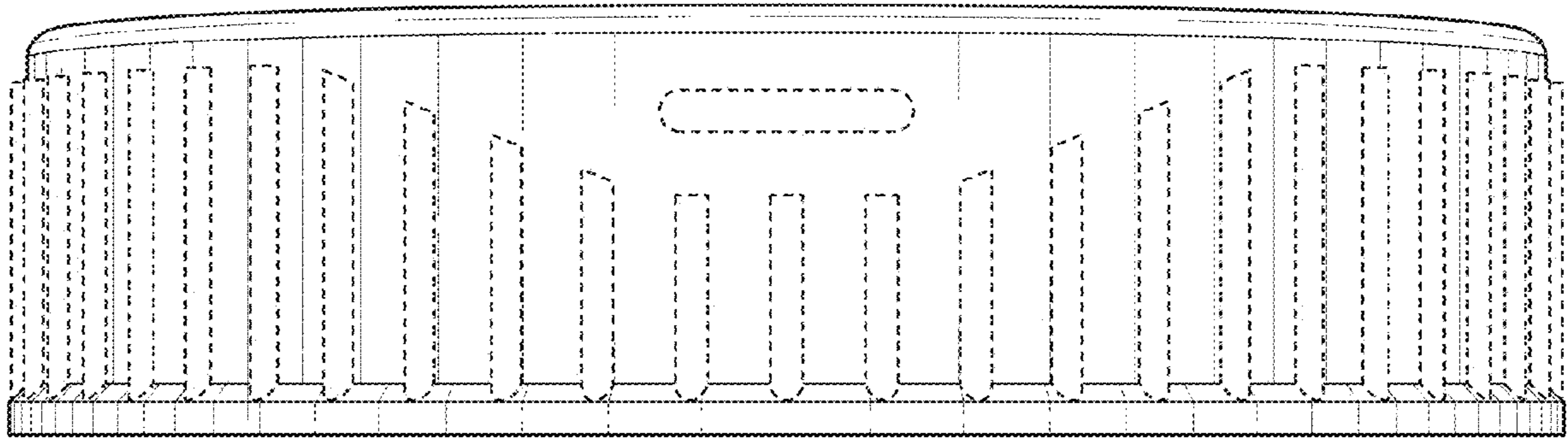


FIG. 4

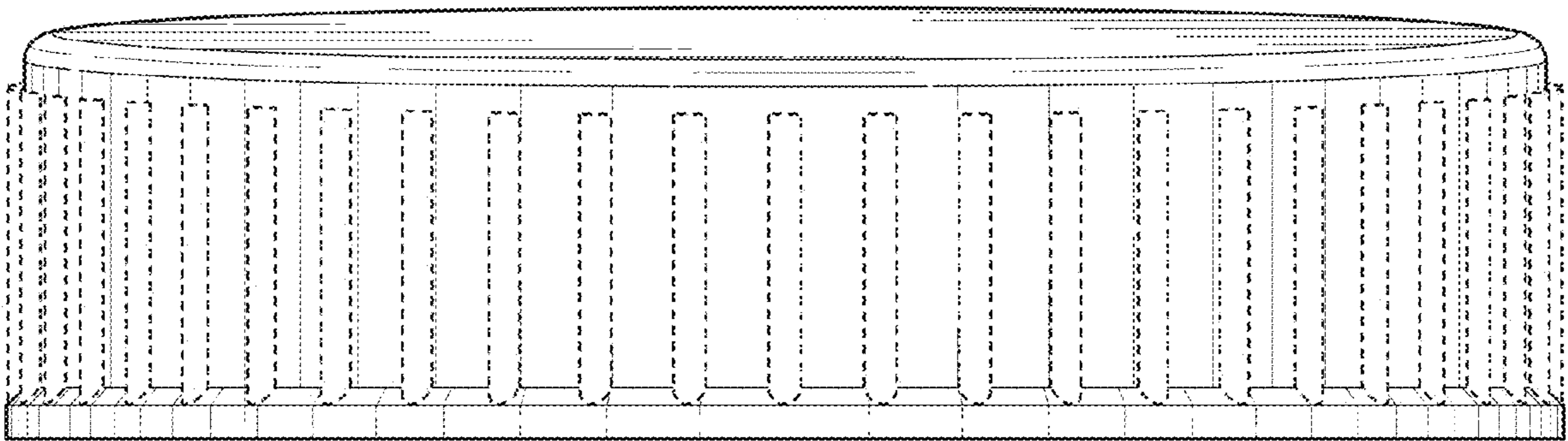


FIG. 5

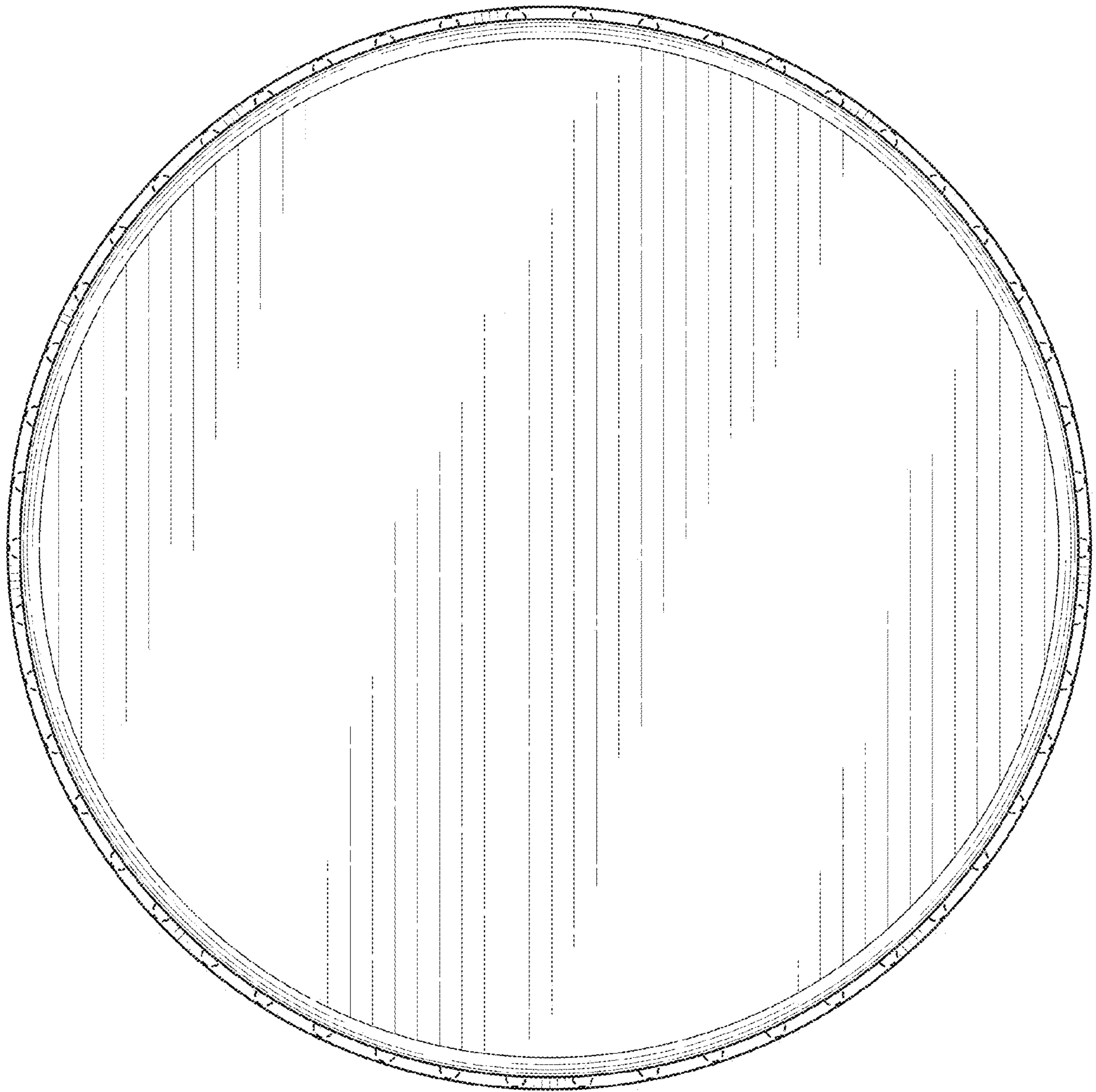


FIG. 6

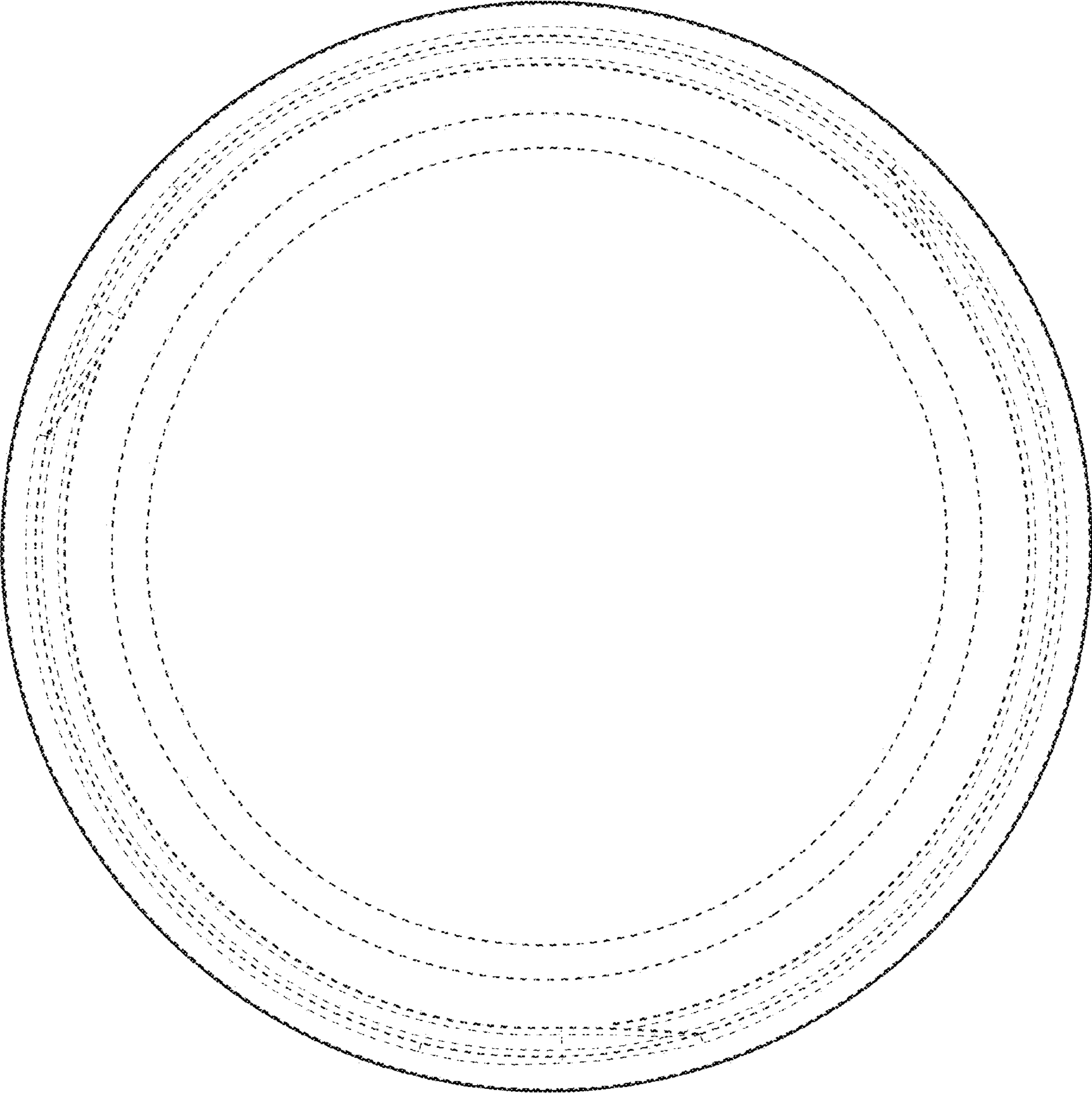


FIG. 7