



US00D920103S

(12) **United States Design Patent** (10) **Patent No.:** **US D920,103 S**
Griffin et al. (45) **Date of Patent:** **** May 25, 2021**

(54) **CONTAINER BASE**
(71) Applicants: **Jeremy Griffin**, Lancaster, CA (US);
Jacob Griffin, Lancaster, CA (US)
(72) Inventors: **Jeremy Griffin**, Lancaster, CA (US);
Jacob Griffin, Lancaster, CA (US)

3,311,248 A 3/1967 Marchant
3,606,074 A 9/1971 Hayes
D227,558 S 7/1973 Mathews
D229,735 S 1/1974 Croyle
D241,621 S * 9/1976 Morris D9/443
D246,698 S * 12/1977 Morris D9/439
D252,984 S * 9/1979 Moeller D9/443
D277,826 S 3/1985 Brown
D299,010 S 12/1988 Wall
D310,028 S 8/1990 Brandt
D315,781 S * 3/1991 Hart D9/434
D325,783 S * 4/1992 Anderson D9/435

(**) Term: **15 Years**
(21) Appl. No.: **29/763,838**

(22) Filed: **Dec. 24, 2020**

Related U.S. Application Data

(63) Continuation-in-part of application No. 29/750,052,
filed on Sep. 10, 2020, now Pat. No. Des. 906,111.

(51) **LOC (13) Cl.** **09-07**

(52) **U.S. Cl.**
USPC **D9/434**; D9/454; D9/455

(58) **Field of Classification Search**
USPC D9/414, 434, 435, 439, 440, 441,
D9/443-445, 447-455, 499, 501,
D9/503-505, 516, 517, 529, 682, 685,
D9/686, 549; D7/387, 391, 392, 392.1,
D7/396.1, 396.2, 396.4, 403, 507,
D7/509-511, 538, 629, 900; D3/202,
D3/203.2, 294, 318; D28/91, 91.1;
D11/164
CPC .. A61J 1/00; A61J 1/1412; B65D 1/00; B65D
1/02; B65D 1/10; B65D 1/46; B65D
5/46; B65D 41/00; B65D 41/38; B65D
41/56; B65D 41/62; B65D 47/00; B65D
47/06; B65D 47/08; B65D 2251/00;
B65D 2543/00046; B65D 2543/00092;
B65D 2543/00296
See application file for complete search history.

(56) **References Cited**

U.S. PATENT DOCUMENTS

2,165,163 A * 7/1939 Waters F16L 37/113
285/91
2,489,766 A 11/1949 Ernestus

OTHER PUBLICATIONS

INNO Pill Grinder: Site Visited [Nov. 20, 2020]. Available from
Internet URL: <https://www.walmart.com/ip/INNO-Pills-Medicine-Crusher-Grinder-Splitter-Tablet-Divider-Cutter-Storage-Box-Case/504917660>.

(Continued)

Primary Examiner — Wendy L Arminio
(74) *Attorney, Agent, or Firm* — Todd R. Miller

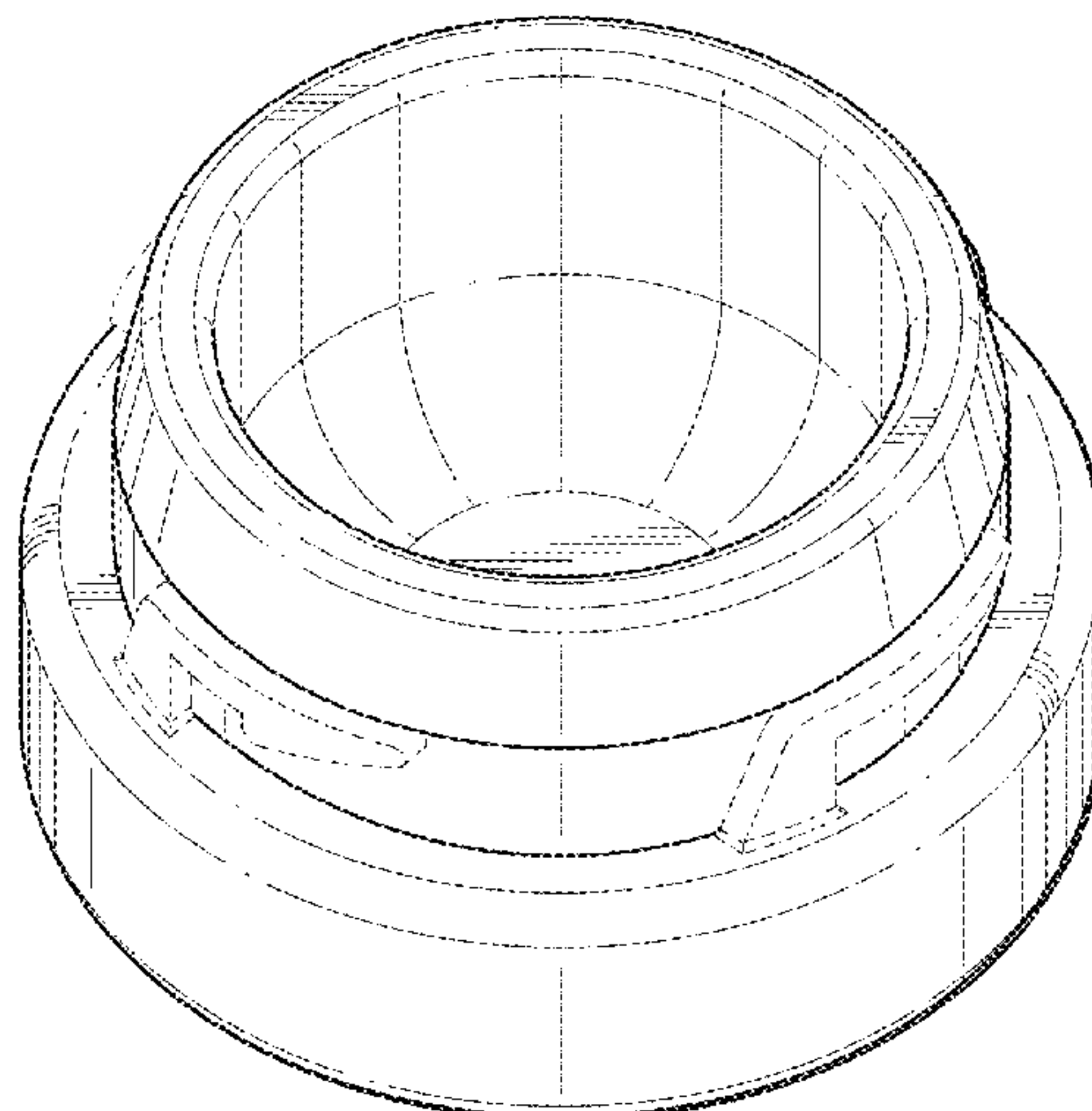
(57) **CLAIM**

The ornamental design for a container base, as shown and
described.

DESCRIPTION

FIG. 1 is a top perspective view of a container base showing
our new design;
FIG. 2 is a top view thereof;
FIG. 3 is a side view thereof;
FIG. 4 is another side view thereof; and,
FIG. 5 is a bottom view thereof.
The broken lines in the figures depict portions of the
container base that form no part of the claimed design.

1 Claim, 3 Drawing Sheets



(56)

References Cited

U.S. PATENT DOCUMENTS

5,419,446 A * 5/1995 Cox B65D 41/44
215/21
D363,665 S 10/1995 Goto
D370,629 S 6/1996 Lynch
D391,119 S 2/1998 Rapaz
5,839,598 A 11/1998 Mitchell
D447,410 S * 9/2001 Malmborg D9/434
D507,937 S 8/2005 Dais
D554,367 S * 11/2007 Chou D3/264
D562,683 S 2/2008 Sweeton
D595,570 S 7/2009 Moretti
D604,613 S 11/2009 Garboni
D606,811 S 12/2009 Furlong
D623,943 S 9/2010 Weld
D632,174 S 2/2011 Charbonnet
D667,698 S * 9/2012 Tupy D7/619.1
D679,990 S 4/2013 O'Brien
8,424,711 B2 4/2013 Charbonnet
D691,848 S 10/2013 Trudeau
8,672,158 B2 3/2014 Taber
D704,053 S * 5/2014 Kim A47G 19/2272
D9/447
D706,133 S * 6/2014 Robinson D9/434
D710,485 S * 8/2014 Nudo D9/437
D716,003 S 10/2014 Brown
D731,312 S 6/2015 Shimizu
D732,822 S 6/2015 Griffin
D739,741 S 9/2015 Staab
D752,982 S * 4/2016 Sawicki D9/434
D772,019 S 11/2016 Williams
D776,536 S * 1/2017 Emoff D9/455
D777,529 S 1/2017 Kellow

D781,151 S 3/2017 Lerman
D784,072 S 4/2017 Baron
D797,559 S 9/2017 Lerman
D804,311 S * 12/2017 Ruprecht D9/434
D825,859 S 8/2018 Teller
D827,364 S * 9/2018 Rummel D9/454
D830,174 S * 10/2018 Takezawa D9/454
D834,883 S 12/2018 Lane
D835,508 S 12/2018 Burrowes
D855,203 S 6/2019 Katsumata
D854,887 S 7/2019 Boroski
D855,707 S 8/2019 Ross
D865,529 S 11/2019 Tidwell
D872,528 S 1/2020 Hsu
D876,186 S 2/2020 Marantis
D881,708 S * 4/2020 Accurso D9/454
D885,908 S * 6/2020 Dycus D9/455
D886,635 S 6/2020 Kilduff
10,737,841 B1 8/2020 Duoung
D901,305 S 11/2020 Buck
2002/0079417 A1 6/2002 Rousselet
2009/0060799 A1 * 3/2009 Torres A61L 9/12
422/123
2010/0000961 A1 1/2010 Harrower
2010/0038337 A1 2/2010 Garboni
2016/0030285 A1 2/2016 Miceli
2017/0202335 A1 7/2017 Johnson

OTHER PUBLICATIONS

Twist Pill Crusher: Announced [Sep. 12, 2017 (online)]. Site Visited [Nov. 20, 2020]. Available from Internet URL: [https://www.vitalitymedical.com/twist-pi ll-crusher.html](https://www.vitalitymedical.com/twist-pi-ll-crusher.html).

* cited by examiner

FIG. 1

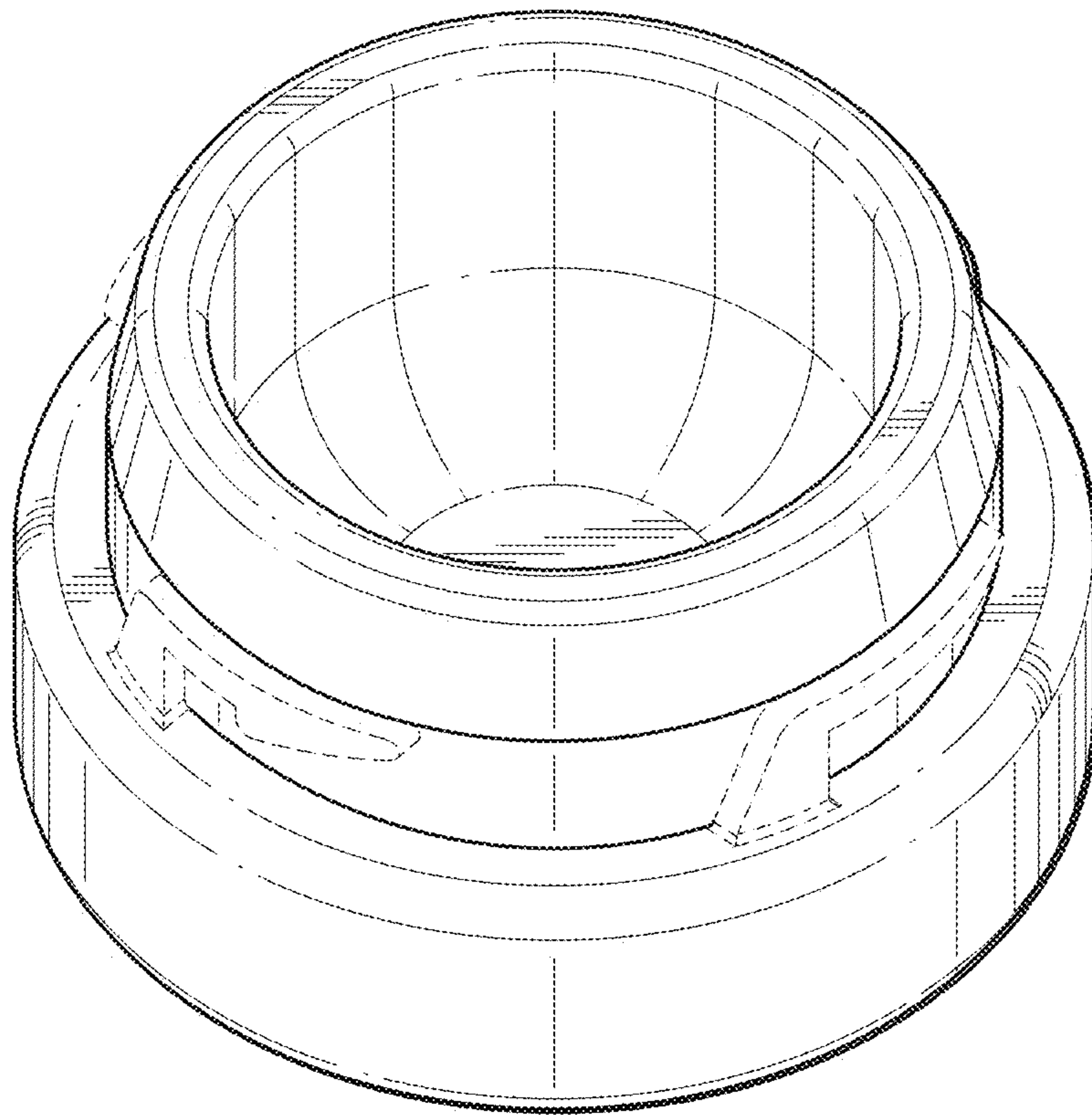


FIG. 2

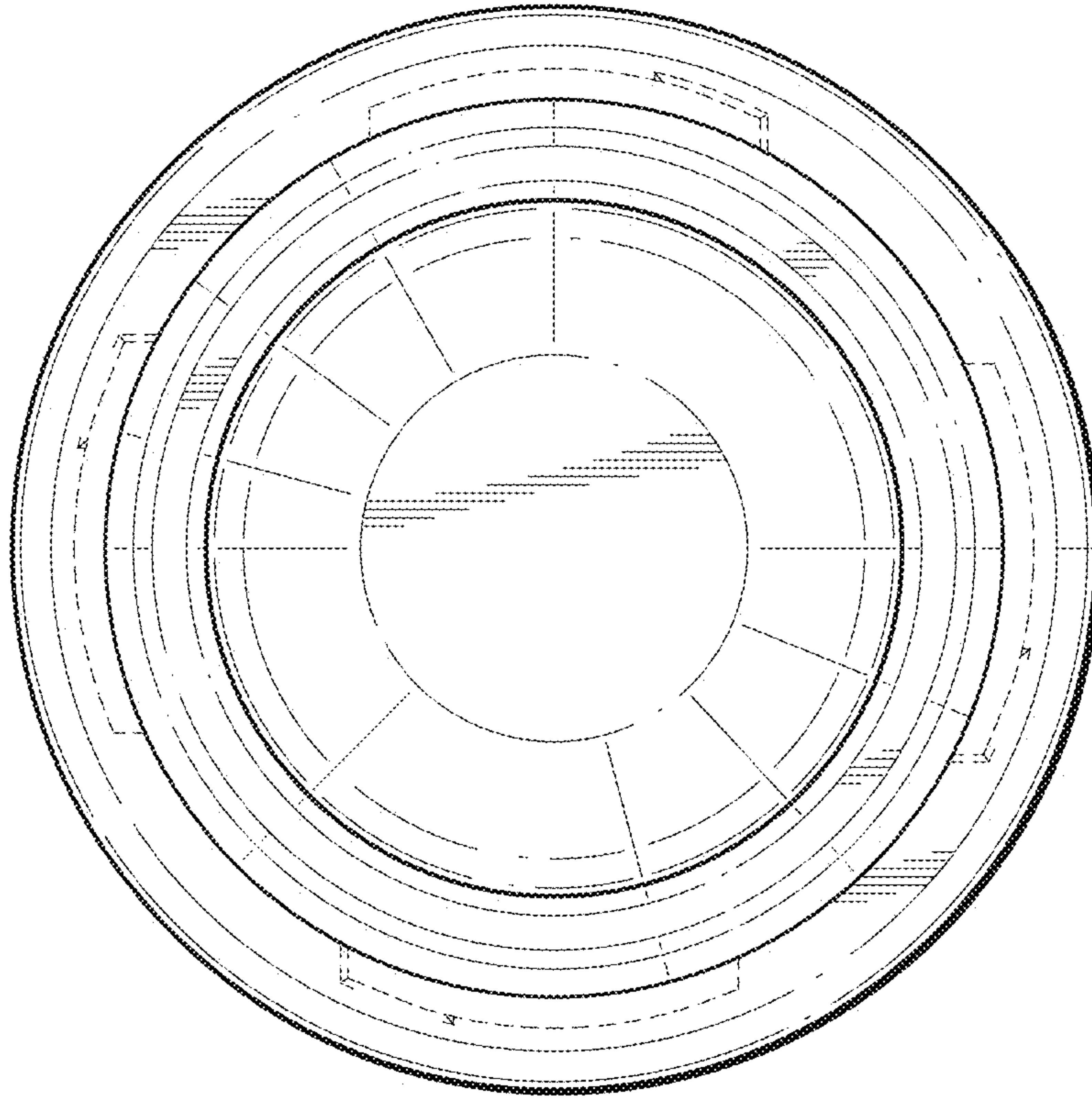


FIG. 3

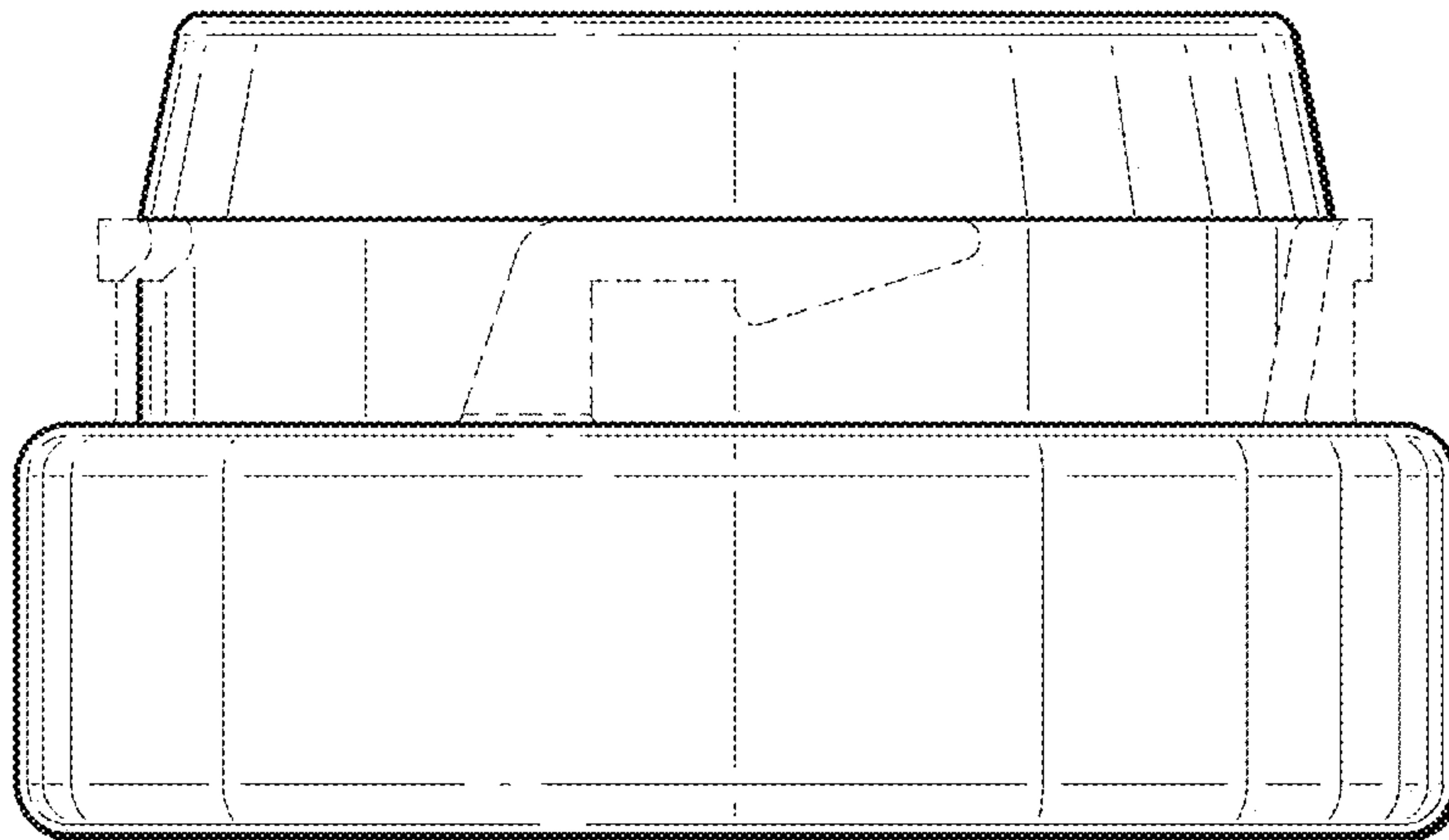


FIG. 4

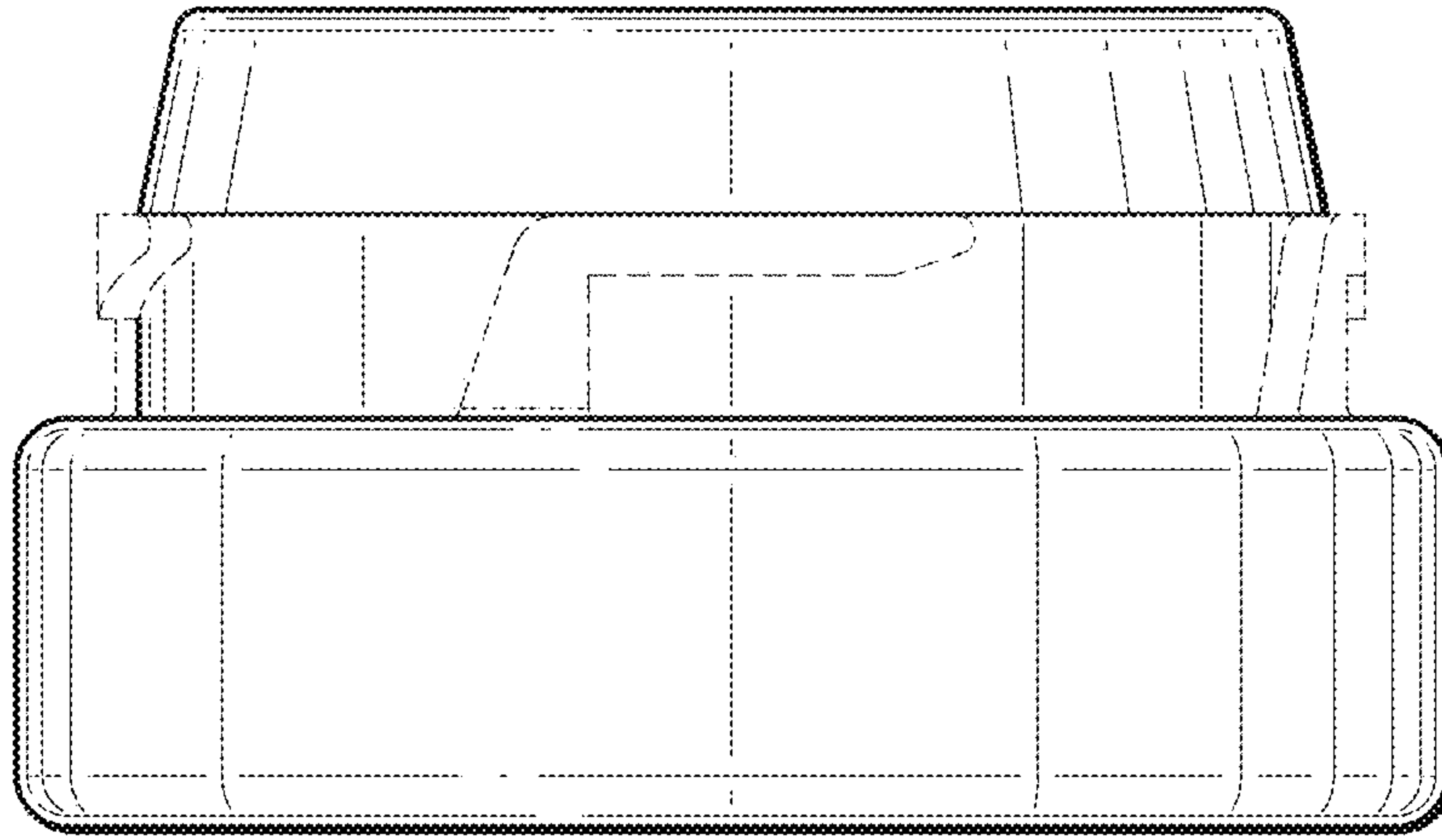


FIG. 5

