

US00D920101S

(12) **United States Design Patent** (10) **Patent No.:** **US D920,101 S**  
**Abel et al.** (45) **Date of Patent:** **\*\* May 25, 2021**

(54) **ABSORBENT ARTICLE PACKAGE**

(56) **References Cited**

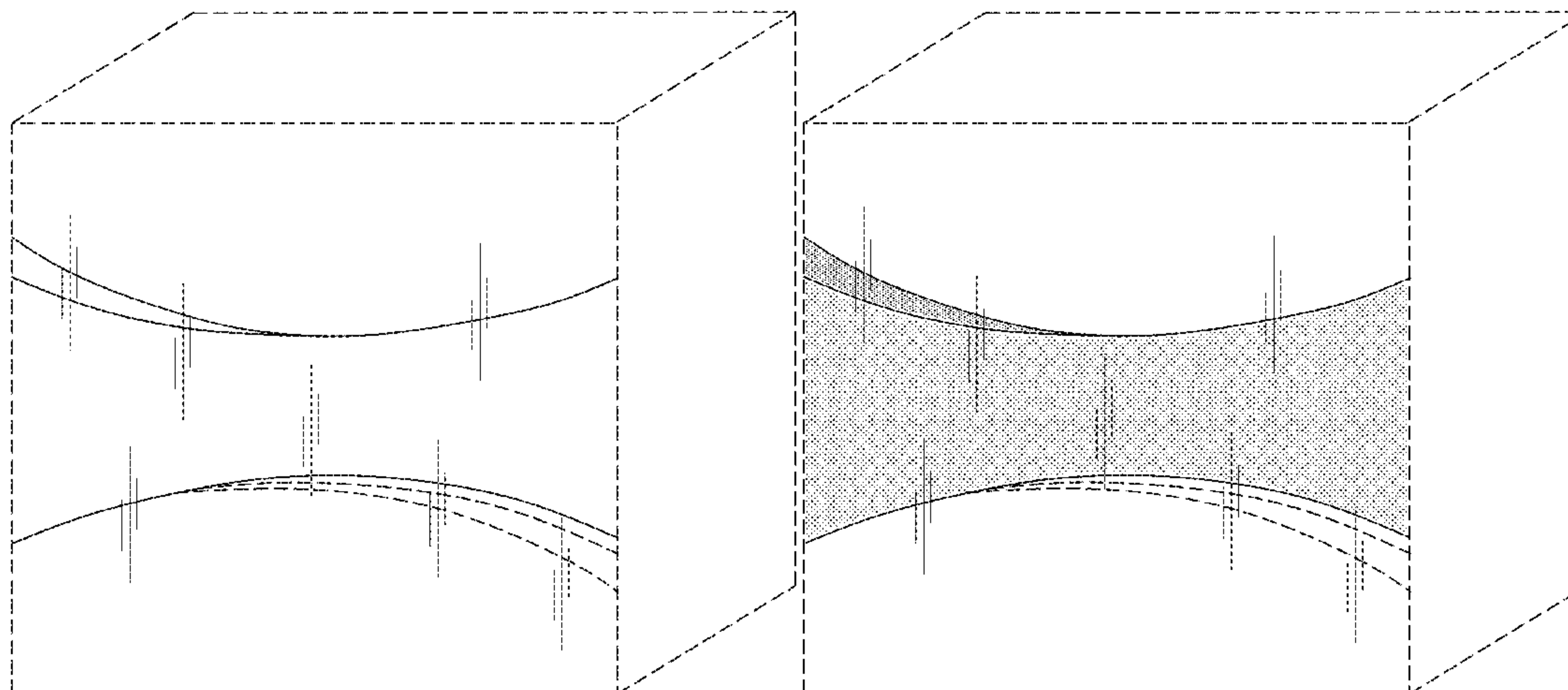
- (71) Applicant: **The Procter & Gamble Company**,  
Cincinnati, OH (US)
- (72) Inventors: **Danielle Lee Abel**, Cincinnati, OH  
(US); **Elizabeth Marguerite Grubow**,  
Covington, KY (US); **Victor Jantzen**,  
Fairfield, OH (US); **JuKyoung Ham**,  
Cincinnati, OH (US); **Billy A. Thomas**,  
Cincinnati, OH (US)
- (73) Assignee: **The Procter & Gamble Company**,  
Cincinnati, OH (US)
- (\*\*) Term: **15 Years**
- (21) Appl. No.: **29/702,824**
- (22) Filed: **Aug. 22, 2019**

U.S. PATENT DOCUMENTS

D87,781 S	9/1932	Hauck	
D90,803 S	10/1933	Cummings	
D132,923 S	6/1942	McIntosh	
D135,294 S	3/1943	Ost	
D323,618 S	2/1992	Arai	
D419,443 S	1/2000	Yonehara	
D524,156 S	7/2006	Hamuro	
D526,194 S	8/2006	Hamuro	
D543,110 S	5/2007	Harada	
D552,986 S	10/2007	Shiia	
D553,977 S	10/2007	Shiia	
D553,978 S	10/2007	Shiia	
D553,984 S	10/2007	Berger	
D553,985 S	10/2007	Berger	
D569,266 S	5/2008	Wouters	
D584,611 S	1/2009	Ames	
D586,210 S	* 2/2009	Noschang	D9/434
D587,111 S	2/2009	Seol	
D587,112 S	2/2009	Magnusson	
D590,250 S	4/2009	Seol	
D590,251 S	4/2009	Seol	
D590,252 S	4/2009	Seol	
D590,253 S	4/2009	Seol	
D599,201 S	9/2009	Seol	
D599,657 S	* 9/2009	Bruno	D9/434
D600,548 S	9/2009	Seol	
D600,551 S	* 9/2009	Bruno	D9/434
D603,701 S	11/2009	Seol	
D612,720 S	3/2010	Marotti	
D625,196 S	10/2010	Partin	
D634,620 S	3/2011	Edwards	
D636,667 S	4/2011	Barclay	
D637,486 S	5/2011	Andrew	
D644,512 S	9/2011	Marotti	
D644,513 S	9/2011	Marotti	
D649,874 S	12/2011	Barclay	
D650,287 S	12/2011	Macaulay	
D651,512 S	1/2012	Eaton	
D651,801 S	1/2012	Brown	
D651,908 S	1/2012	Boyer	
D651,909 S	1/2012	Boyer	
D651,910 S	1/2012	Boyer	
D651,911 S	1/2012	Boyer	
D651,912 S	1/2012	Boyer	
D651,913 S	1/2012	Boyer	
D651,914 S	1/2012	Boyer	
D651,915 S	1/2012	Boyer	
D652,311 S	1/2012	Boyer	
D652,312 S	1/2012	Boyer	

**Related U.S. Application Data**

- (60) Division of application No. 29/662,195, filed on Sep. 4, 2018, now abandoned, which is a division of application No. 29/607,665, filed on Jun. 15, 2017, now abandoned, which is a division of application No. 29/555,646, filed on Feb. 24, 2016, now Pat. No. Des. 799,964, which is a continuation of application No. 29/482,324, filed on Feb. 18, 2014, now Pat. No. Des. 752,439, which is a continuation of application No. 29/400,852, filed on Sep. 1, 2011, now Pat. No. Des. 701,759.
- (51) **LOC (13) Cl.** ..... **09-07**
- (52) **U.S. Cl.**  
USPC ..... **D9/434**
- (58) **Field of Classification Search**  
USPC ..... D3/201, 202, 242, 243, 272, 276, 304,  
D3/308, 315, 318; D7/387, 601, 602,  
D7/609, 610, 622; D9/434, 499,  
D9/414-419, 421-425, 427, 429-433,  
D9/721; D14/485-489, 493  
CPC ... B65D 5/00; B65D 5/02; B65D 5/18; B65D  
5/20  
See application file for complete search history.





D652,313 S	1/2012	Boyer	
D652,314 S	1/2012	Boyer	
D652,315 S	1/2012	Boyer et al.	
D652,736 S	1/2012	Boyer	
D652,737 S	1/2012	Boyer	
D652,738 S	1/2012	Boyer	
D654,367 S	2/2012	Boyer	
D654,368 S	2/2012	Boyer	
D654,370 S	2/2012	Campbell	
D654,801 S	2/2012	Boyer	
D654,802 S	2/2012	Boyer	
D654,803 S	2/2012	Boyer	
D654,804 S	2/2012	Boyer	
D655,184 S	3/2012	Boyer et al.	
D655,185 S	3/2012	Boyer	
D655,186 S	3/2012	Boyer	
D655,187 S	3/2012	Boyer	
D655,188 S	3/2012	Boyer	
D655,189 S	3/2012	Boyer	
D655,190 S	3/2012	Boyer	
D655,194 S	3/2012	Boyer	
D655,195 S	3/2012	Boyer	
D655,196 S	3/2012	Boyer	
D656,406 S	3/2012	Boyer	
D656,836 S	4/2012	Boyer	
D657,687 S	4/2012	Boyer	
D658,069 S	4/2012	Boyer	
D659,009 S	5/2012	Boyer	
D661,985 S	6/2012	Macaulay	
D666,091 S	8/2012	Klopp	
D678,054 S	3/2013	Powers	
D678,764 S	3/2013	Powers	
D684,467 S	6/2013	Macaulay et al.	
D684,468 S	6/2013	Macaulay et al.	
D686,067 S	7/2013	Macaulay	
D691,887 S	10/2013	Macaulay	
D693,680 S	11/2013	Klopp	
D700,050 S	2/2014	Ungers	
D701,759 S	4/2014	Abel	
D701,760 S	4/2014	Fraser	
D703,041 S	4/2014	Abel	
D703,532 S	4/2014	Merchant	
D703,533 S	4/2014	Merchant	
D705,056 S	5/2014	Gagliardo	
D706,629 S	6/2014	Bartels	
D706,630 S	6/2014	Merchant	
D707,122 S	6/2014	Merchant	
D711,737 S	* 8/2014	Hara .....	D9/432
D712,736 S	9/2014	Hara et al.	
D715,142 S	10/2014	Allen et al.	
D716,651 S	11/2014	Abel	
D716,652 S	11/2014	Abel	
D723,915 S	3/2015	Abel	
D741,710 S	10/2015	Katopo et al.	
D744,333 S	12/2015	Hood	
D744,830 S	12/2015	Klopp et al.	
D745,394 S	12/2015	Hood	
D747,197 S	1/2016	Bartels	
D752,439 S	3/2016	Abel	
D752,981 S	4/2016	Dumville	
D756,218 S	5/2016	Read	
D756,224 S	5/2016	Damon	
D764,286 S	8/2016	Dumville	
D764,913 S	8/2016	Hood	
D767,397 S	9/2016	Leuliet	
D767,398 S	9/2016	Miyazaki et al.	
D768,480 S	10/2016	Hood et al.	
D768,481 S	* 10/2016	Gagliardo .....	D9/434
D772,072 S	11/2016	Klopp et al.	
D776,537 S	* 1/2017	Uribe .....	D9/499
D777,035 S	* 1/2017	Uribe .....	D9/499
D794,442 S	8/2017	Boston et al.	
D799,964 S	10/2017	Abel	
D806,540 S	1/2018	Labahn-Childs et al.	
D821,217 S	6/2018	Bonilla et al.	
D829,546 S	* 10/2018	Gagliardo .....	D9/434
D842,693 S	* 3/2019	Janes .....	D9/434
D877,621 S	* 3/2020	Lowery .....	D9/629

2007/0295629	A1	12/2007	Adriaanse
2008/0110782	A1	5/2008	Burgdorf
2016/0038353	A1	2/2016	Bonilla

OTHER PUBLICATIONS

NBC News. Always to ax female symbol from sanitary products packages in nod to trans users by Gwen aVILES. Oct. 21, 2019. <https://www.nbcnews.com/feature/nbc-out/always-remove-female-symbol-sanitary-products-packaging-n1069721> (Year: 2019).\*

The Period Bog, Always Infinity Pads Review. Jul. 2, 2015 [earliest online date], [site visited Nov. 23, 2016], Available from Internet, URL:<http://www.theperiodblog.com/reviews/always-infinity-pads-review/>.

All Office Actions, U.S. Appl. No. 29/400,852, filed Sep. 1, 2011.  
All Office Actions, U.S. Appl. No. 29/482,324, filed Feb. 18, 2014.  
All Office Actions, U.S. Appl. No. 29/555,646, filed Feb. 24, 2016.  
All Office Actions, U.S. Appl. No. 29/607,665, filed Jun. 15, 2017.  
All Office Actions, U.S. Appl. No. 29/662,195, filed Sep. 4, 2018.

\* cited by examiner

*Primary Examiner* — Darcey E Gottschalk

(74) *Attorney, Agent, or Firm* — William E. Gallagher

(57) **CLAIM**

The ornamental design for an absorbent article package, as shown and described.

**DESCRIPTION**

FIG. 1 is a perspective front view of an embodiment of an absorbent article package embodying the new design; FIG. 2 is a front view of the design shown in FIG. 1; and FIG. 3 is a right side view of the design shown in FIG. 1; the left side, top, bottom, and back views are similar and thus omitted.

FIG. 4 is a perspective front view of another embodiment of an absorbent article package embodying the new design; FIG. 5 is a front view of the design shown in FIG. 4; and FIG. 6 is a right side view of the design shown in FIG. 4; the left side, top, bottom, and back views are similar and thus omitted.

FIG. 7 is a perspective front view of another embodiment of an absorbent article package embodying the new design; FIG. 8 is a front view of the design shown in FIG. 7; and FIG. 9 is a right side view of the design shown in FIG. 7; the left side, top, bottom, and back views are similar and thus omitted.

FIG. 10 is a perspective front view of another embodiment of an absorbent article package embodying the new design; FIG. 11 is a front view of the design shown in FIG. 10; and FIG. 12 is a right side view of the design shown in FIG. 10; the left side, top, bottom, and back views are similar and thus omitted.

FIG. 13 is a perspective front view of another embodiment of an absorbent article package embodying the new design; FIG. 14 is a front view of the design shown in FIG. 13; and FIG. 15 is a right side view of the design shown in FIG. 13; the left side, top, bottom, and back views are similar and thus omitted.

FIG. 16 is a perspective front view of another embodiment of an absorbent article package embodying the new design; FIG. 17 is a front view of the design shown in FIG. 16; and, FIG. 18 is a right side view of the design shown in FIG. 16; the left side, top, bottom, and back views are similar and thus omitted.

Further embodiments of the claimed design include the mirror images of the embodiments described above.

Where stippling is shown, stippling indicates a color or pattern of a first portion contrasting with a color or pattern of an adjacent portion shown without stippling. Where differing stippling patterns are shown in adjacent first and second portions, this indicates colors or patterns in respective adjacent first and second portions, that contrast with each other.

Broken lines shown in the figures described above are for purposes of illustrating environmental structure and form no part of the claimed design.

**1 Claim, 18 Drawing Sheets**

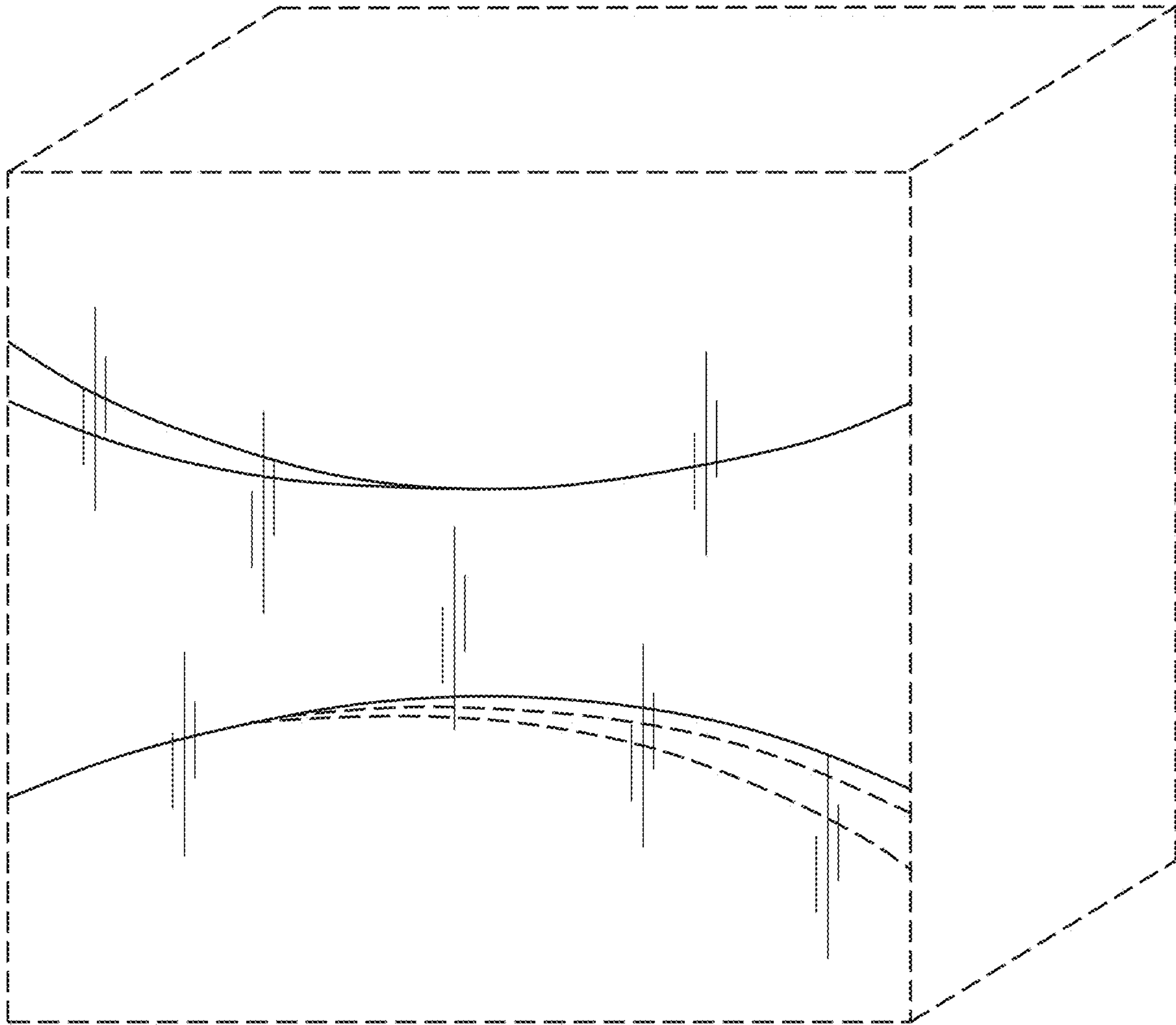


FIG. 1

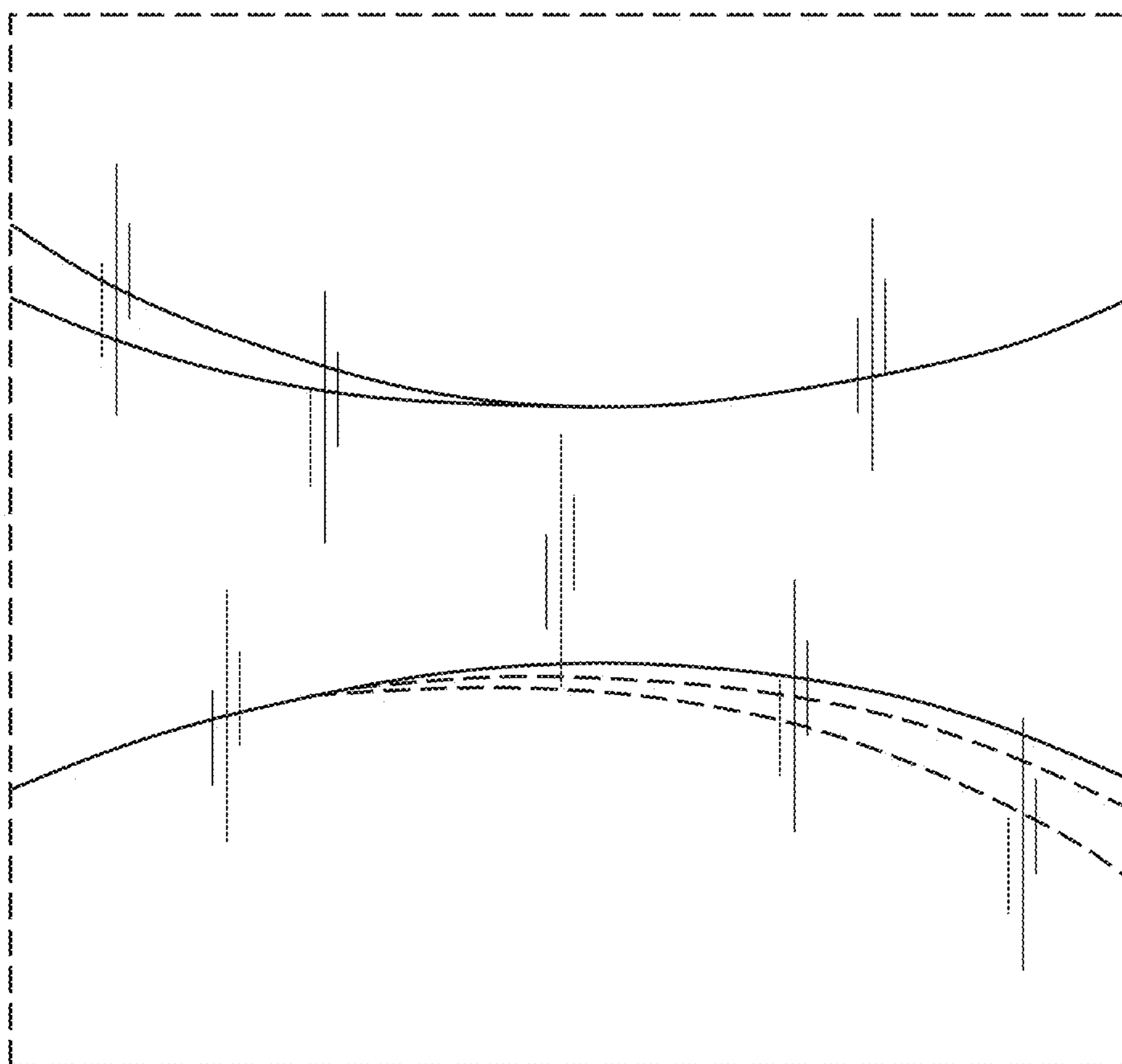


FIG. 2



FIG. 3



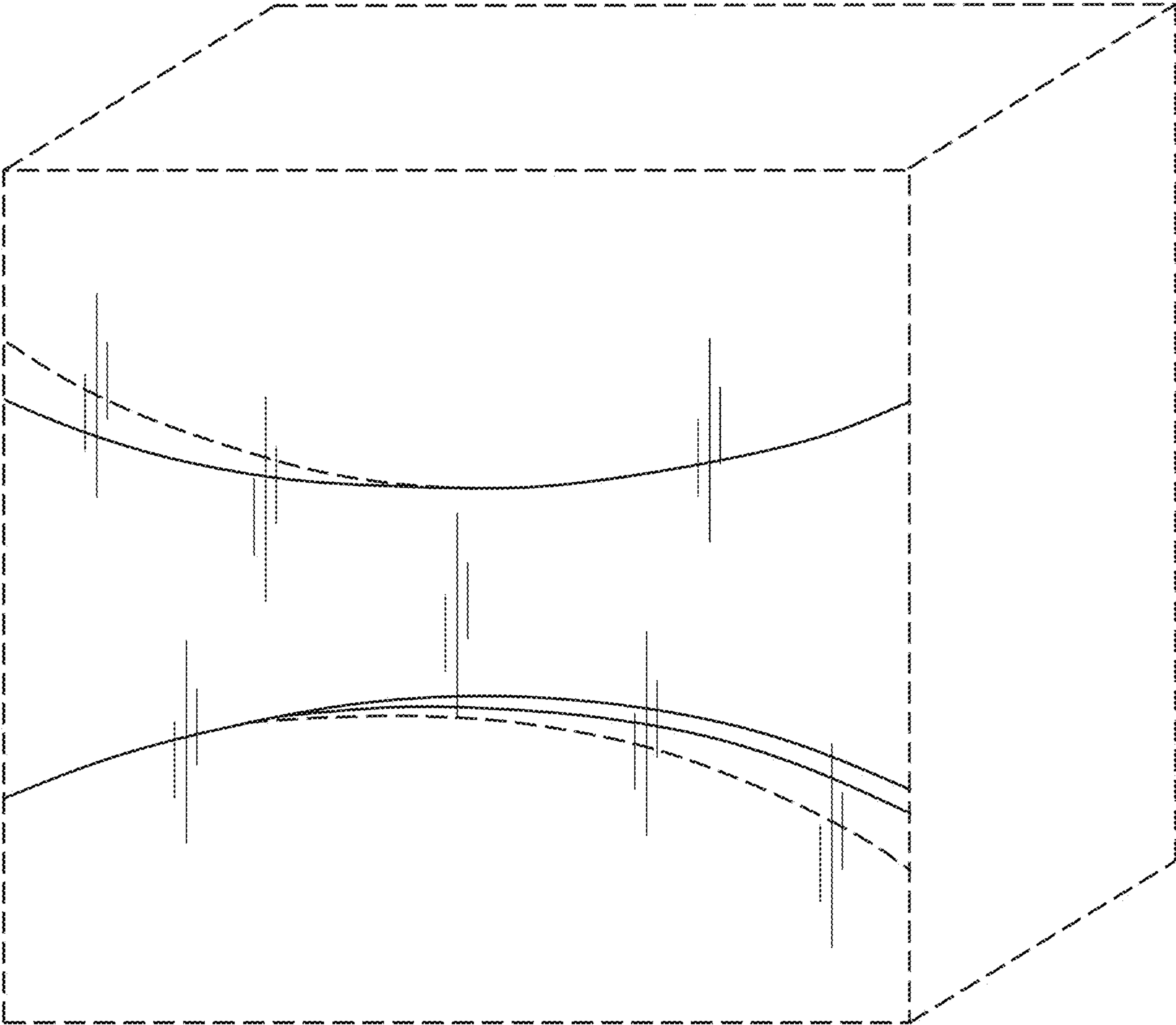


FIG. 4

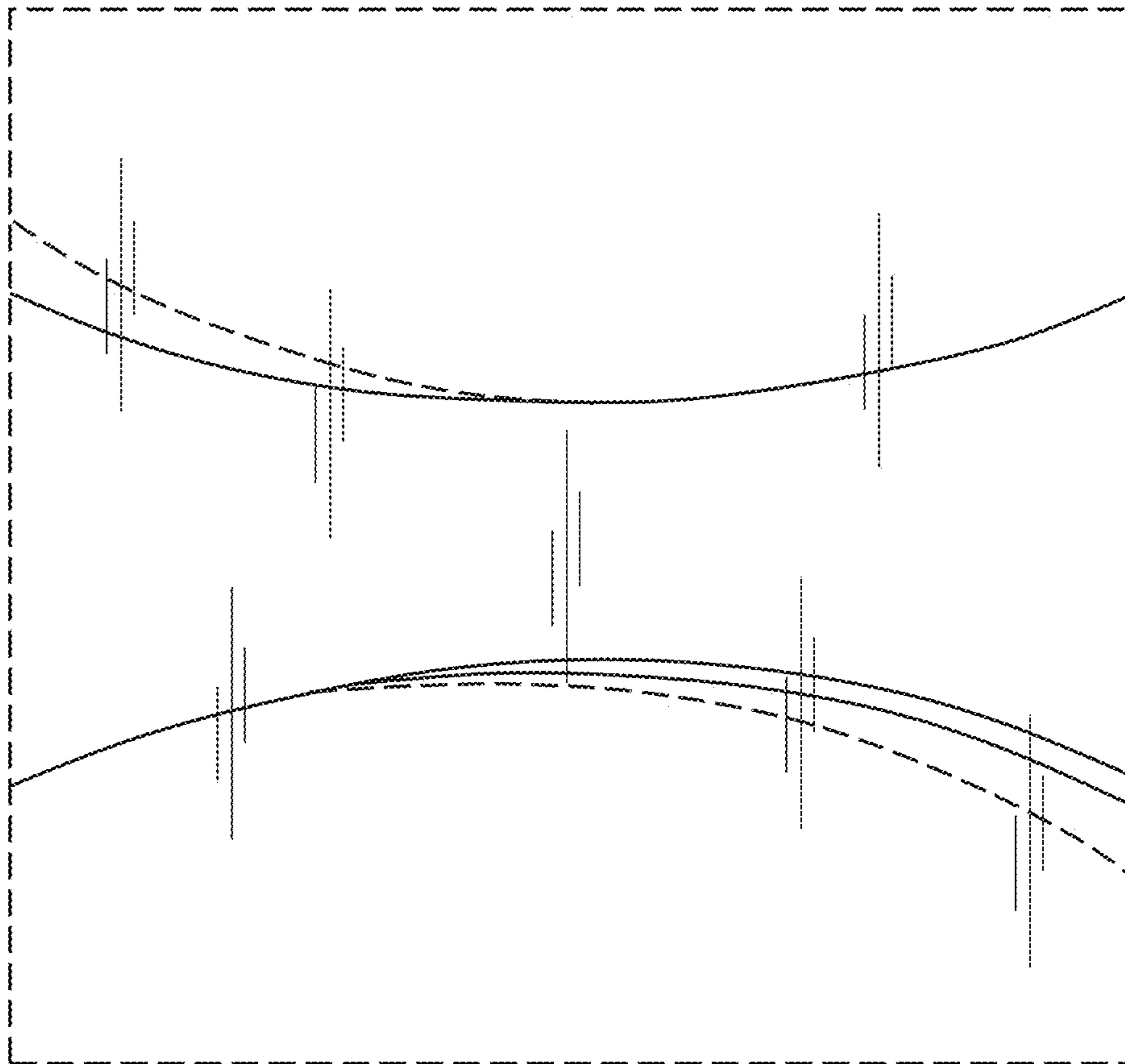


FIG. 5





FIG. 6

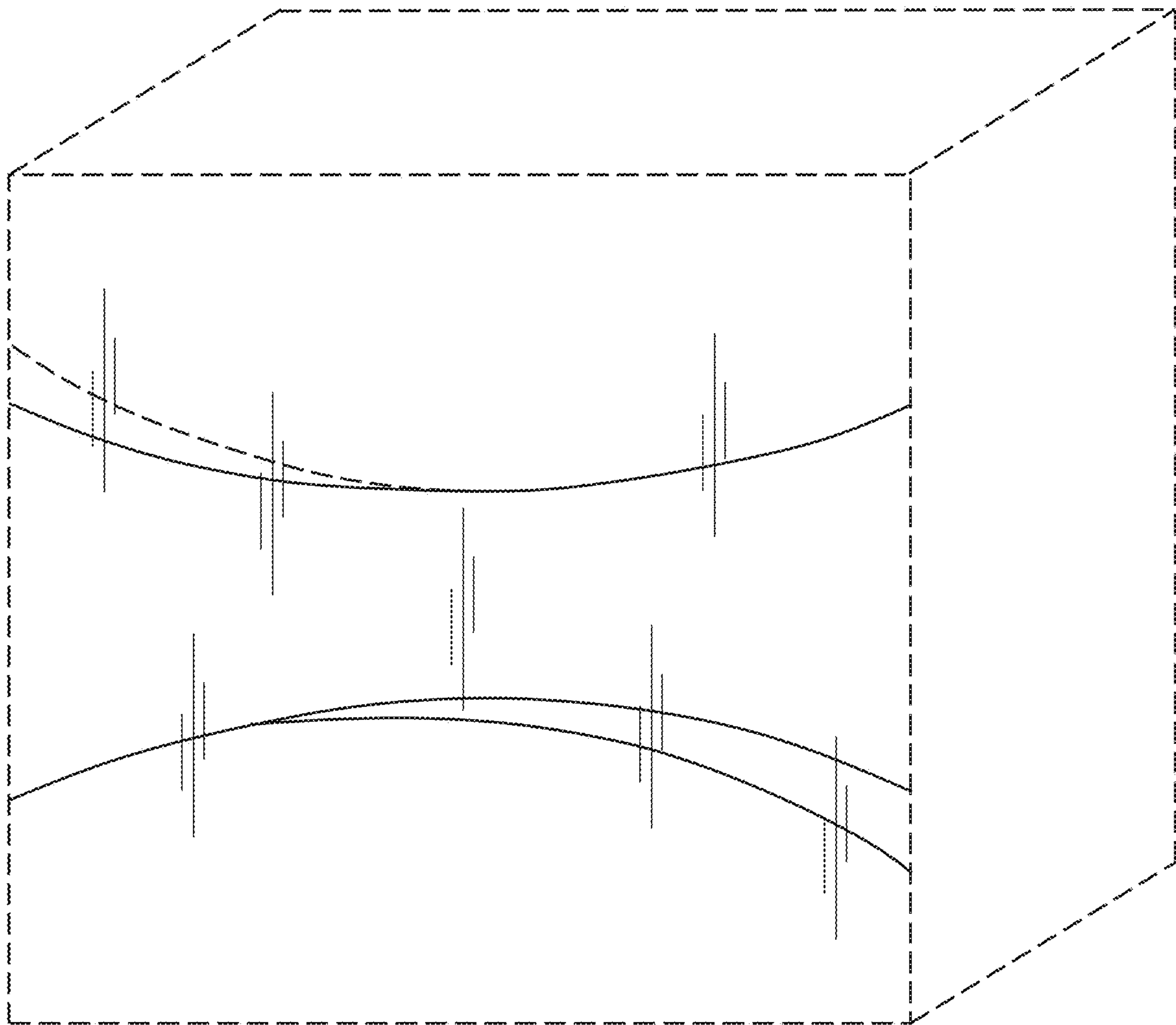


FIG. 7

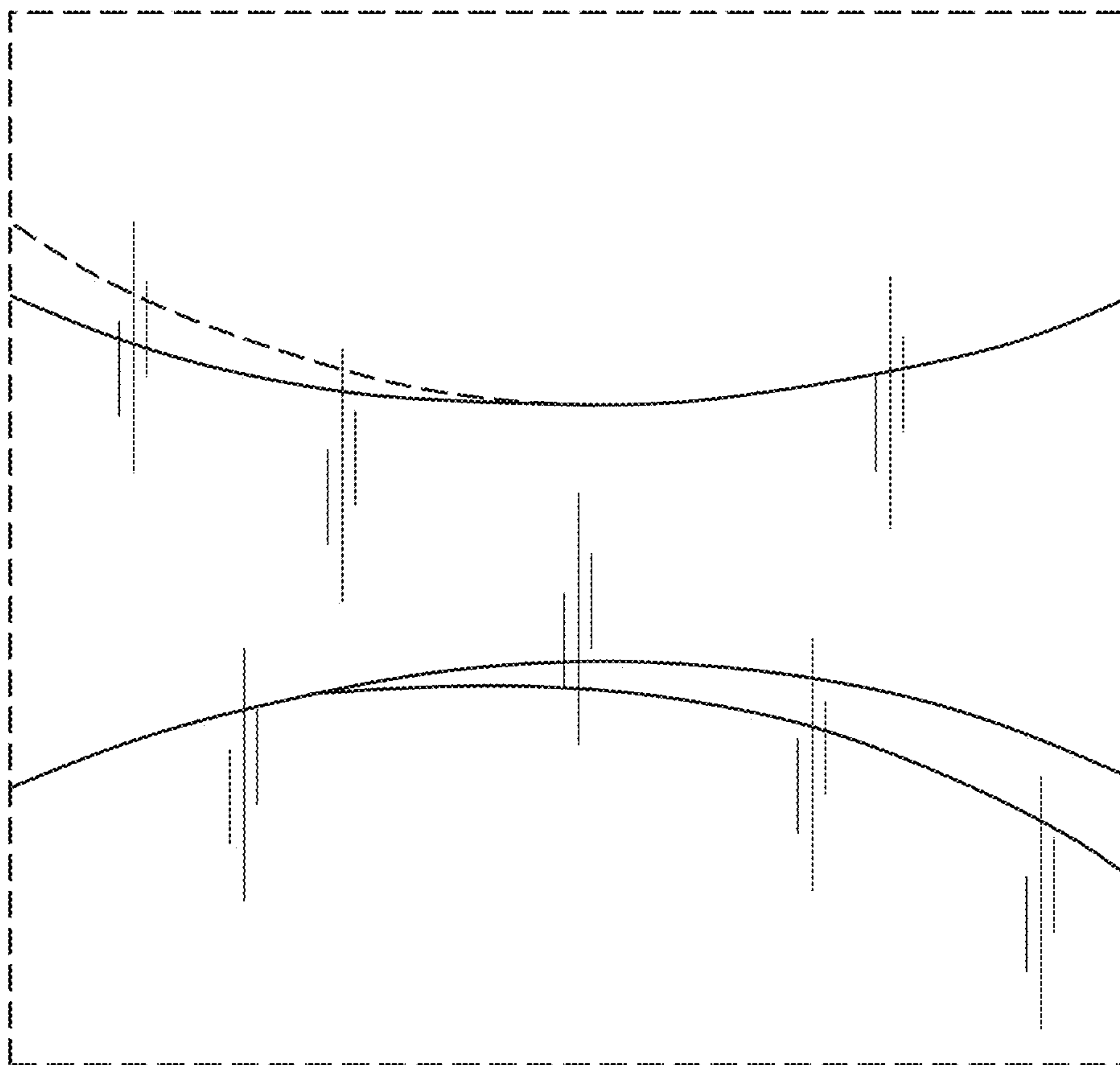


FIG. 8



FIG. 9

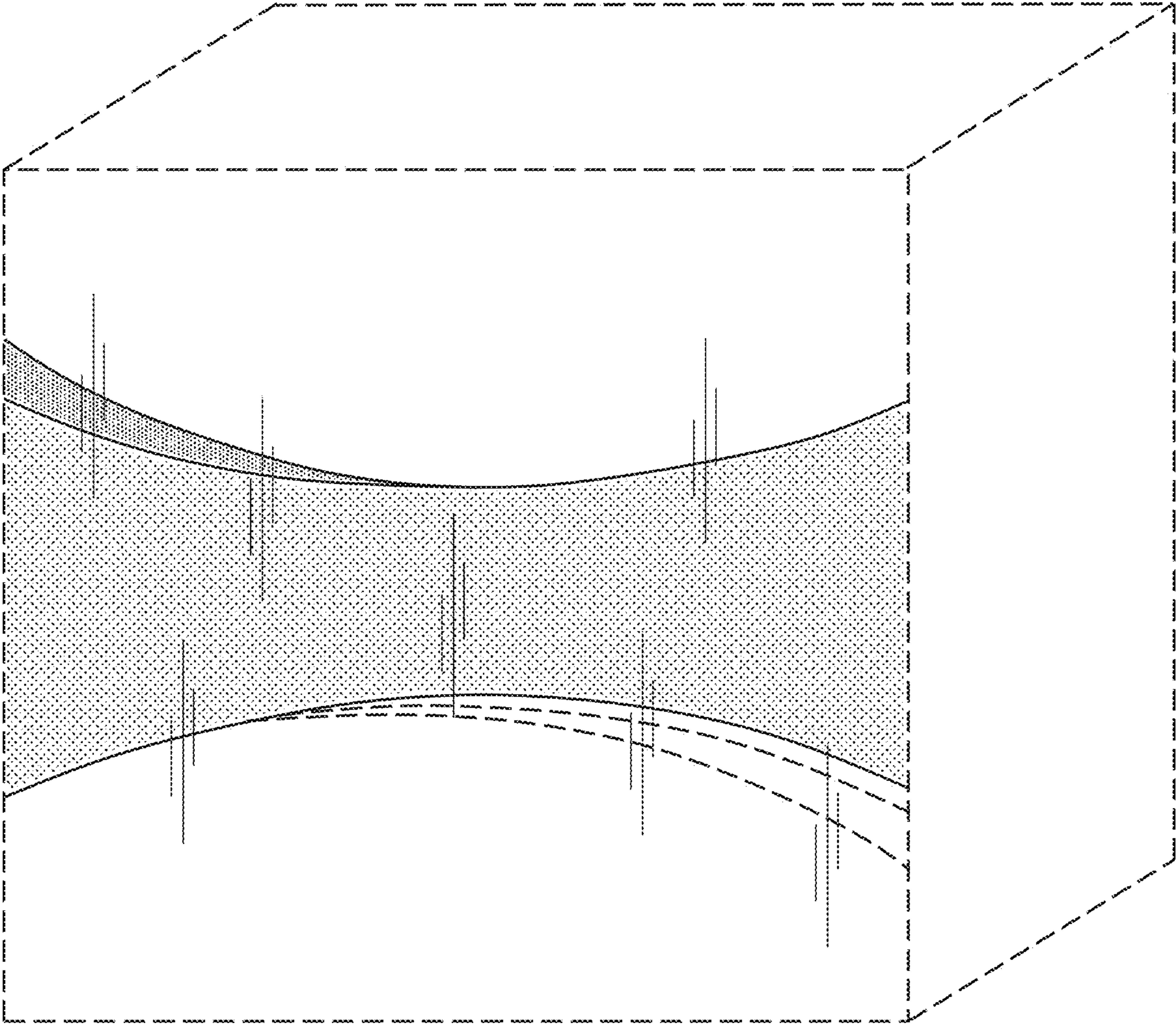


FIG. 10



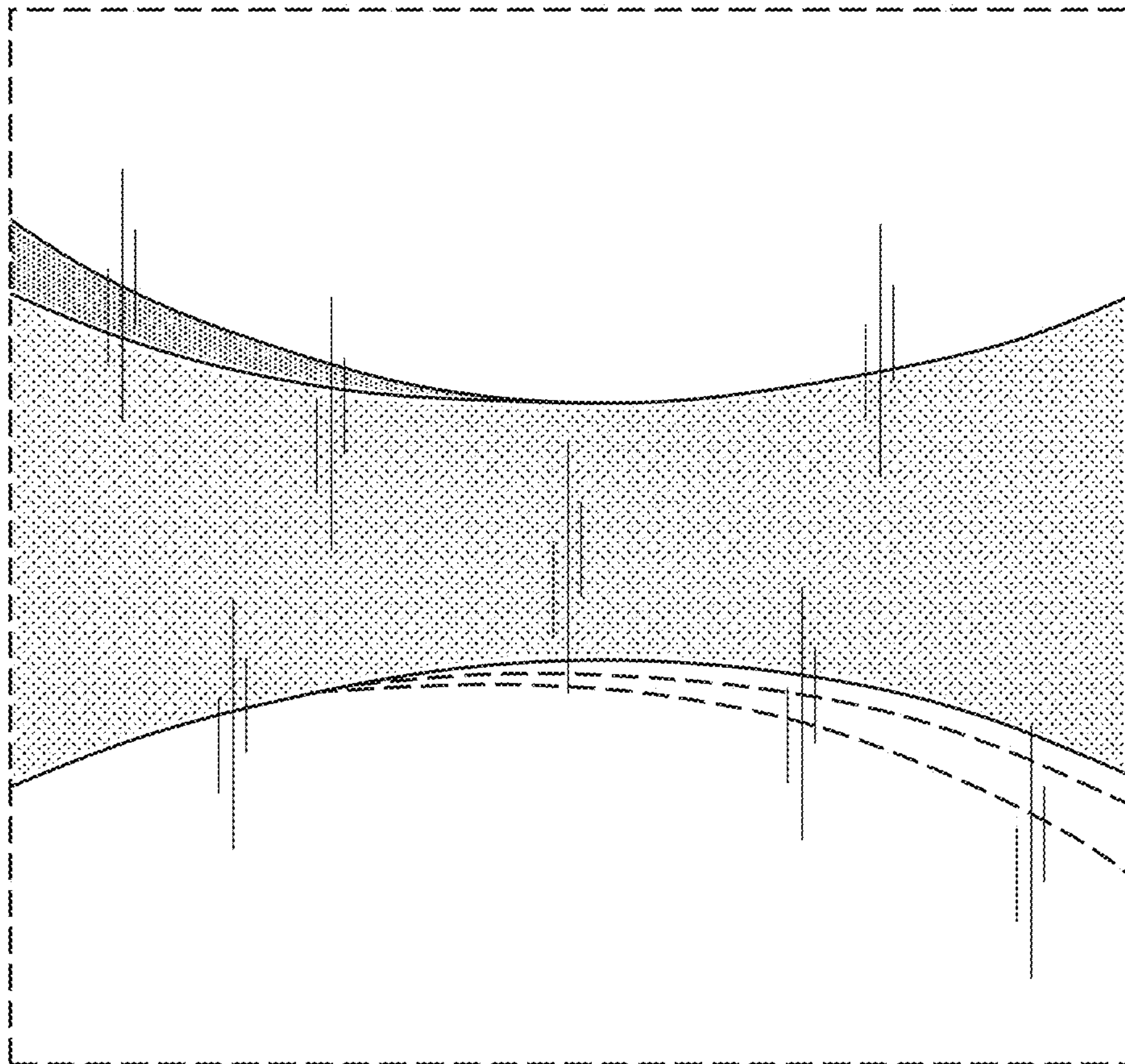


FIG. 11



FIG. 12

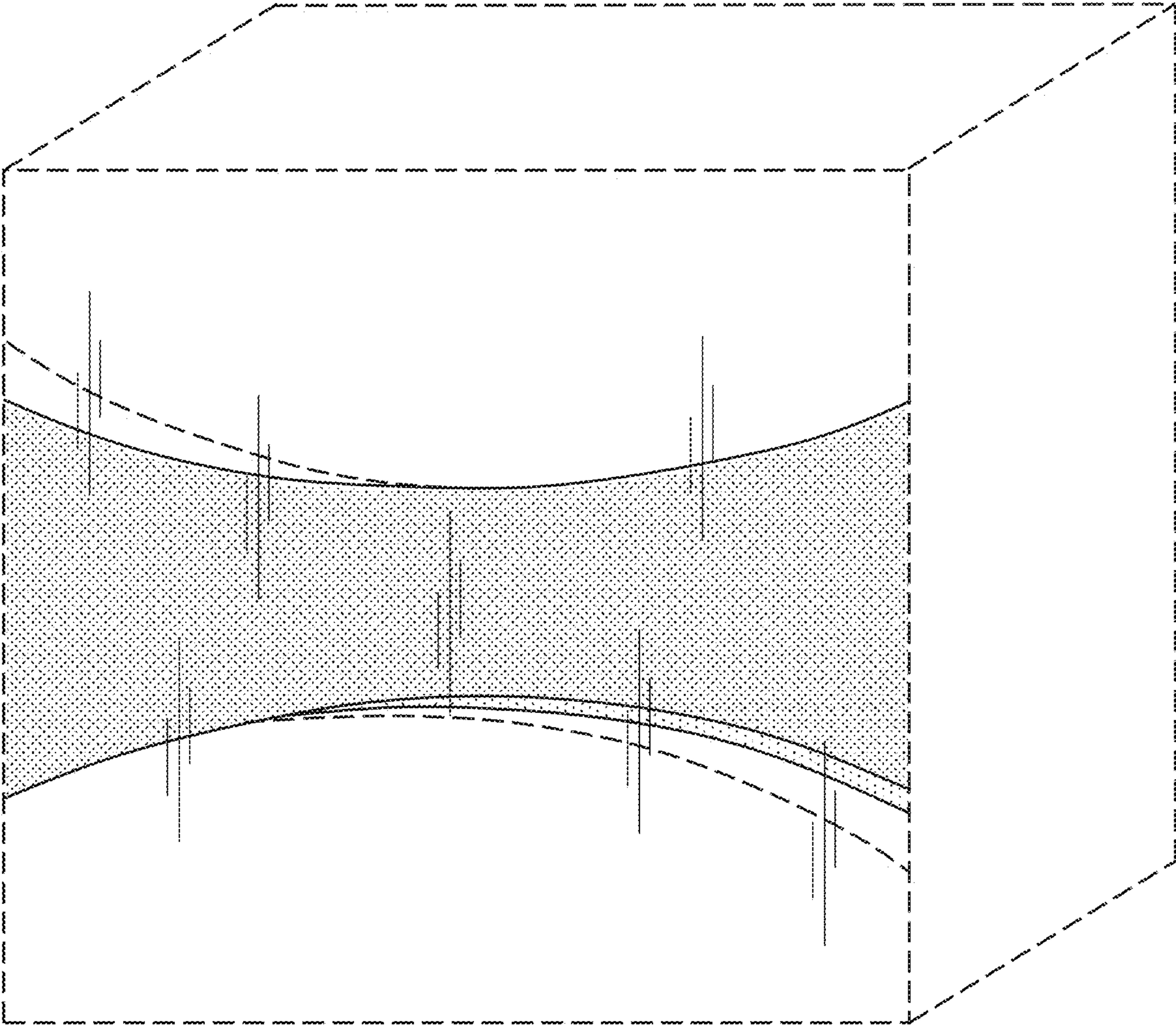


FIG. 13

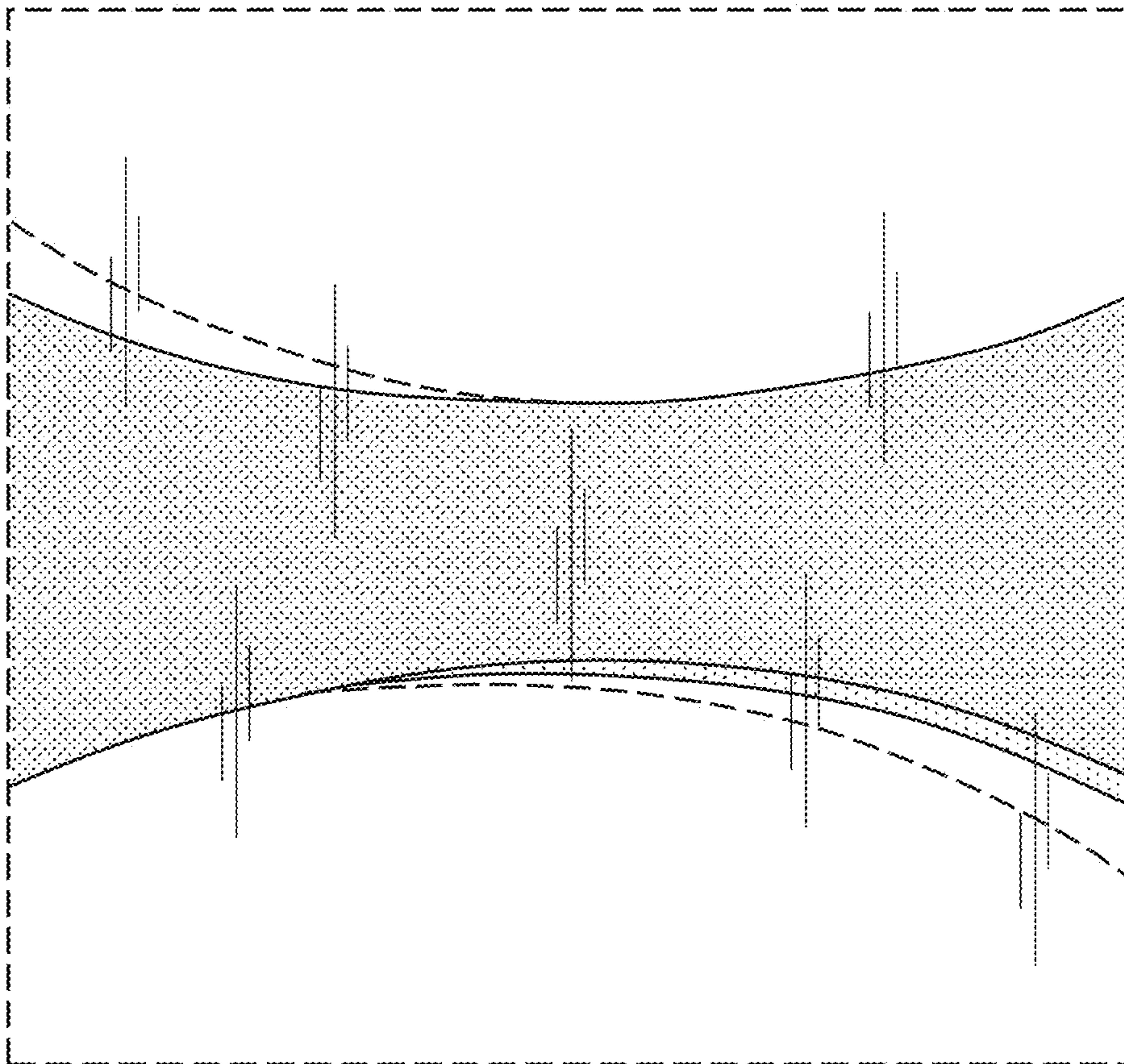


FIG. 14



FIG. 15



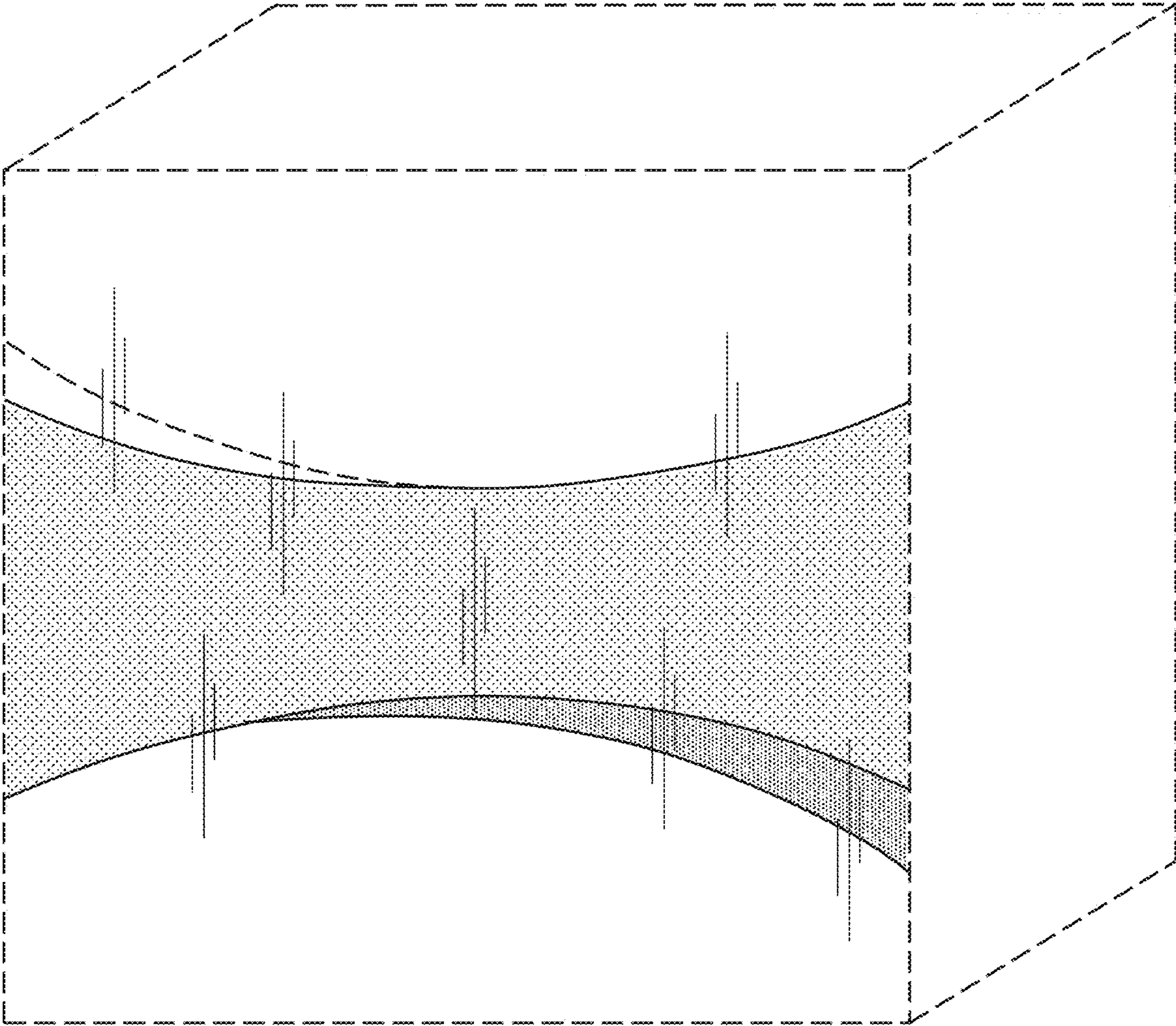


FIG. 16

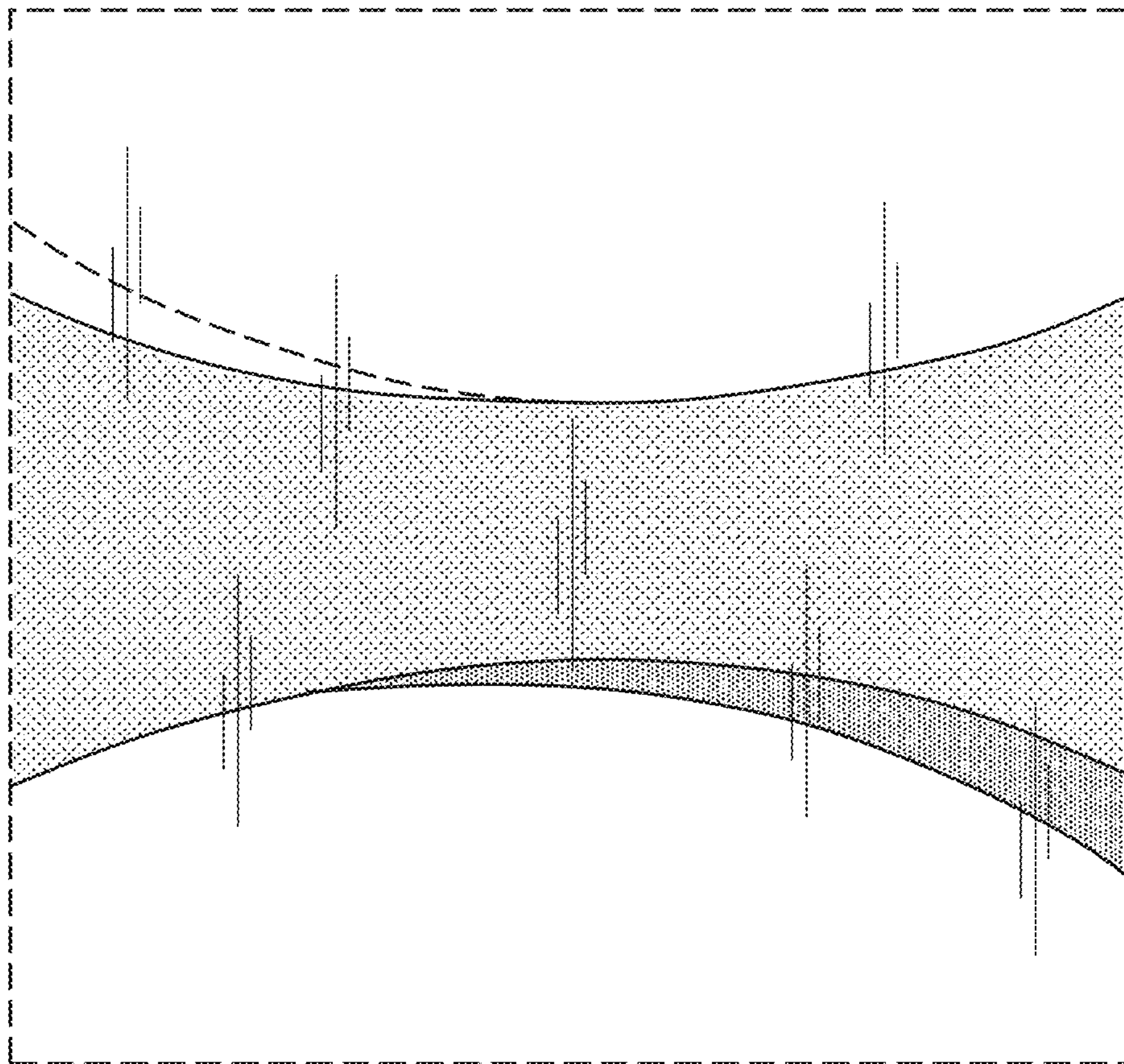


FIG. 17



FIG. 18