



US00D920100S

(12) **United States Design Patent** (10) **Patent No.:** **US D920,100 S**
Murphy (45) **Date of Patent:** **** May 25, 2021**

(54) **TAMPER-EVIDENT FEATURE FOR A CONTAINER**

FOREIGN PATENT DOCUMENTS

(71) Applicant: **PACTIV LLC**, Lake Forest, IL (US)

CA 2533046 A1 2/2005
CA 2533236 A1 8/2006

(72) Inventor: **Brian M. Murphy**, Chicago, IL (US)

(Continued)

(73) Assignee: **PACTIV LLC**, Lake Forest, IL (US)

OTHER PUBLICATIONS

(**) Term: **15 Years**

U.S. Appl. No. 16/385,145, filed Apr. 16, 2019.

(21) Appl. No.: **29/687,781**

Primary Examiner — Lauren R Calve

(22) Filed: **Apr. 16, 2019**

(74) *Attorney, Agent, or Firm* — Baker Botts L.L.P.

(51) **LOC (13) Cl.** **09-07**

(57) **CLAIM**

(52) **U.S. Cl.**
USPC **D9/434**

The ornamental design for a tamper-evident feature for a container, as shown and described.

(58) **Field of Classification Search**
USPC D9/414, 416, 424, 432, 434, 435
CPC B65D 55/024; B65D 43/0237;
B65D 43/162; B65D 2543/00194; B65D
2543/00296

DESCRIPTION

See application file for complete search history.

FIG. 1 is a perspective view of a tamper-evident feature for a container of our design;
FIG. 2 is a perspective view of the tamper-evident feature for a container of FIG. 1, shown in an open position;
FIG. 3 is a back view of the tamper-evident feature for a container of FIG. 1;
FIG. 4 is a front view of the tamper-evident feature for a container of FIG. 1;
FIG. 5 is a side view of the tamper-evident feature for a container of FIG. 1;
FIG. 6 is a side view of the tamper-evident feature for a container of FIG. 1;
FIG. 7 is a top view of the tamper-evident feature for a container of FIG. 1; and,
FIG. 8 is a bottom view of the tamper-evident feature for a container of FIG. 1.
The broken lines shown in the Figures are included for the purpose of illustrating the environment and boundaries and form no part of the claimed design.

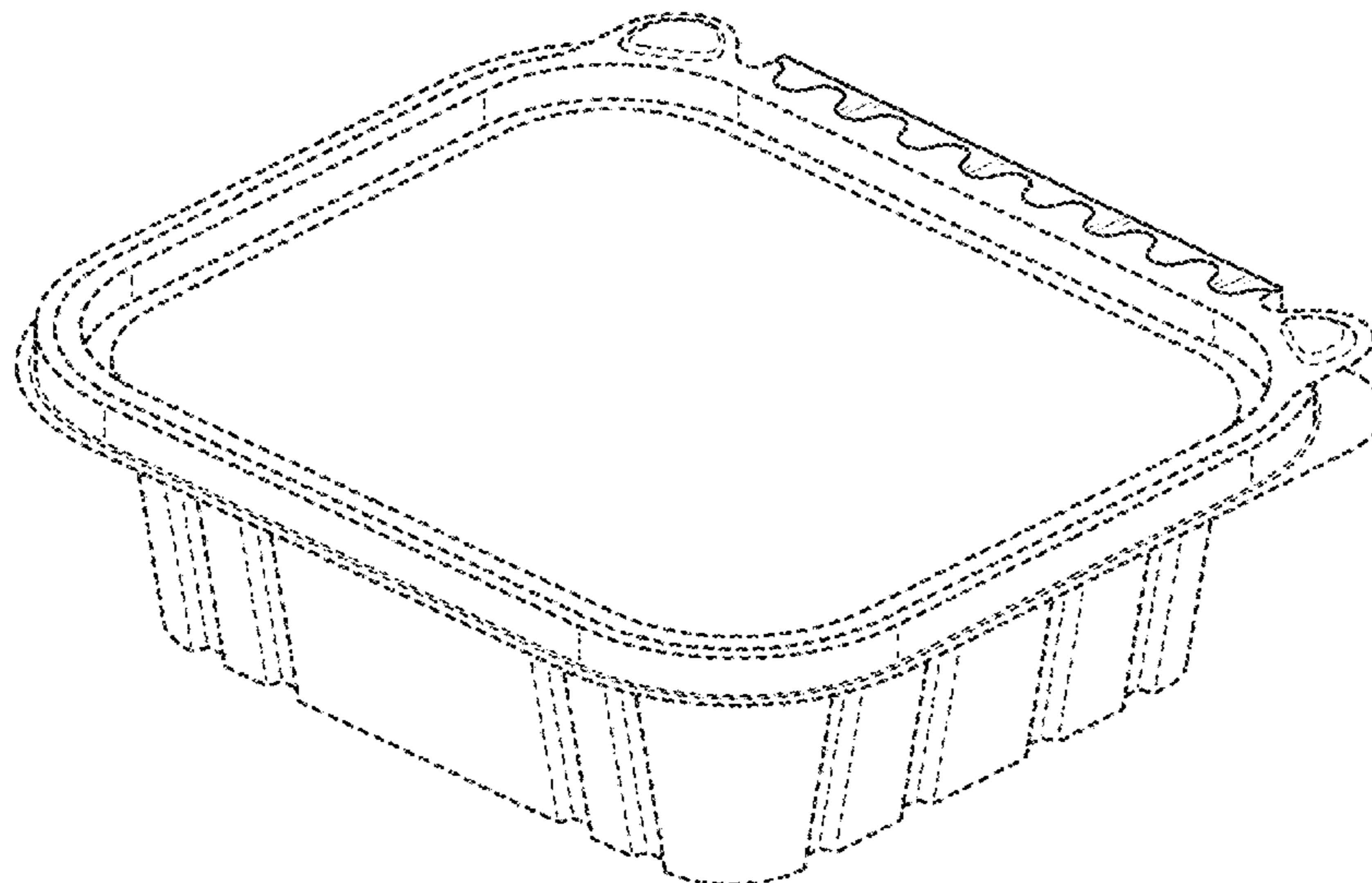
(56) **References Cited**

U.S. PATENT DOCUMENTS

5,046,659	A	9/1991	Warburton	
5,131,551	A	7/1992	Wells	
5,507,406	A	4/1996	Urciuoli et al.	
5,584,408	A	12/1996	Orkisz	
5,758,791	A	6/1998	Mangla	
5,897,011	A *	4/1999	Brilliant	B65D 43/162 220/4.23
5,938,068	A	8/1999	Atkins et al.	
6,092,687	A *	7/2000	Hupp	B65D 43/162 220/666
6,269,969	B1	8/2001	Huang et al.	
6,609,623	B2	8/2003	Chou	
6,651,813	B2	11/2003	Vallans et al.	
7,073,680	B2	7/2006	Boback et al.	
7,118,003	B2	10/2006	Sellari et al.	
7,712,626	B2	5/2010	Vovan	
7,992,743	B2	8/2011	Vovan	

(Continued)

1 Claim, 8 Drawing Sheets



US D920,100 S

(56)

References Cited

U.S. PATENT DOCUMENTS

D646,563	S *	10/2011	Bontrager	D9/425
8,251,249	B1	8/2012	Vovan		
8,360,262	B2	1/2013	Vovan		
D675,517	S	2/2013	Garza		
8,608,008	B2	12/2013	Gingras et al.		
8,795,580	B2	8/2014	Sellari et al.		
8,833,589	B2	9/2014	Vovan		
8,939,307	B2	1/2015	Gingras et al.		
9,016,503	B2	4/2015	Barbier et al.		
9,132,942	B2 *	9/2015	Nikaein	B65D 43/0249
9,242,769	B2	1/2016	Gartz et al.		
9,365,331	B2	6/2016	Gingras et al.		
9,409,683	B2	8/2016	Gingras et al.		
9,493,277	B2	11/2016	Parikh et al.		
9,527,640	B2	12/2016	Sellari et al.		
9,624,009	B2 *	4/2017	Gingras	B65D 43/16
9,630,756	B2	4/2017	Sellari et al.		
9,944,436	B2	4/2018	Kalmanides		
D824,759	S *	8/2018	Ahmed	D9/434
D876,222	S *	2/2020	Carr	D9/434
10,870,519	B2 *	12/2020	Lotfi	B65D 43/0235
2006/0289549	A1 *	12/2006	Vovan	B65D 43/0254 220/791
2010/0102074	A1 *	4/2010	Parikh	B65D 41/32 220/810
2012/0067009	A1 *	3/2012	Bontrager	B65D 43/0237 53/467

2012/0181280	A1 *	7/2012	Barbier	B65D 43/0235 220/269
2013/0160406	A1	6/2013	Johnston		
2014/0190970	A1 *	7/2014	Huang	B65D 43/0254 220/268
2015/0060455	A1	3/2015	Chou		
2015/0298853	A1 *	10/2015	Chen	B65D 43/0254 220/270
2015/0307239	A1 *	10/2015	Chen	B65D 43/162 220/270
2016/0016707	A1	1/2016	Sellari et al.		
2016/0096663	A1	4/2016	Lotfi et al.		
2016/0236837	A1 *	8/2016	Malcolm	B65D 43/162
2017/0001766	A1 *	1/2017	Cimmerer	B65D 43/162
2017/0233156	A1	8/2017	Shukla et al.		
2017/0305616	A1 *	10/2017	Barbier	B65D 43/162
2018/0118421	A1	5/2018	Allers et al.		
2018/0170629	A1	6/2018	Phan et al.		
2019/0084736	A1 *	3/2019	Pohlman	B65D 51/1666
2019/0127125	A1 *	5/2019	Thierry	B65D 43/169
2019/0291927	A1 *	9/2019	Farach	B65D 43/162
2020/0055642	A1 *	2/2020	Barbier	B65D 43/0268
2020/0115117	A1 *	4/2020	Tsertsvadze	B65D 43/0254
2020/0331674	A1 *	10/2020	Murphy	B65D 43/162

FOREIGN PATENT DOCUMENTS

CA	2748213	A1	2/2012
CA	3003184	A1	2/2012
GB	2 412 651	A	10/2005
WO	WO 2005/009857	A1	2/2005

* cited by examiner

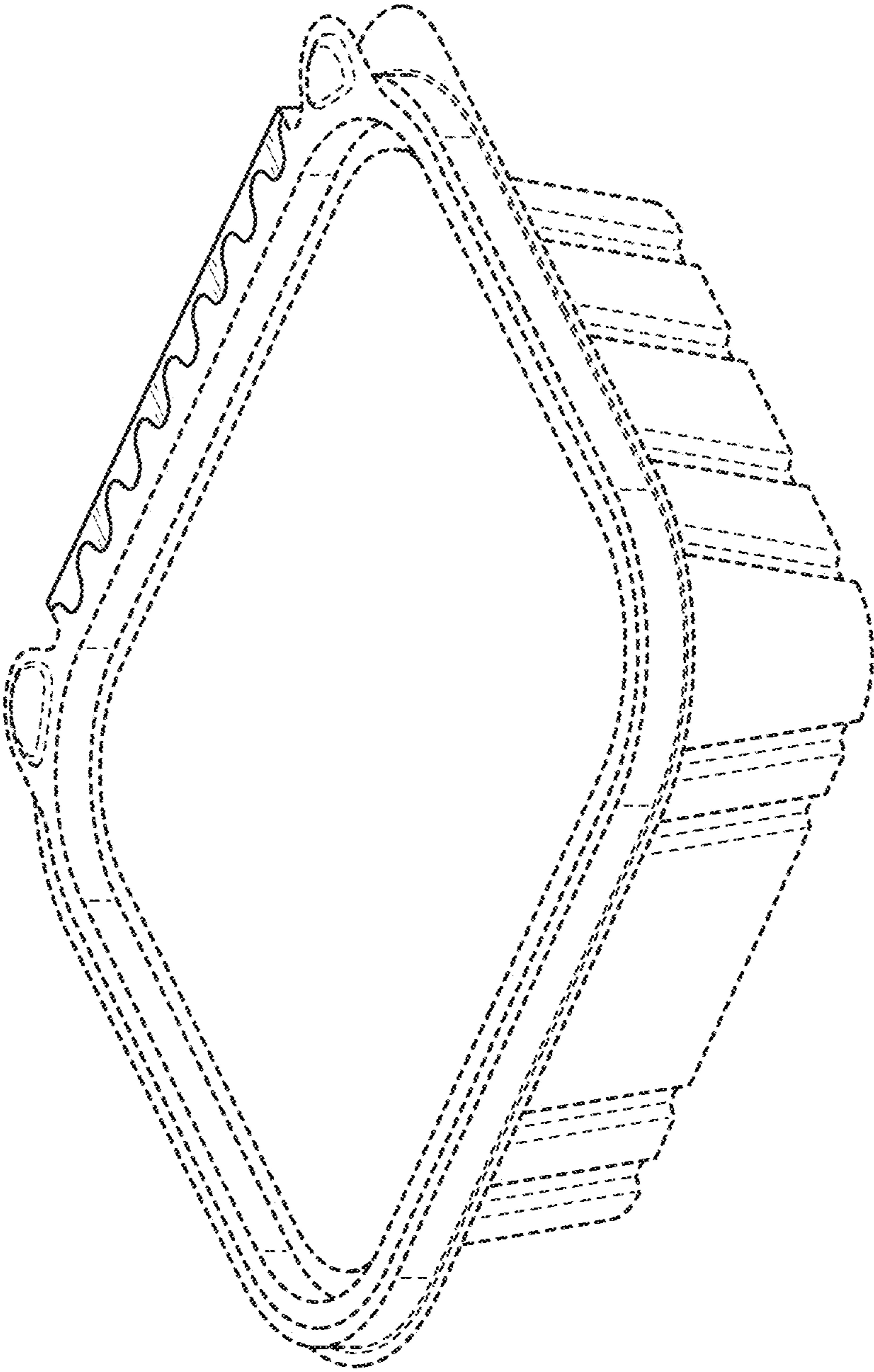


FIG. 1

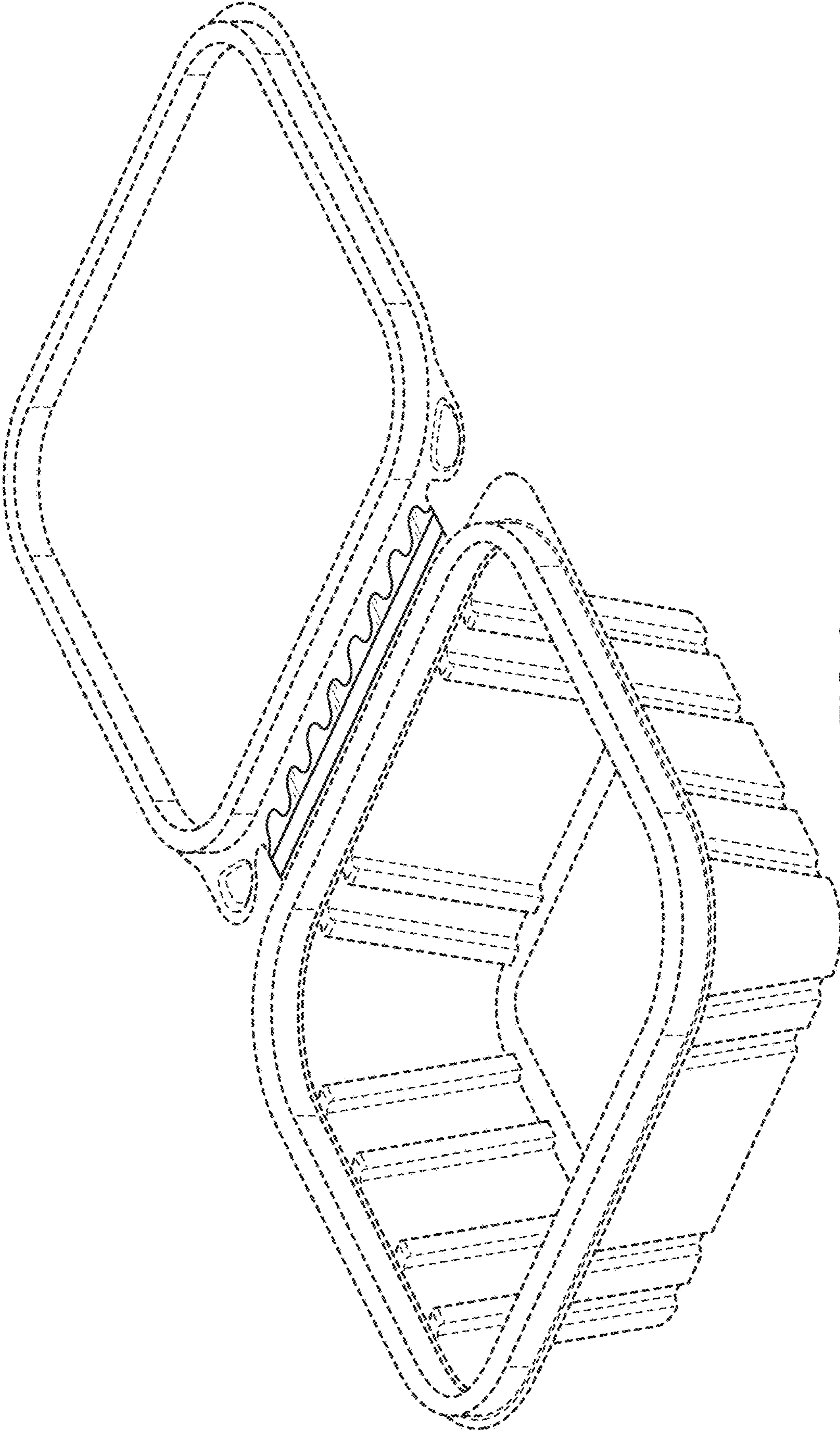


FIG. 2

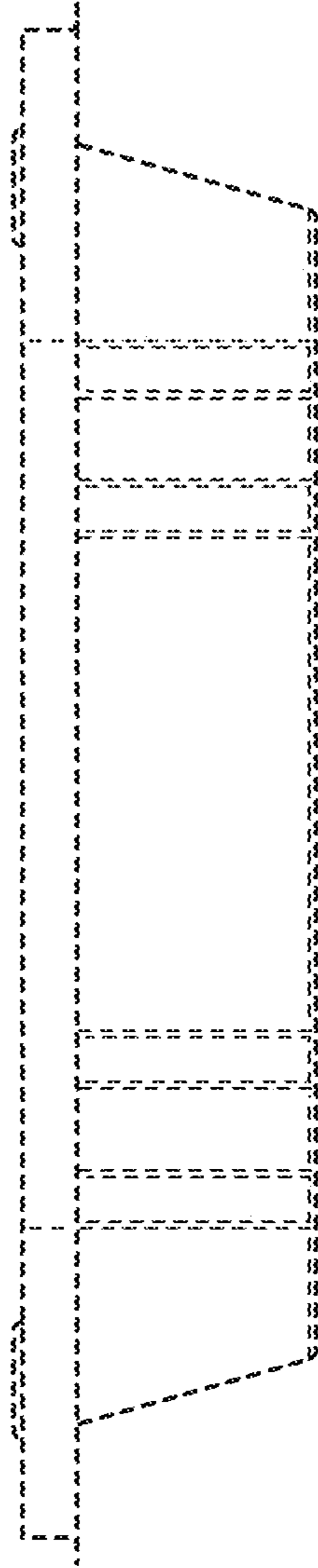


FIG. 3

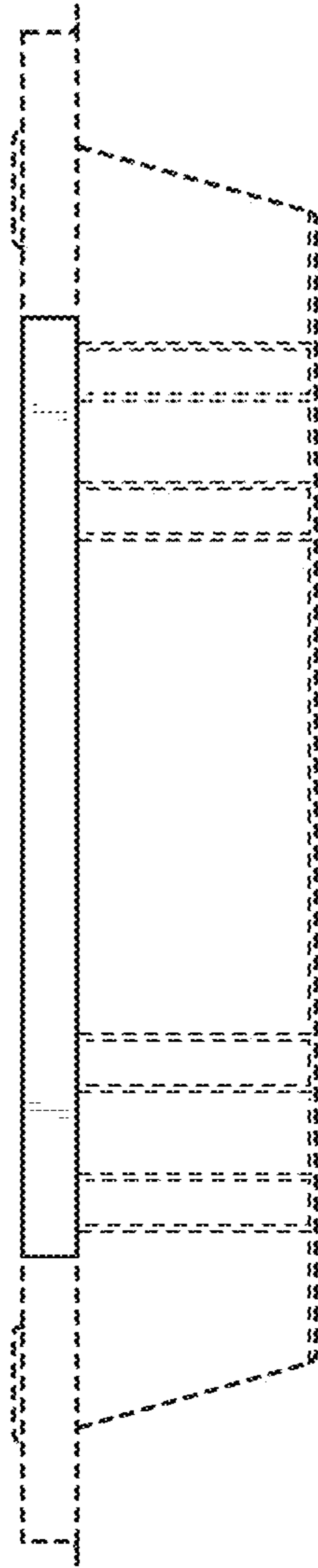


FIG. 4

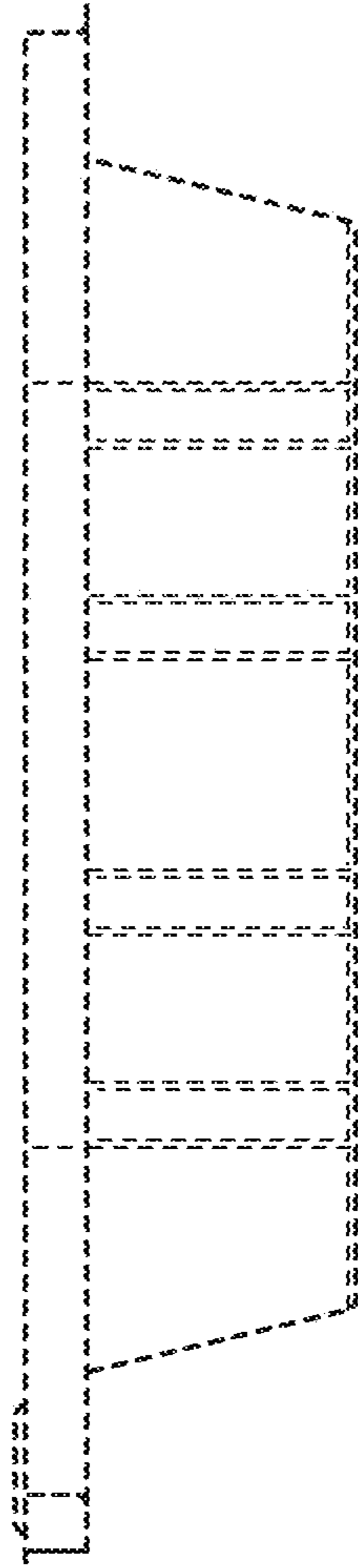


FIG. 5

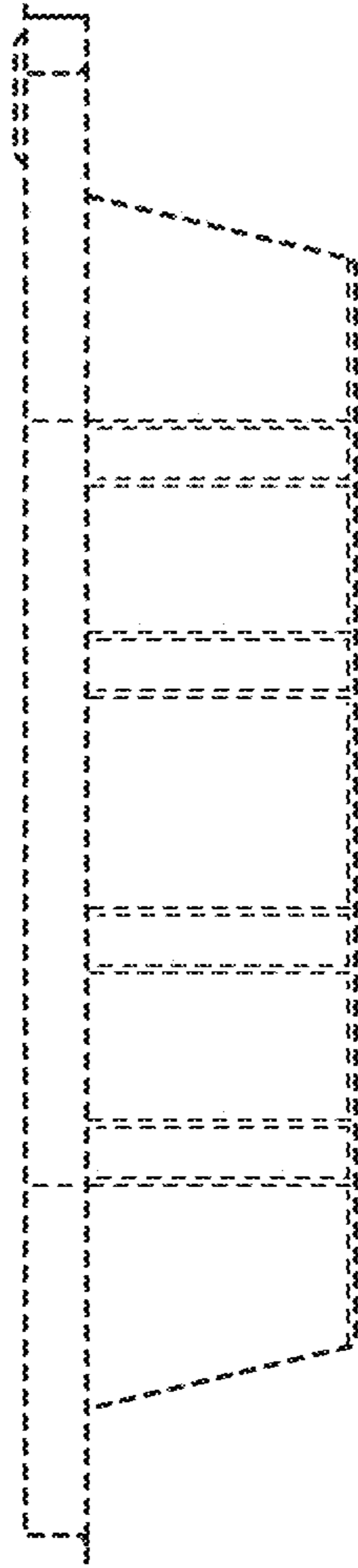


FIG. 6

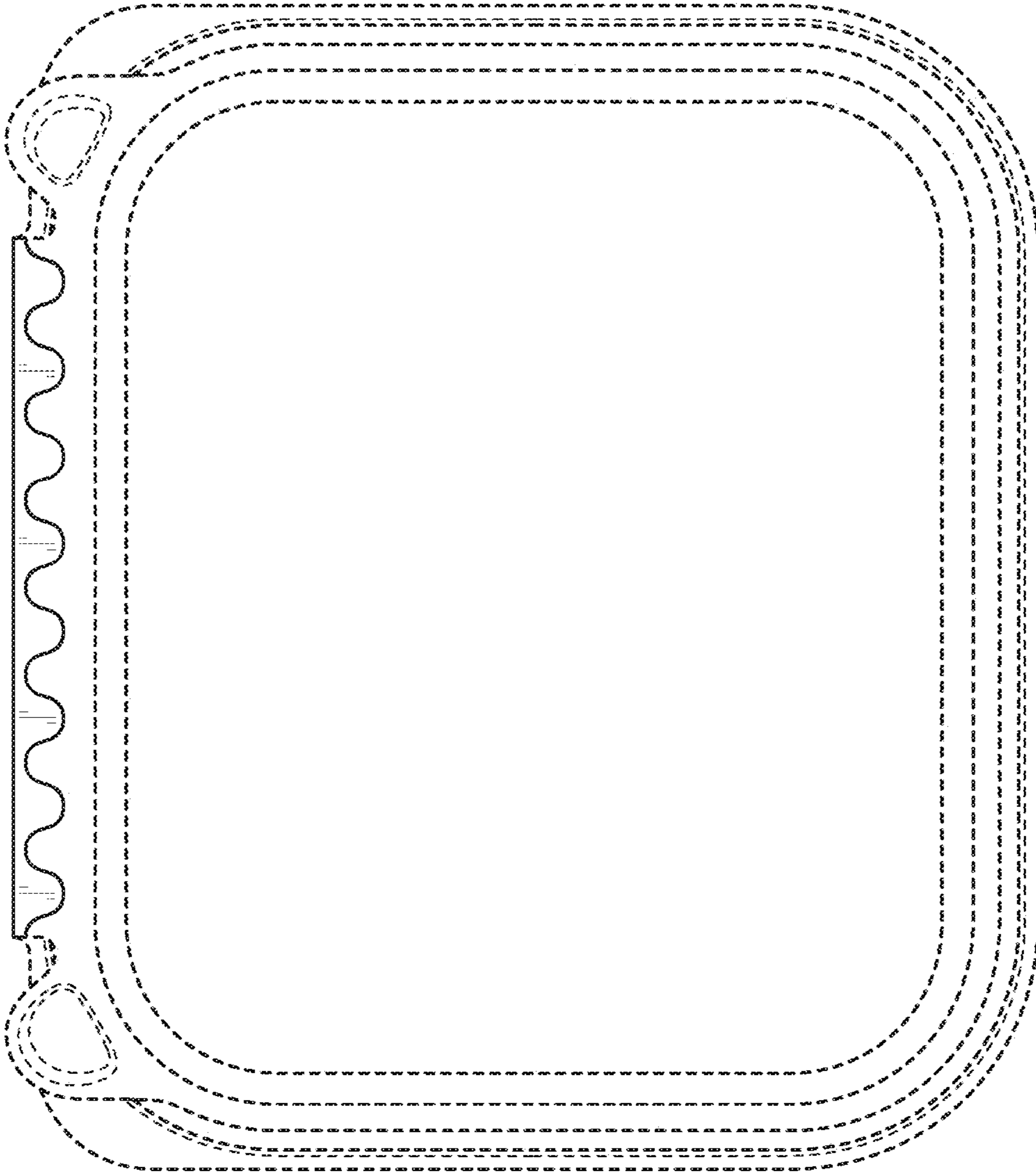


FIG. 7

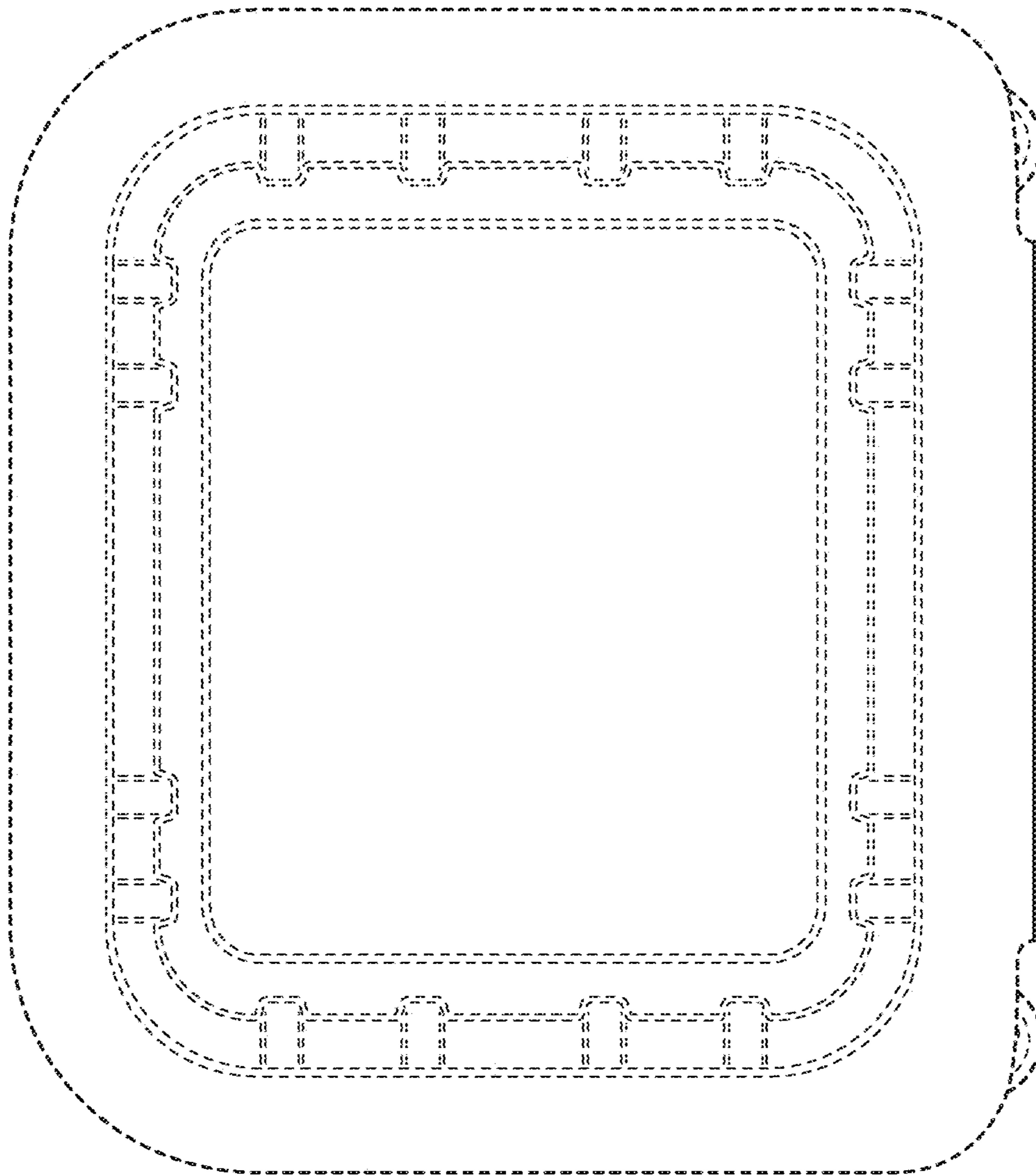


FIG. 8