



US00D920099S

(12) **United States Design Patent** (10) **Patent No.:** **US D920,099 S**
Stabile (45) **Date of Patent:** **** May 25, 2021**

(54) **CAKE AND CONE COMBINATION BOX**

(71) Applicant: **Susan Stabile**, Verona, NJ (US)

(72) Inventor: **Susan Stabile**, Verona, NJ (US)

(**) Term: **15 Years**

(21) Appl. No.: **29/727,770**

(22) Filed: **Mar. 13, 2020**

(51) **LOC (13) Cl.** **09-03**

(52) **U.S. Cl.**

USPC **D9/433**

(58) **Field of Classification Search**

USPC D9/414-423, 430-433, 434, 456, 457,
D9/711, 713, 721-722; D20/10, 22, 27,
D20/40, 42

CPC ... B65D 5/00; B65D 5/02; B65D 5/18; B65D
5/20

See application file for complete search history.

(56) **References Cited**

U.S. PATENT DOCUMENTS

D180,339 S *	5/1957	Pavelle	D9/456
5,765,690 A *	6/1998	Baxter	B65D 71/72 206/562
D513,596 S *	1/2006	Hamblin	D24/230
D515,941 S *	2/2006	Hamblin	D24/230
D515,942 S *	2/2006	Hamblin	D24/230
D738,648 S *	9/2015	Tapper	D6/672
D772,057 S *	11/2016	Adams	D9/432
D817,783 S *	5/2018	Chang	D9/756
D831,275 S *	10/2018	Maynard	D28/83
10,206,851 B1 *	2/2019	Gherdan, Jr.	B65D 75/327
D867,670 S *	11/2019	Tawil	D28/83
D871,924 S *	1/2020	Vanderwell	D9/755
2008/0277311 A1 *	11/2008	Wang	A61J 1/03 206/570

2010/0127058 A1 *	5/2010	Bates	B65D 71/004 229/117.13
2011/0163156 A1 *	7/2011	Smith	B65D 83/0463 229/125.125
2019/0177031 A1 *	6/2019	Vanderwell	B42D 5/047

OTHER PUBLICATIONS

Welcome Kit 12 capsules © Nespresso Compatible Pods. [online] Retrieved Feb. 18, 2021 from URL: <http://www.mustespresso.co.uk/shop/nespresso-compatibles/welcome-kit-12-capsules-nespresso-compatible-pods/>.*

Farielyn-X 14 Packs Cupcake Boxes, Food Grade Kraft Bakery Boxes with Inserts and Display Windows Fits 12 Cupcakes or Muffins. [online] First available Jun. 30, 2019. Retrieved from URL: <https://www.amazon.com/Farielyn-X-Cupcake-Inserts-Display-Cupcakes/dp/B07TRH781X>.*

* cited by examiner

Primary Examiner — Vy N Koenig

(74) *Attorney, Agent, or Firm* — Michael J. Feigin, Esq.; Feigin and Fridman LLC

(57) **CLAIM**

The ornamental design for a cake and cone combination box, as shown and described.

DESCRIPTION

FIG. 1 shows a top and side perspective view of a cake and cone combination box according to the present invention.

FIG. 2 shows a bottom and reverse side perspective view thereof.

FIG. 3 shows a front plan view thereof, the back plan view being a mirror image thereof.

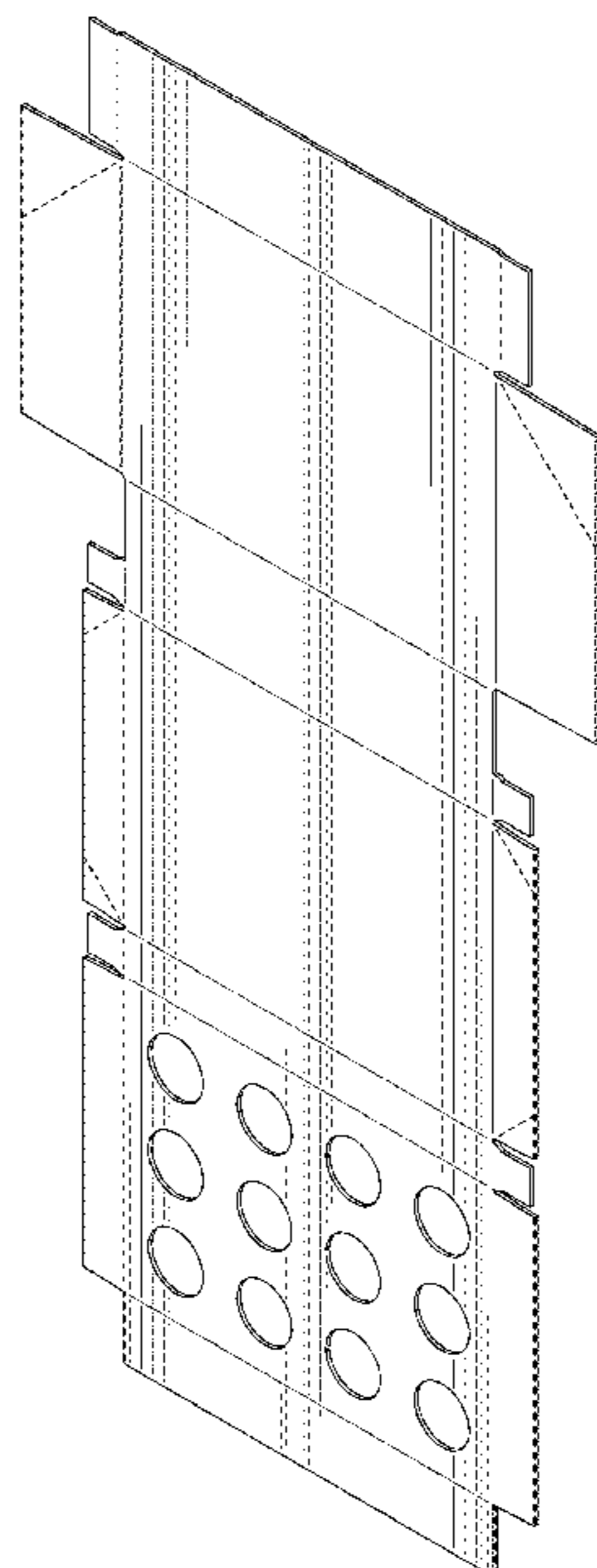
FIG. 4 shows a side view thereof.

FIG. 5 shows a top plan view thereof; and,

FIG. 6 shows a bottom plan view thereof.

The dotted lines indicate fold lines or creases and form part of the claimed design.

1 Claim, 4 Drawing Sheets



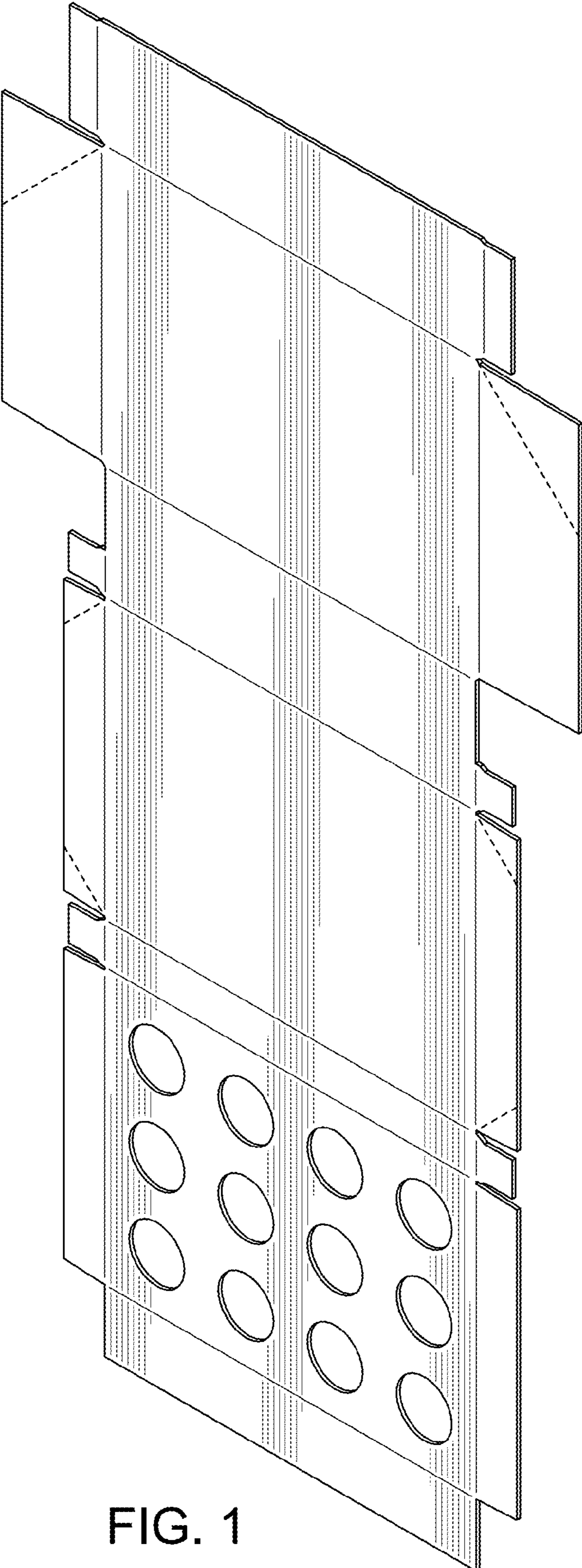


FIG. 1

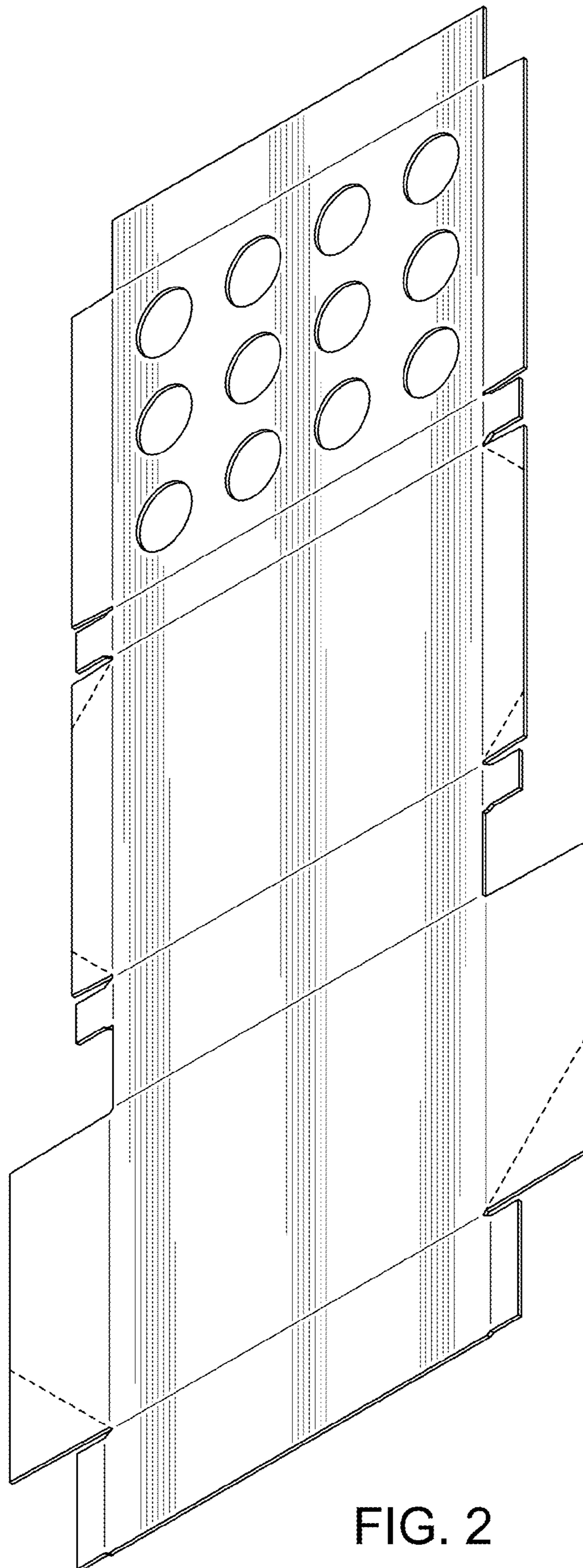


FIG. 2

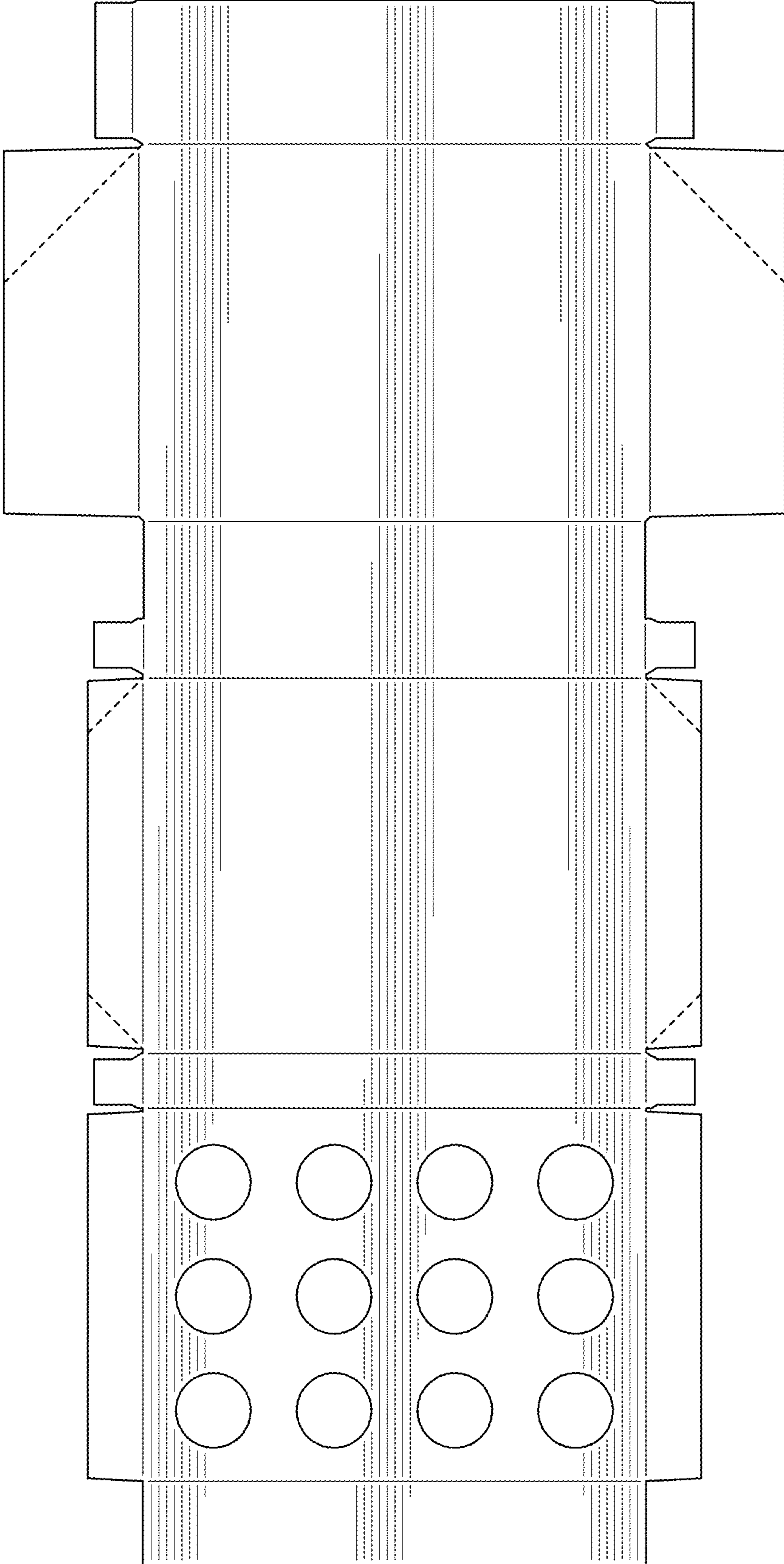


FIG. 3



FIG. 4

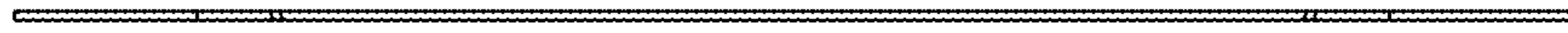


FIG. 5

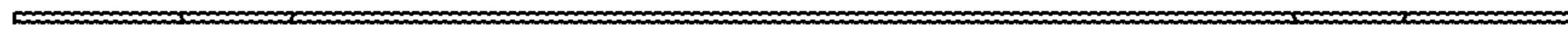


FIG. 6