



US00D920097S

(12) **United States Design Patent** (10) **Patent No.:** **US D920,097 S**
Rapparini et al. (45) **Date of Patent:** **** May 25, 2021**

(54) **CAPSULE**
(71) Applicant: **Aroma System s.r.l.**, Bologna (IT)
(72) Inventors: **Gino Rapparini**, Bologna (IT);
Maurizio Generali, Bologna (IT)
(73) Assignee: **Aroma System s.r.l.**, Bologna (IT)
(**) Term: **15 Years**

D383,646 S 9/1997 Jeppesen et al.
D438,794 S 3/2001 Miles et al.
D445,677 S 7/2001 Lindsay et al.
D452,433 S 12/2001 Lazaris
6,431,389 B1 8/2002 Jerstroem et al.
D470,050 S 2/2003 Renz et al.
D474,404 S 5/2003 Tropeano
6,648,163 B2 11/2003 Porter et al.

(Continued)

(21) Appl. No.: **29/710,184**
(22) Filed: **Oct. 21, 2019**

FOREIGN PATENT DOCUMENTS

CA 2 734 843 A1 2/2010
CA 157162 S 7/2015

(Continued)

(30) **Foreign Application Priority Data**

Apr. 25, 2019 (EM) 006384962

(51) **LOC (13) Cl.** **09-03**

(52) **U.S. Cl.**
USPC **D9/428**

(58) **Field of Classification Search**
USPC D7/400, 601, 608; D9/416, 417, 420,
D9/425-429, 430, 432, 761
CPC . B65D 1/26; B65D 1/40; B65D 5/243; B65D
81/3453; B65D 2581/34; B65D
2581/3404; B65D 2581/3456
See application file for complete search history.

OTHER PUBLICATIONS

International Search Report for International Application No. PCT/
IB2011/001278, dated Oct. 20, 2011, 2 pages.

(Continued)

Primary Examiner — Janice Patyk
(74) *Attorney, Agent, or Firm* — Brinks Gilson & Lione

(57) **CLAIM**

The ornamental design for a capsule, as shown and described.

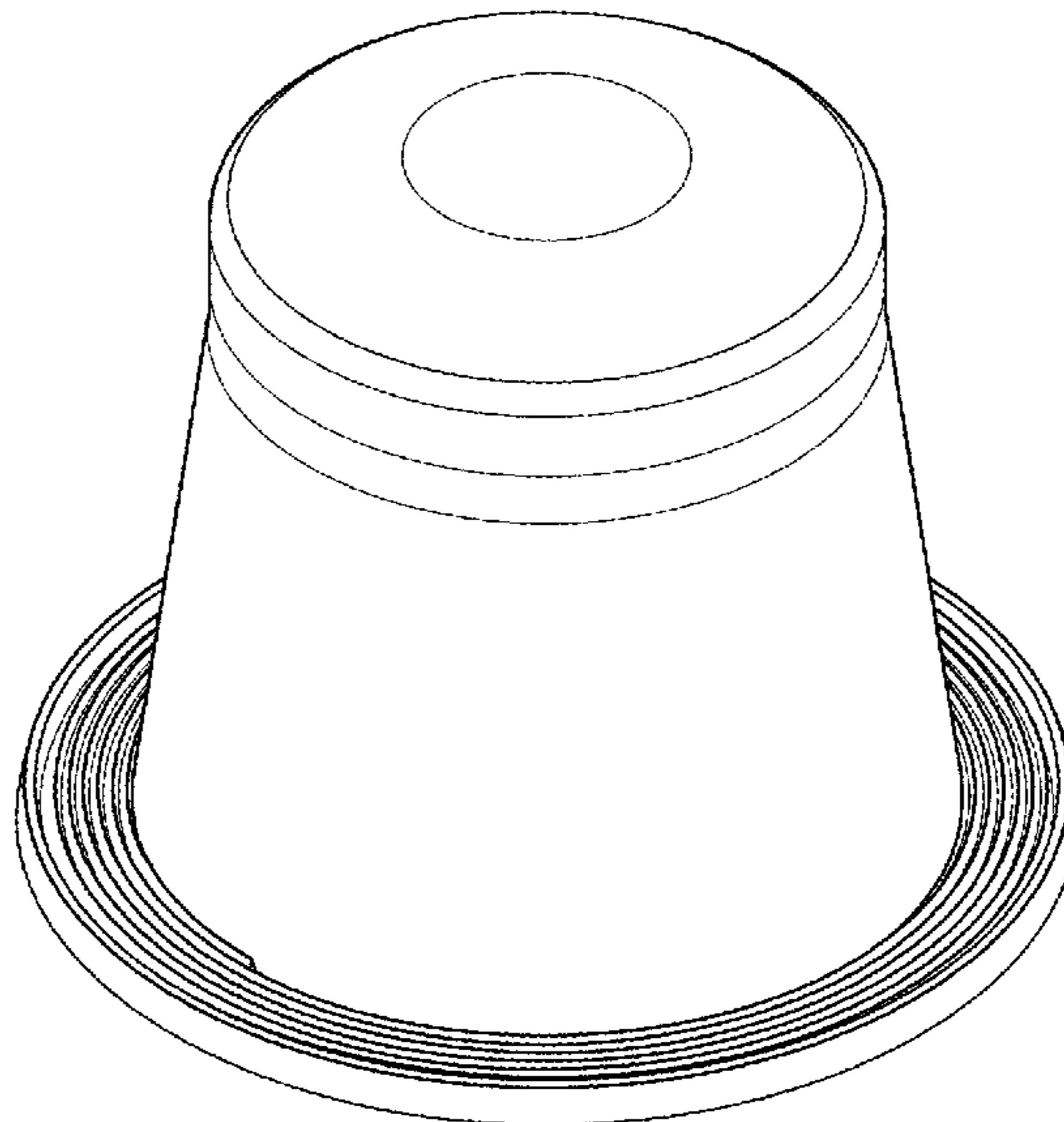
DESCRIPTION

FIG. 1 is a top perspective view of a capsule, showing our new design;
FIG. 2 is a bottom plan view thereof;
FIG. 3 is a right side elevation view thereof;
FIG. 4 is a front elevation view thereof;
FIG. 5 is a left side elevation view thereof;
FIG. 6 is a rear elevation view thereof;
FIG. 7 is a top plan view thereof; and,
FIG. 8 is a cross-sectional view thereof, taken along line 8-8 of FIG. 2.

(56) **References Cited**
U.S. PATENT DOCUMENTS

D26,364 S 12/1896 Hart
3,440,951 A 4/1969 Barrera
D233,138 S 10/1974 Vogel
D236,435 S 8/1975 Edwards
D247,548 S 3/1978 Crary
D248,269 S 6/1978 Schreckengost
D260,243 S 8/1981 Dogliotti
D286,508 S 11/1986 Tilden
D288,063 S 2/1987 Tyler
D306,974 S 4/1990 Tholstrup
D312,400 S 11/1990 Schwaikert

1 Claim, 4 Drawing Sheets



(56)

References Cited

U.S. PATENT DOCUMENTS

D502,362 S 3/2005 Lazaris et al.
 D515,353 S 2/2006 Martin
 D560,095 S 1/2008 Bodum
 D561,528 S 2/2008 Bodum
 7,444,925 B2 11/2008 Mahlich
 D587,995 S 3/2009 Studee
 D605,502 S 12/2009 Honda et al.
 D606,363 S 12/2009 Aardenburg
 D606,404 S 12/2009 Diss
 D612,732 S 3/2010 Takata et al.
 D627,636 S 11/2010 Fang
 D628,883 S 12/2010 Stephens
 D637,484 S 5/2011 Winkler
 D644,924 S 9/2011 Lin
 D647,397 S 10/2011 Inaba
 D651,865 S 1/2012 Smyers
 D652,266 S 1/2012 Smyers
 D668,538 S 10/2012 Knutson et al.
 D682,675 S 5/2013 Rapparini
 D684,459 S 6/2013 Stowe et al.
 D685,263 S 7/2013 Danenberg
 D685,631 S 7/2013 Rapparini
 D688,945 S 9/2013 Kim
 D692,759 S 11/2013 Rapparini
 D692,760 S 11/2013 Rapparini
 D695,615 S 12/2013 Rapparini
 D696,113 S 12/2013 Stein
 D697,801 S 1/2014 Rapparini
 D703,039 S 4/2014 Hansen
 D705,064 S 5/2014 Sy
 D709,369 S 7/2014 van de Klippe et al.
 D709,765 S 7/2014 Hager
 D711,227 S 8/2014 Sheikh
 D713,245 S 9/2014 Taylor et al.
 D726,006 S 4/2015 Rapparini
 D727,141 S 4/2015 Mastropasqua et al.
 D730,734 S 6/2015 Rapparini
 D732,390 S 6/2015 Trombetta
 9,072,402 B2 7/2015 Ryser
 D736,614 S 8/2015 Rapparini
 D743,252 S 11/2015 Hansen et al.
 D745,824 S 12/2015 Ritter et al.
 D746,641 S 1/2016 Panone et al.
 D747,139 S 1/2016 Rondelli
 D749,411 S 2/2016 Corsetti

D750,481 S 3/2016 Rapparini
 D750,482 S 3/2016 Rapparini
 D751,385 S 3/2016 Rapparini
 9,382,063 B2 7/2016 Van Belleghem et al.
 9,387,979 B2 7/2016 Rapparini
 D766,078 S 9/2016 Hansen
 D766,080 S 9/2016 Lebon
 D786,667 S 5/2017 Kim
 9,743,804 B2 8/2017 Van Belleghem et al.
 D796,898 S 9/2017 Robotti
 D797,503 S 9/2017 Robotti
 9,756,976 B2 9/2017 Van Belleghem et al.
 D801,807 S 11/2017 Rapparini
 9,888,806 B2 2/2018 Van Belleghem et al.
 D815,925 S 4/2018 Rapparini et al.
 D822,430 S 7/2018 Hansen et al.
 D838,473 S * 1/2019 Stevens D3/202
 D884,475 S * 5/2020 Rapparini D9/500
 D889,907 S * 7/2020 Braukmann D7/400
 2007/0148290 A1 6/2007 Ternite et al.
 2009/0178313 A1 7/2009 McManigal
 2010/0239733 A1 * 9/2010 Yoakim B65D 85/8043
 426/431
 2011/0111098 A1 5/2011 Ricotti
 2011/0189350 A1 8/2011 Van Belleghem et al.
 2013/0158637 A1 6/2013 Sheikh
 2013/0251861 A1 * 9/2013 Scapuccin B65D 85/8043
 426/115
 2015/0191302 A1 7/2015 Gerbaulet et al.
 2015/0274412 A1 * 10/2015 Bisio B65D 85/8046
 426/115
 2016/0114967 A1 4/2016 Van Belleghem et al.
 2016/0362246 A1 * 12/2016 Garcin A47J 31/407
 2017/0135517 A1 5/2017 Van Belleghem et al.

FOREIGN PATENT DOCUMENTS

CA 169051 S 7/2016
 EP 0 524 464 A1 1/1993
 EP 1 792 850 A1 6/2007
 FR 1 543 608 10/1968

OTHER PUBLICATIONS

International Search Report for International Application No. PCT/IB2011/001273, dated Oct. 21, 2011, 2 pages.

* cited by examiner

FIG. 1

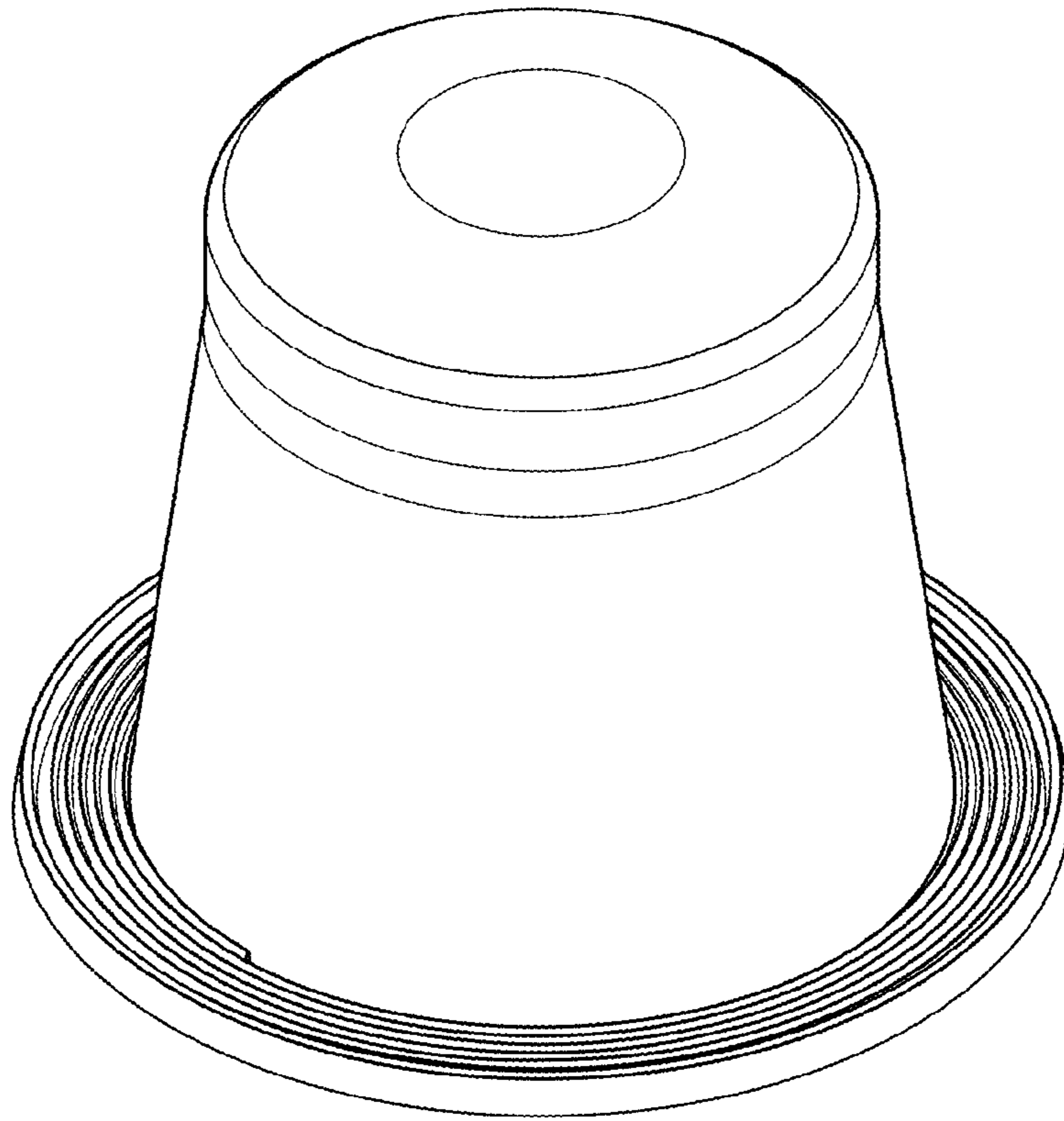


FIG. 2

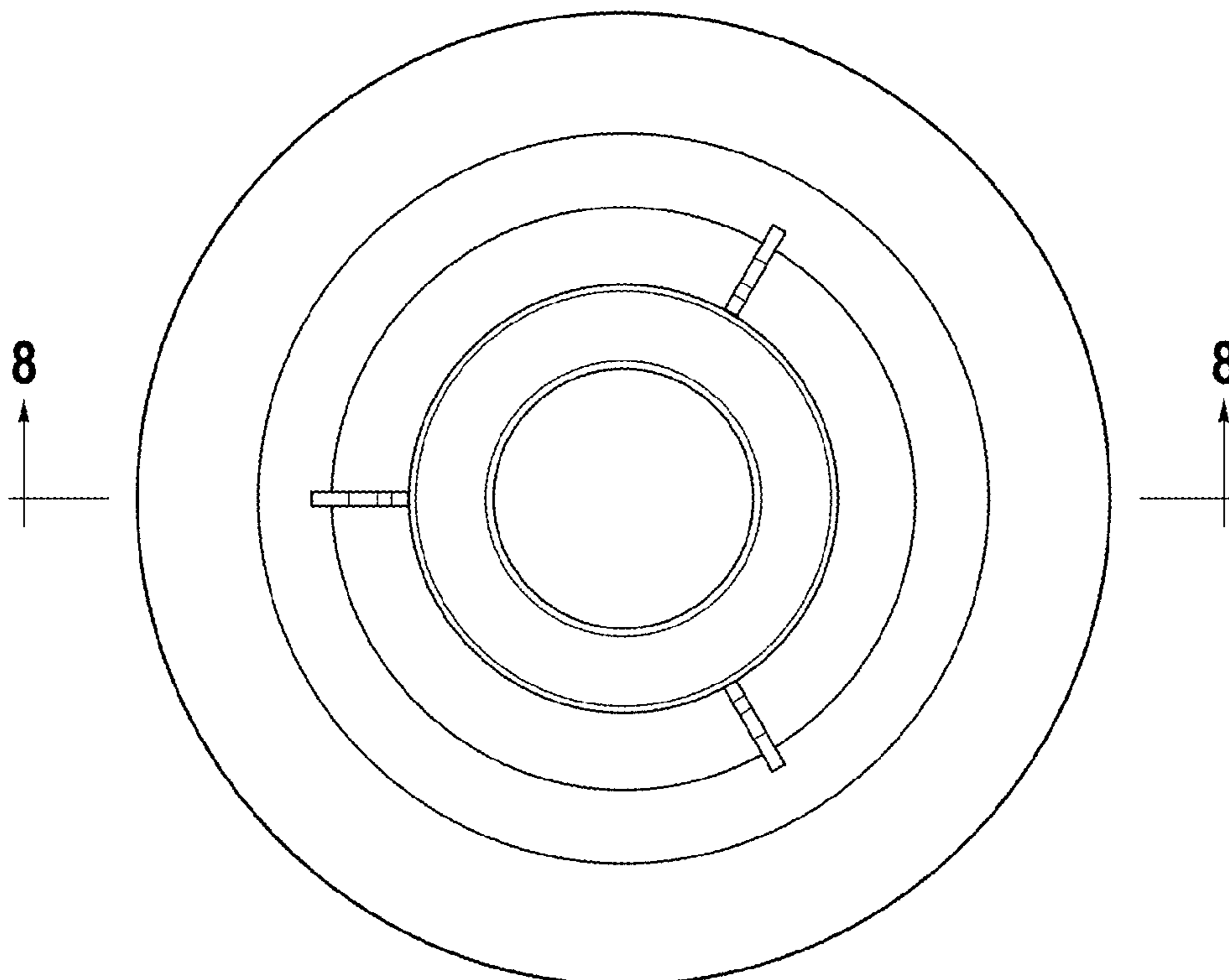


FIG. 3

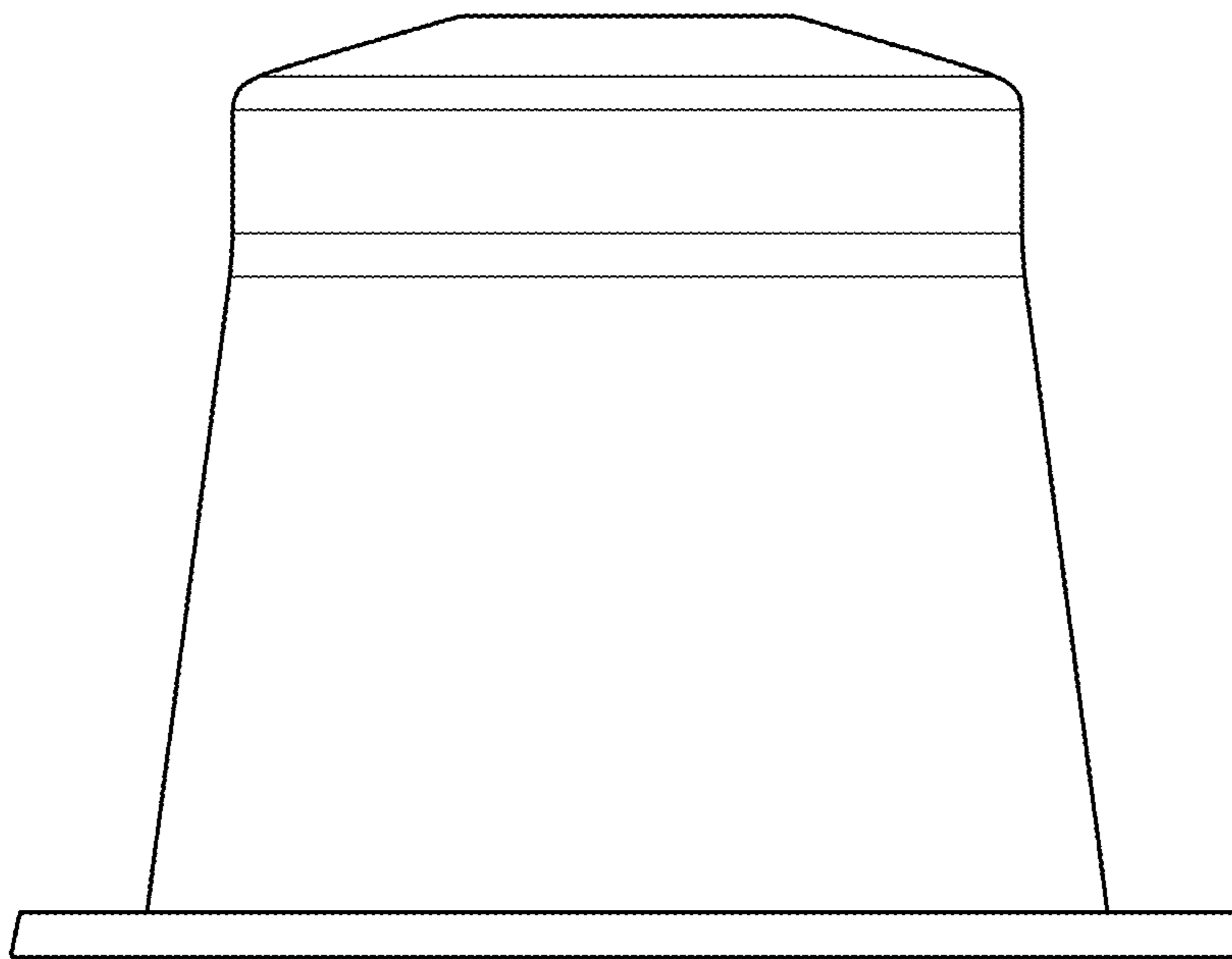


FIG. 4

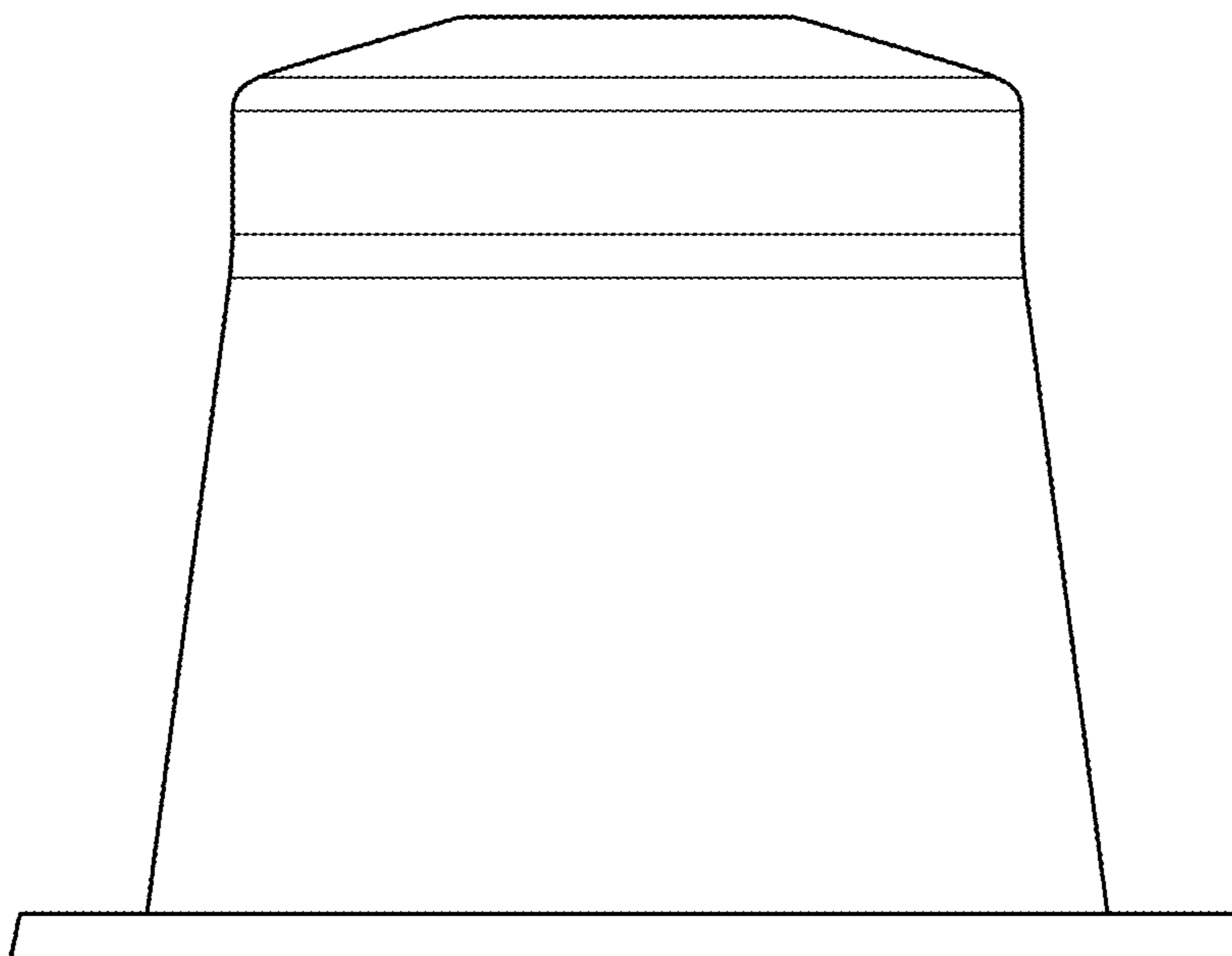


FIG. 5

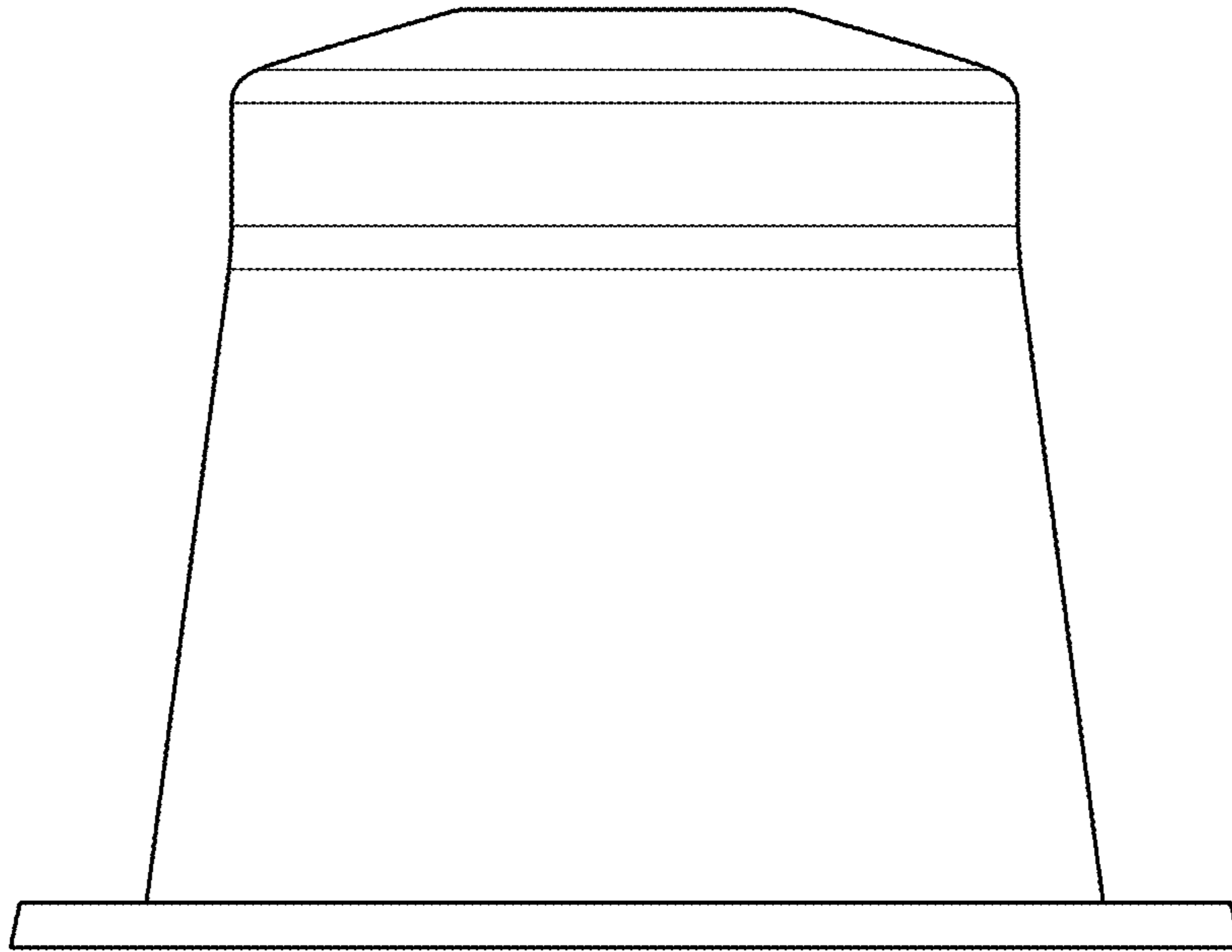


FIG. 6

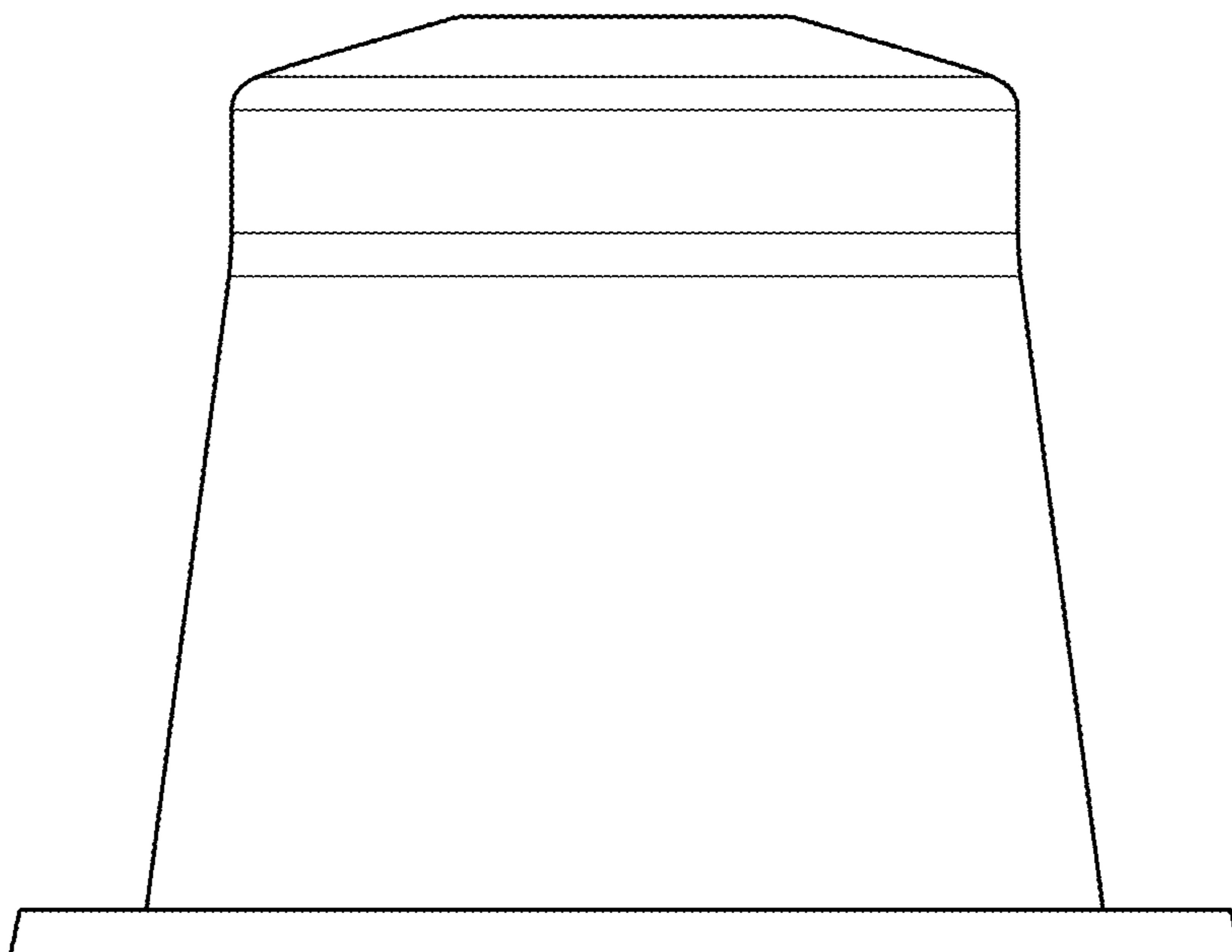


FIG. 7

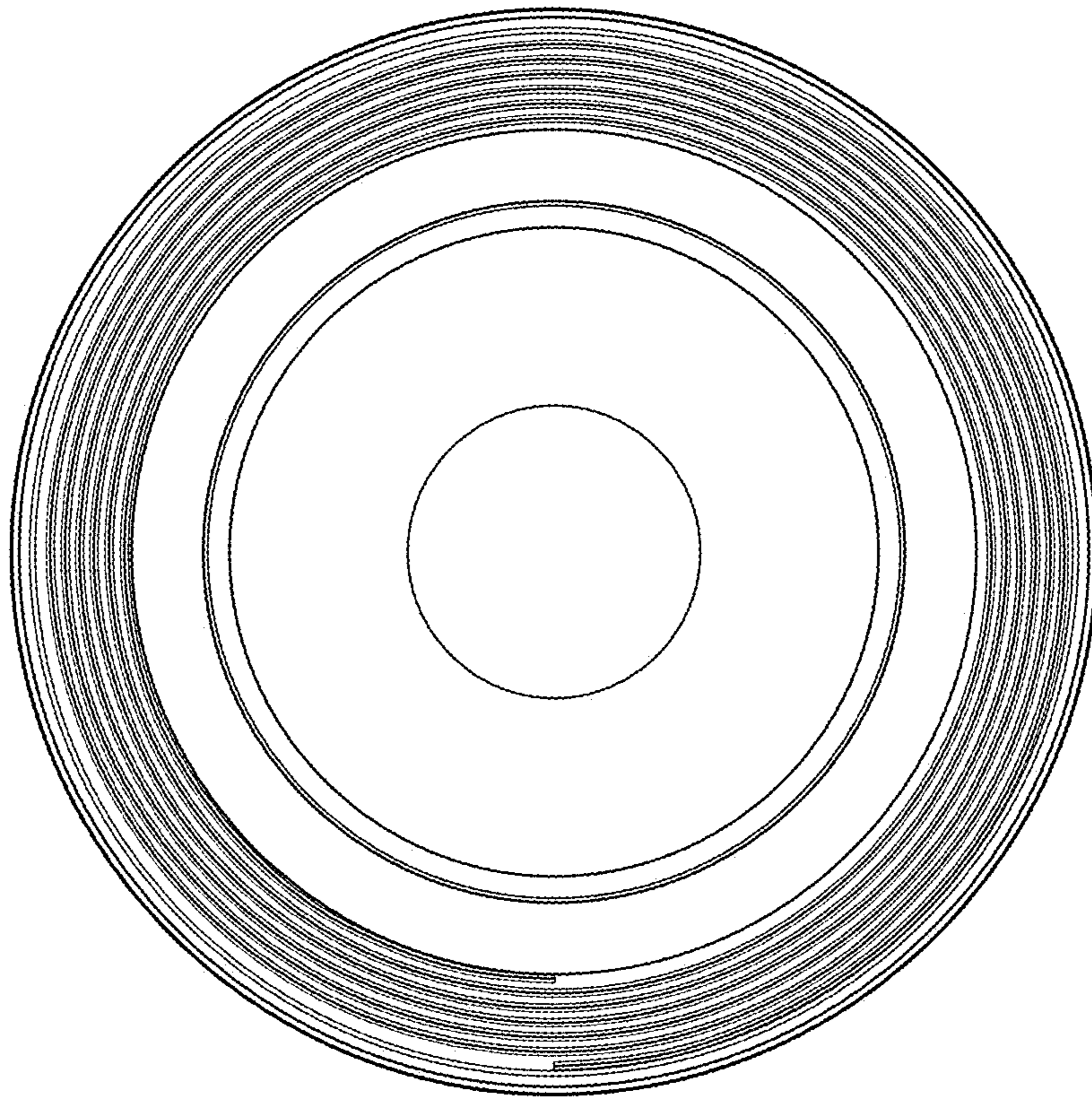


FIG. 8

