



US00D920095S

(12) **United States Design Patent**
Santo Domingo

(10) **Patent No.:** **US D920,095 S**

(45) **Date of Patent:** **** May 25, 2021**

- (54) **TASSELED BOX BAG**
- (71) Applicant: **TOCAMADERA, LLC**, Los Angeles, CA (US)
- (72) Inventor: **Carolina Santo Domingo**, Los Angeles, CA (US)
- (73) Assignee: **Tocamadera, LLC**, Los Angeles, CA (US)
- (**) Term: **15 Years**
- (21) Appl. No.: **29/679,669**
- (22) Filed: **Feb. 8, 2019**
- (51) **LOC (13) Cl.** **03-01**
- (52) **U.S. Cl.**
USPC **D9/419**; D3/240
- (58) **Field of Classification Search**
USPC D9/414–418, 504, 670, 706, 704;
D3/215, 20, 242, 229, 244, 318, 232;
D11/97, 121; D7/607; D28/83, 77;
D8/356; D99/8
CPC A45C 1/04; A45C 3/06; B65D 88/1681
See application file for complete search history.

D175,544 S *	9/1955	Hardy	D3/242
2,796,105 A *	6/1957	Hyman	A45C 3/06
				150/119
D276,214 S *	11/1984	Fry	D28/77
D283,990 S *	5/1986	Davidson	D11/97
D342,156 S *	12/1993	Turner	D28/83
D365,204 S *	12/1995	Chen	D3/215
D379,117 S *	5/1997	Ortiz	D3/20
5,845,994 A *	12/1998	Rice	A45C 1/04
				383/76
D542,151 S *	5/2007	Sutton	D9/670
D597,824 S *	8/2009	Wang	D8/356
D617,552 S *	6/2010	Martin, Jr.	D3/229
D619,423 S *	7/2010	Koehler	D7/607
D678,815 S *	3/2013	Hernandez	D11/121
D716,052 S *	10/2014	Sappenfield-Chan	D3/318
D798,048 S *	9/2017	Nair	D3/242
D815,518 S *	4/2018	Safdie	D9/504
D834,811 S *	12/2018	Nair	D3/232
D834,812 S *	12/2018	Nair	D3/232
D902,523 S *	11/2020	Plaisted	D99/8

* cited by examiner

Primary Examiner — Rhea Shields

(74) *Attorney, Agent, or Firm* — Stetina Brunda Garred & Brucker

(57) **CLAIM**

The ornamental design for a tasseled box bag, as shown and described.

(56) **References Cited**

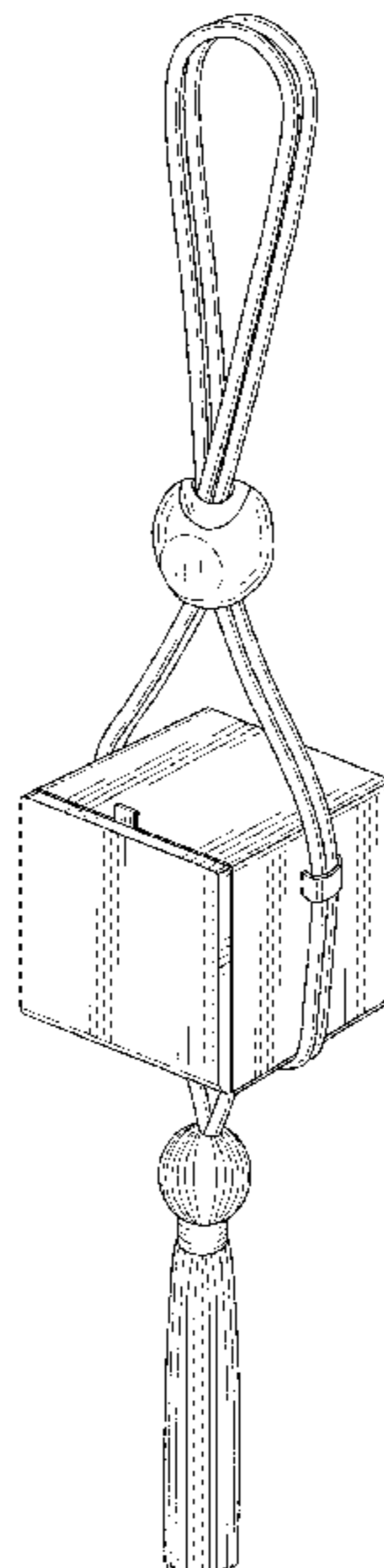
U.S. PATENT DOCUMENTS

1,240,060 A *	9/1917	Kulick	B65D 88/1681
				383/17
1,362,884 A *	12/1920	Matsusaki	A45C 3/06
				383/34
1,401,426 A *	12/1921	Metternich	A45C 3/06
				150/112
1,416,690 A *	5/1922	Cohen	A45C 3/06
				150/110
1,617,855 A *	2/1927	Lewis	A45C 3/06
				150/106
D157,702 S *	3/1950	Reilly	D28/77
D165,585 S *	1/1952	Kadison	D3/244

DESCRIPTION

FIG. 1 is a top, front perspective view of the tasseled box bag of the present invention showing my new design;
FIG. 2 is a top plan view thereof;
FIG. 3 is a front elevational view thereof;
FIG. 4 is a bottom plan view thereof;
FIG. 5 is a right-side elevational view thereof;
FIG. 6 is a left-side elevational view thereof; and,
FIG. 7 is a rear elevational view thereof.

1 Claim, 3 Drawing Sheets



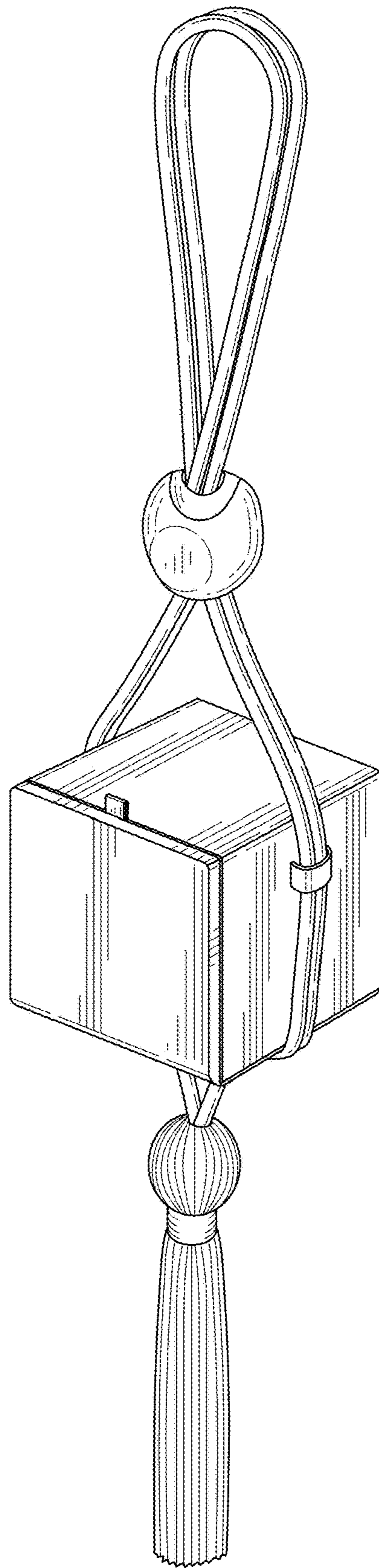


FIG. 1

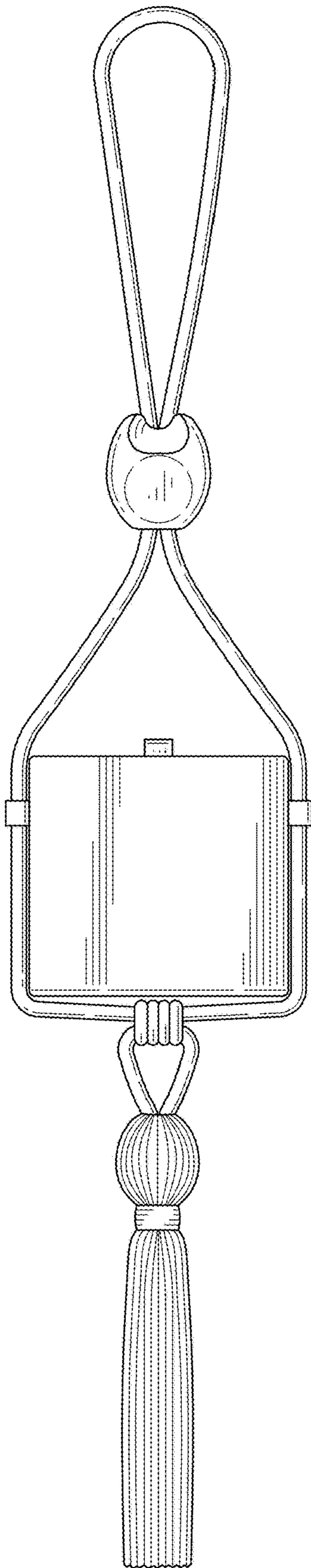


FIG. 3

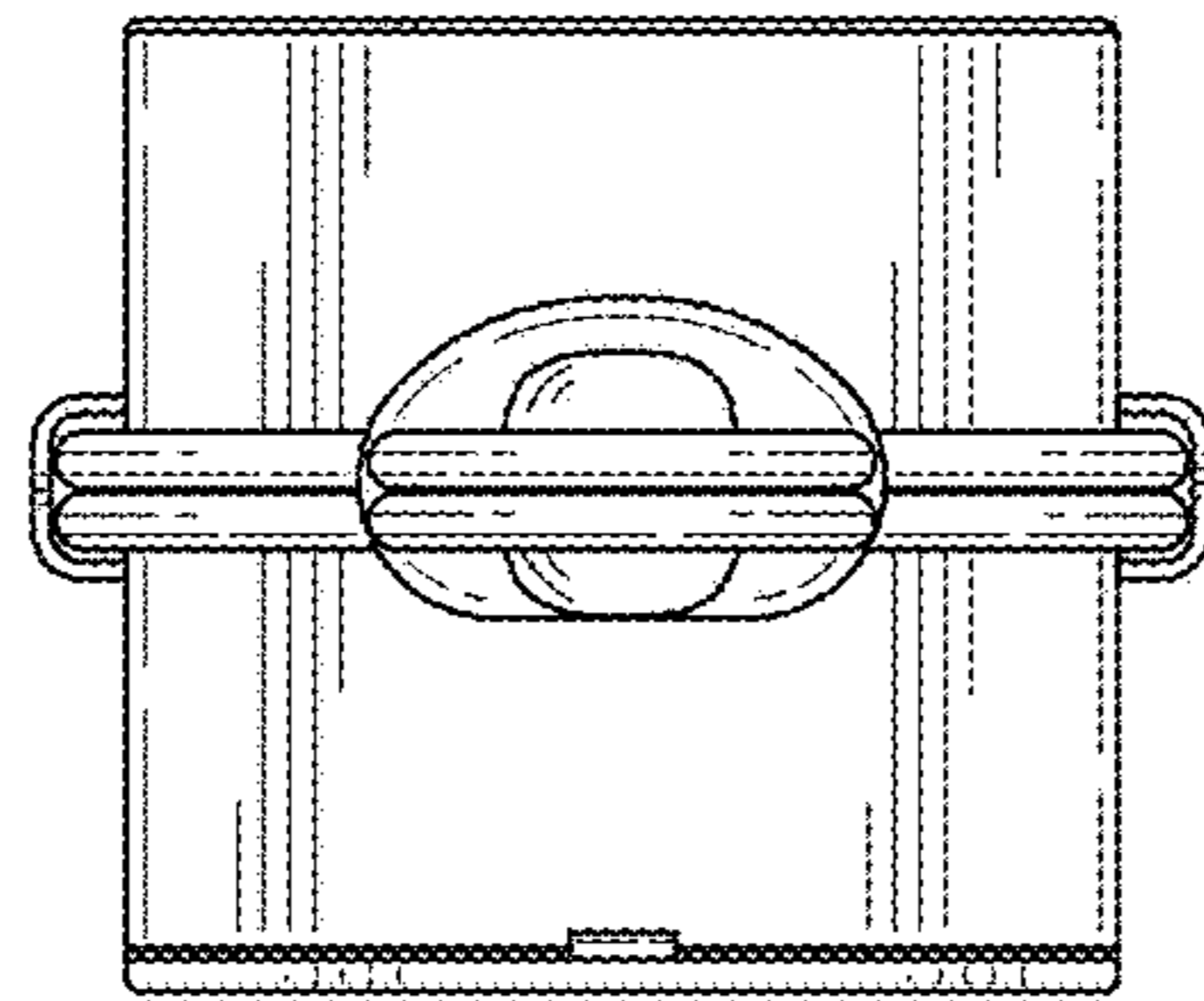


FIG. 2

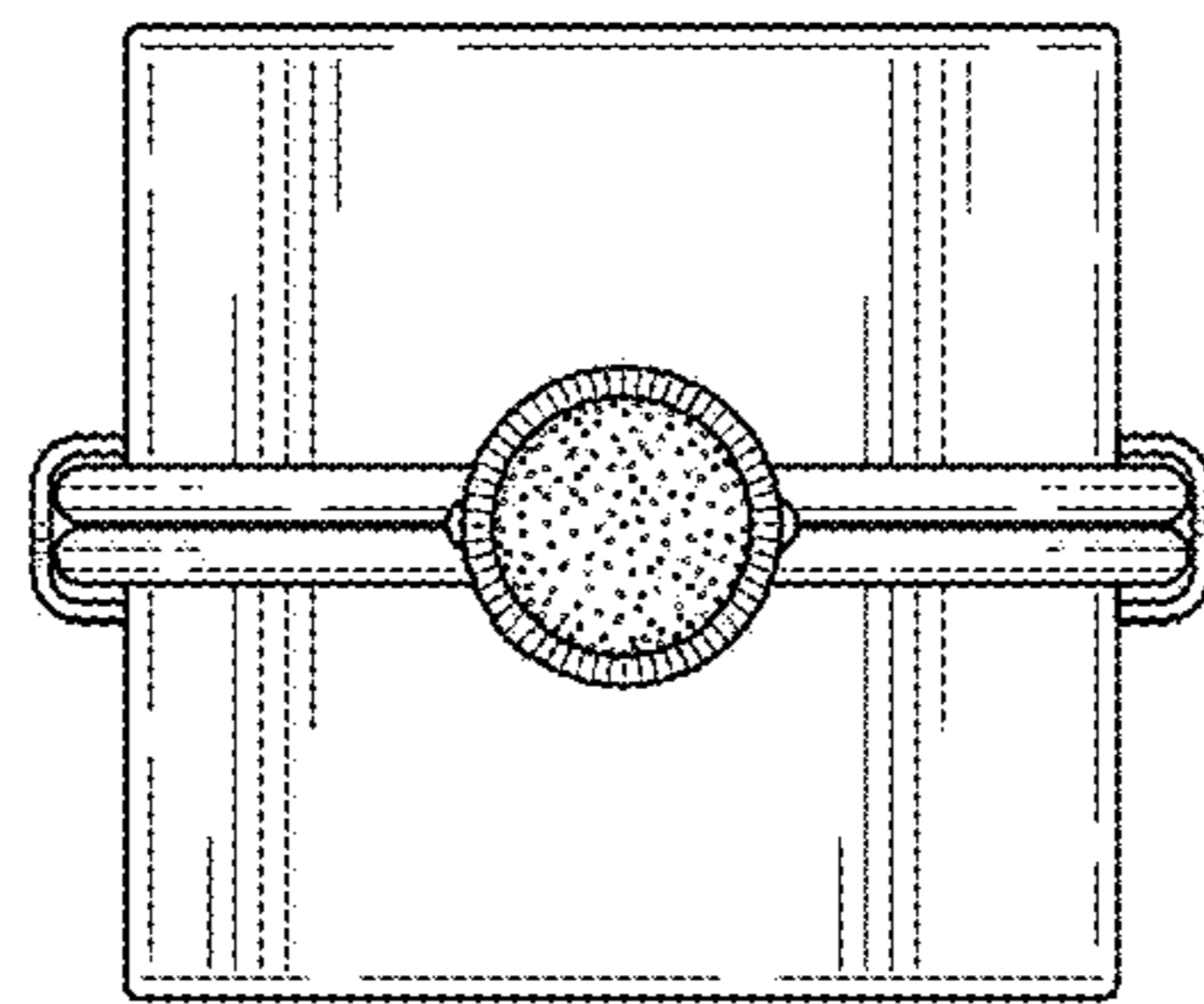


FIG. 4

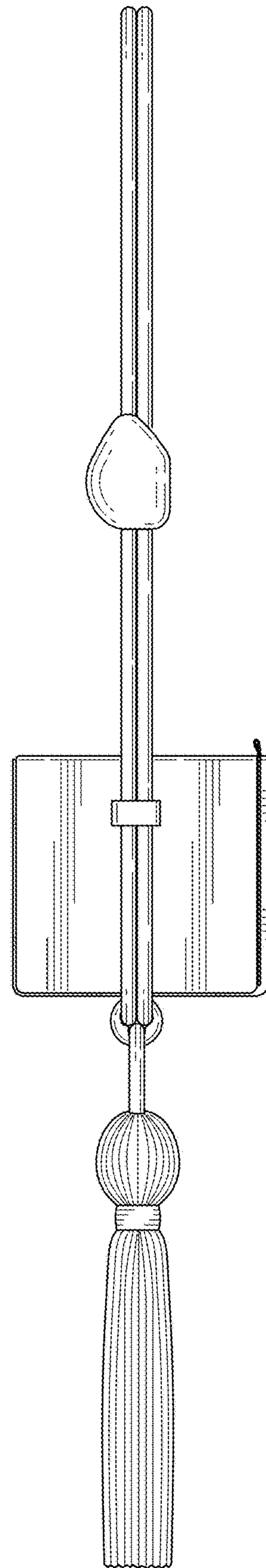


FIG. 5

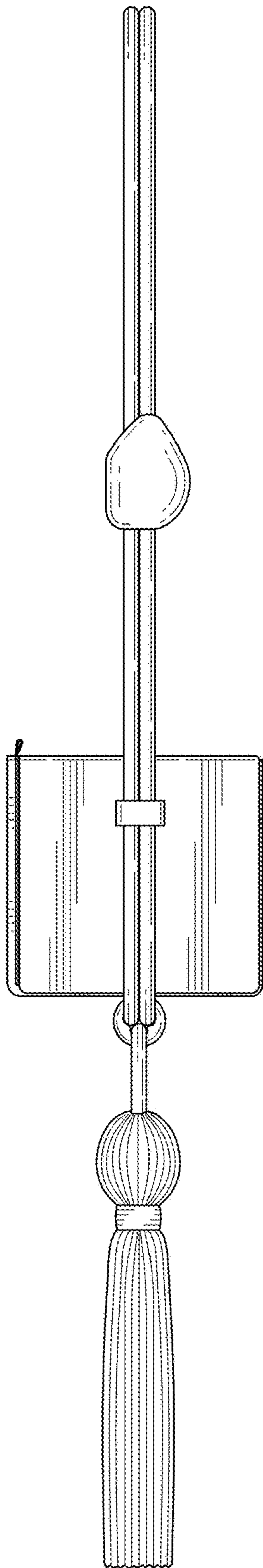


FIG. 6

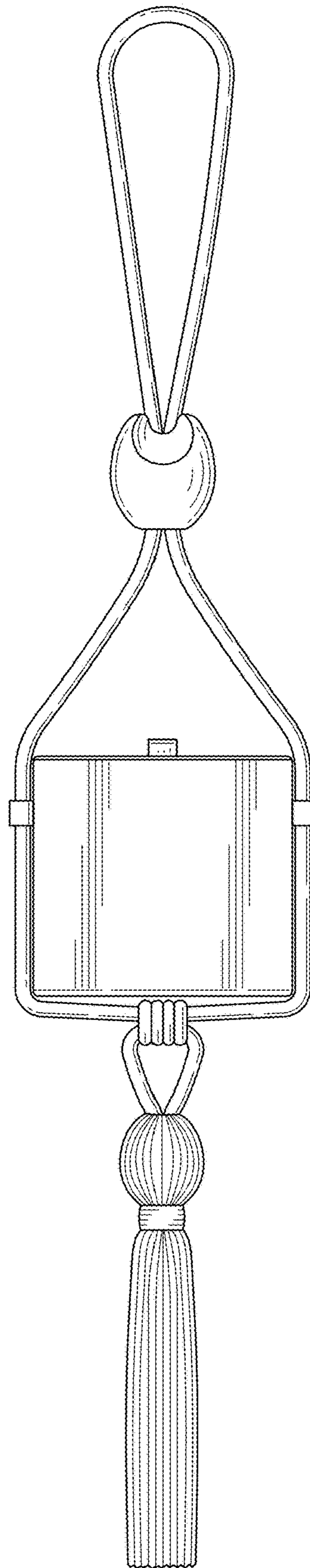


FIG. 7