



US00D920094S

(12) **United States Design Patent** (10) **Patent No.:** **US D920,094 S**
Purkey et al. (45) **Date of Patent:** **** May 25, 2021**

(54) **FOOD PACKAGE**
(71) Applicant: **Sargento Foods Inc.**, Plymouth, WI (US)
(72) Inventors: **Todd Purkey**, Elkhart Lake, WI (US); **Ryan Hartman**, Chippewa Falls, WI (US); **Jeff Karp**, Elkhart Lake, WI (US)
(73) Assignee: **Sargento Foods Inc.**, Plymouth, WI (US)
(**) Term: **15 Years**
(21) Appl. No.: **29/660,927**
(22) Filed: **Aug. 23, 2018**
(51) **LOC (13) Cl.** **09-03**
(52) **U.S. Cl.**
USPC **D9/416**
(58) **Field of Classification Search**
USPC D9/414-420, 424, 430, 447, 425;
D24/113, 117; D7/628, 629, 538, 359,
D7/610; D30/108; D4/137; D6/552
CPC B65D 43/162; B65D 1/34; B65D 51/246;
B65D 43/0212
See application file for complete search history.

D265,760 S * 8/1982 Lahay D24/117
4,373,636 A * 2/1983 Hoffman B65D 1/34
206/545
4,472,896 A 9/1984 Brauner et al.
4,592,914 A 6/1986 Kuchenbecker
4,662,188 A 5/1987 Hulihan
4,811,846 A * 3/1989 Bottega B65D 1/34
206/542

(Continued)

OTHER PUBLICATIONS

Harpak-ULMA Packaging; Photograph of cheese snack packaging seen at the International Cheese Tech Expo; Apr. 17-19, 2018; Milwaukee, WI.

Primary Examiner — Rhea Shields
(74) *Attorney, Agent, or Firm* — Boyle Fredrickson, SC

(57) **CLAIM**

We claim the ornamental design for a food package, as shown and described.

DESCRIPTION

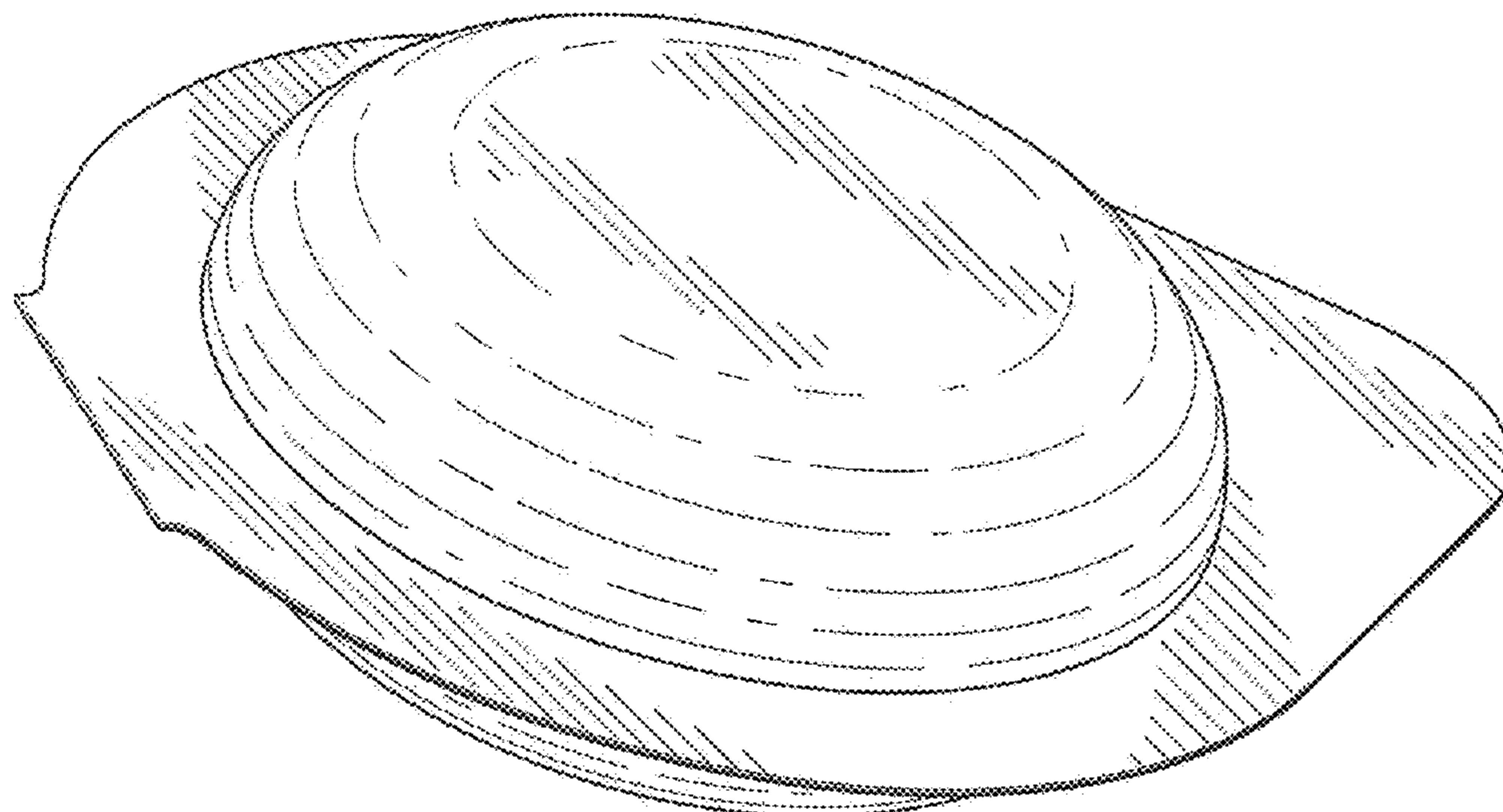
FIG. 1 is a top perspective view of a first embodiment of the food package;
FIG. 2 is a left side view thereof;
FIG. 3 is a right side view thereof;
FIG. 4 is a front view thereof;
FIG. 5 is a rear view thereof;
FIG. 6 is a top view thereof; and
FIG. 7 is a bottom view thereof;
FIG. 8 is a top perspective view of a second embodiment of the food package;
FIG. 9 is a left side view thereof;
FIG. 10 is a right side view thereof;
FIG. 11 is a front view thereof;
FIG. 12 is a rear view thereof;
FIG. 13 is a top view thereof; and
FIG. 14 is a bottom view thereof.

1 Claim, 8 Drawing Sheets

(56) **References Cited**

U.S. PATENT DOCUMENTS

2,789,608 A * 4/1957 Tupper B65D 51/246
220/792
3,016,129 A 11/1957 King, III
3,556,337 A 1/1971 Harmon et al.
D220,752 S * 5/1971 Artz D9/425
3,620,403 A * 11/1971 Rump B65D 43/0212
220/4.24
3,620,411 A * 11/1971 Rump B65D 43/162
220/315
4,226,358 A 10/1980 Ottow
4,232,816 A 11/1980 Johnson et al.
4,241,863 A 12/1980 Faller



(56)

References Cited

U.S. PATENT DOCUMENTS

4,915,251 A 4/1990 Payne
 4,934,586 A 6/1990 Kadien
 4,955,527 A 9/1990 Blackman et al.
 5,012,971 A 5/1991 Cozzi et al.
 5,131,551 A 7/1992 Wells
 5,213,256 A 5/1993 Cyr
 D338,620 S * 8/1993 Brozowski D9/418
 5,269,430 A * 12/1993 Schlaupitz B65D 43/162
 206/551
 5,300,748 A 4/1994 Colombo
 5,312,634 A 5/1994 Griesbach et al.
 D349,050 S * 7/1994 Krupa D9/418
 5,332,147 A 7/1994 Sorenson
 5,462,192 A 10/1995 Pomroy et al.
 5,503,858 A 4/1996 Reskow
 D373,311 S * 9/1996 Hotz D9/447
 D391,808 S * 3/1998 Voege D7/538
 D392,883 S * 3/1998 Ferrin D7/610
 5,816,485 A 10/1998 Bernstein
 5,860,549 A 1/1999 Allers et al.
 5,897,011 A 4/1999 Brilliant et al.
 5,950,854 A 9/1999 Rider, Jr. et al.
 D416,484 S * 11/1999 Voden D6/552
 D418,371 S * 1/2000 Whitehead D7/538
 D425,790 S * 5/2000 Rondolino D9/430
 6,135,304 A 10/2000 Wyslotsky
 D438,463 S * 3/2001 Schill D9/416
 6,283,364 B1 9/2001 Gray, Sr.
 6,349,875 B1 2/2002 Whitnell
 D455,614 S * 4/2002 Miller D7/629
 D507,453 S * 7/2005 Mills D7/359
 D519,830 S 5/2006 Yocum
 D530,197 S * 10/2006 LaMasney D9/420
 D533,971 S * 12/2006 Carter D30/108
 7,287,660 B2 10/2007 Ramirez et al.
 D585,735 S * 2/2009 Vovan D9/416
 7,597,206 B2 10/2009 Atkins et al.
 D604,118 S * 11/2009 Braidotti D7/628
 7,628,313 B2 12/2009 Fry

D632,955 S 2/2011 Smith, III et al.
 D638,534 S * 5/2011 Moga D24/113
 8,146,743 B2 4/2012 Stonehouse
 8,251,249 B1 8/2012 Vovan
 D670,162 S * 11/2012 Segal D9/424
 D679,198 S 4/2013 O'Connor et al.
 D683,192 S * 5/2013 Schwartz D7/629
 D688,920 S * 9/2013 Manley D7/629
 8,523,049 B2 9/2013 Fitzwater
 8,541,038 B2 9/2013 Feldmeier et al.
 D693,219 S * 11/2013 Limback D9/424
 8,657,138 B2 2/2014 Everson
 8,672,215 B2 3/2014 Learn
 8,733,626 B2 5/2014 Learn
 8,740,050 B2 6/2014 Zinck et al.
 8,807,385 B1 8/2014 Fosse
 8,820,621 B2 9/2014 Burke et al.
 8,850,969 B2 10/2014 Ewald et al.
 8,960,480 B2 2/2015 Clark
 9,102,446 B2 8/2015 Kowal et al.
 9,139,330 B2 9/2015 Gomez
 9,233,515 B2 1/2016 Cook et al.
 D758,741 S * 6/2016 Sussman D4/137
 D867,872 S * 11/2019 Labonte D9/424
 D874,881 S * 2/2020 Mastronardi D7/628
 2004/0207113 A1 10/2004 Huisman
 2005/0112243 A1 5/2005 Bellmann et al.
 2006/0068063 A1 3/2006 Zerfas et al.
 2007/0012754 A1 1/2007 Stier
 2007/0012755 A1 1/2007 Metcalf
 2008/0110966 A1 5/2008 Yocum
 2009/0145090 A1 6/2009 Vassigh et al.
 2011/0114526 A1 5/2011 Neumann et al.
 2011/0132796 A1 6/2011 Epstein et al.
 2013/0320005 A1 12/2013 Bardwell et al.
 2014/0041343 A1 2/2014 Corbett et al.
 2014/0263599 A1 9/2014 Robertson
 2015/0272157 A1 10/2015 Vaccarella et al.
 2015/0272158 A1 10/2015 Vaccarella
 2015/0307257 A1 10/2015 Padda et al.

* cited by examiner

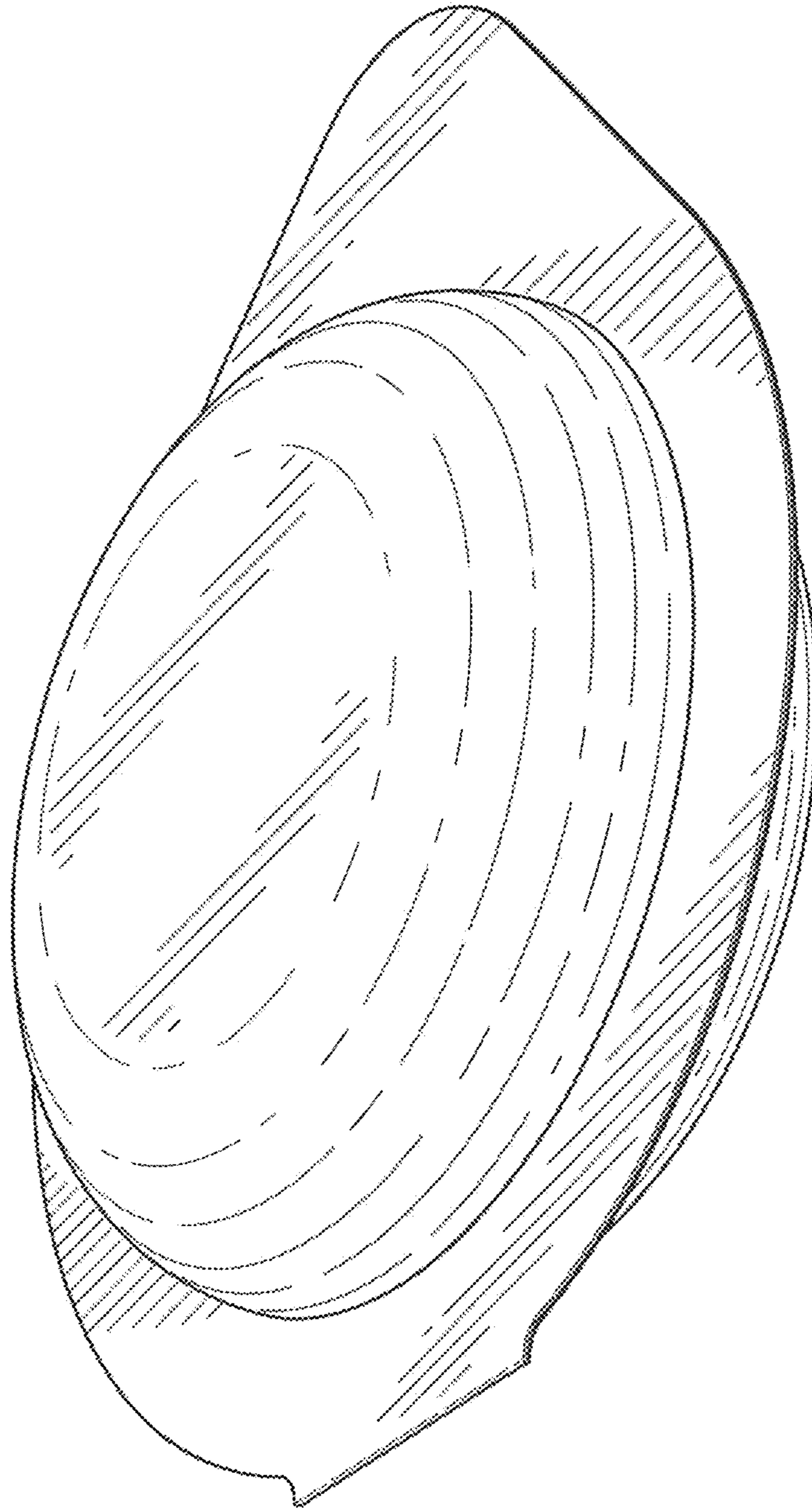


FIG. 1

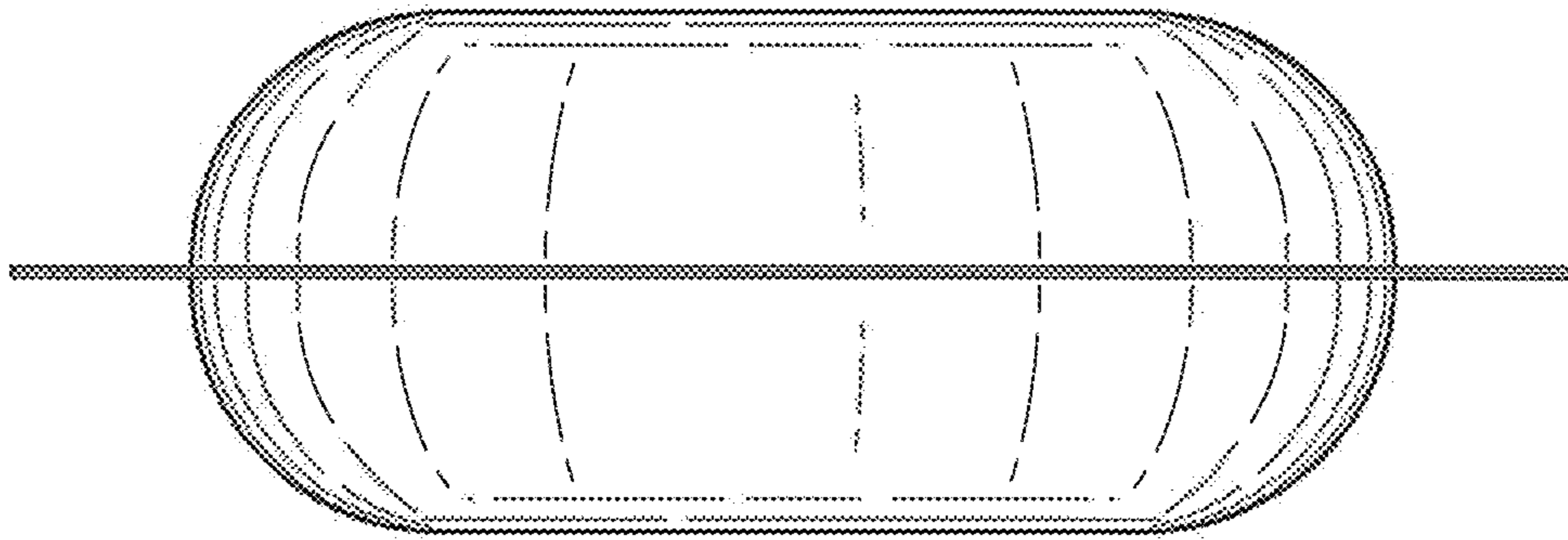


FIG. 2

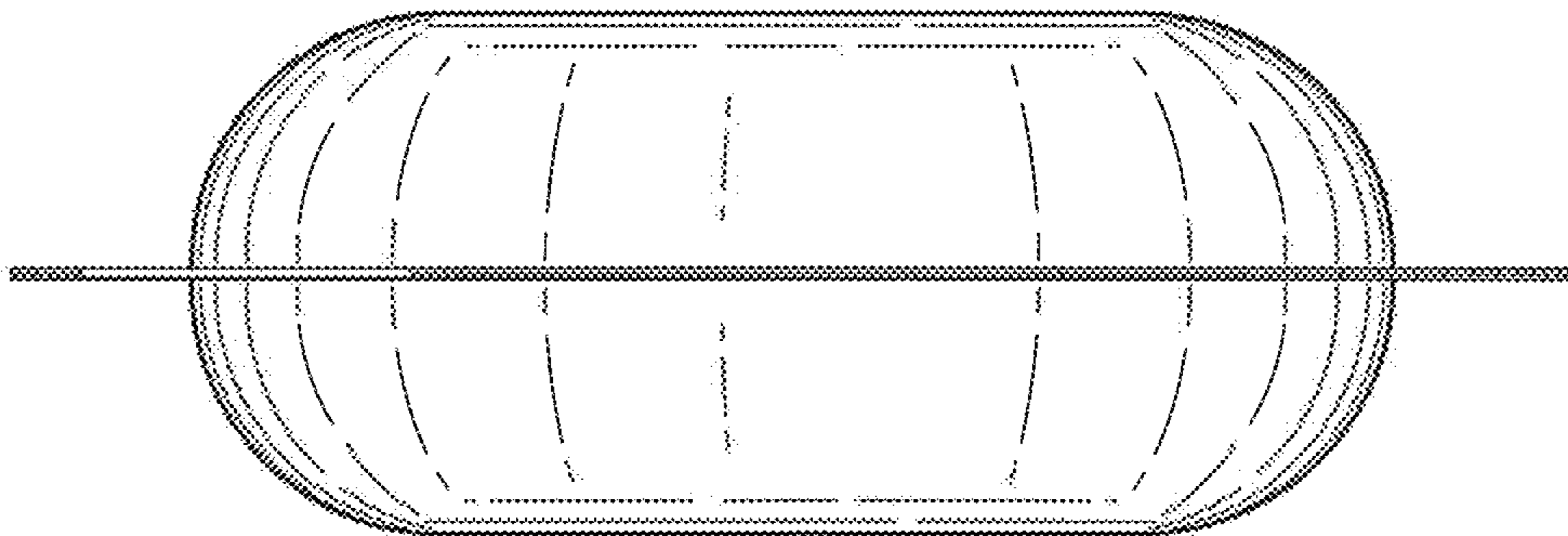


FIG. 3

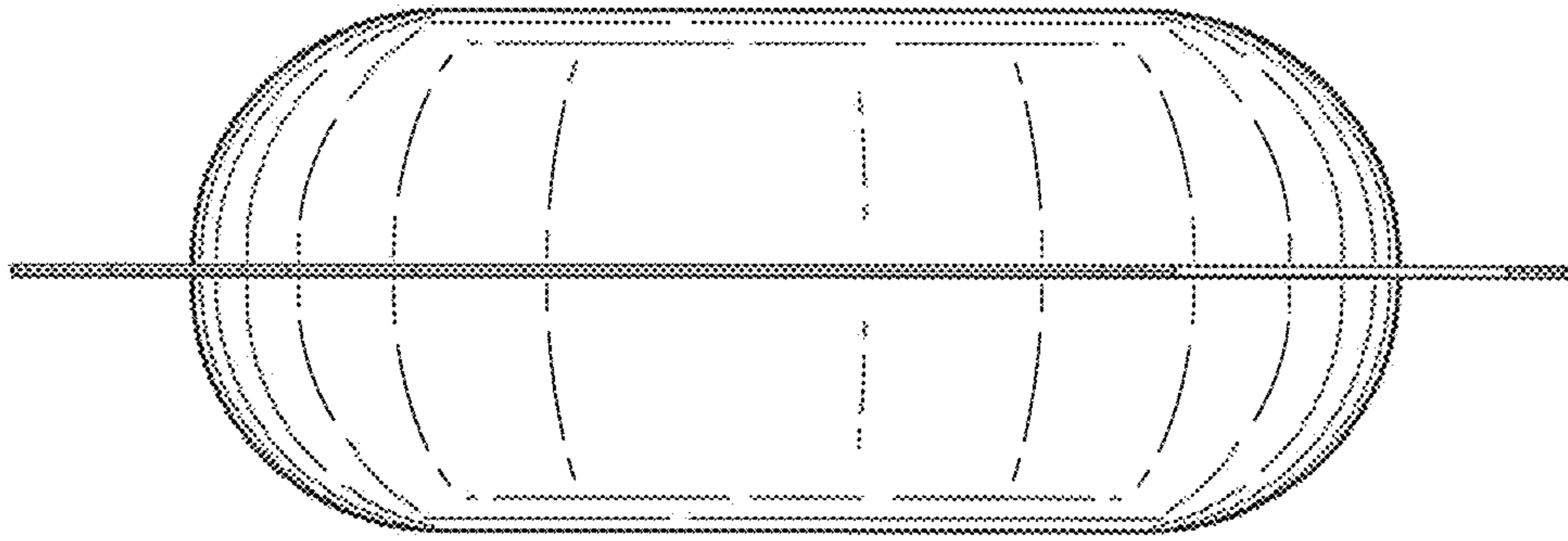


FIG. 4

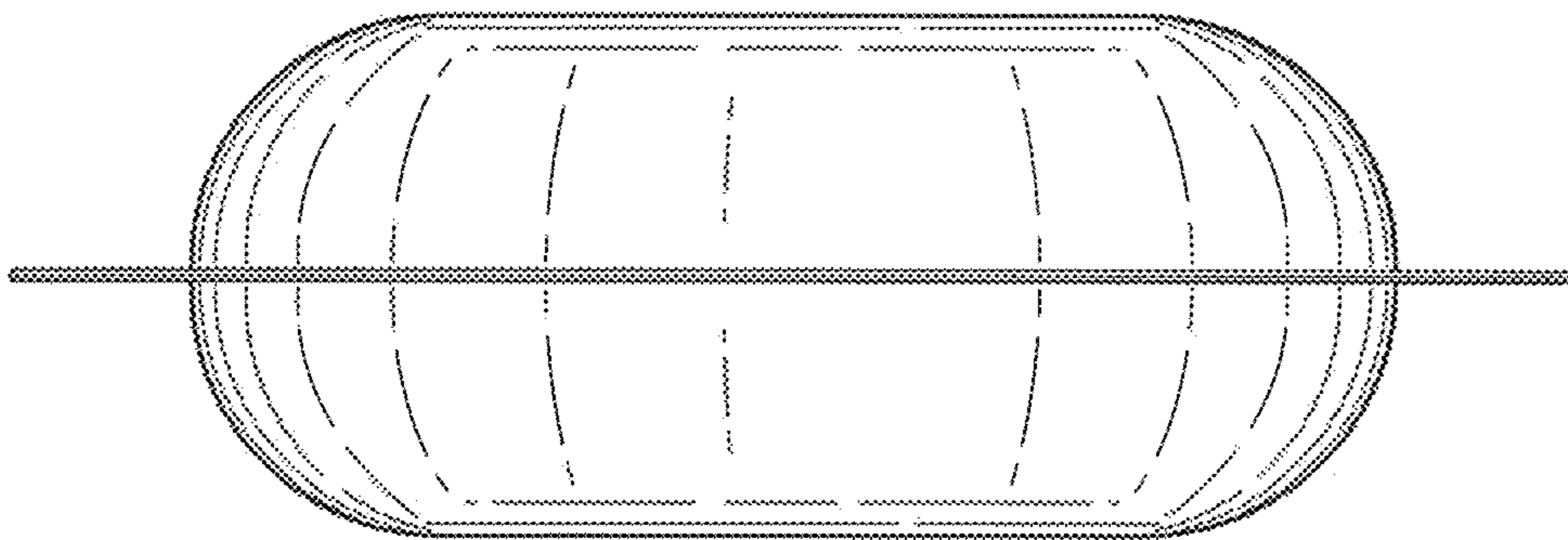


FIG. 5

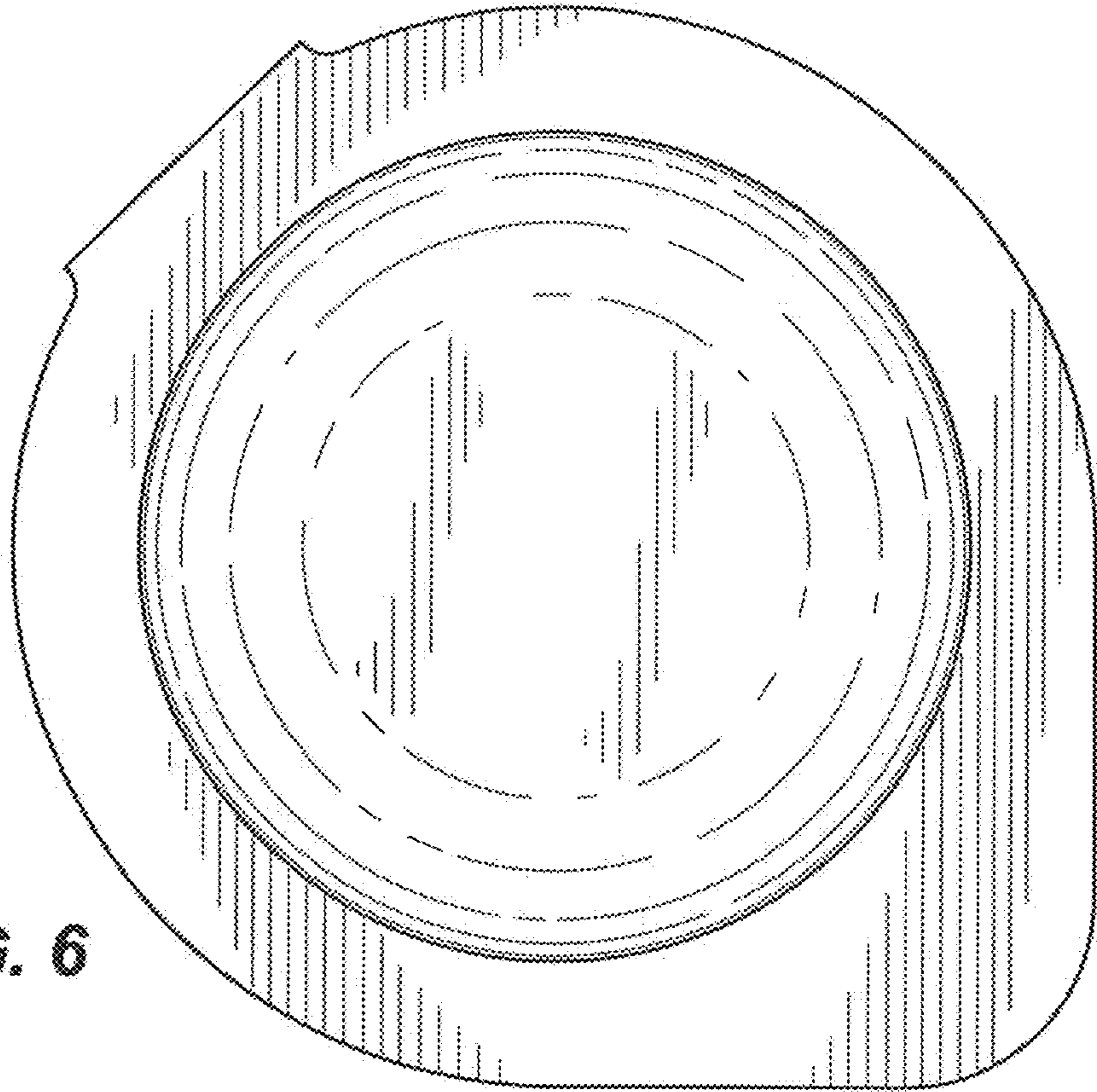


FIG. 6

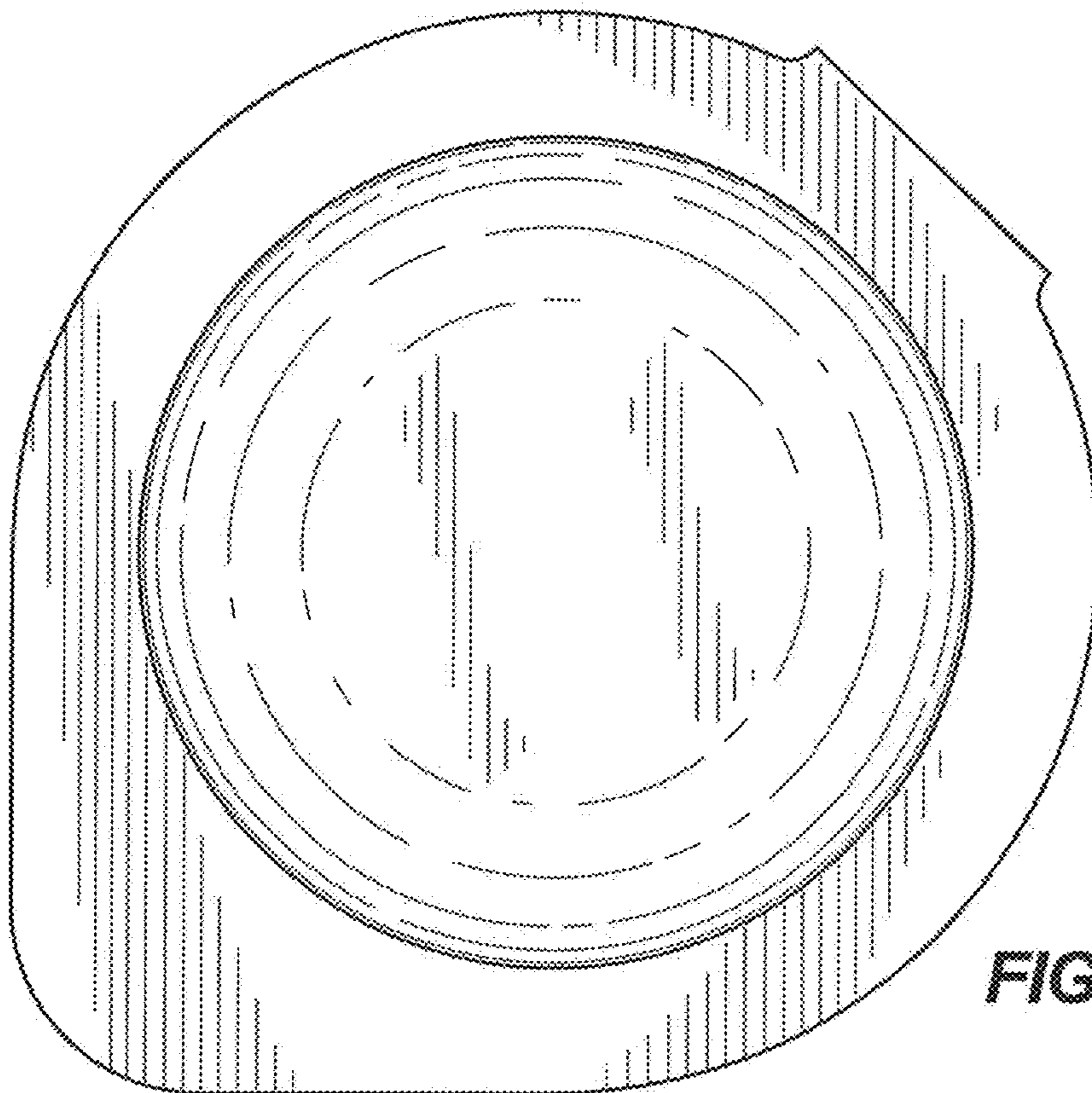


FIG. 7

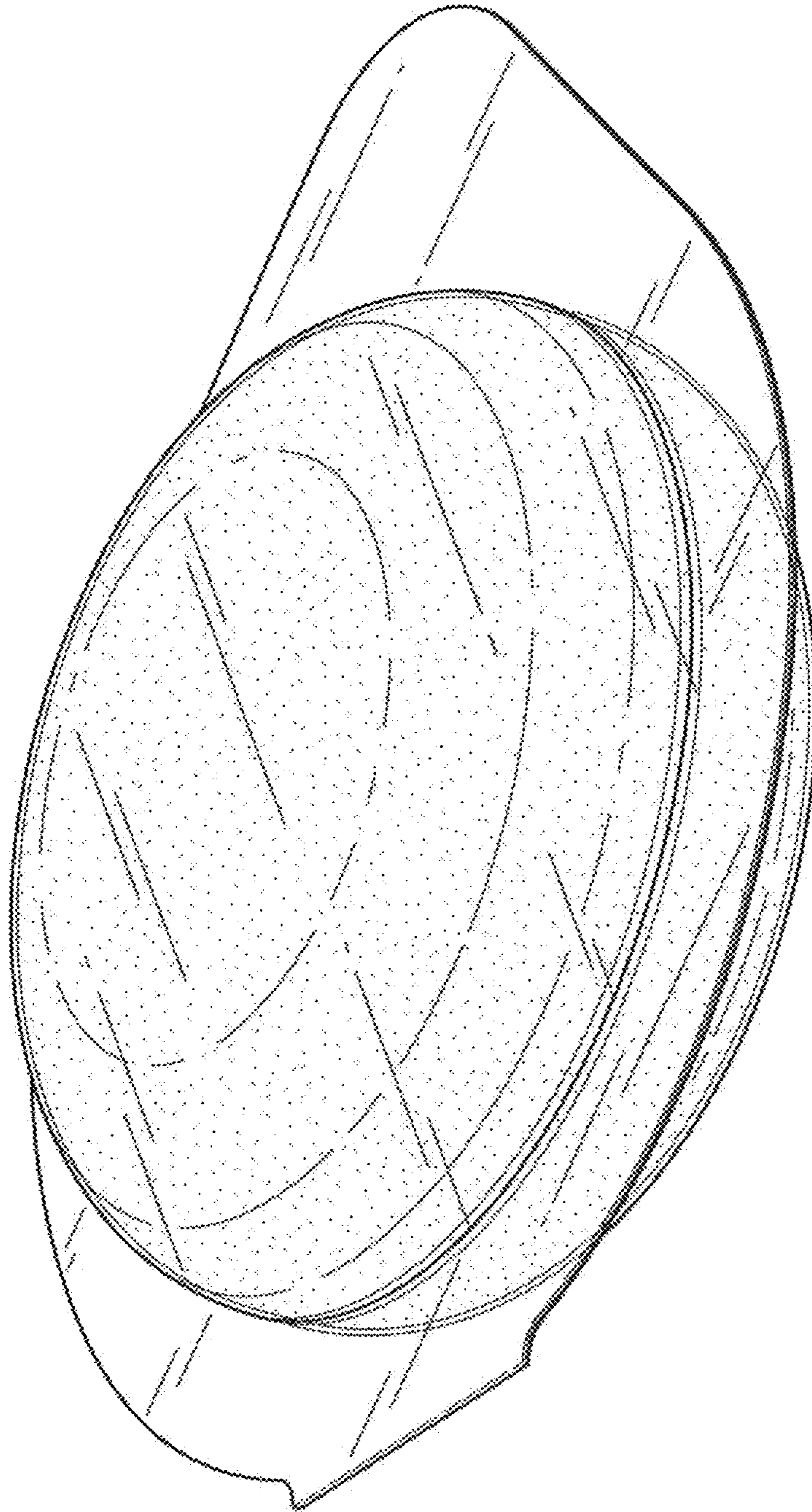


FIG. 8

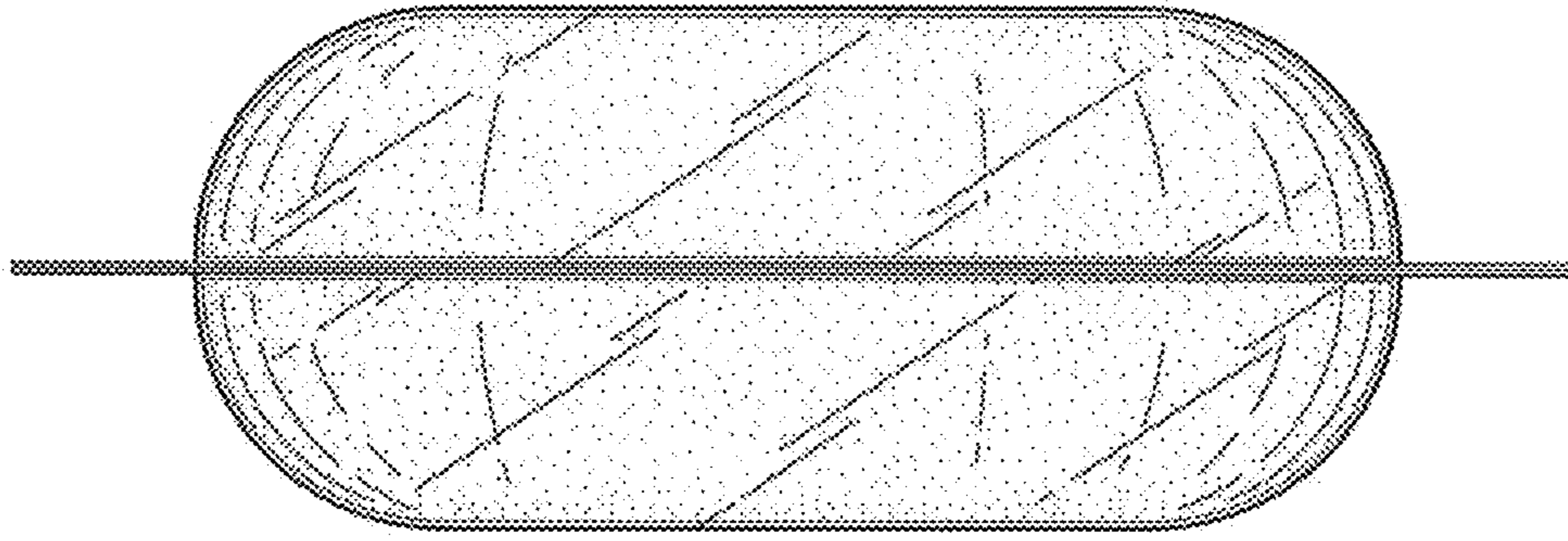


FIG. 9

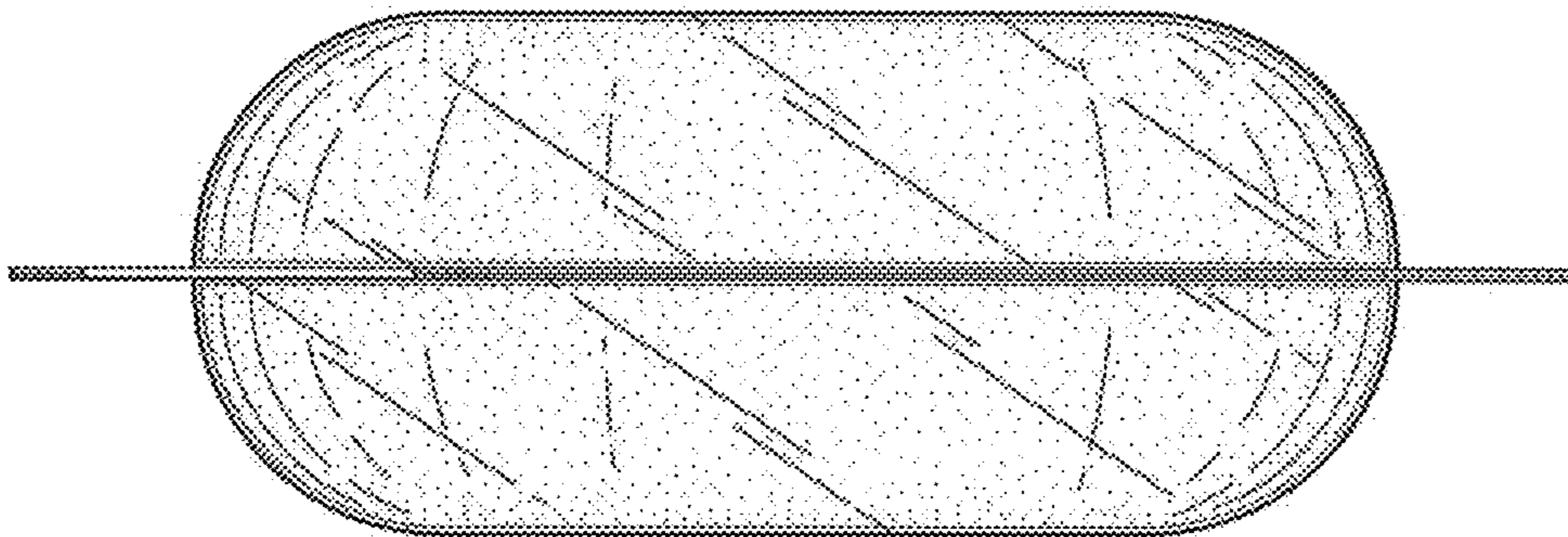


FIG. 10

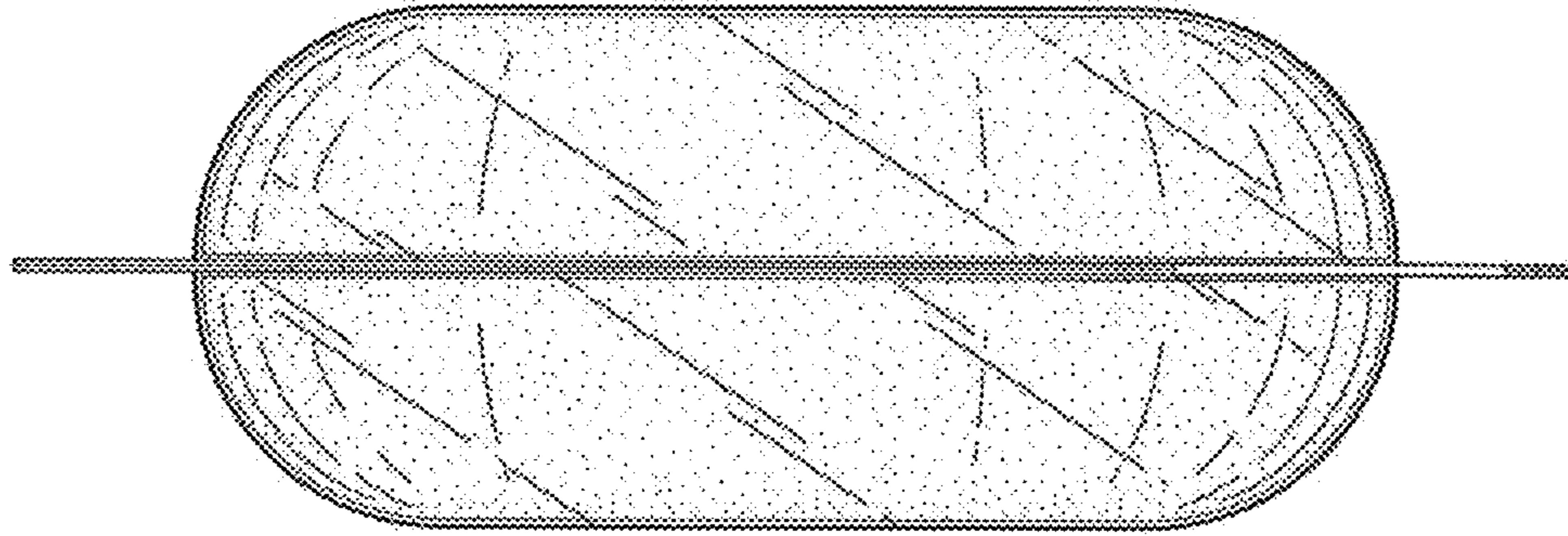


FIG. 11

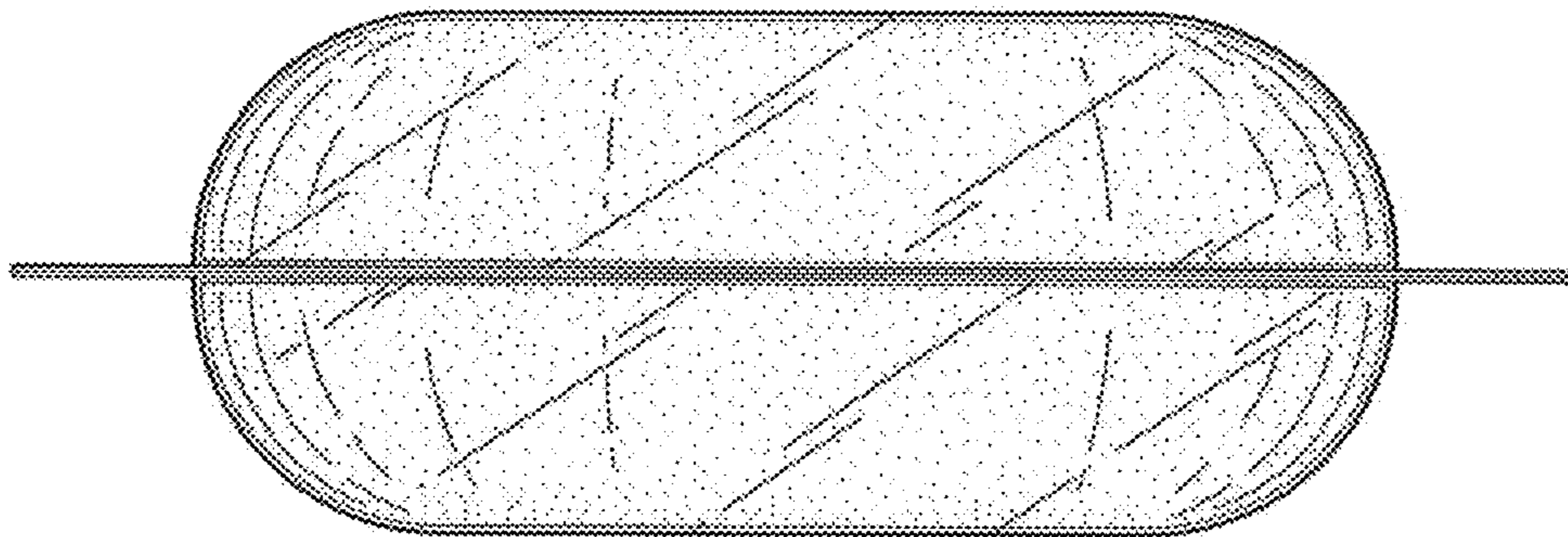


FIG. 12

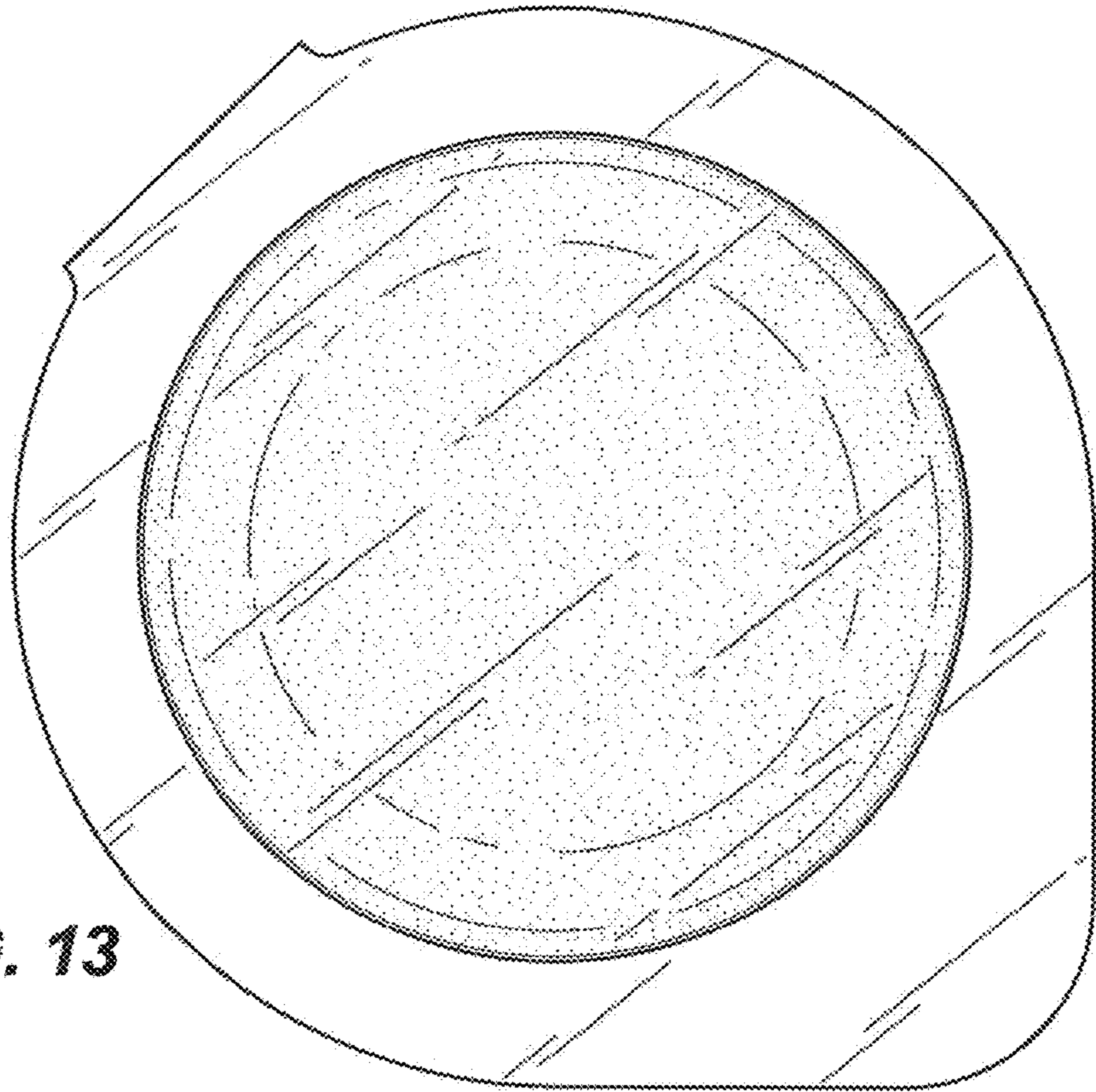


FIG. 13

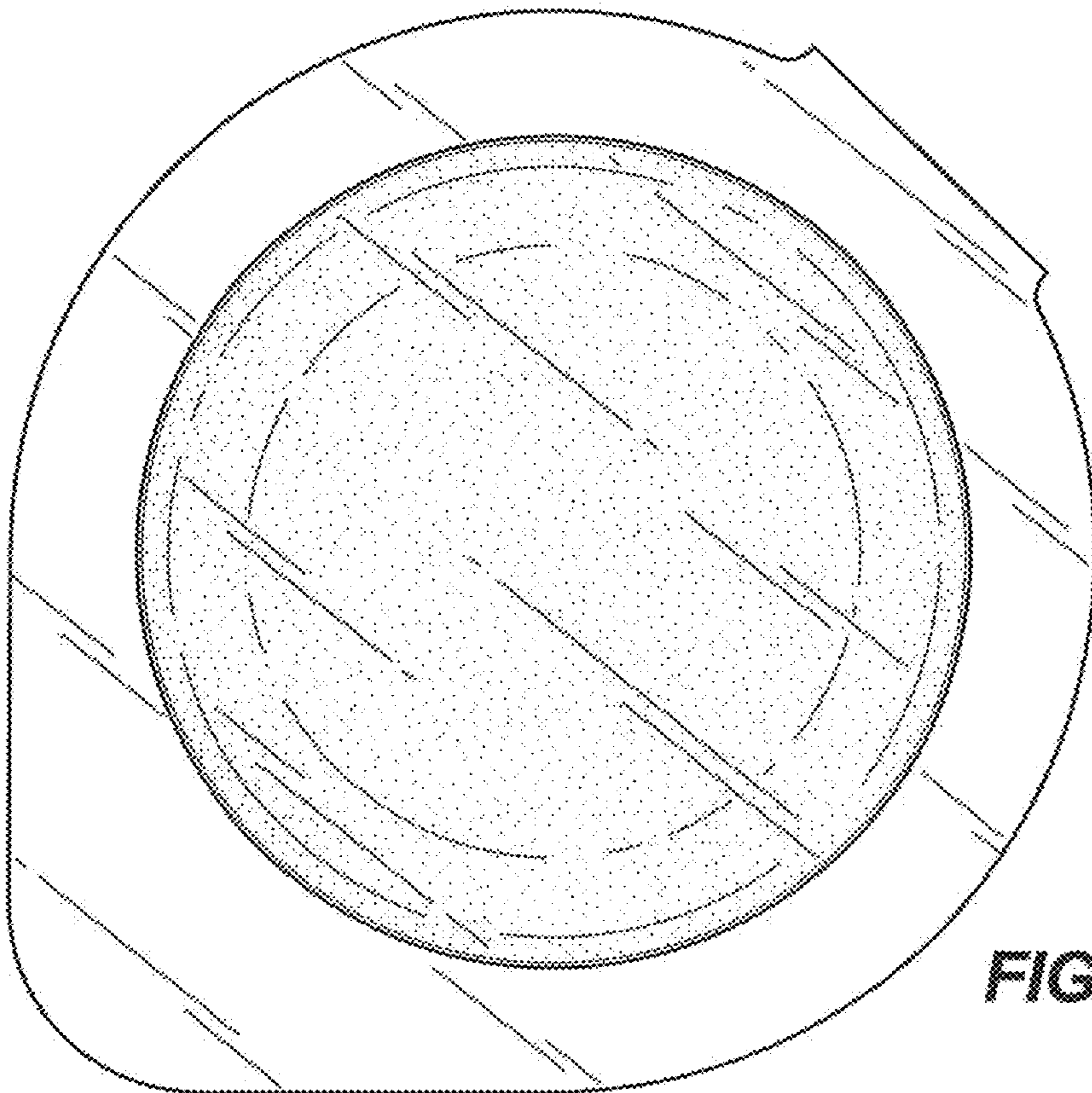


FIG. 14