



US00D920093S

(12) **United States Design Patent** (10) **Patent No.:** **US D920,093 S**
DiChiara et al. (45) **Date of Patent:** **** May 25, 2021**

(54) **PACKAGE**

B65D 2543/00046; B65D 2543/00092;
B65D 2543/00296; B65D 5/46; B65D
2251/00

(71) Applicant: **GlaxoSmithKline LLC**, Wilmington,
DE (US)

See application file for complete search history.

(72) Inventors: **Leonard Joseph DiChiara**, Chatham,
NJ (US); **David Michael Lutness**,
Hillsborough, NJ (US); **Jeffrey Scott
Brunner**, Parsippany, NJ (US); **Peter
Kay**, Harlow (GB); **James Andrew
Holt**, Worthing (GB)

(56) **References Cited**

U.S. PATENT DOCUMENTS

D247,222 S	2/1978	Paone et al.	
D250,092 S	10/1978	Schoenfield et al.	
D283,051 S *	3/1986	Fichera	D24/123
D305,408 S *	1/1990	LaJoie	D9/415
D329,600 S	9/1992	LaJoie	
D330,855 S *	11/1992	Demopoulos	D9/415
D331,011 S *	11/1992	Karita	D9/425
D331,012 S	11/1992	Karita et al.	
D364,803 S *	12/1995	Wada	D9/415
D365,022 S *	12/1995	Wada	D9/415
D378,570 S	3/1997	MacEachern	

(Continued)

(73) Assignee: **GlaxoSmithKline LLC**, Wilmington,
DE (US)

(**) Term: **15 Years**

(21) Appl. No.: **29/585,377**

(22) Filed: **Nov. 23, 2016**

Primary Examiner — Wendy L Arminio

(74) *Attorney, Agent, or Firm* — Diane E. Furman

(57) **CLAIM**

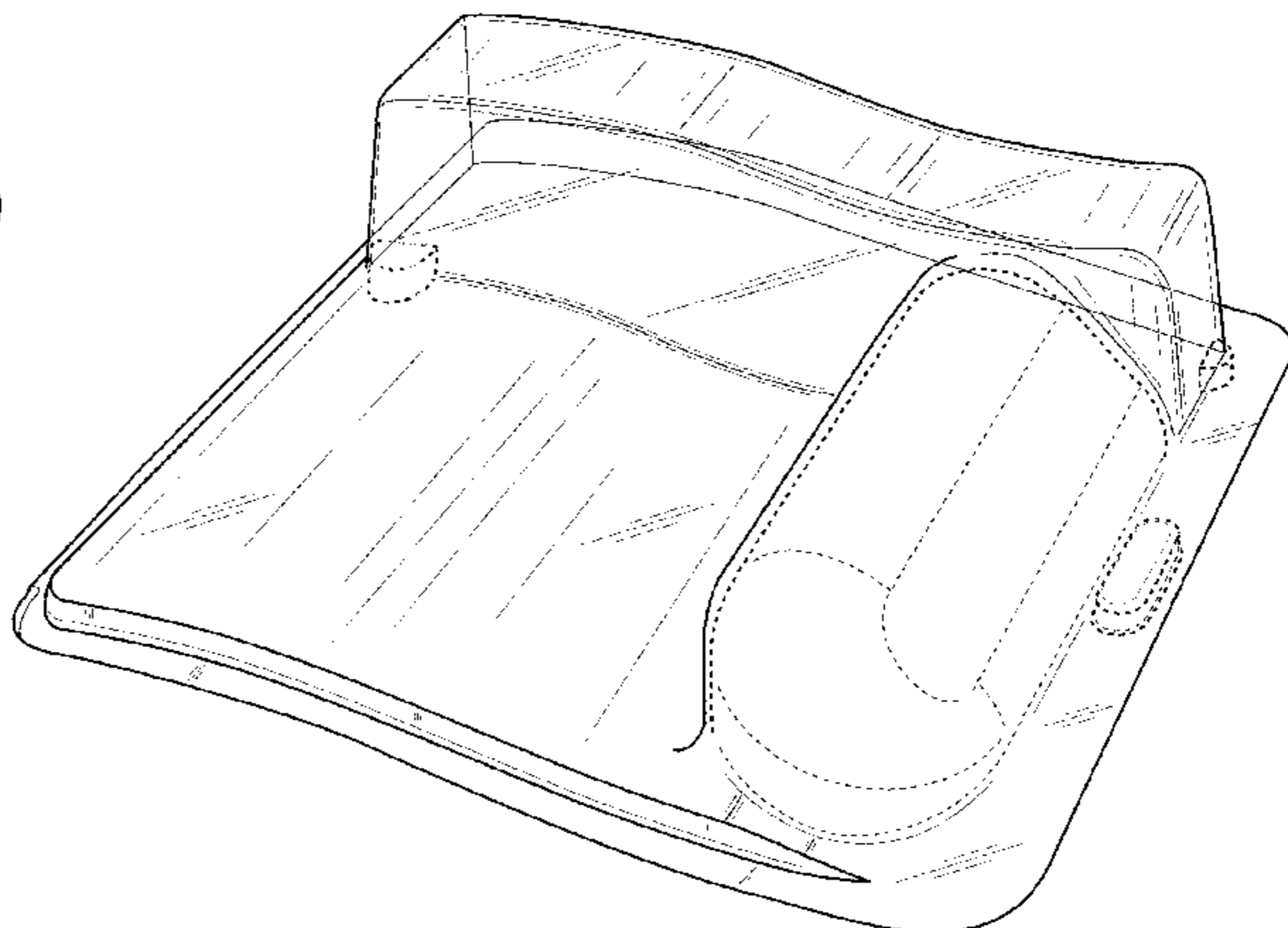
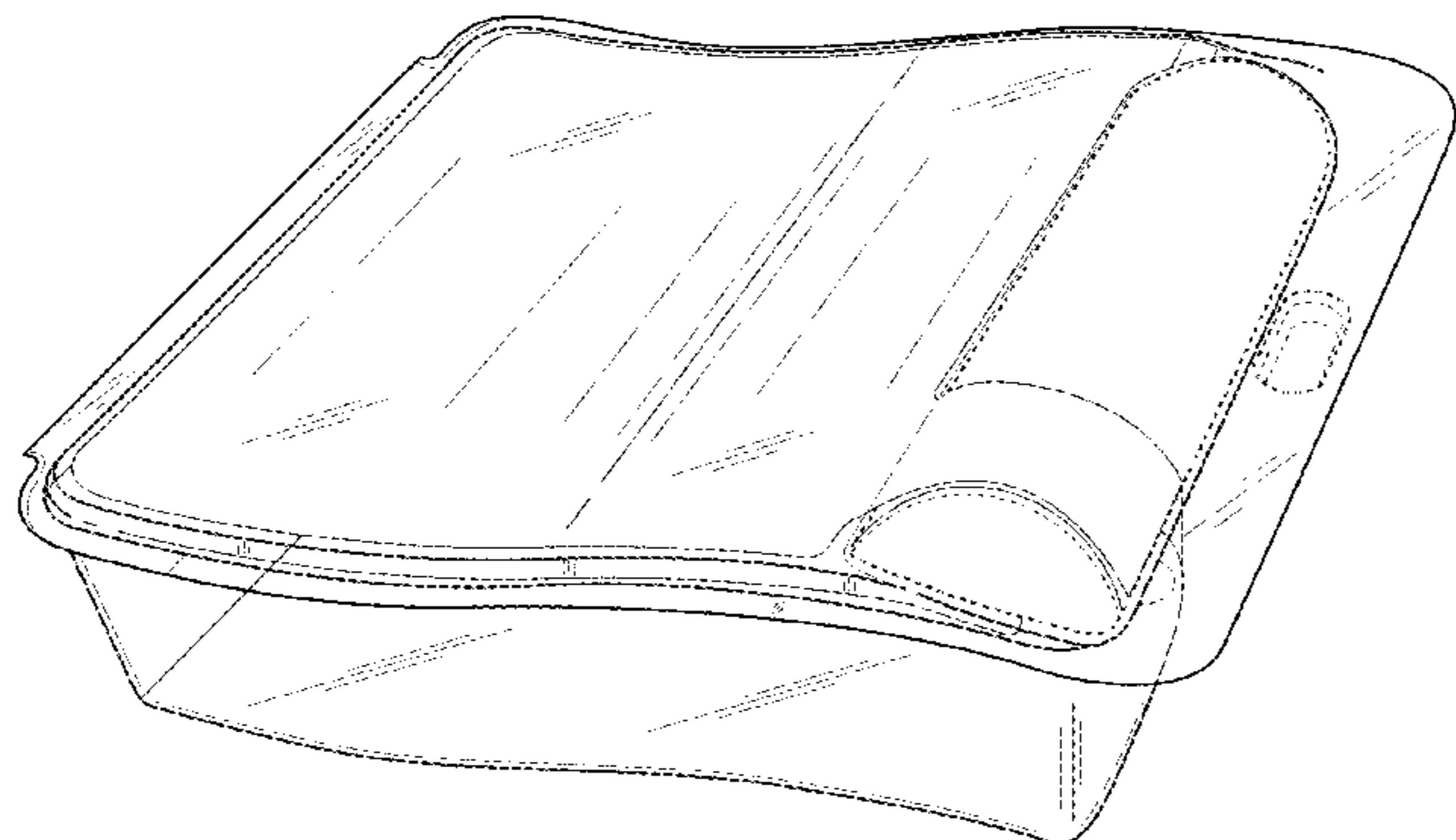
We claim the ornamental design for a package, as shown and described.

DESCRIPTION

FIG. 1 is a front perspective view of a package;
 FIG. 2 is a rear perspective view thereof;
 FIG. 3 is a front view thereof;
 FIG. 4 is a rear view thereof;
 FIG. 5 is a top view thereof;
 FIG. 6 is a bottom view thereof;
 FIG. 7 is a right side view thereof; and,
 FIG. 8 is a left side view thereof.

The broken lines shown in the drawings depict portions of the package that form no part of the claimed design. The oblique shade lines in the drawings describe transparent areas of the package. In the front of the package, an opaque label is positioned inside of a transparent area of the article.

1 Claim, 6 Drawing Sheets



(56)

References Cited

U.S. PATENT DOCUMENTS

D378,894 S *	4/1997	Mello	D9/415	D615,395 S *	5/2010	Jefferies	D9/415
D408,279 S	4/1999	Fracassi et al.		D623,935 S	9/2010	Kim et al.	
D408,280 S	4/1999	Manley et al.		D625,181 S *	10/2010	Jefferies	D9/425
D416,483 S	11/1999	Manley et al.		D645,338 S *	9/2011	Kapur	D3/294
D437,216 S	2/2001	Saputo et al.		D653,533 S	2/2012	Brachman et al.	
D442,857 S *	5/2001	Feehan, Jr.	D9/415	D691,880 S	10/2013	Larson et al.	
D449,780 S	10/2001	Corella		D703,551 S	4/2014	Kirchmayr et al.	
D451,382 S	12/2001	Adkins		D708,056 S	7/2014	Larson et al.	
D453,901 S *	2/2002	Shepperson	D9/415	D747,964 S *	1/2016	Limback	D9/426
D454,782 S	3/2002	Kropf et al.		D767,987 S *	10/2016	Wu	D9/415
D502,095 S *	2/2005	Tucker	D9/425	D810,558 S *	2/2018	Yuan	D9/424
D504,811 S	5/2005	Haingaertner		D810,560 S *	2/2018	Yuan	D9/424
D541,646 S *	5/2007	Hayes	D9/415	D814,292 S *	4/2018	Yuan	D9/424
D556,565 S	12/2007	Nazari		D818,818 S *	5/2018	Debnath	D9/415
D584,606 S	1/2009	Wintmolders et al.		D818,820 S *	5/2018	Yuan	D9/424
D596,023 S	7/2009	Moskowitz		D820,674 S *	6/2018	Yuan	D9/424
D605,516 S *	12/2009	Yang	D9/415	2005/0092644 A1	5/2005	Cafferata et al.	
D606,392 S *	12/2009	Prevost	D9/415	2011/0290688 A1 *	12/2011	Marcinkowski	B65D 77/26 206/352
				2017/0266873 A1 *	9/2017	Crosby	B65B 7/26

* cited by examiner

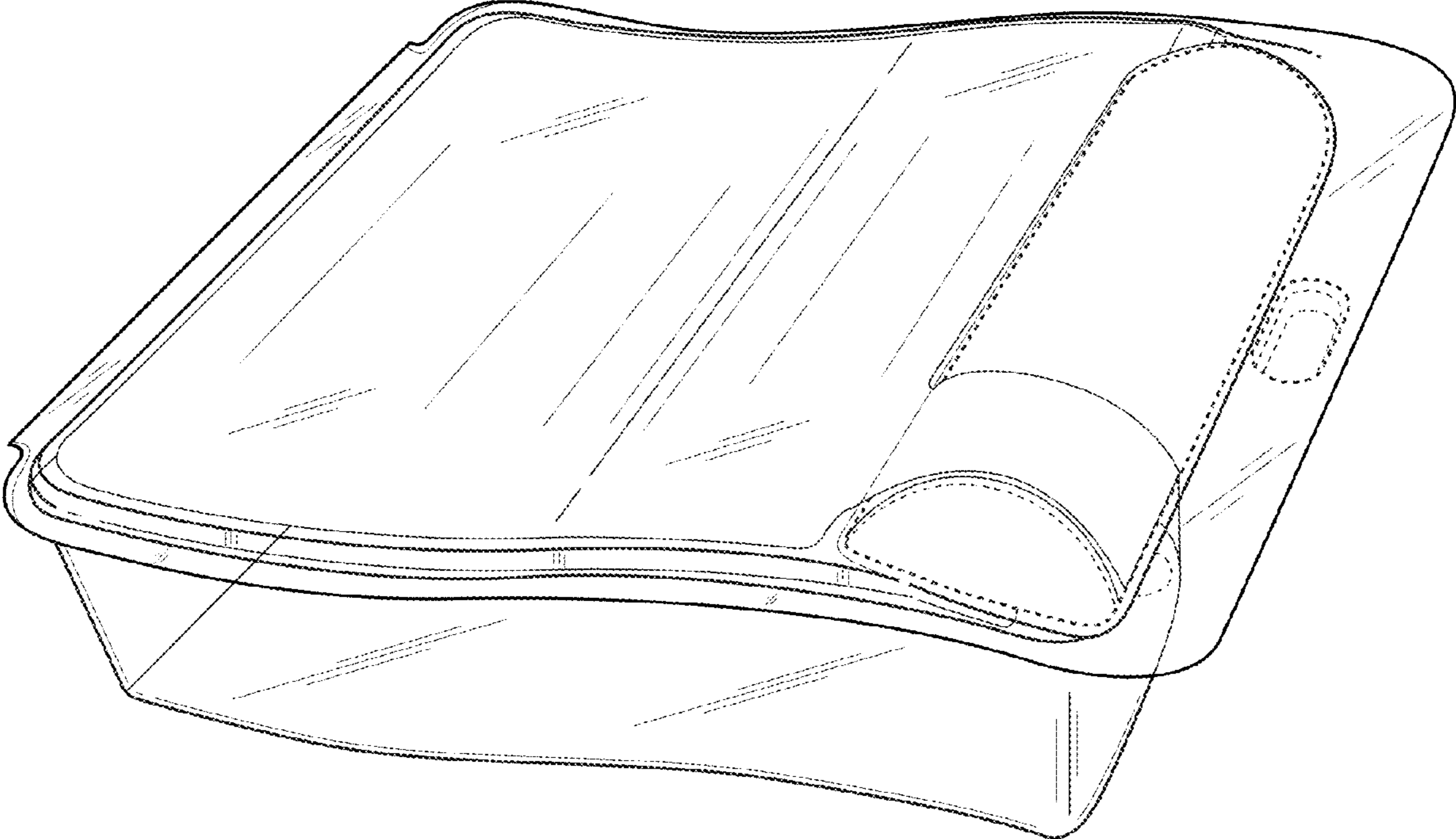


FIG. 1

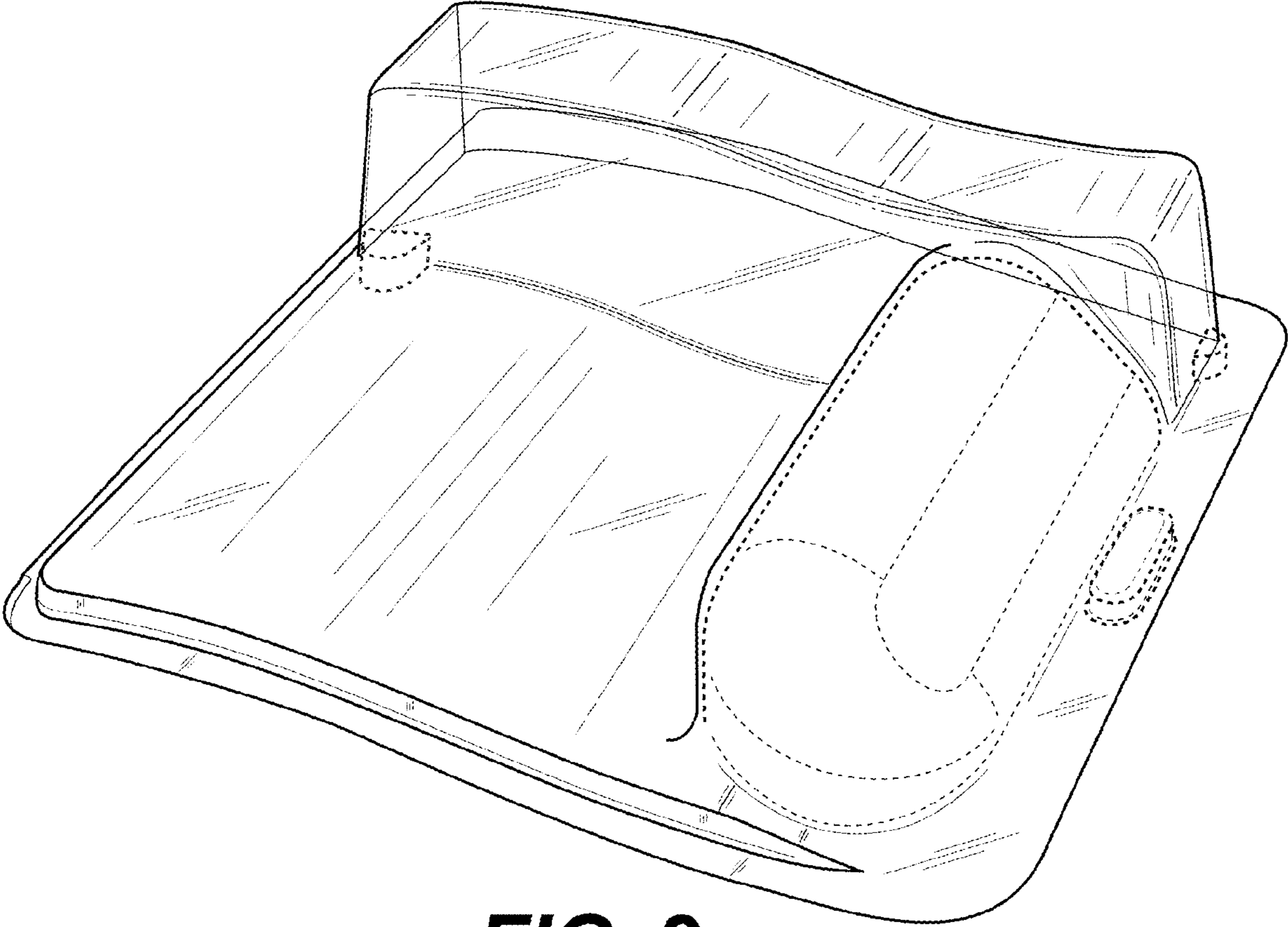


FIG. 2

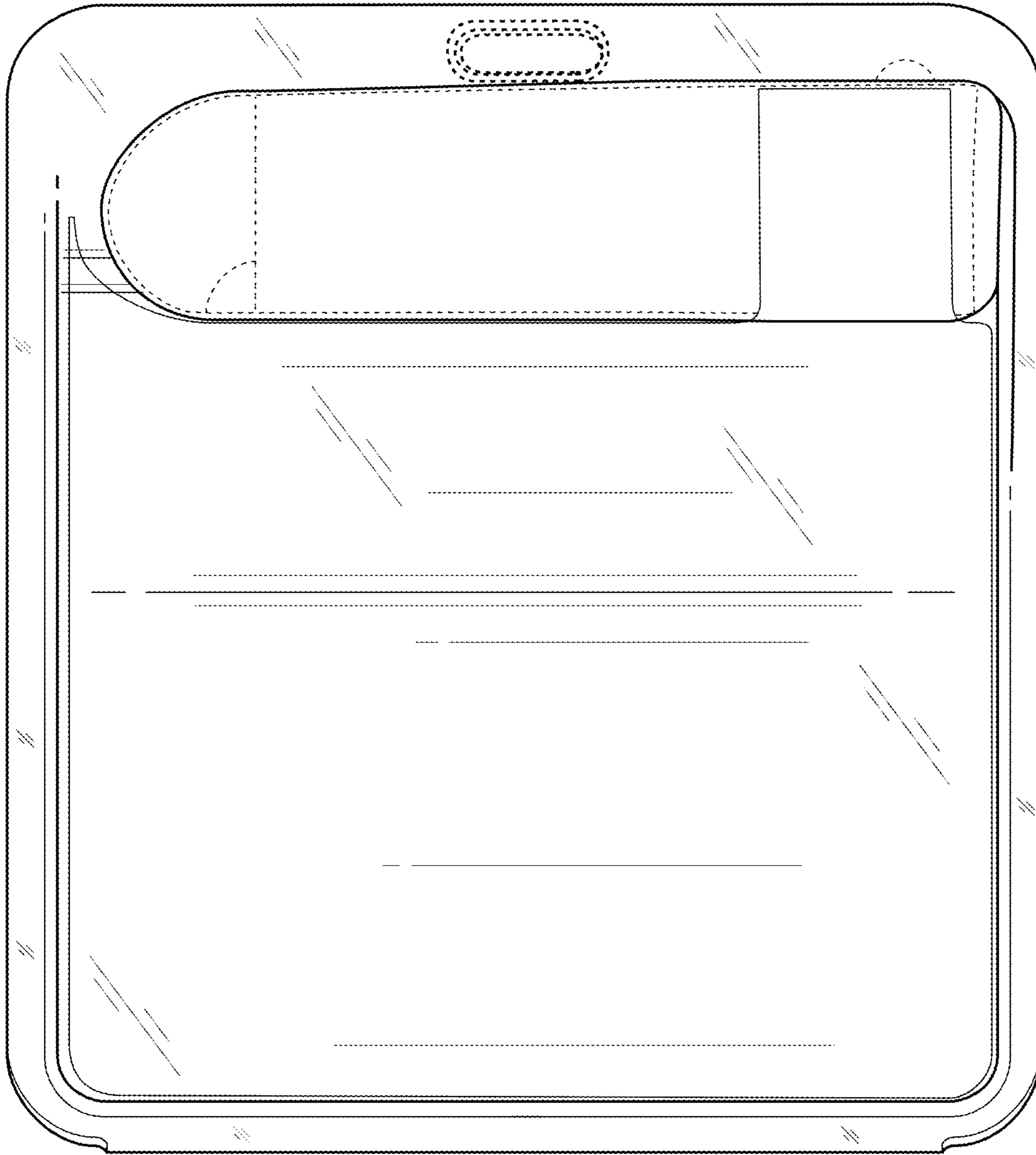


FIG. 3

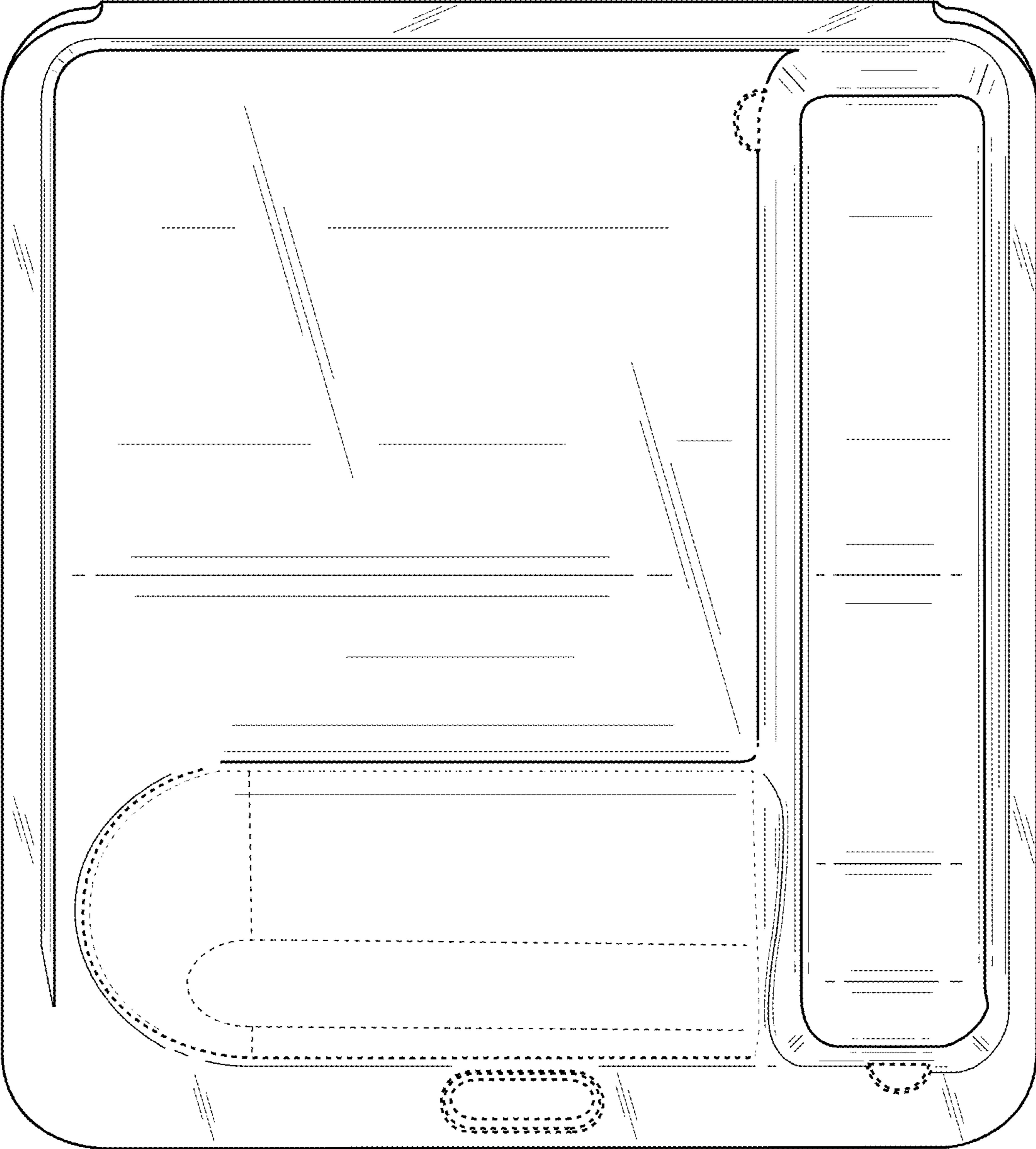


FIG. 4

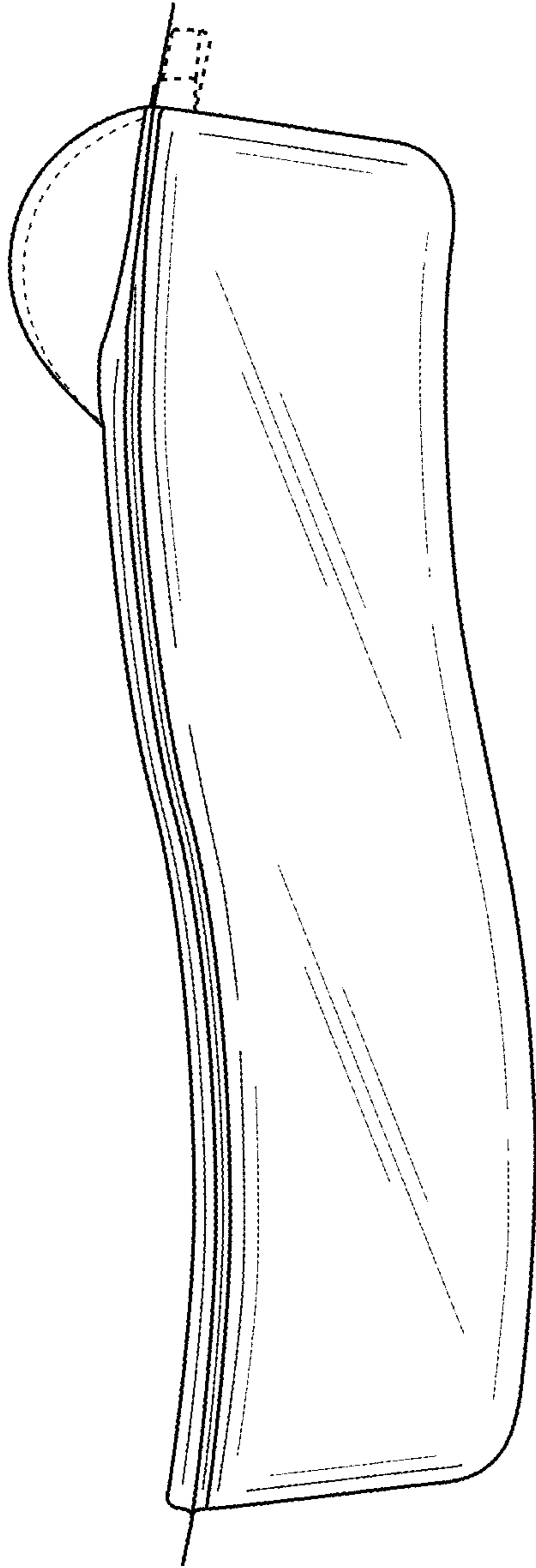


FIG. 5

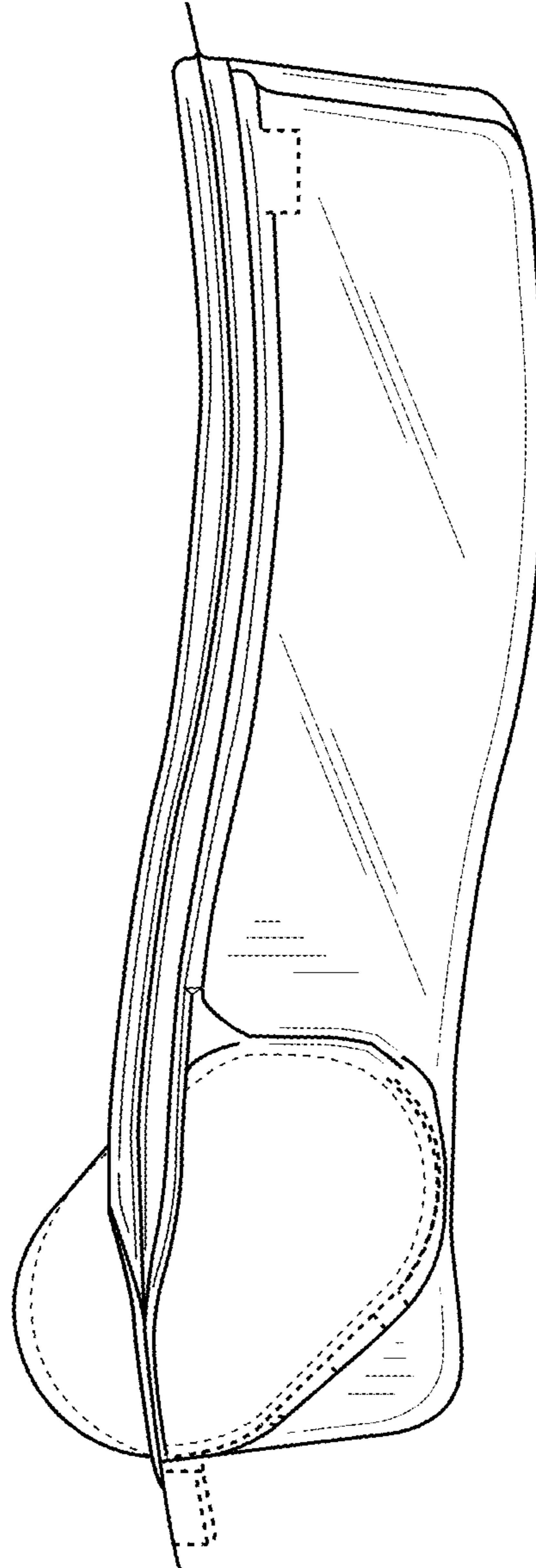


FIG. 6

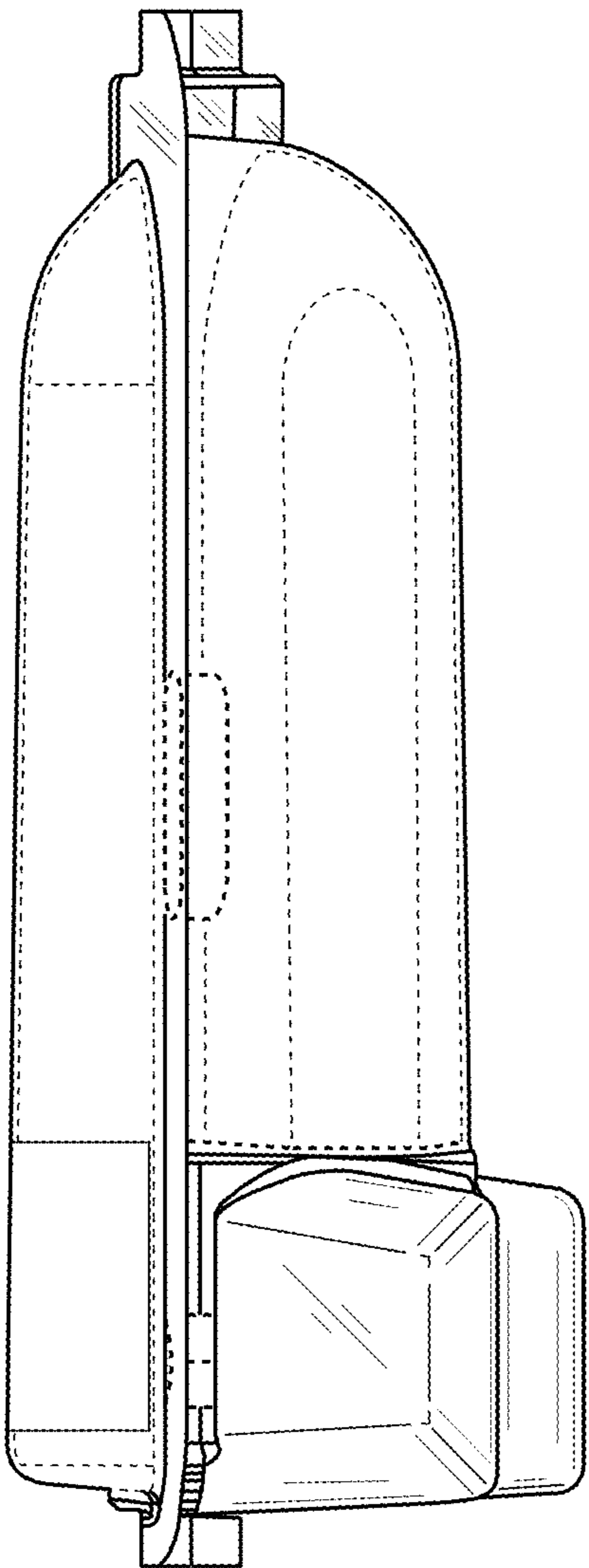


FIG. 7

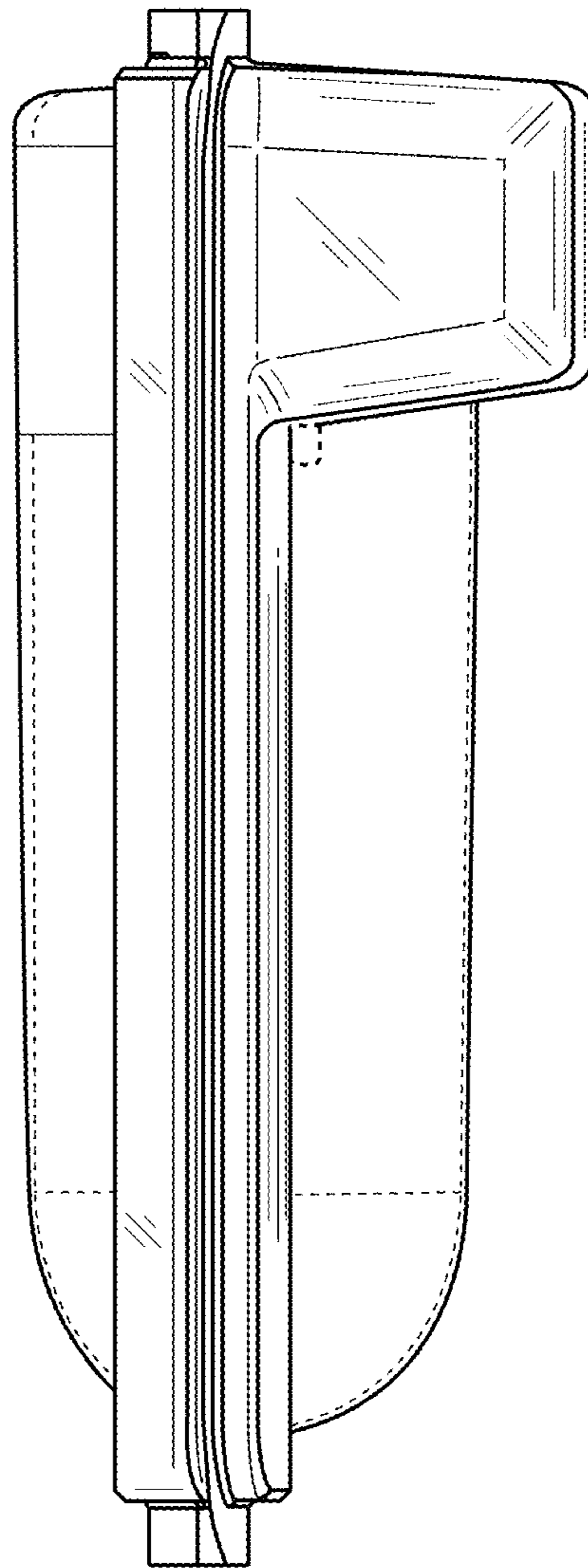


FIG. 8