



US00D920091S

(12) **United States Design Patent** (10) **Patent No.:** **US D920,091 S**
Abramovits (45) **Date of Patent:** **** May 25, 2021**

(54) **DOOR WEDGE**

(71) Applicant: **Alain Abramovits**, Frisco, TX (US)

(72) Inventor: **Alain Abramovits**, Frisco, TX (US)

(**) Term: **15 Years**

(21) Appl. No.: **29/706,181**

(22) Filed: **Sep. 18, 2019**

(51) **LOC (13) Cl.** **08-09**

(52) **U.S. Cl.**
USPC **D8/402**

(58) **Field of Classification Search**
USPC D8/336, 349, 354–355, 367, 373, 402,
D8/380, 382–383, 394, 396; D32/72
CPC E05C 17/443
See application file for complete search history.

(56) **References Cited**

U.S. PATENT DOCUMENTS

4,501,444	A	2/1985	Dominguez	
5,465,460	A	11/1995	Cantone	
D410,380	S *	6/1999	Towns	D8/402
6,161,252	A	12/2000	Rodriguez	
D563,744	S *	3/2008	Adwar	D8/402
D655,144	S *	3/2012	Hajarizadeh	D8/402
9,644,407	B1 *	5/2017	Abramovits	E05C 17/54
10,760,309	B1 *	9/2020	Bowman	E05C 17/54
2005/0225100	A1 *	10/2005	Pendergrass	E05C 17/54 292/343

2005/0235561	A1 *	10/2005	Bushey	E06B 7/28 49/70
2008/0079269	A1 *	4/2008	Bushey	E05C 17/54 292/342
2014/0312634	A1	10/2014	Cushwa, Jr. et al.	
2015/0240541	A1	8/2015	Tellarini et al.	
2019/0338571	A1 *	11/2019	Hughes	E05C 17/54

* cited by examiner

Primary Examiner — Keli L Hill

Assistant Examiner — Harold E Blackwell, II

(74) *Attorney, Agent, or Firm* — Schultz & Associates P.C.

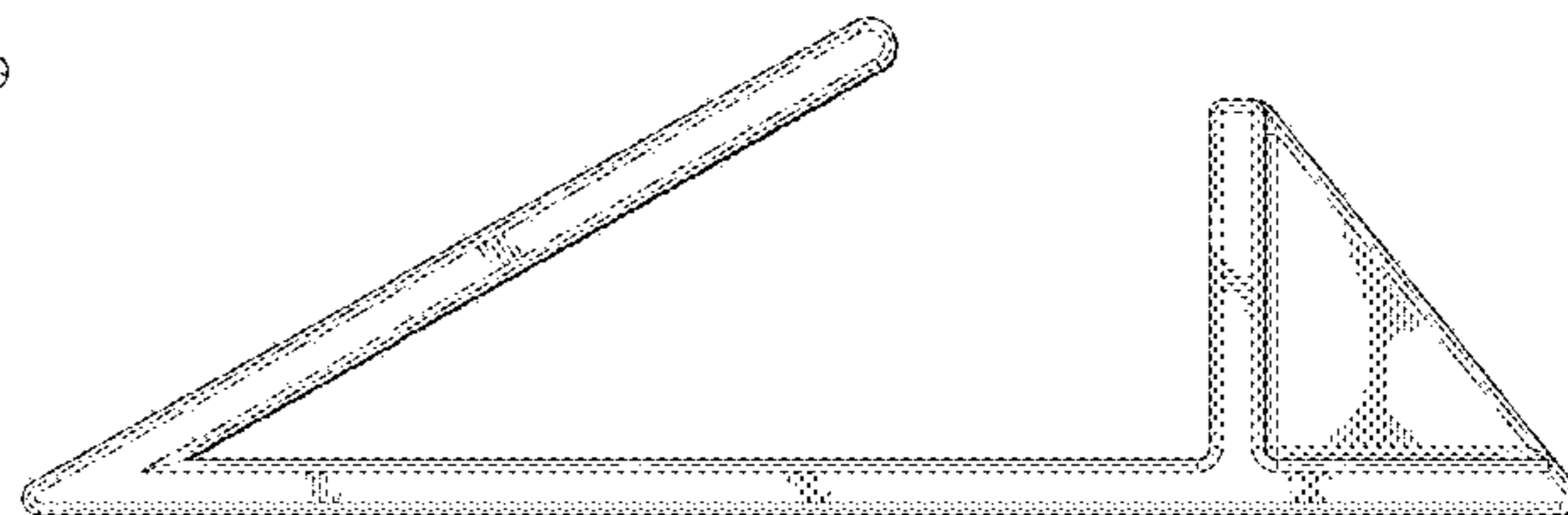
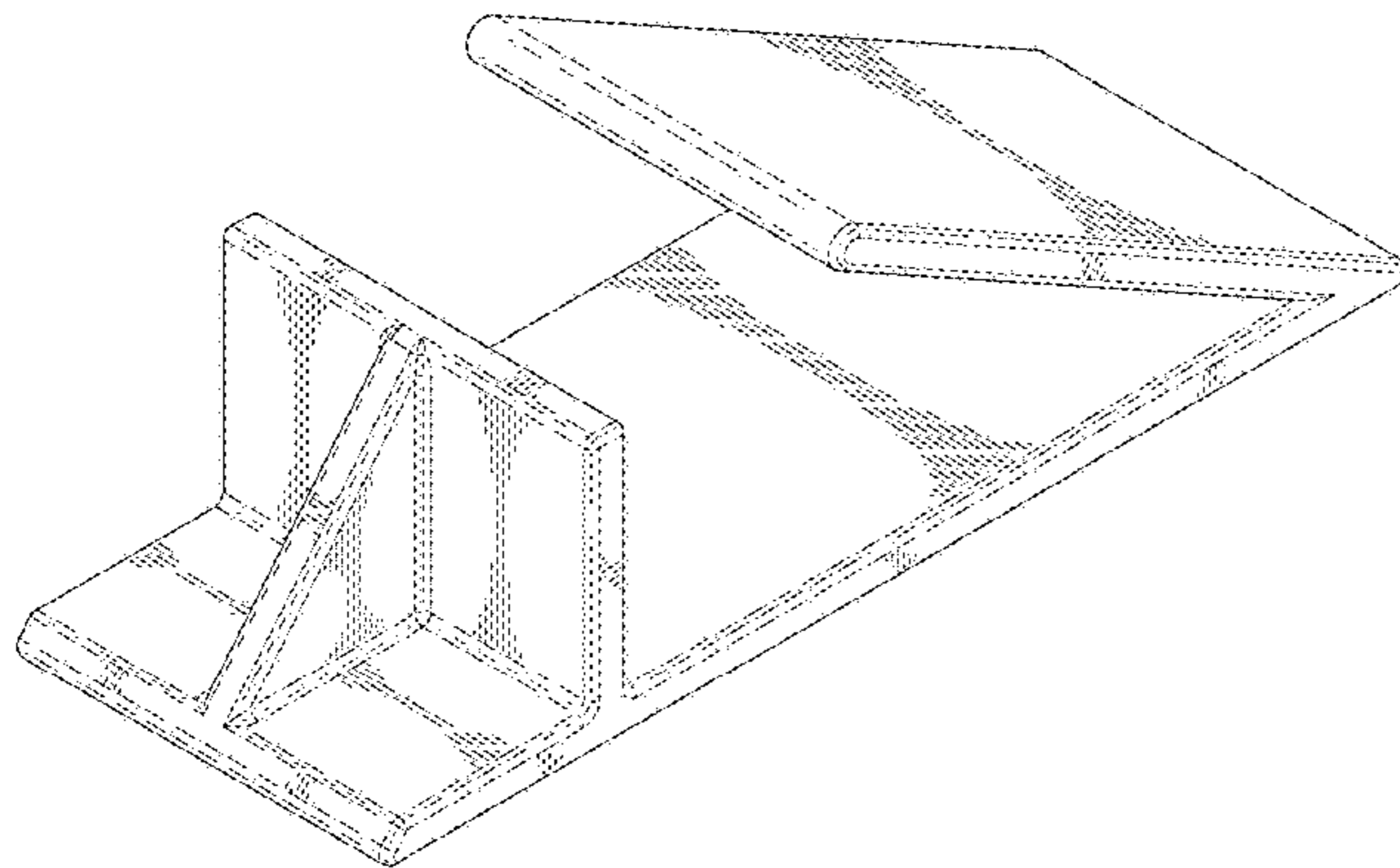
(57) **CLAIM**

The ornamental design for a door wedge, as shown and described.

DESCRIPTION

FIG. 1 is a perspective view of a door wedge showing my new design;
 FIG. 2 is a front elevation view thereof;
 FIG. 3 is a rear elevation view thereof;
 FIG. 4 is right side elevation view thereof;
 FIG. 5 is a left side elevation view thereof;
 FIG. 6 is a top plan view thereof;
 FIG. 7 is a bottom plan view thereof; and,
 FIG. 8 is a perspective view thereof.

1 Claim, 7 Drawing Sheets



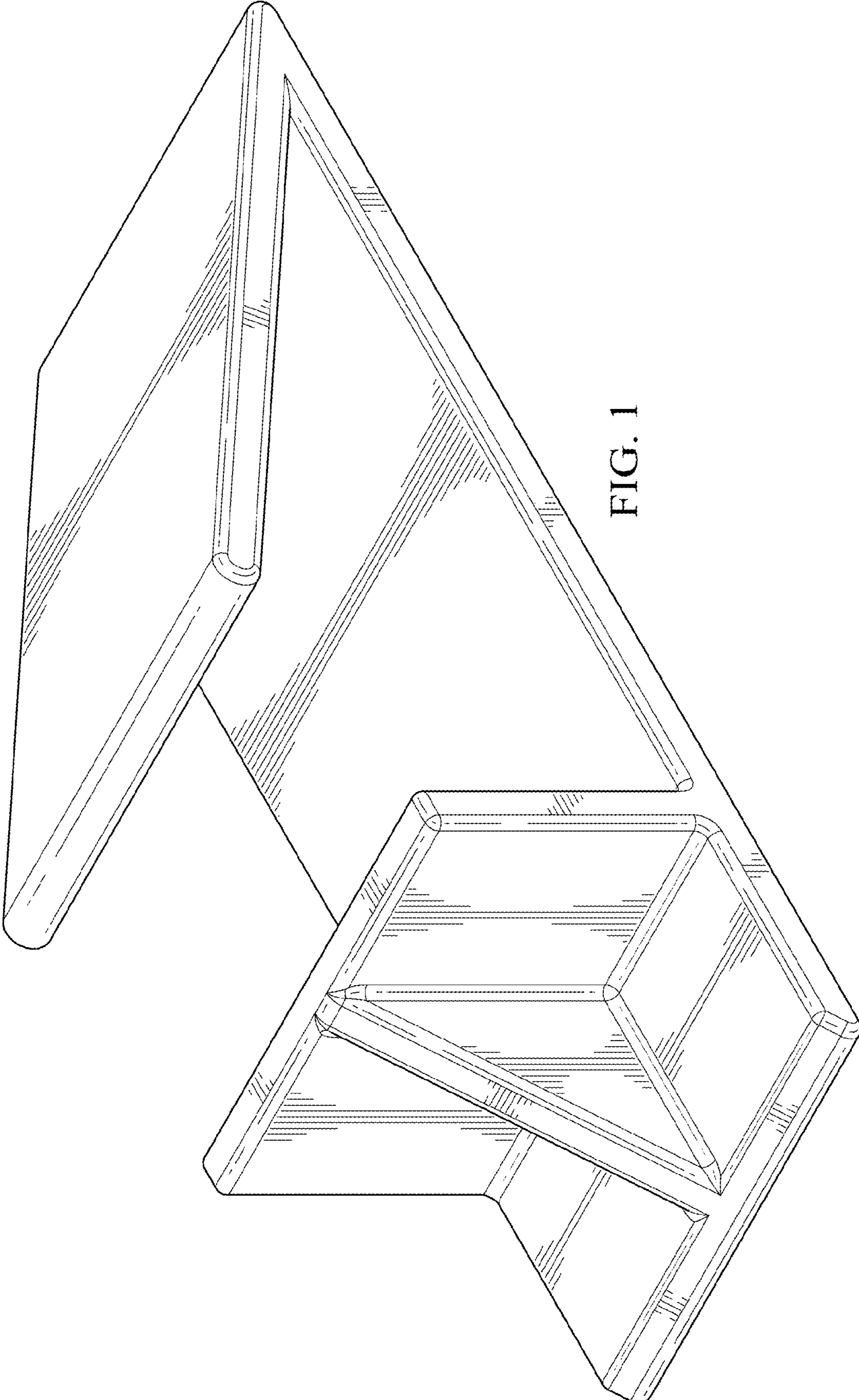


FIG. 1

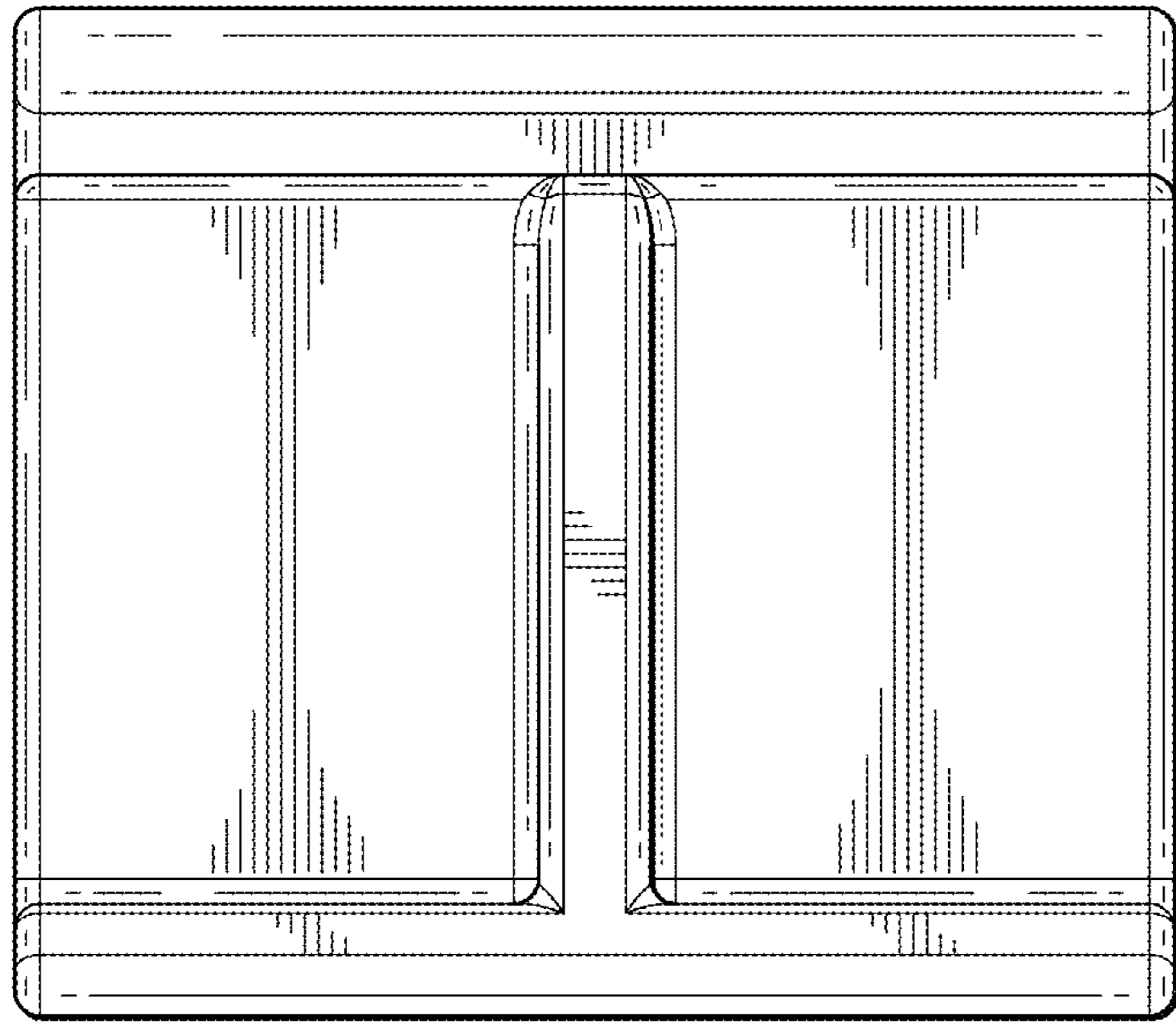


FIG. 2

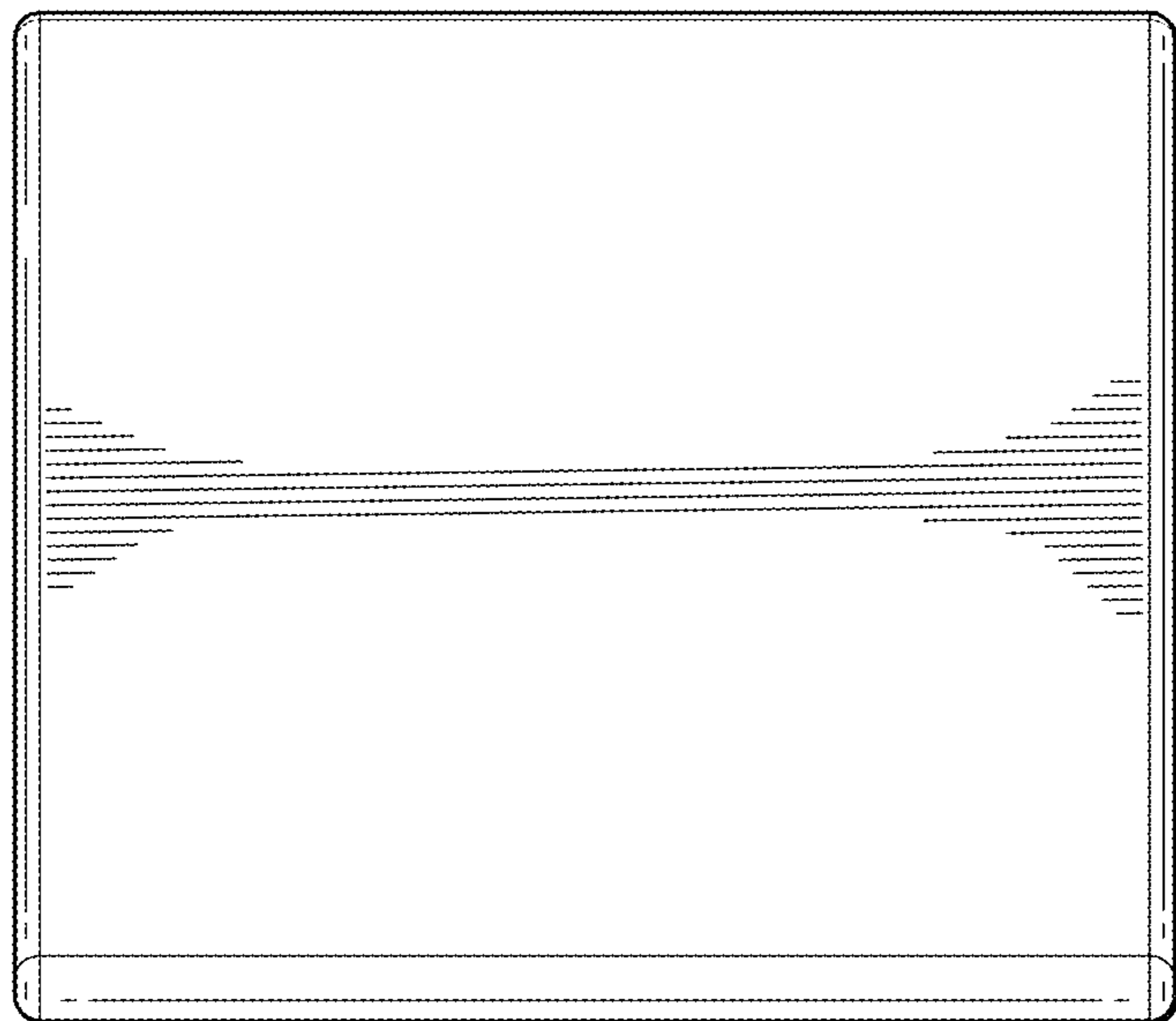


FIG. 3

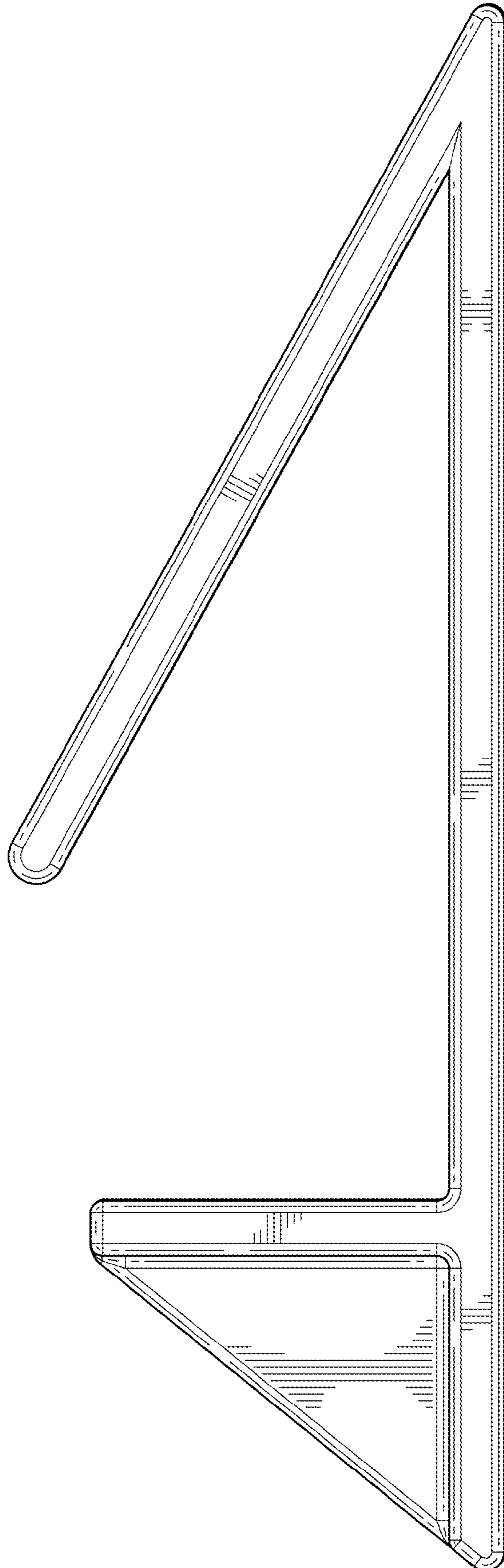


FIG. 4

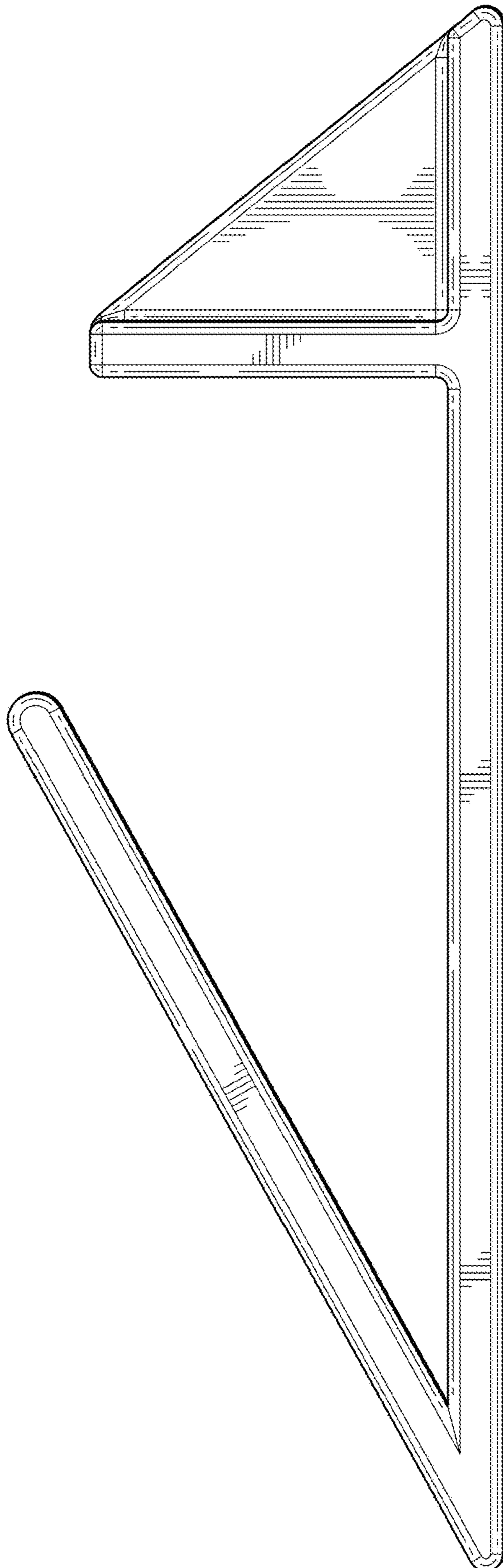


FIG. 5

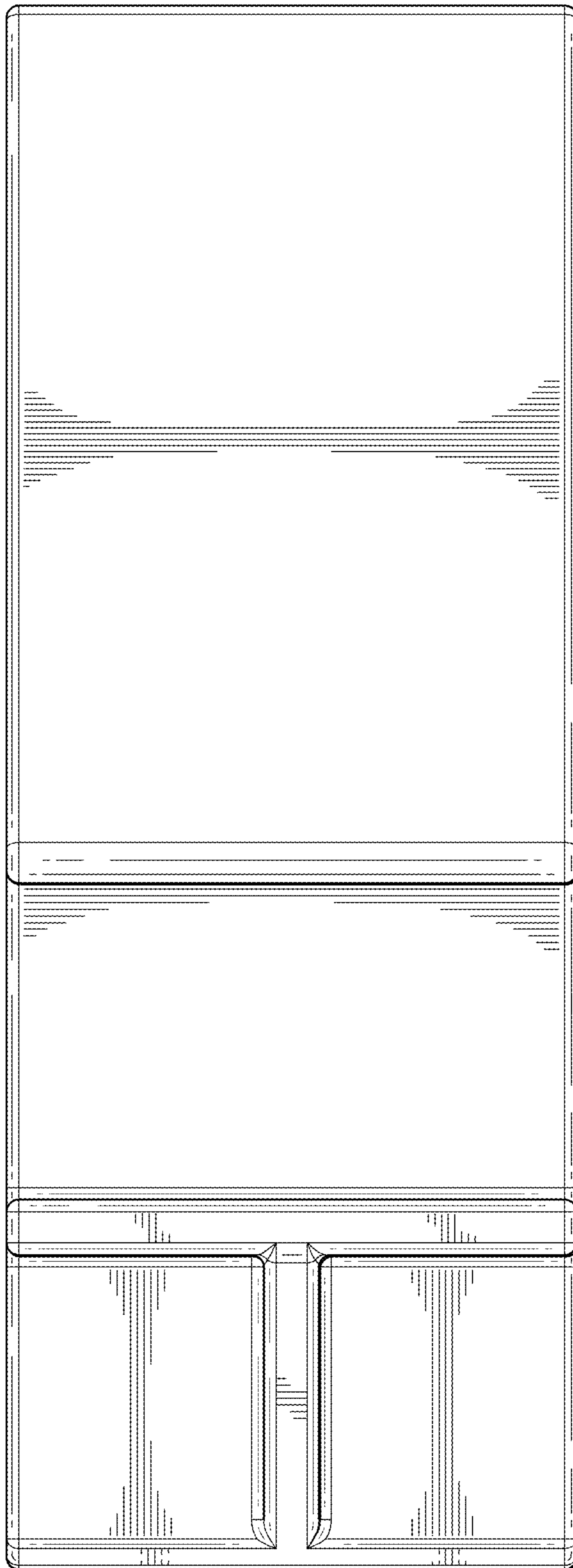


FIG. 6

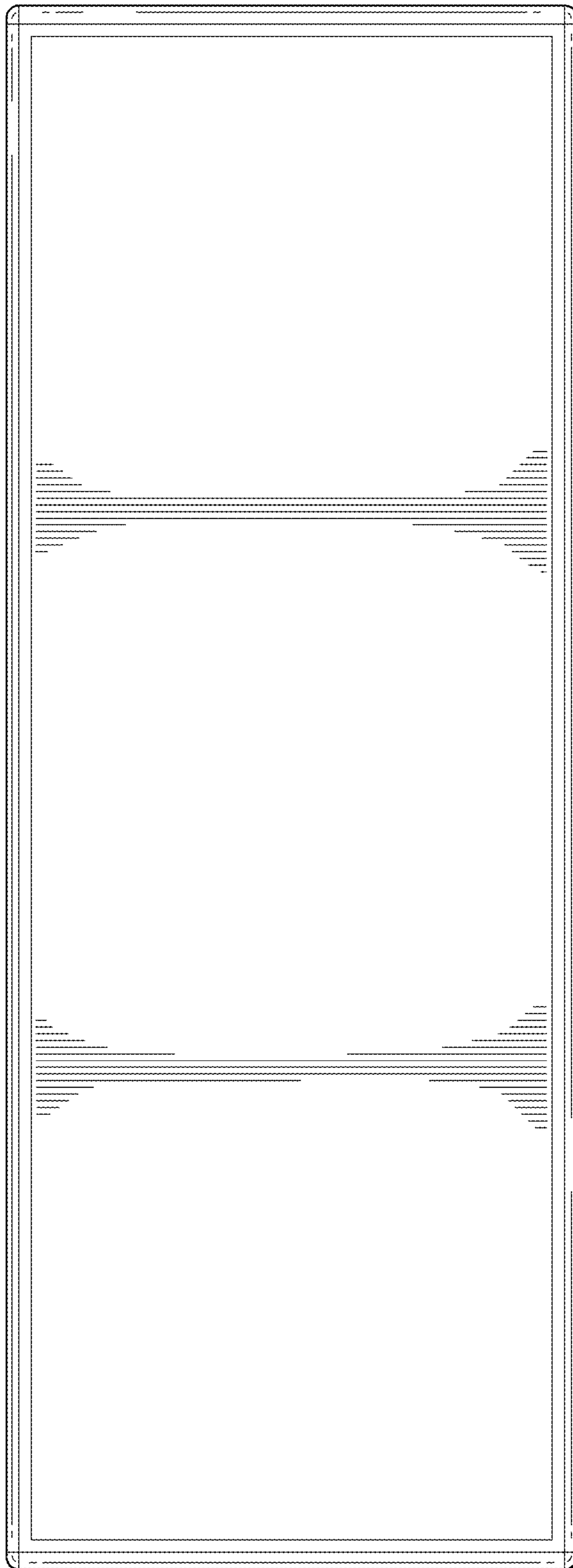


FIG. 7

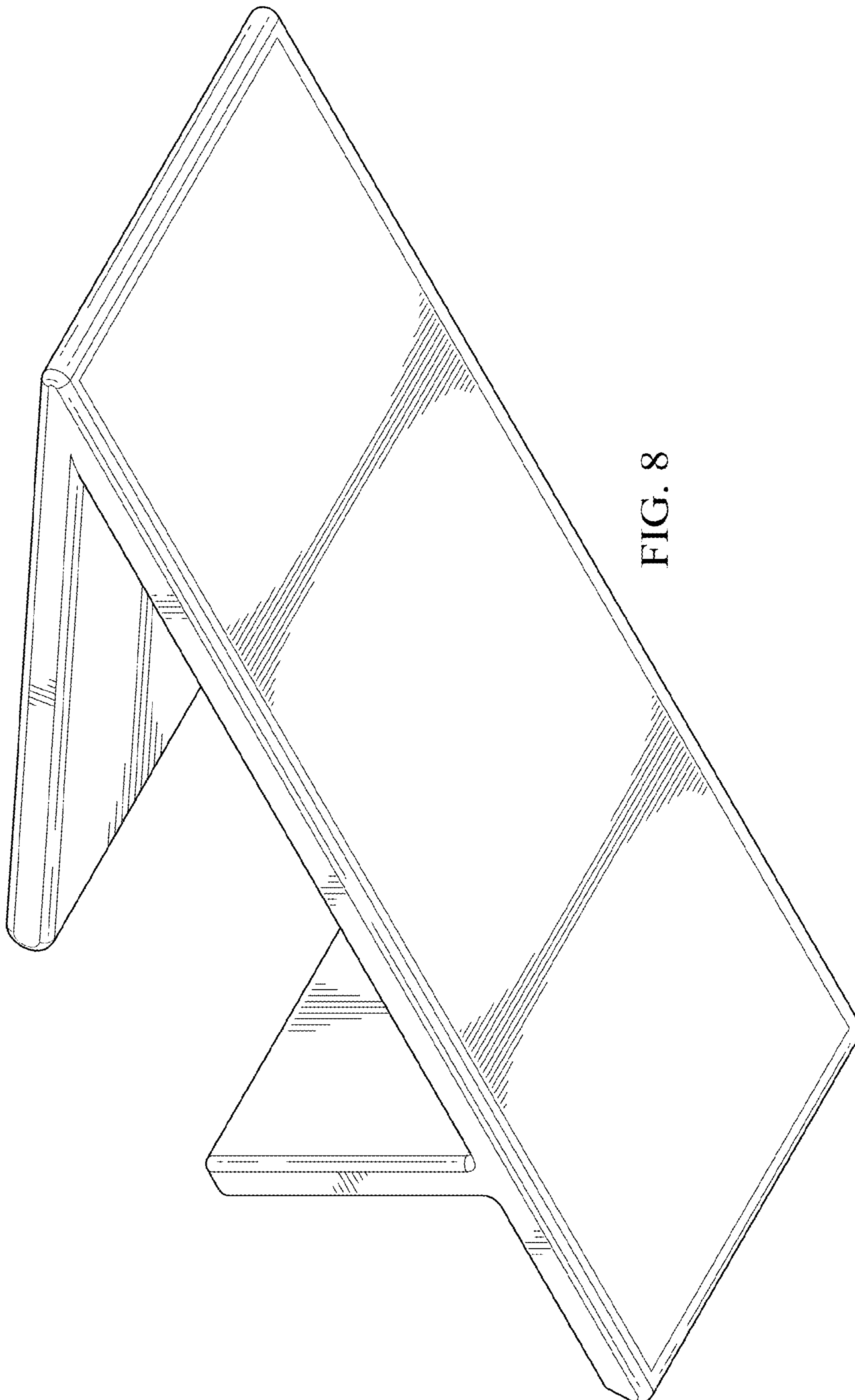


FIG. 8