



US00D920089S

(12) **United States Design Patent** (10) **Patent No.:** **US D920,089 S**  
**Olenick** (45) **Date of Patent:** **\*\* May 25, 2021**

(54) **CLIP-ON BONDING WASHER**

- (71) Applicant: **HUBBELL INCORPORATED**, Shelton, CT (US)
- (72) Inventor: **Thomas Edmund Olenick**, Manchester, NH (US)
- (73) Assignee: **Hubbell Incorporated**, Shelton, CT (US)
- (\*\*) Term: **15 Years**
- (21) Appl. No.: **29/725,571**
- (22) Filed: **Feb. 26, 2020**

**Related U.S. Application Data**

- (62) Division of application No. 29/679,854, filed on Feb. 11, 2019, now Pat. No. Des. 880,285, which is a division of application No. 29/627,491, filed on Nov. 28, 2017, now Pat. No. Des. 844,425, which is a division of application No. 29/539,273, filed on Sep. 11, 2015, now Pat. No. Des. 806,529, which is a division of application No. 29/450,142, filed on Mar. 15, 2013, now Pat. No. Des. 740,113.

- (51) **LOC (13) Cl.** ..... **08-08**
- (52) **U.S. Cl.**  
USPC ..... **D8/399**
- (58) **Field of Classification Search**  
USPC ..... D8/397, 394, 382, 349, 399, 395;  
411/427, 374  
CPC ..... A61B 17/0401; E04D 13/1476; E04G  
25/065; F16B 41/002; F16B 23/0061;  
F16B 37/14; F16B 35/00  
See application file for complete search history.

(56) **References Cited**

**U.S. PATENT DOCUMENTS**

- 881,757 A 3/1908 Winsor
- 1,857,488 A 5/1932 Weeks
- D220,424 S 4/1971 Hindenburg

(Continued)

**OTHER PUBLICATIONS**

Burndy/Wiley Wire Management; ACME Cable Clip page, (c) 2012 Burndy LLC.

(Continued)

*Primary Examiner* — Cynthia R Underwood

(74) *Attorney, Agent, or Firm* — Dickinson Wright PLLC

(57) **CLAIM**

The ornamental design for a clip-on bonding washer, as shown and described.

**DESCRIPTION**

FIG. 1 is a perspective view of a clip-on bonding washer according to a first embodiment of the invention, taken from the top, front and right side thereof;

FIG. 2 is a perspective view of the clip-on bonding washer of FIG. 1 taken from the top, front and left side thereof;

FIG. 3 is a perspective view of the clip-on bonding washer of FIG. 1 taken from the bottom, front and right side thereof;

FIG. 4 is a perspective view of the clip-on bonding washer of FIG. 1 taken from the bottom, front and left side thereof;

FIG. 5 is a top plan view of the clip-on bonding washer of FIG. 1;

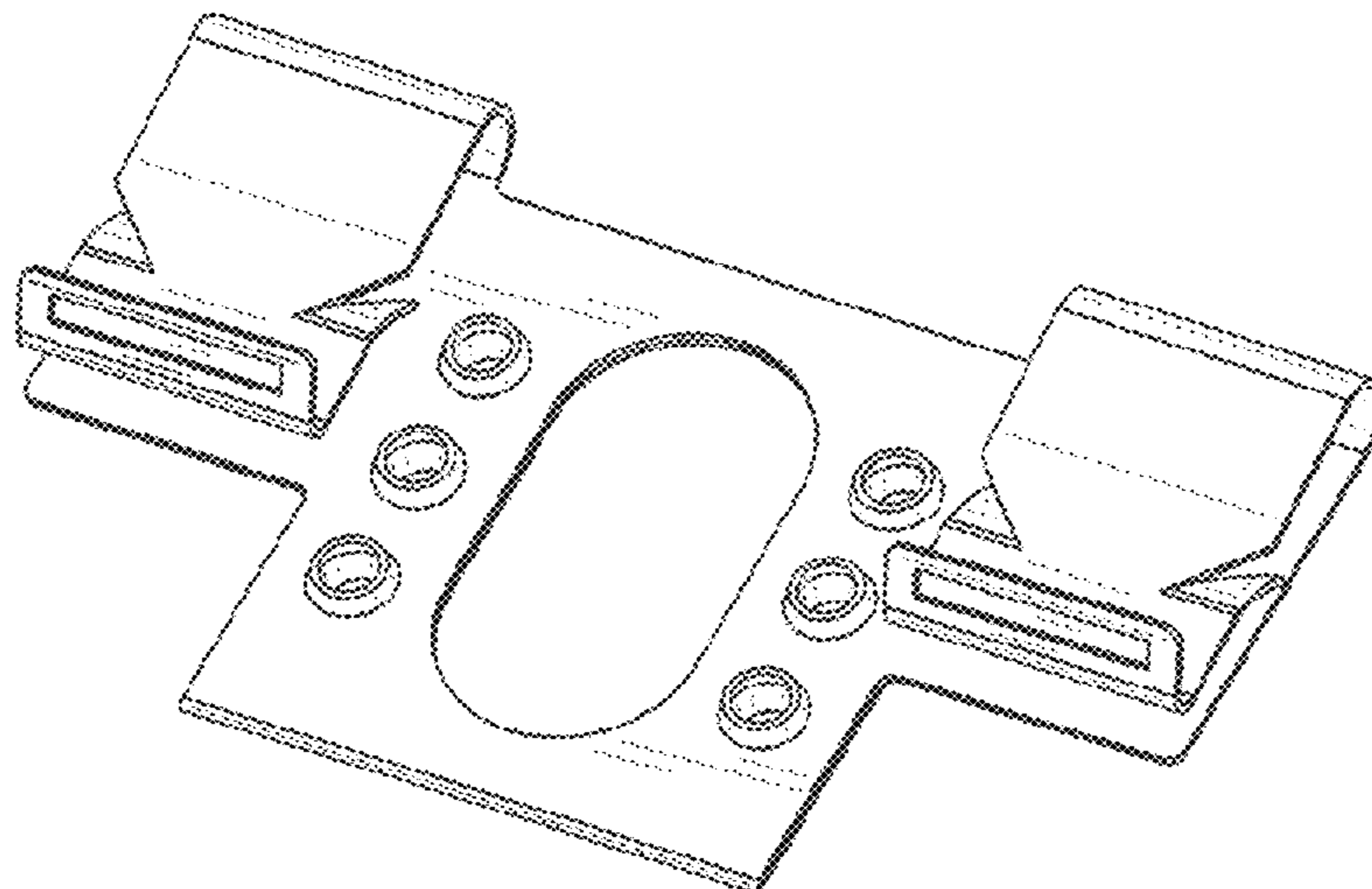
FIG. 6 is a bottom plan view of the clip-on bonding washer of FIG. 1;

FIG. 7 is a right side elevational view of the clip-on bonding washer of FIG. 1, the opposite side being the mirror image of that shown;

FIG. 8 is a front elevational view of the clip-on bonding washer of FIG. 1; and,

FIG. 9 is a rear elevational view of the clip-on bonding washer of FIG. 1.

**1 Claim, 4 Drawing Sheets**



(56)

References Cited

U.S. PATENT DOCUMENTS

3,810,069 A 5/1974 Jaconette  
 3,903,671 A 9/1975 Cuin  
 3,992,897 A 11/1976 Loos  
 D280,973 S 10/1985 Ferrell  
 4,993,959 A 2/1991 Randolph  
 D363,453 S \* 10/1995 Herdt ..... D11/78.1  
 5,681,191 A 10/1997 Robicheau et al.  
 5,697,127 A \* 12/1997 Tyler ..... A45C 1/06  
 206/69  
 D414,744 S 10/1999 Surinak  
 6,106,310 A 8/2000 Davis  
 6,276,947 B1 8/2001 Homfeldt et al.  
 D459,302 S 6/2002 Malin  
 6,457,218 B1 10/2002 Lawrence  
 7,128,583 B2 10/2006 Tsuo  
 D537,329 S \* 2/2007 Blanton ..... D8/395  
 D537,331 S \* 2/2007 Hill ..... D8/395  
 D539,291 S \* 3/2007 Li ..... D14/447  
 D552,462 S 10/2007 Boyd et al.  
 D570,247 S 6/2008 Hajianpour  
 D577,977 S 10/2008 Hernandez  
 D581,311 S \* 11/2008 Cornett ..... D11/78.1  
 D597,827 S \* 8/2009 Brassard ..... D8/395  
 D615,497 S 5/2010 Woodward  
 D629,364 S 12/2010 Smith  
 D636,293 S \* 4/2011 Dolce ..... D11/222  
 D651,569 S 1/2012 Kiely  
 8,092,129 B2 1/2012 Wiley  
 D657,316 S 4/2012 Kiely  
 D668,214 S 10/2012 O'Brien  
 D674,274 S 1/2013 Gasparino  
 D696,570 S 12/2013 Mirer et al.  
 8,714,496 B2 \* 5/2014 Blanchard ..... H02G 3/32  
 248/74.3  
 D707,545 S 6/2014 Schopf  
 D708,284 S \* 7/2014 Litwin ..... D21/789  
 D710,741 S \* 8/2014 Hirschorn ..... D11/78.1  
 D711,284 S \* 8/2014 Crumbley ..... D11/215  
 D715,630 S 10/2014 Szymanski  
 D715,631 S 10/2014 Szymanski  
 D715,686 S 10/2014 Crafton et al.  
 D716,137 S 10/2014 Szymanski

D716,138 S 10/2014 Szymanski  
 9,010,697 B1 \* 4/2015 Kirschner ..... F16L 3/1075  
 248/74.4  
 D736,853 S \* 8/2015 Brown ..... D19/34  
 D737,564 S \* 9/2015 Hamilton ..... D2/976  
 D756,208 S 5/2016 Downs  
 D756,211 S 5/2016 Downs  
 D757,533 S \* 5/2016 Ormsbee ..... D8/395  
 D759,475 S \* 6/2016 Banno ..... D8/395  
 D770,887 S \* 11/2016 Sudol ..... D8/395  
 D781,571 S \* 3/2017 Moerer ..... D3/215  
 D782,565 S \* 3/2017 Paterson ..... D17/20  
 9,603,440 B2 \* 3/2017 Nguyen ..... A45F 5/00  
 D786,042 S 5/2017 Bridges  
 9,752,604 B2 \* 9/2017 Pereira ..... A42B 3/04  
 9,826,810 B2 11/2017 Singer  
 D808,787 S \* 1/2018 Kinskey ..... D8/395  
 D817,804 S \* 5/2018 Antinone ..... D11/78.1  
 D818,357 S 5/2018 Cummings  
 D818,811 S \* 5/2018 Hattori ..... D8/397  
 D822,474 S \* 7/2018 Nguyen ..... D8/394  
 D836,431 S \* 12/2018 Frost ..... D8/396  
 D847,252 S \* 4/2019 Stringham ..... D17/20  
 D848,822 S \* 5/2019 Cooper ..... D8/356  
 D873,124 S \* 1/2020 Nguyen ..... D8/394  
 D891,240 S \* 7/2020 Buczynski ..... D8/395  
 D893,172 S \* 8/2020 Kennard ..... D3/221  
 2002/0166497 A1 \* 11/2002 Rae ..... B42D 9/005  
 116/237  
 2008/0053517 A1 \* 3/2008 Plaisted ..... H02S 20/23  
 136/251  
 2009/0069060 A1 \* 3/2009 Kim ..... H04M 1/6066  
 455/575.6  
 2010/0254123 A1 \* 10/2010 Brown ..... A42B 1/244  
 362/191  
 2016/0143425 A1 \* 5/2016 Tvrdy ..... A45F 5/02  
 24/3.12  
 2017/0363124 A1 12/2017 Brown

OTHER PUBLICATIONS

Burndy/Wiley WEEB Installation Instructions; WEEB-9.5 and WEEB-935 NL, (c) 2012 Burndy LLC.

\* cited by examiner

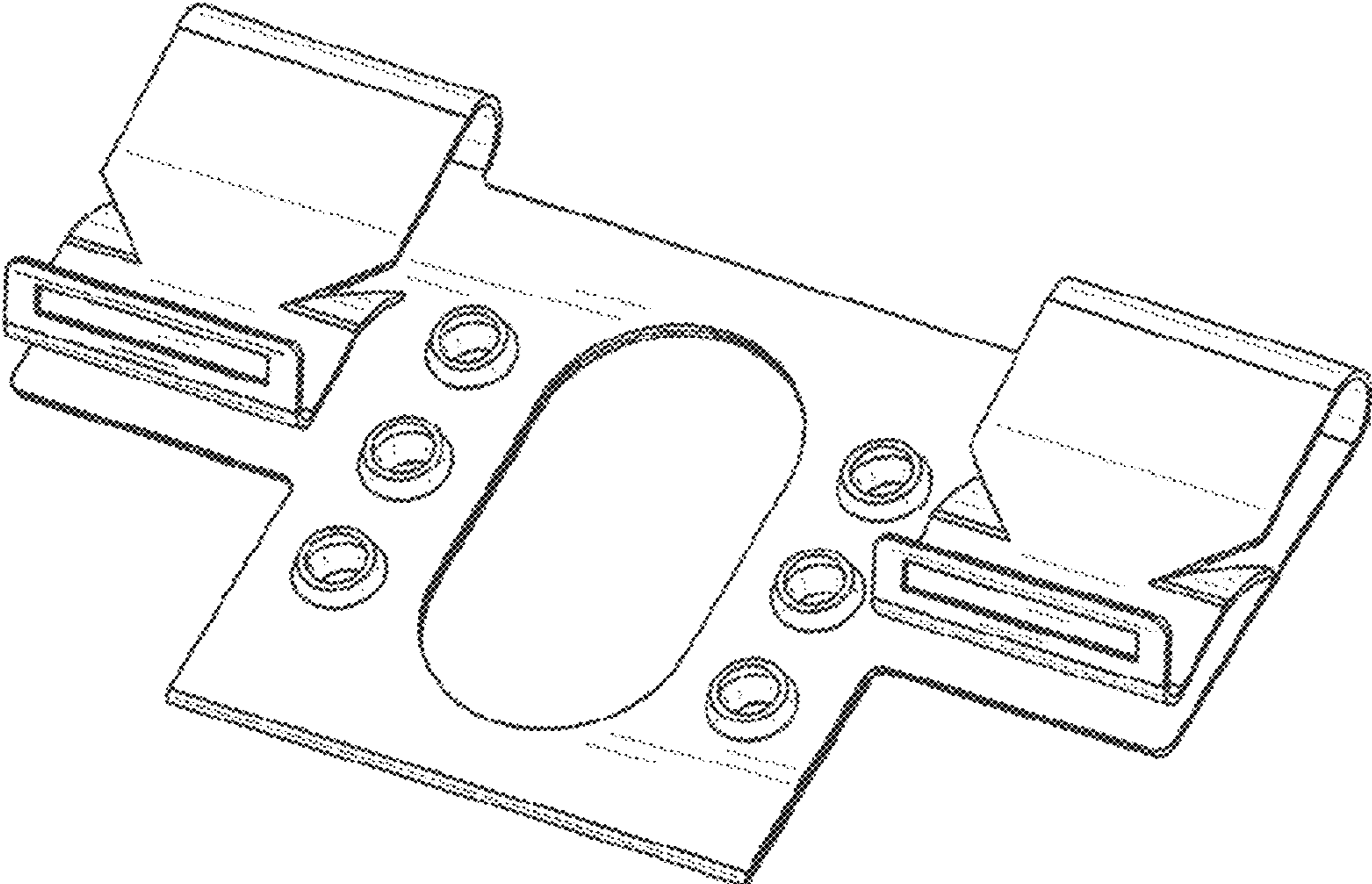


FIG. 1

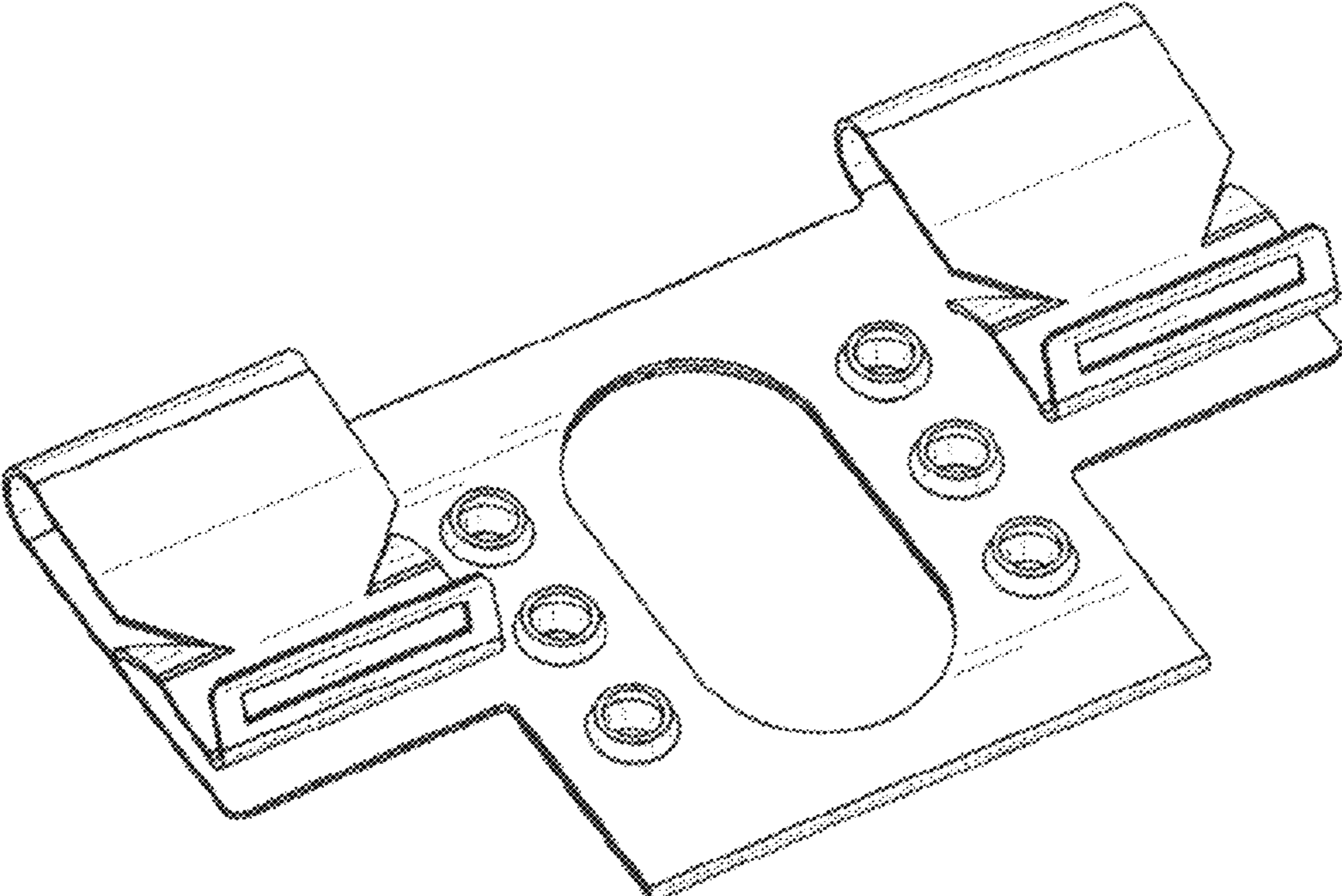


FIG. 2

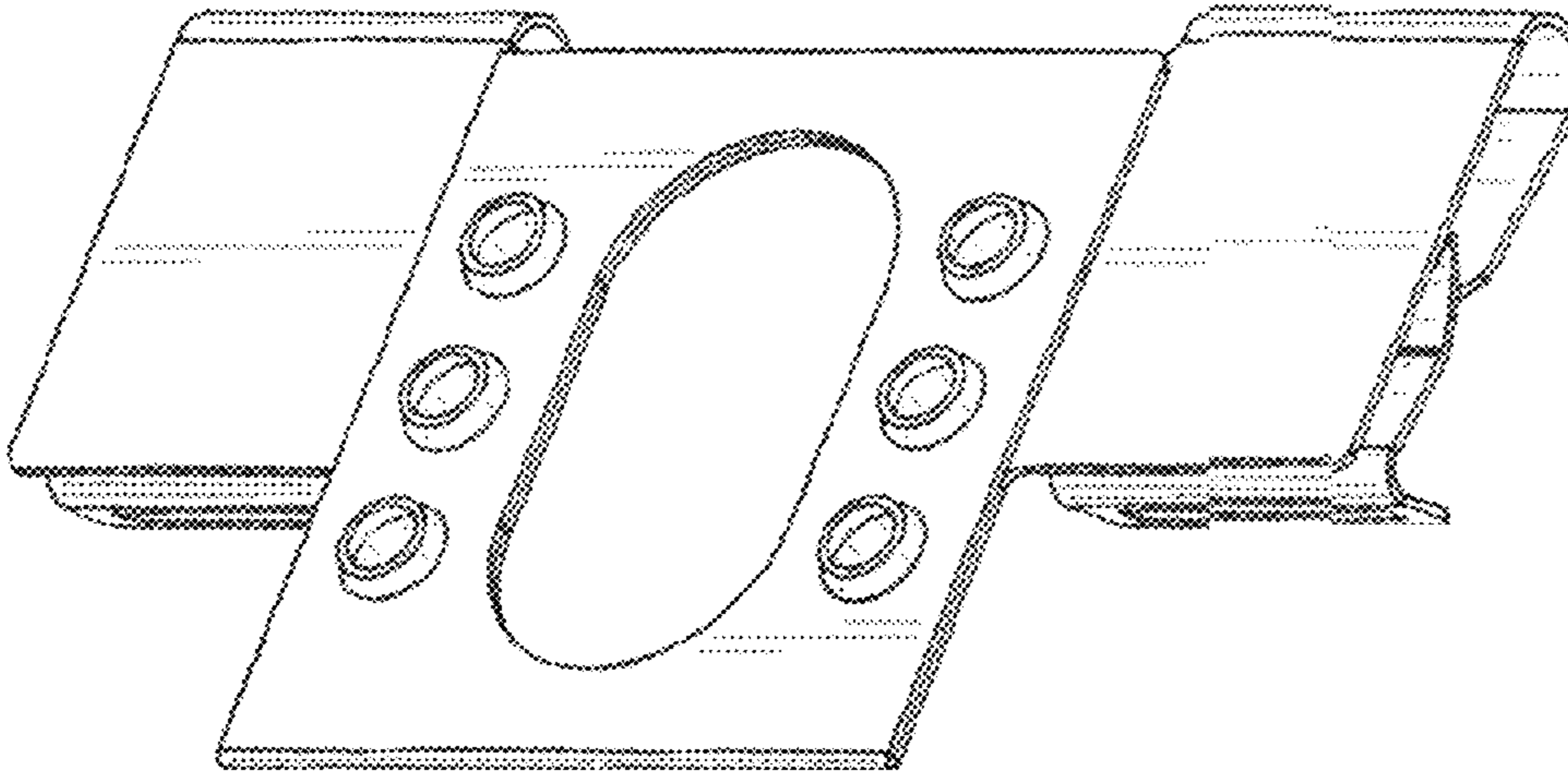


FIG. 3

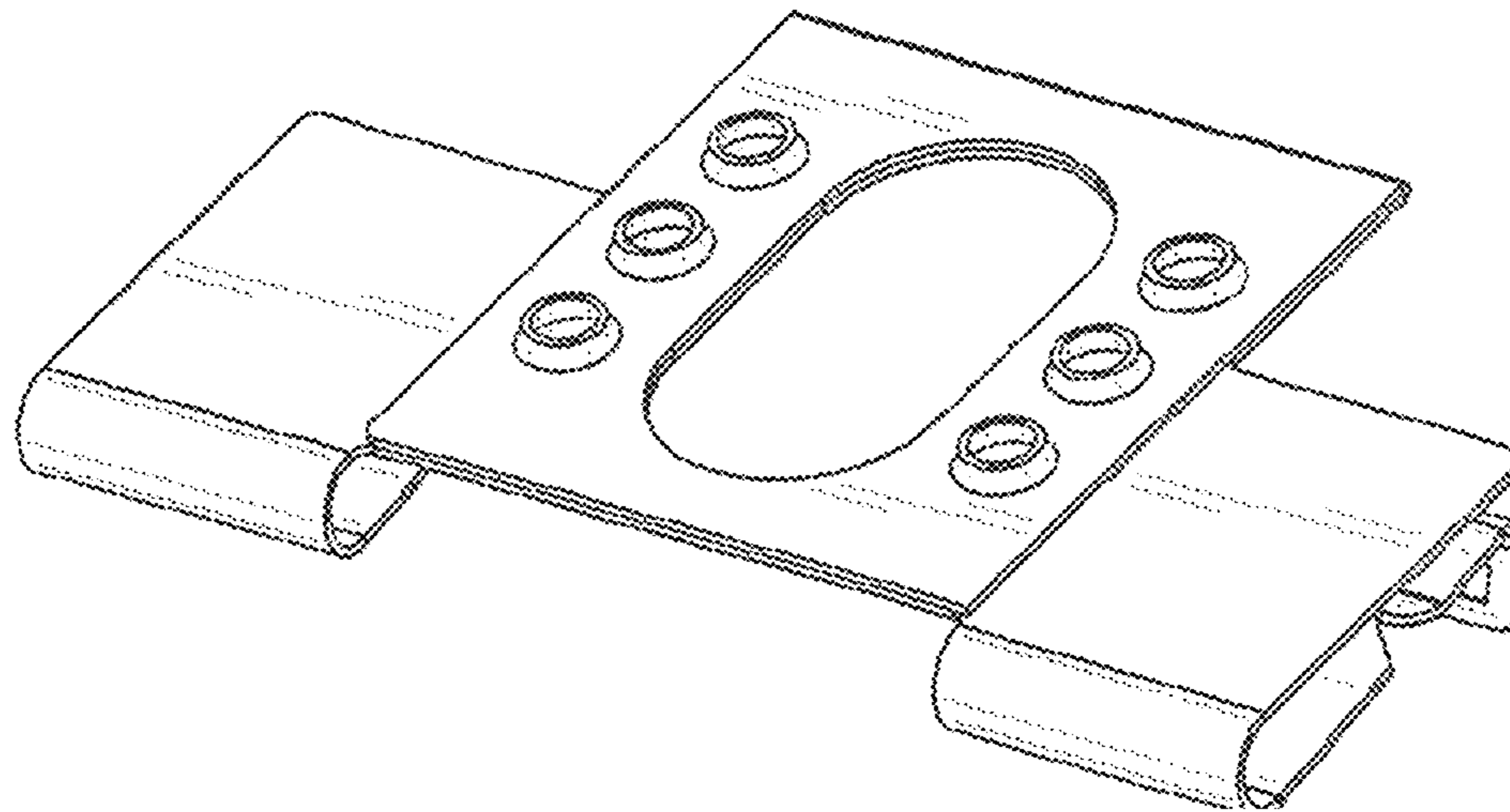


FIG. 4

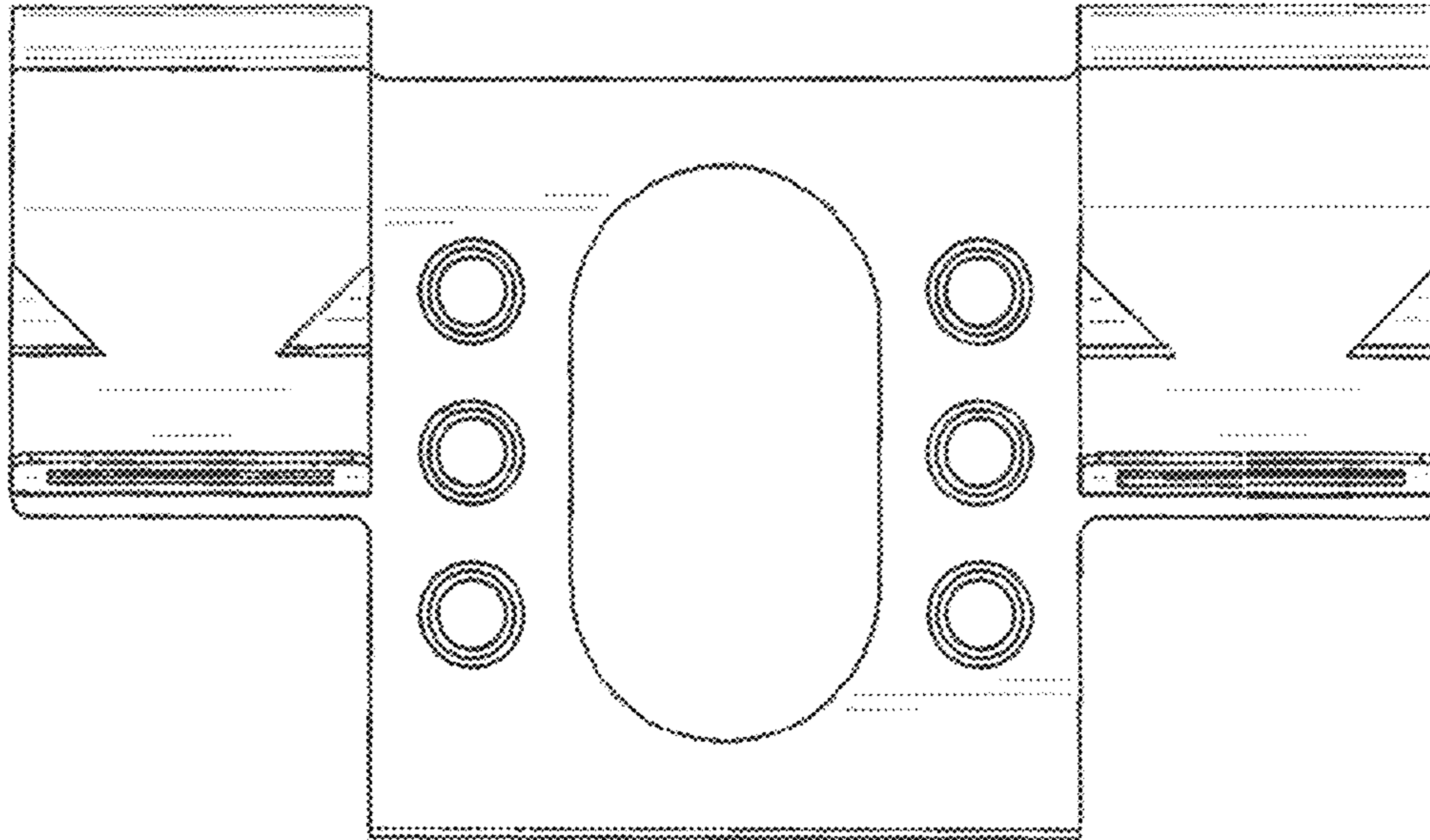


FIG. 5

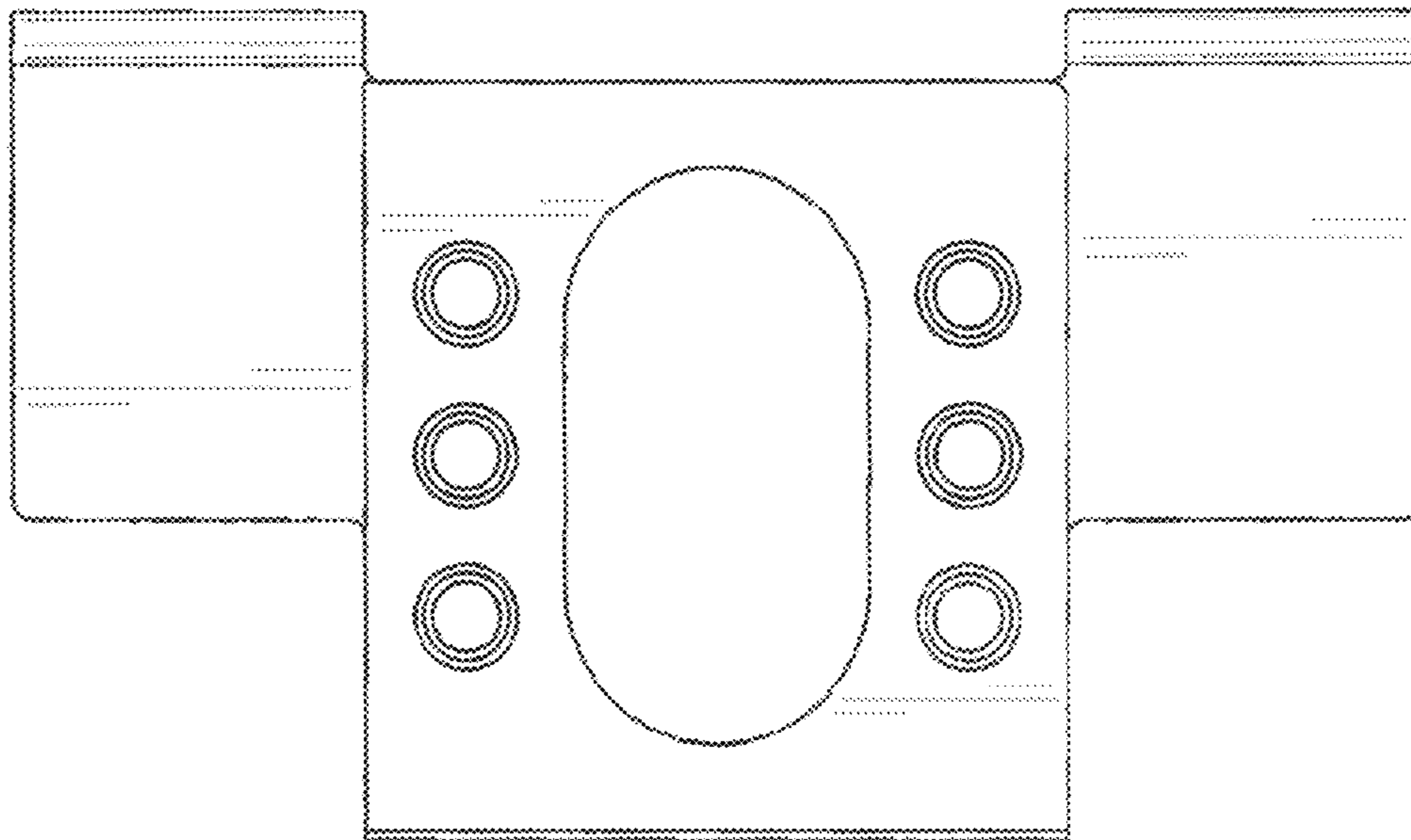


FIG. 6

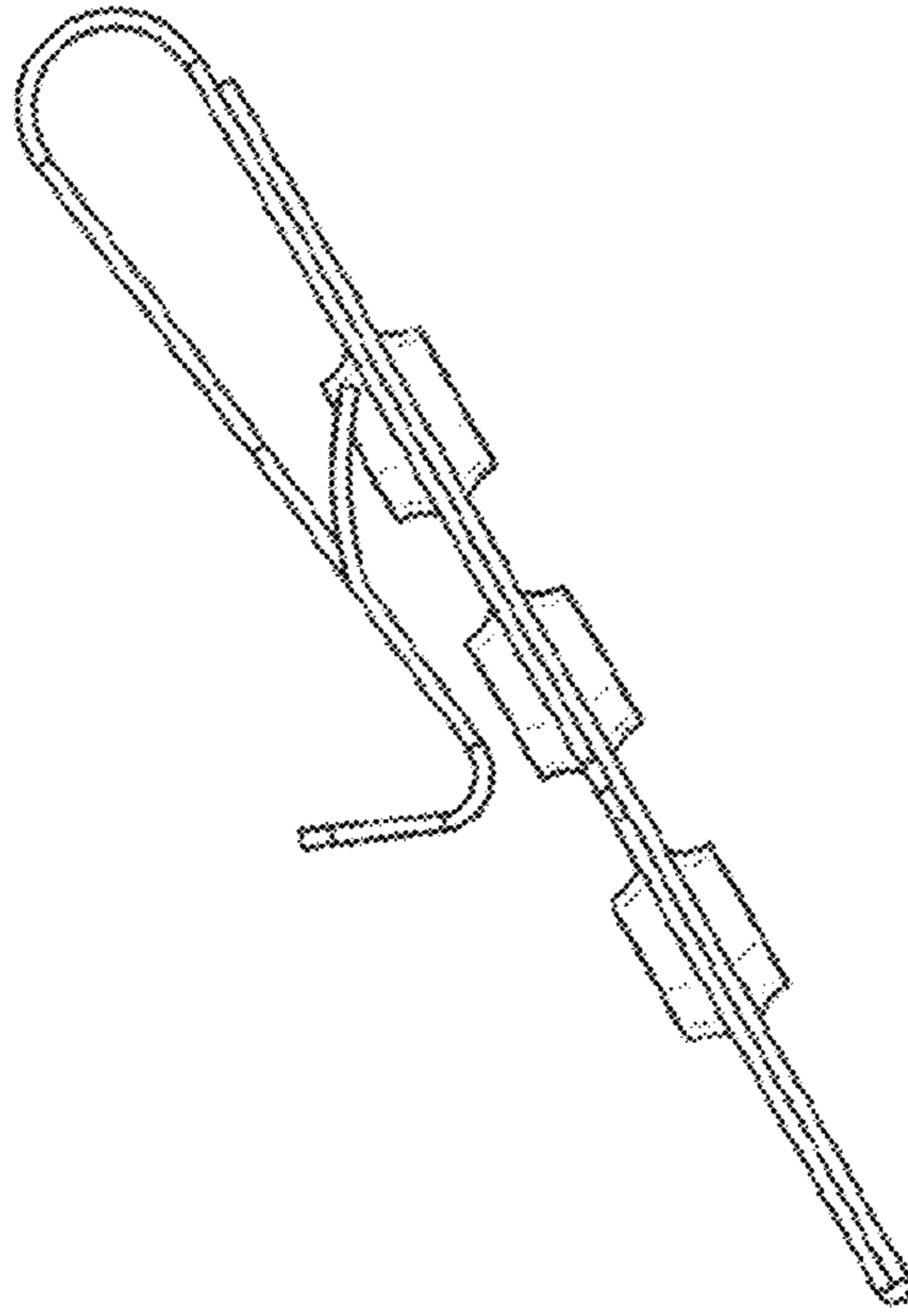


FIG. 7

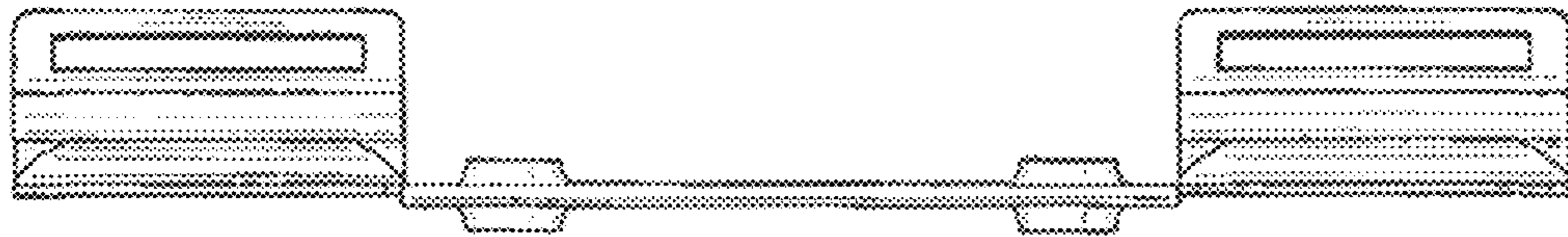


FIG. 8

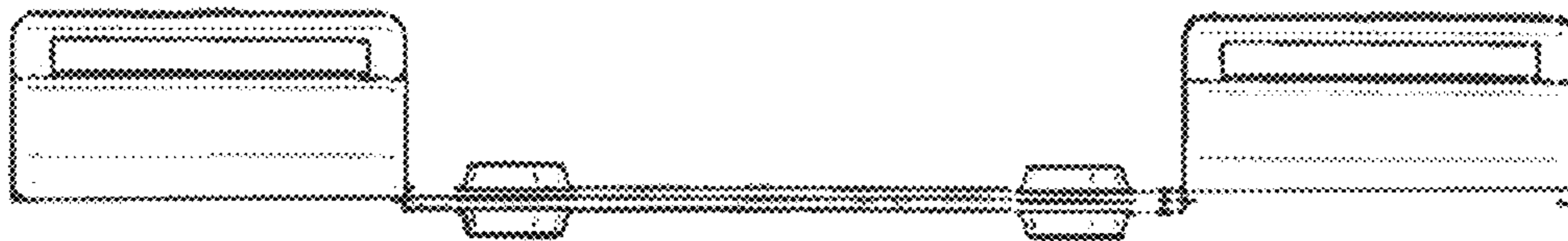


FIG. 9