



US00D920085S

(12) **United States Design Patent**
Mønsted

(10) **Patent No.:** **US D920,085 S**

(45) **Date of Patent:** **** May 25, 2021**

(54) **MOUNTING BRACKET FOR FLASHING**

(71) Applicant: **VKR HOLDING A/S**, Hørsholm (DK)

(72) Inventor: **David Damm Mønsted**, Børkop (DK)

(73) Assignee: **VKR HOLDING A/S**, Horsholm (DK)

(**) Term: **15 Years**

(21) Appl. No.: **29/669,818**

(22) Filed: **Nov. 12, 2018**

Related U.S. Application Data

(62) Division of application No. 29/561,921, filed on Apr. 21, 2016, now abandoned.

(51) **LOC (13) Cl.** **25-02**

(52) **U.S. Cl.**
USPC **D8/380**

(58) **Field of Classification Search**
USPC D8/349, 354, 373, 380, 381, 382;
D25/48.2, 199
CPC A47B 96/00; A47B 96/06; A47B 96/145;
E05D 15/0652; E04D 13/02; E04D
13/031; E04F 13/0805; E06B 1/66; E06B
1/68; E06B 1/70; Y10T 16/373; Y10T
16/376

See application file for complete search history.

(56) **References Cited**

U.S. PATENT DOCUMENTS

- 4,156,515 A * 5/1979 Mochly A47B 57/567
108/108
- 4,845,807 A * 7/1989 Rooney E05D 15/0652
16/94 R
- 5,398,902 A * 3/1995 Crowe E05D 15/0652
16/94 R
- D389,729 S * 1/1998 Boeshart D8/380
- D400,781 S * 11/1998 Wilkening D8/381
- D748,826 S * 2/2016 Norwood D25/199

- D775,942 S * 1/2017 Chapman D8/400
- D845,749 S * 4/2019 Mønsted D8/380
- 2005/0086878 A1* 4/2005 Feucht E04D 13/031
52/200

(Continued)

FOREIGN PATENT DOCUMENTS

EM 003076470-0001 * 5/2016

Primary Examiner — Leanne Was-Englehart

(74) *Attorney, Agent, or Firm* — Parker Poe Adams & Bernstein, LLP

(57) **CLAIM**

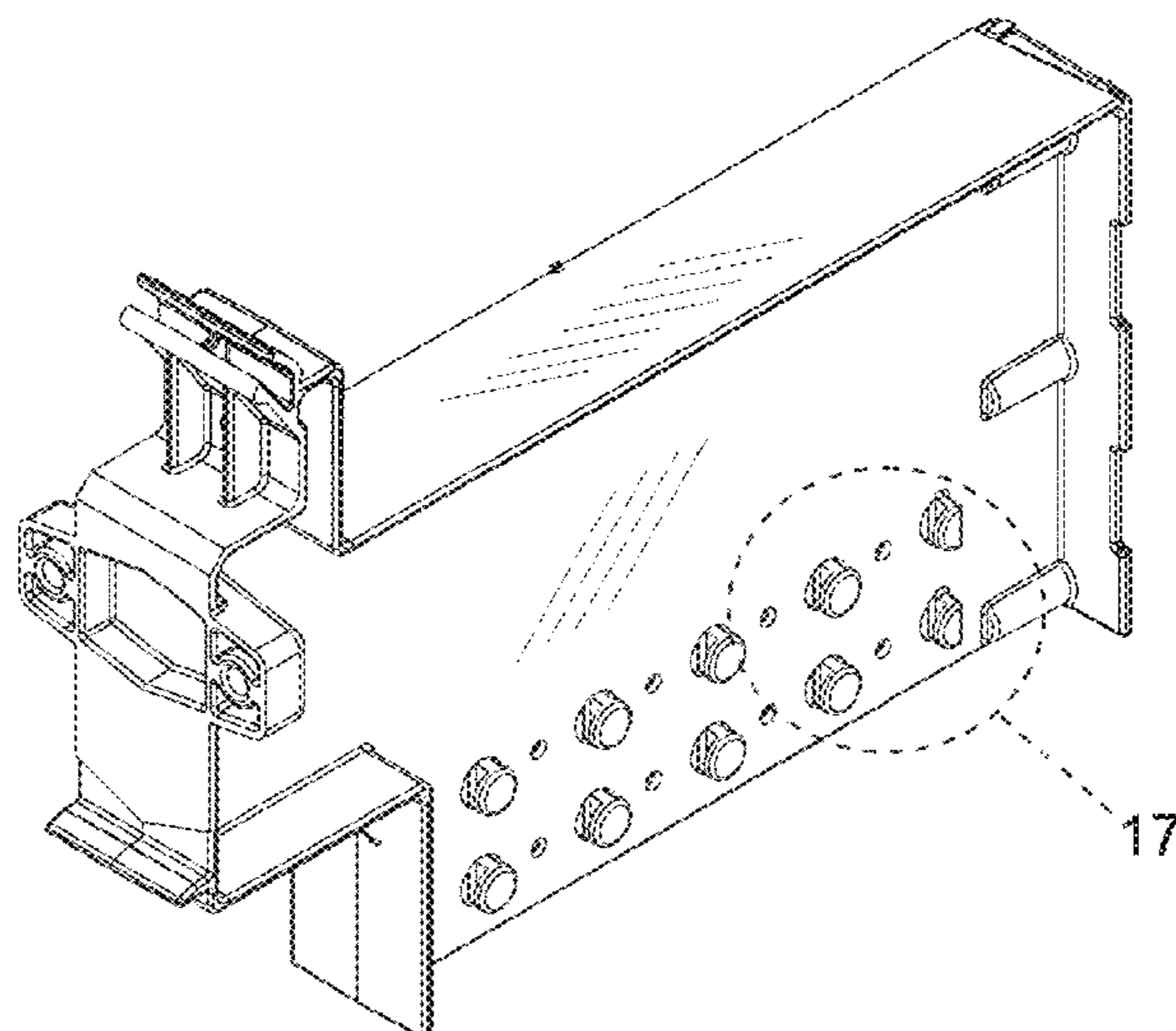
The ornamental design for a mounting bracket for flashing, as shown and described.

DESCRIPTION

FIG. 1 is a front, right side perspective view;
 FIG. 2 is a top plan view;
 FIG. 3 is a front elevation view;
 FIG. 4 is a right side elevation view;
 FIG. 5 is a left side elevation view;
 FIG. 6 is a rear elevation view;
 FIG. 7 is a bottom plan view;
 FIG. 8 is a rear, right side perspective view;
 FIG. 9 is a front, right side perspective view;
 FIG. 10 is a top plan view;
 FIG. 11 is a front elevation view;
 FIG. 12 is a right side elevation view;
 FIG. 13 is a left side elevation view;
 FIG. 14 is a rear elevation view;
 FIG. 15 is a bottom plan view;
 FIG. 16 is a rear, right side perspective view;
 FIG. 17 is an enlarged front, right side perspective view, taken at 17 in FIG. 1; and,
 FIG. 18 is an enlarged bottom plan view, taken at 18 in FIG. 7.

Any broken lines shown in the figures represent portions of the mounting bracket for flashing that form no part of the claimed design.

1 Claim, 18 Drawing Sheets



(56)

References Cited

U.S. PATENT DOCUMENTS

2011/0185659 A1* 8/2011 Lorenz E04F 13/0805
52/302.1
2015/0069196 A1* 3/2015 Chen A47B 47/0058
248/218.4
2017/0079459 A1* 3/2017 Filko E06B 9/24
2018/0070724 A1* 3/2018 Chen A47B 88/43

* cited by examiner

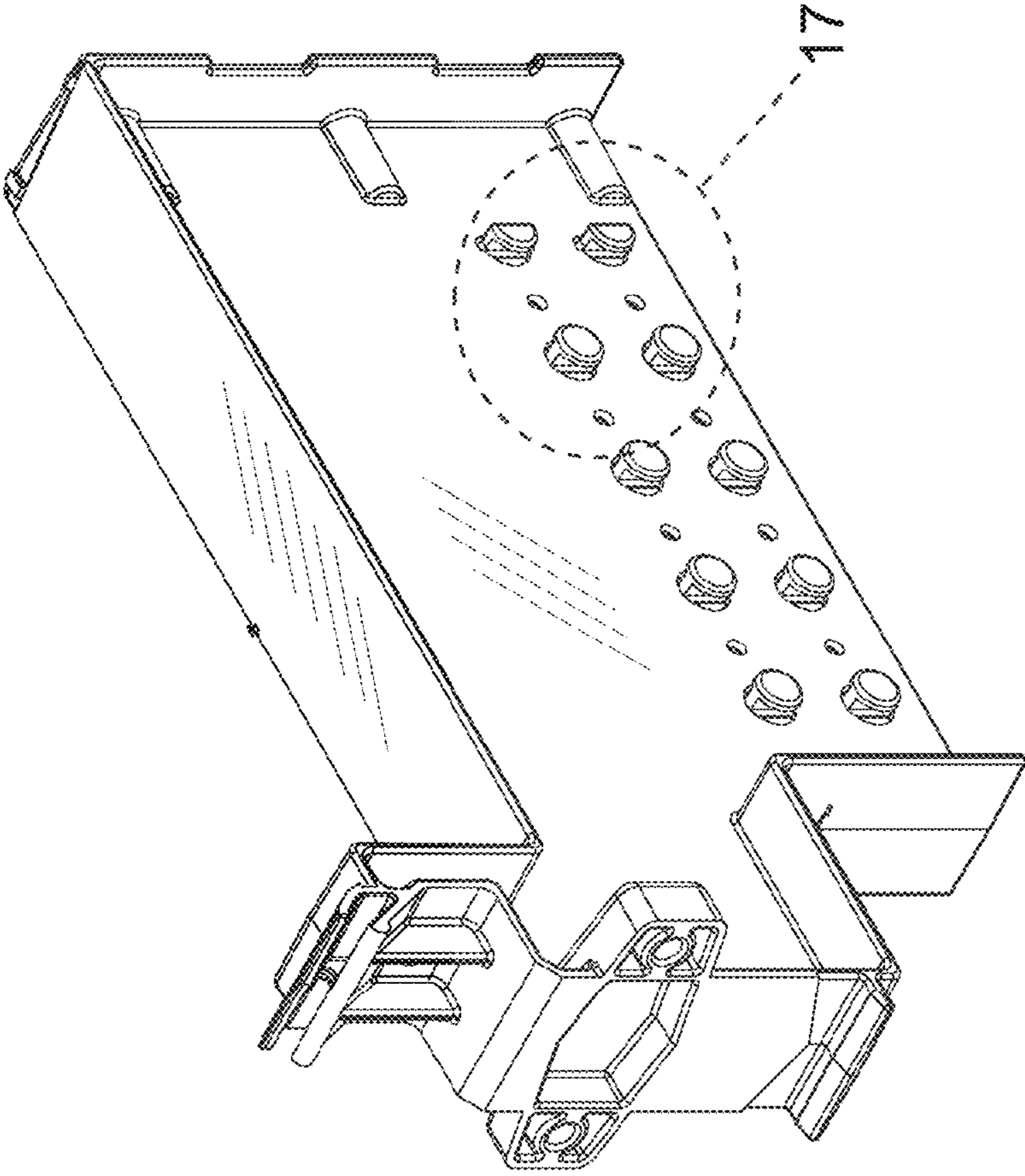


Fig. 1

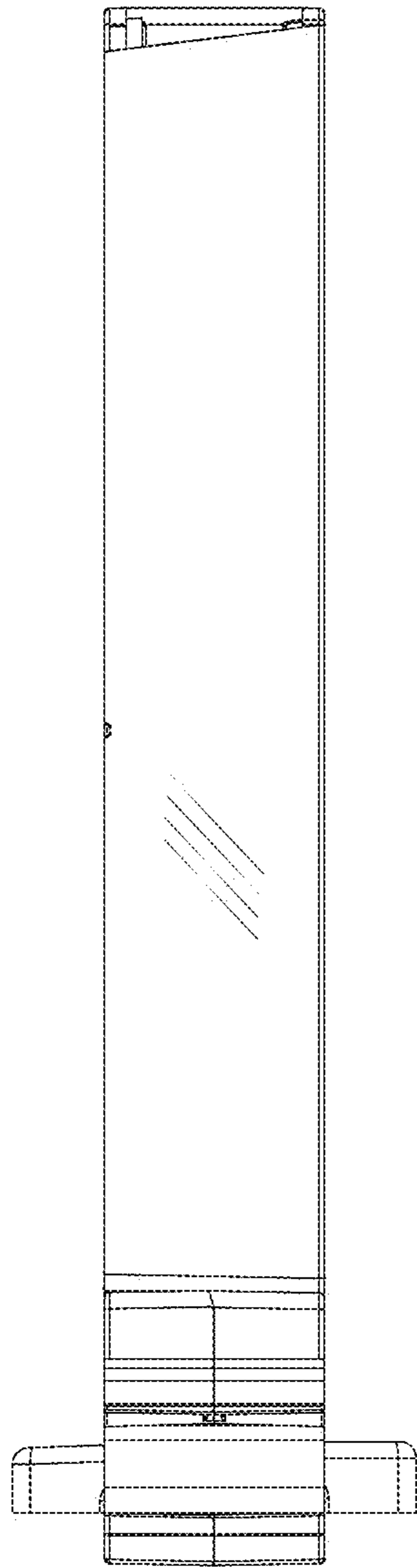


Fig. 2

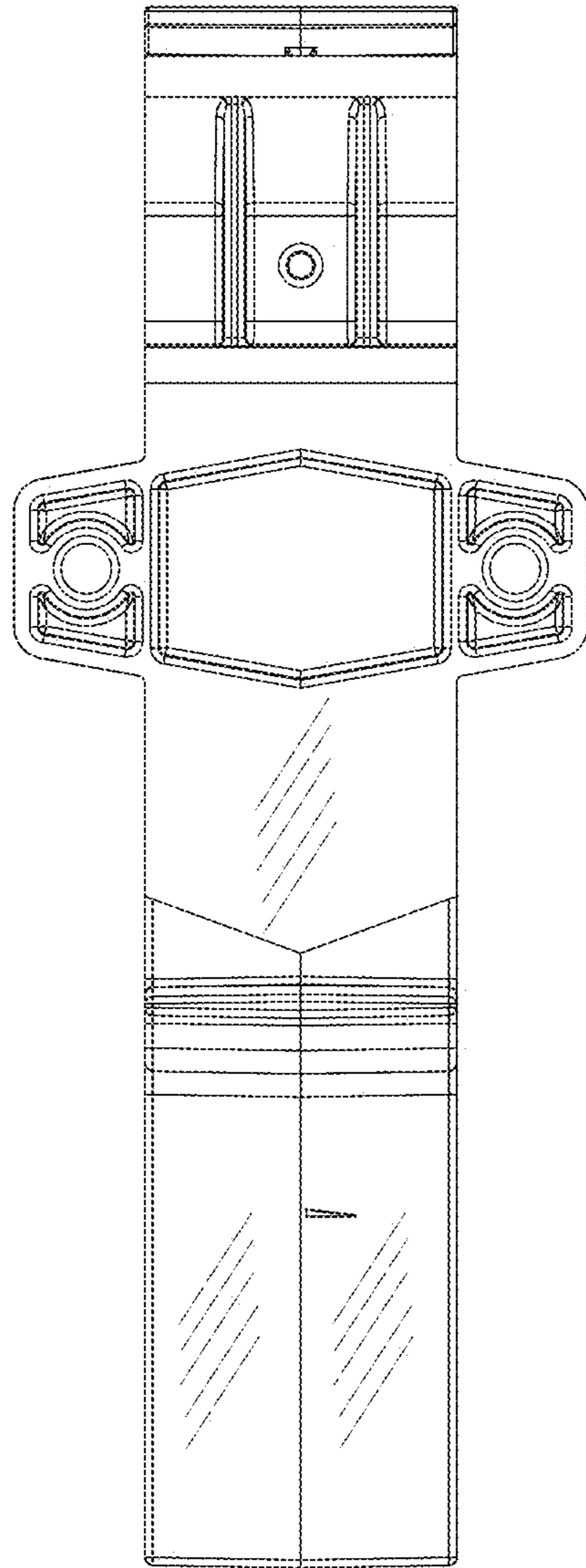


Fig. 3

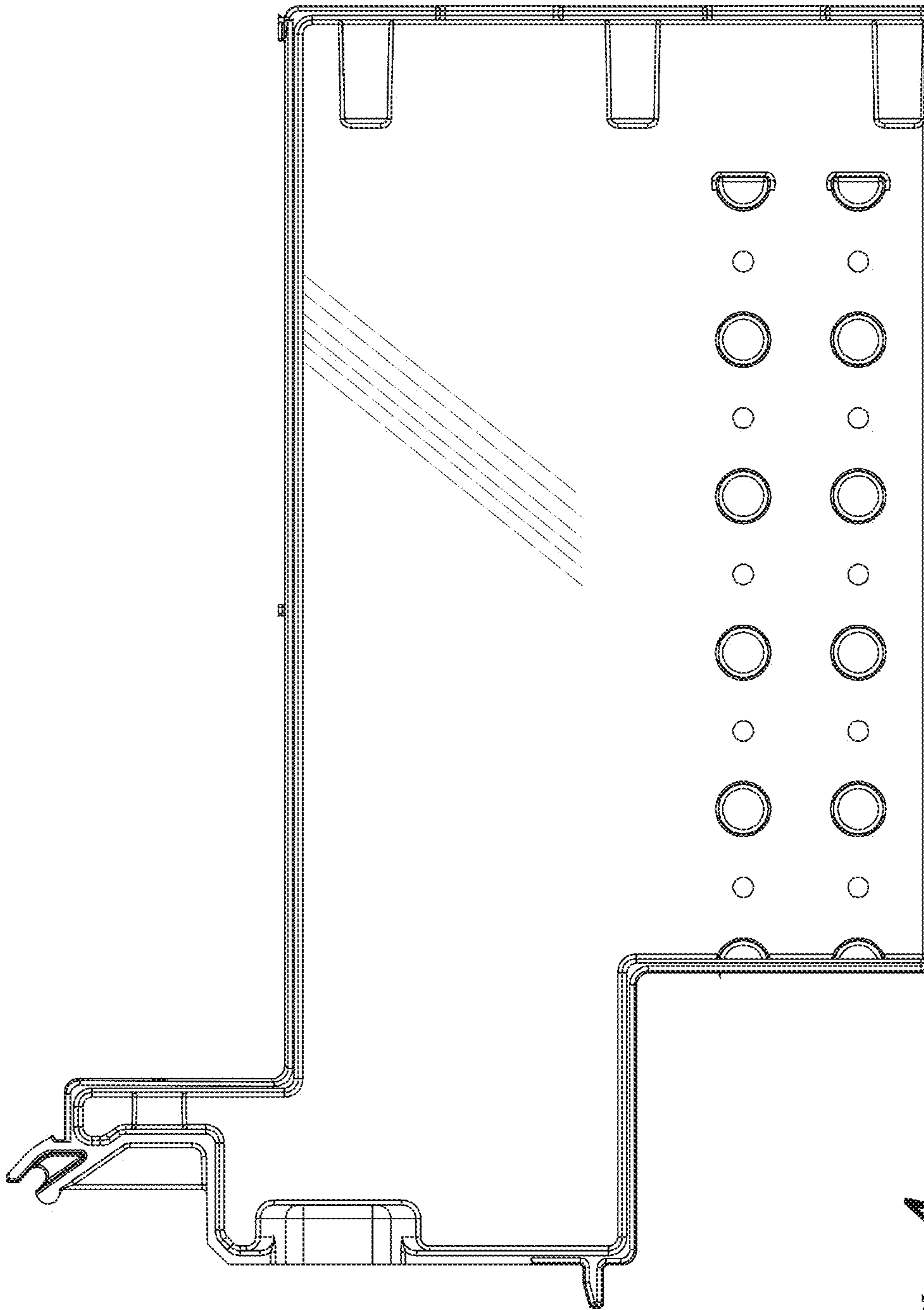


Fig. 4

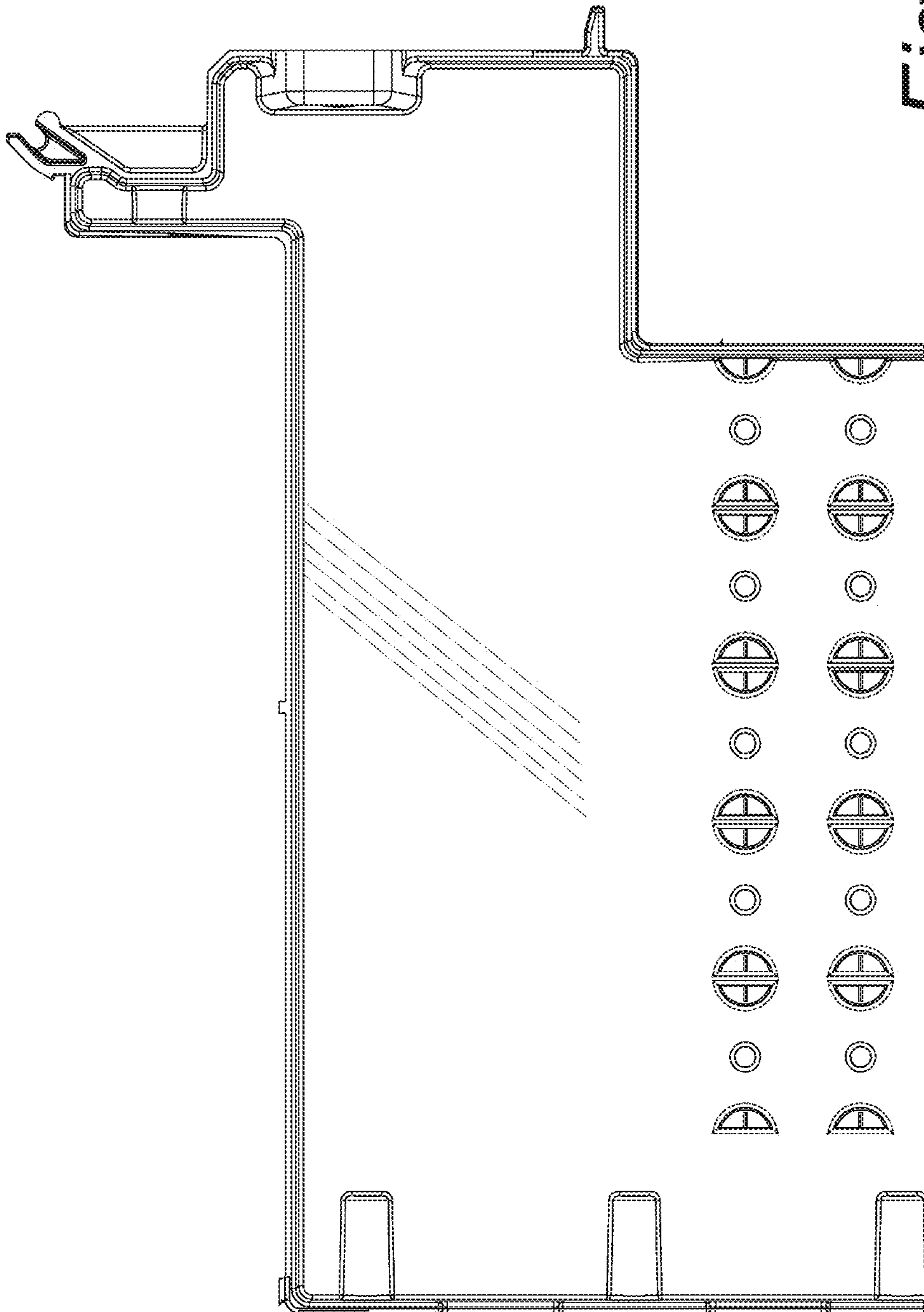


Fig. 5

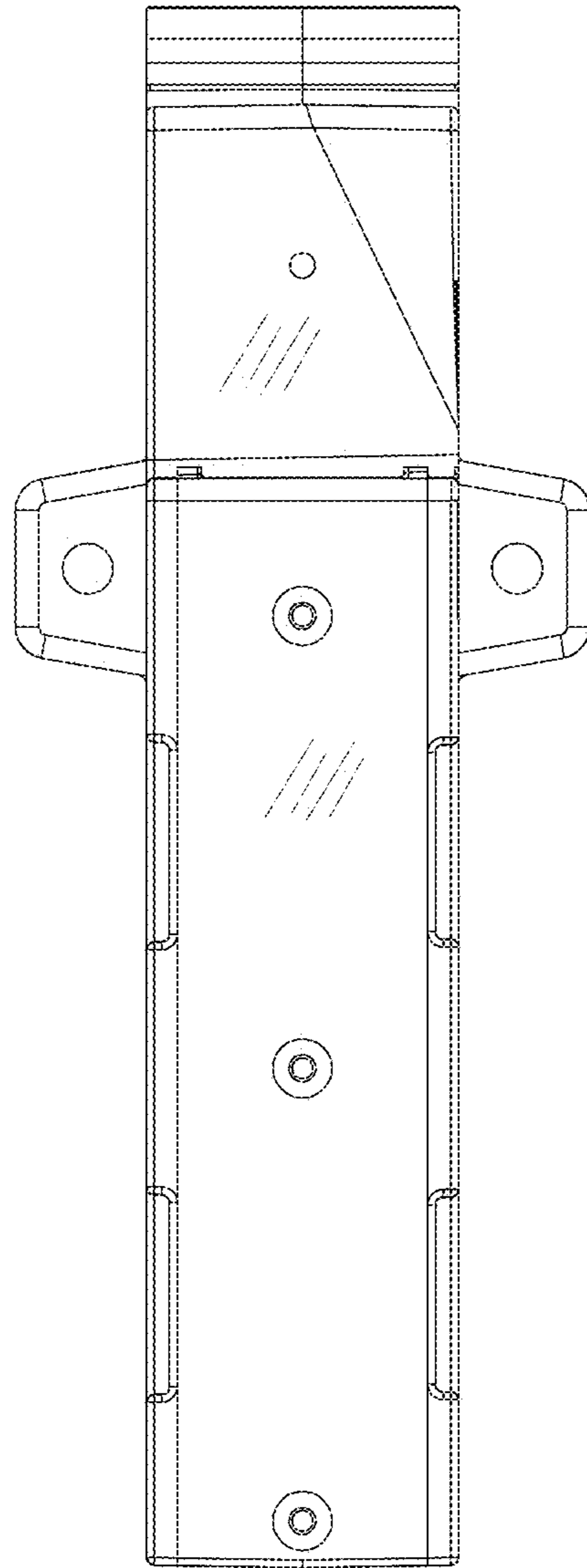


Fig. 6

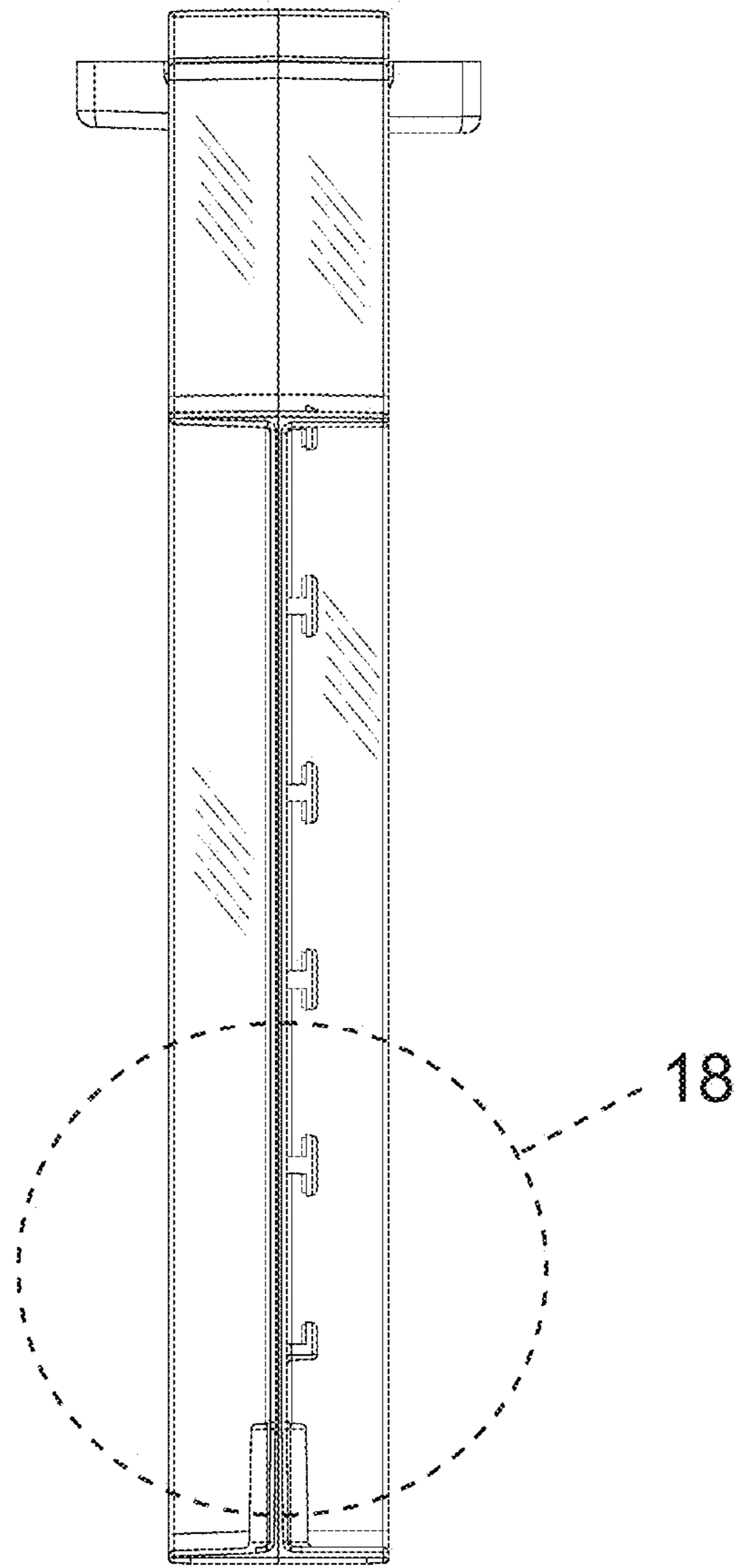


Fig. 7

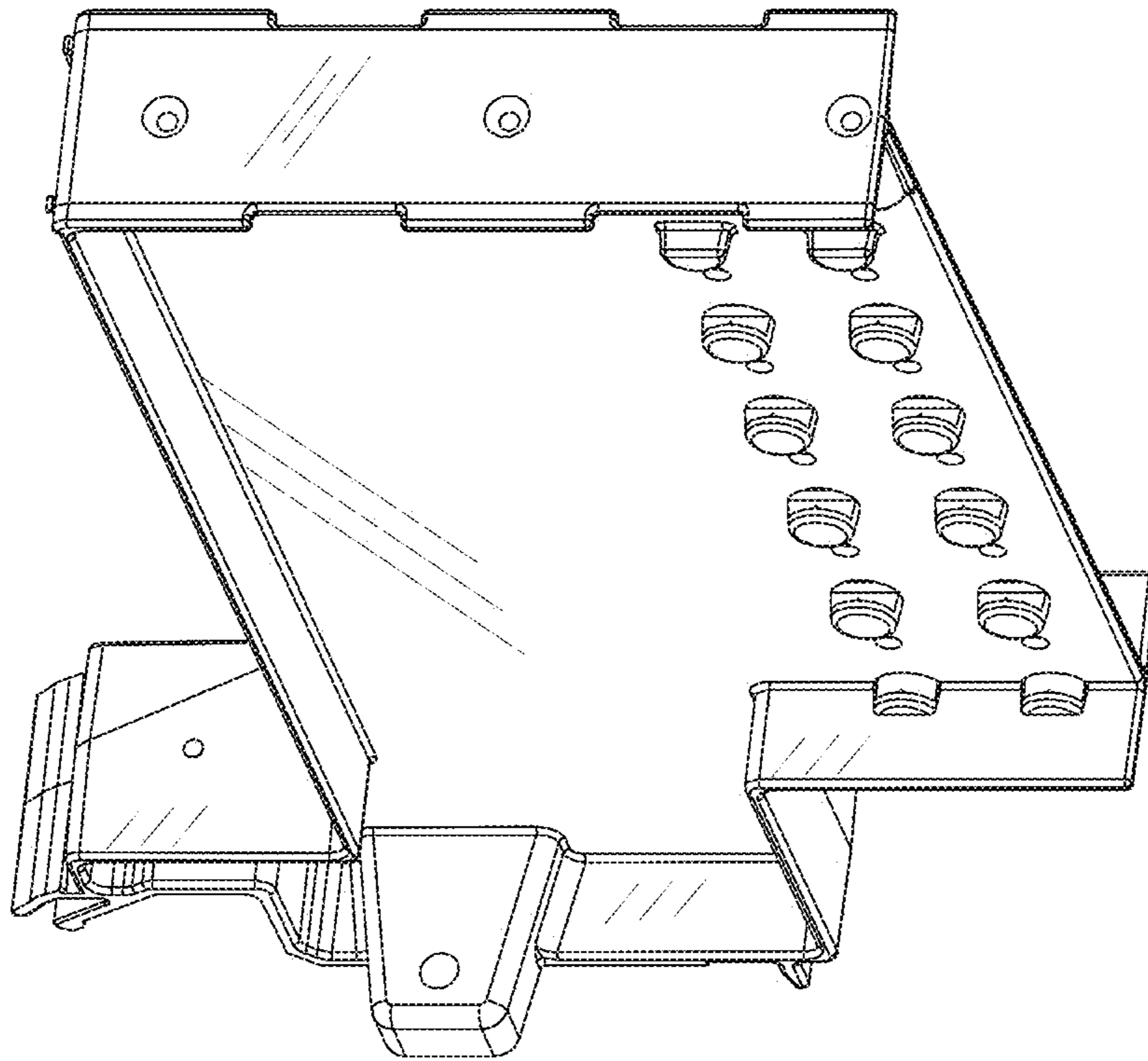


Fig. 8

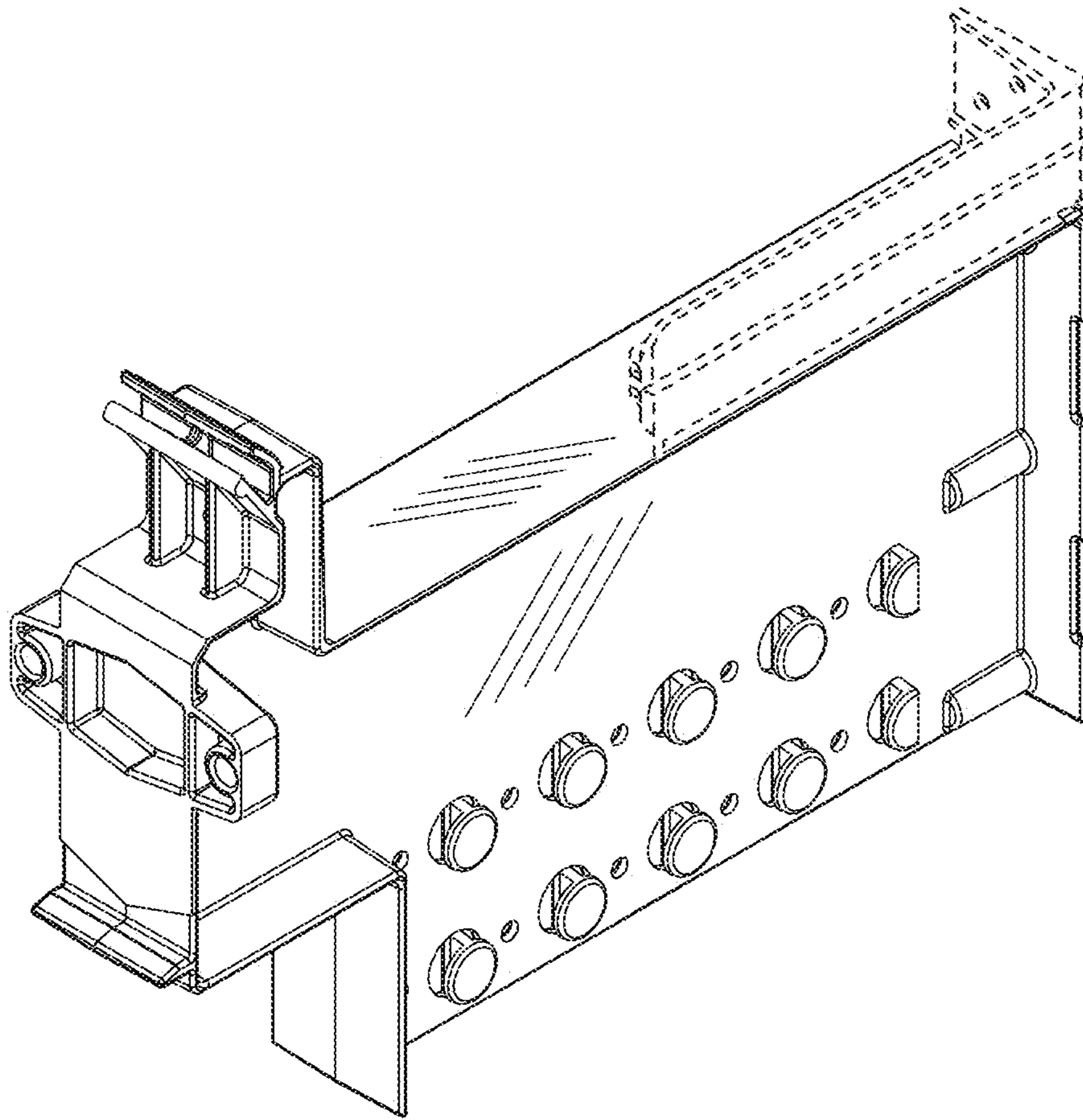


Fig. 9

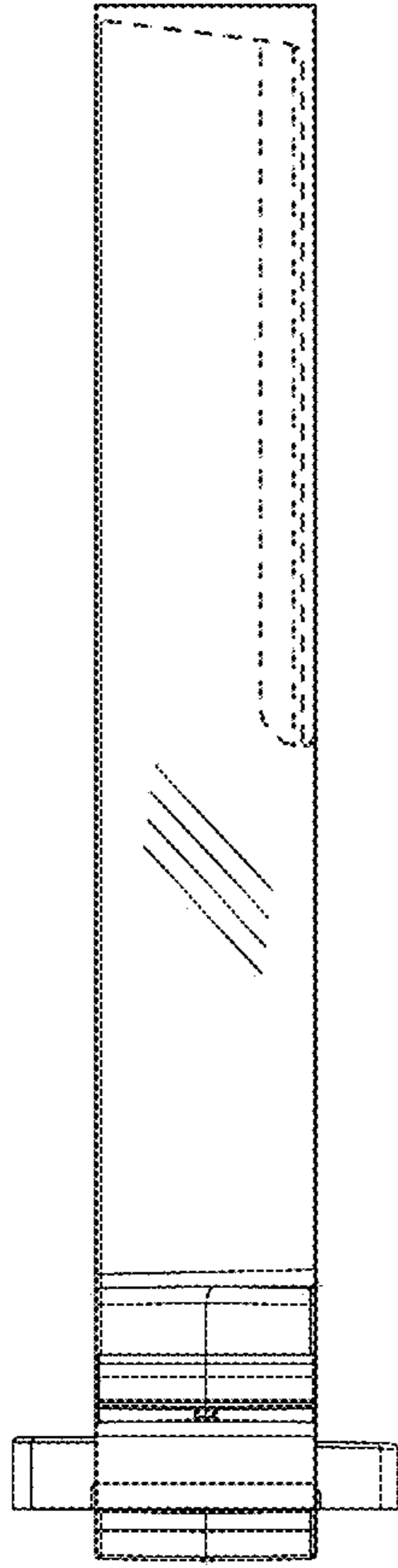


Fig. 10

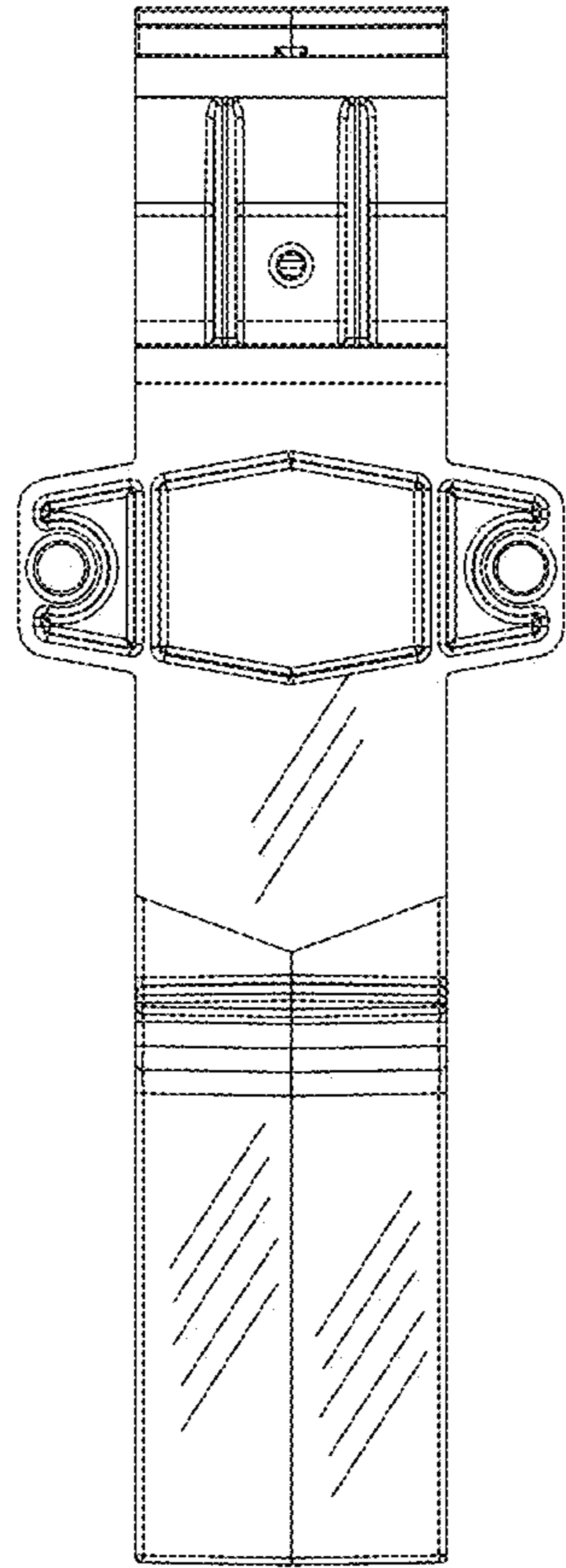


Fig. 11

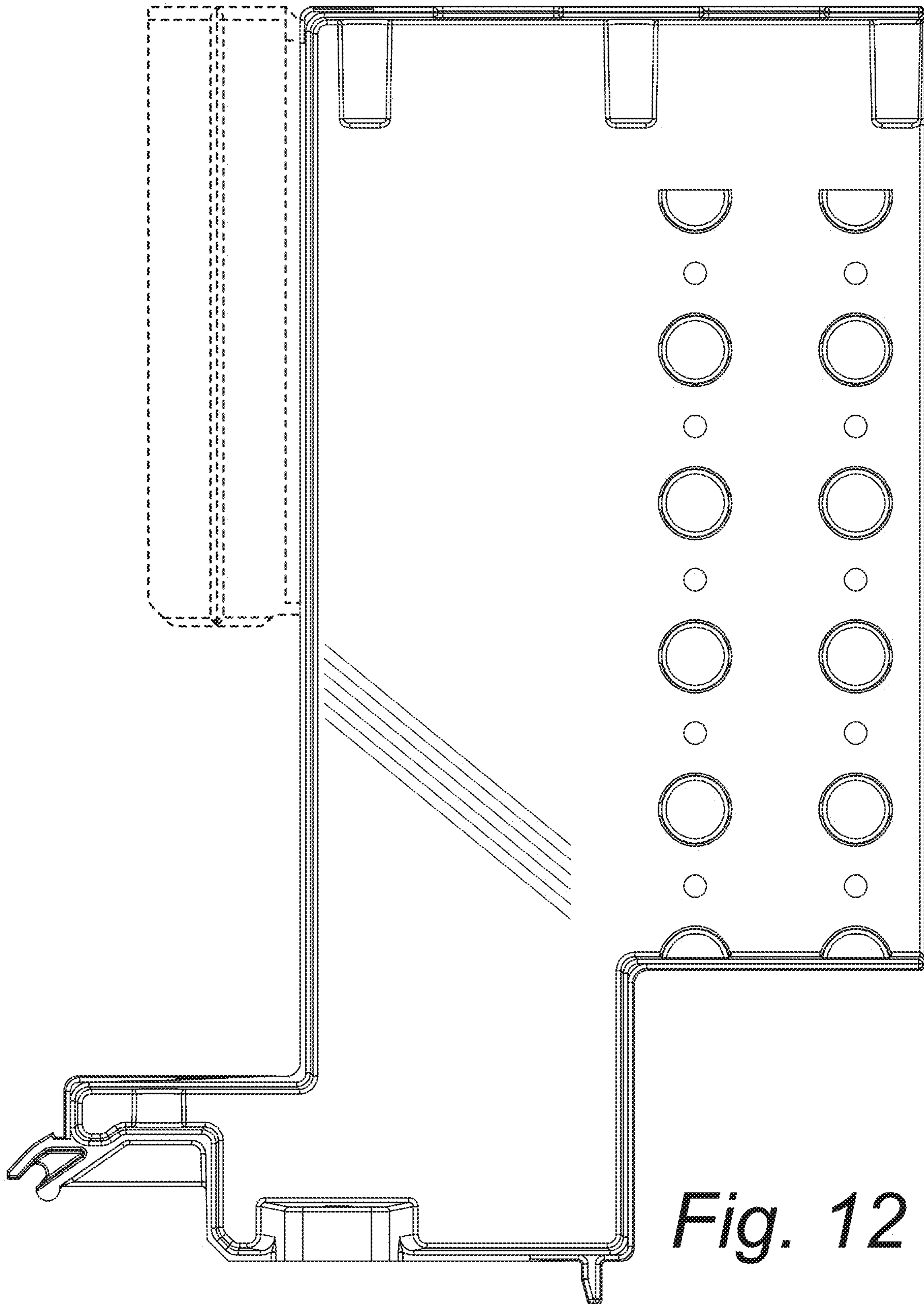
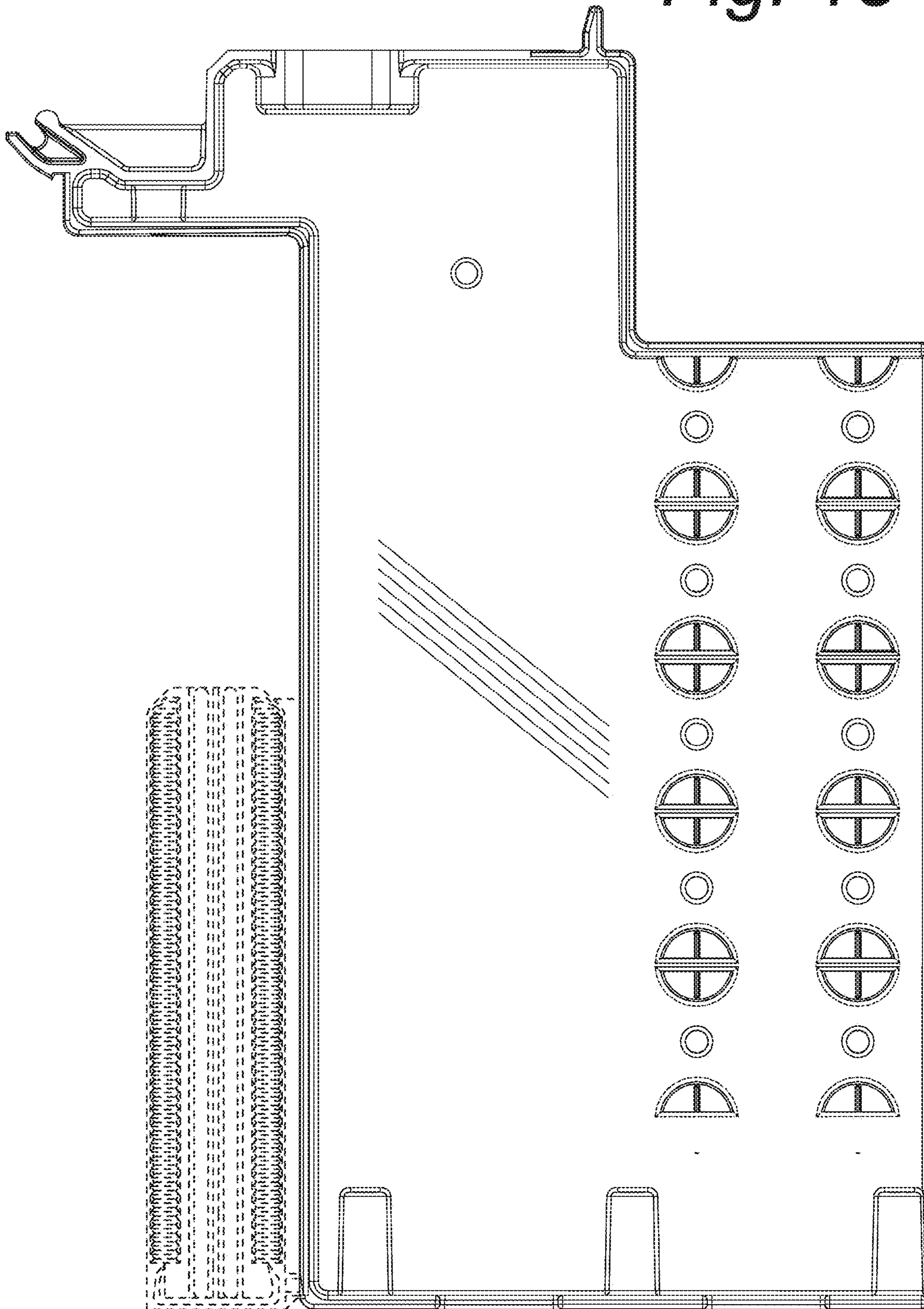


Fig. 12

Fig. 13



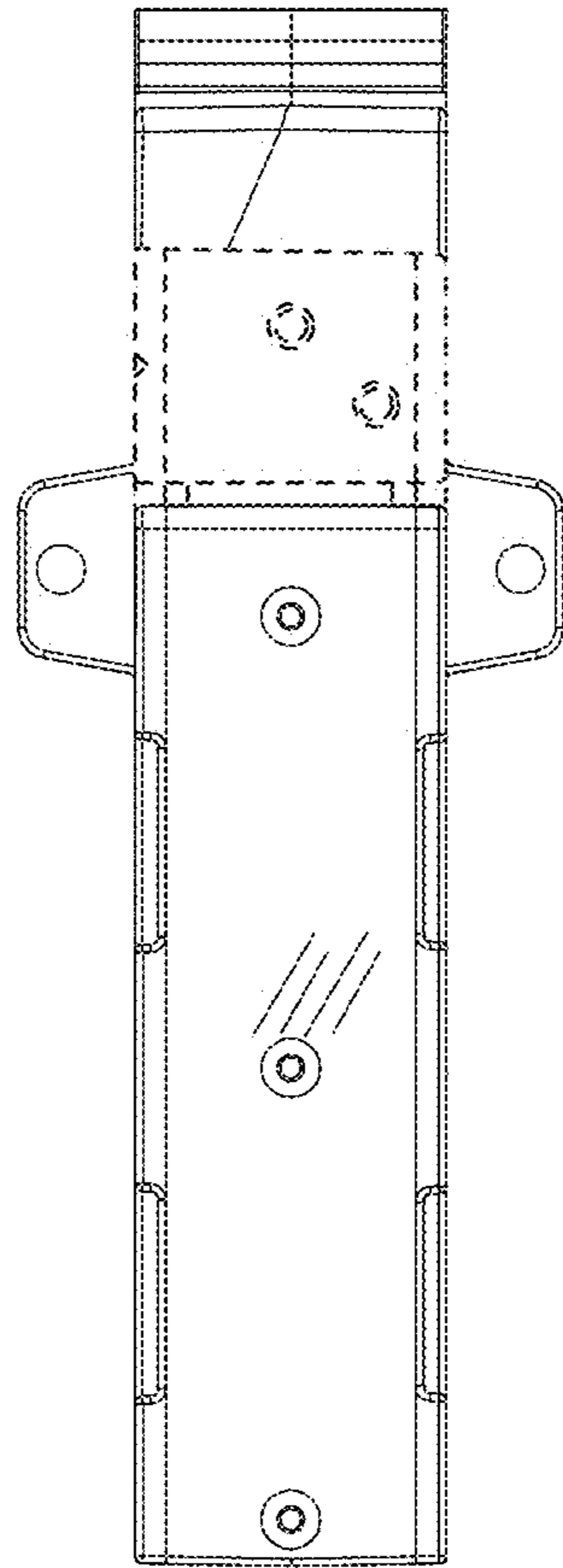


Fig. 14

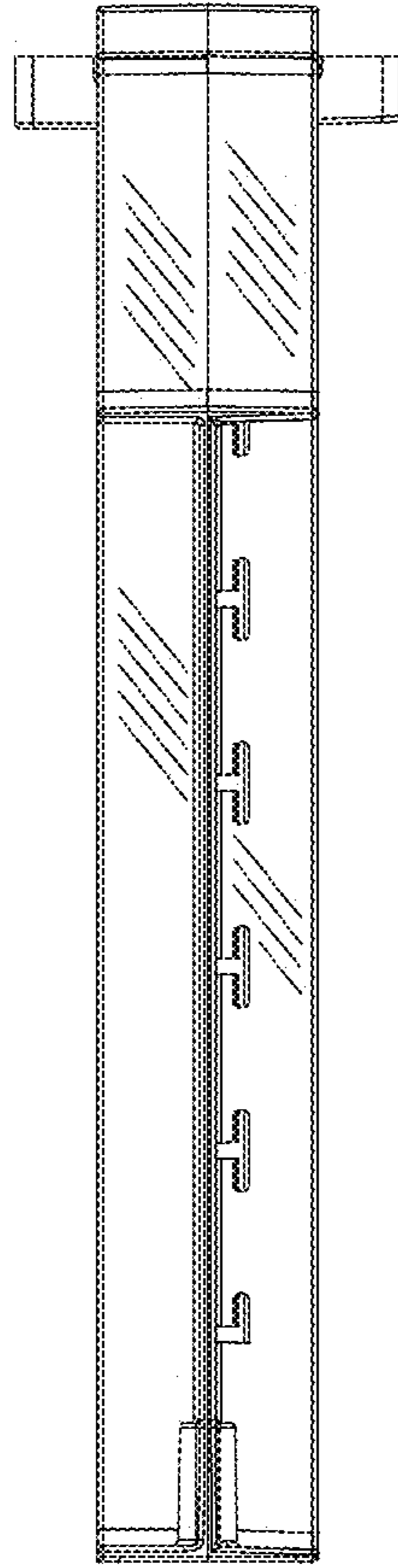


Fig. 15

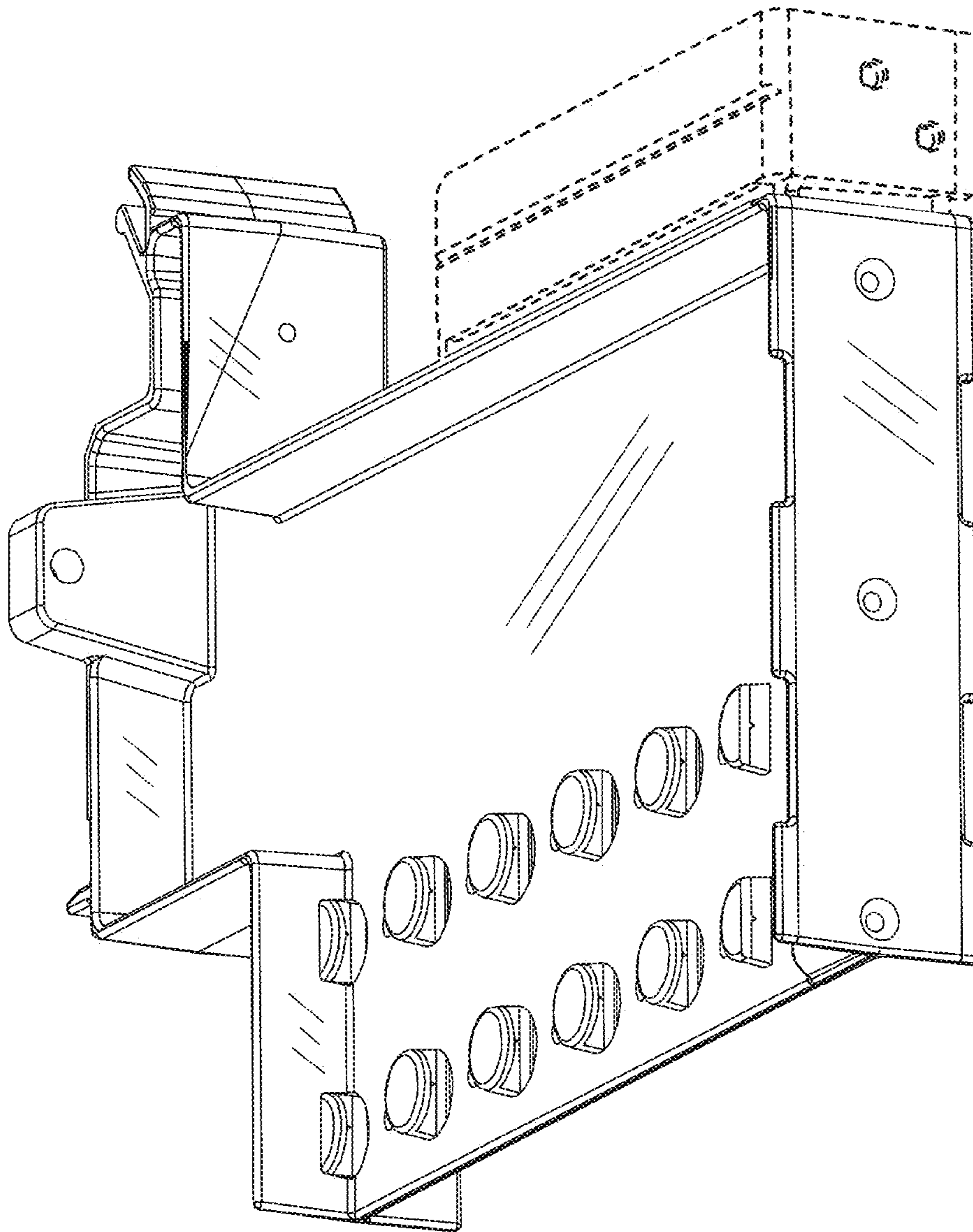


Fig. 16

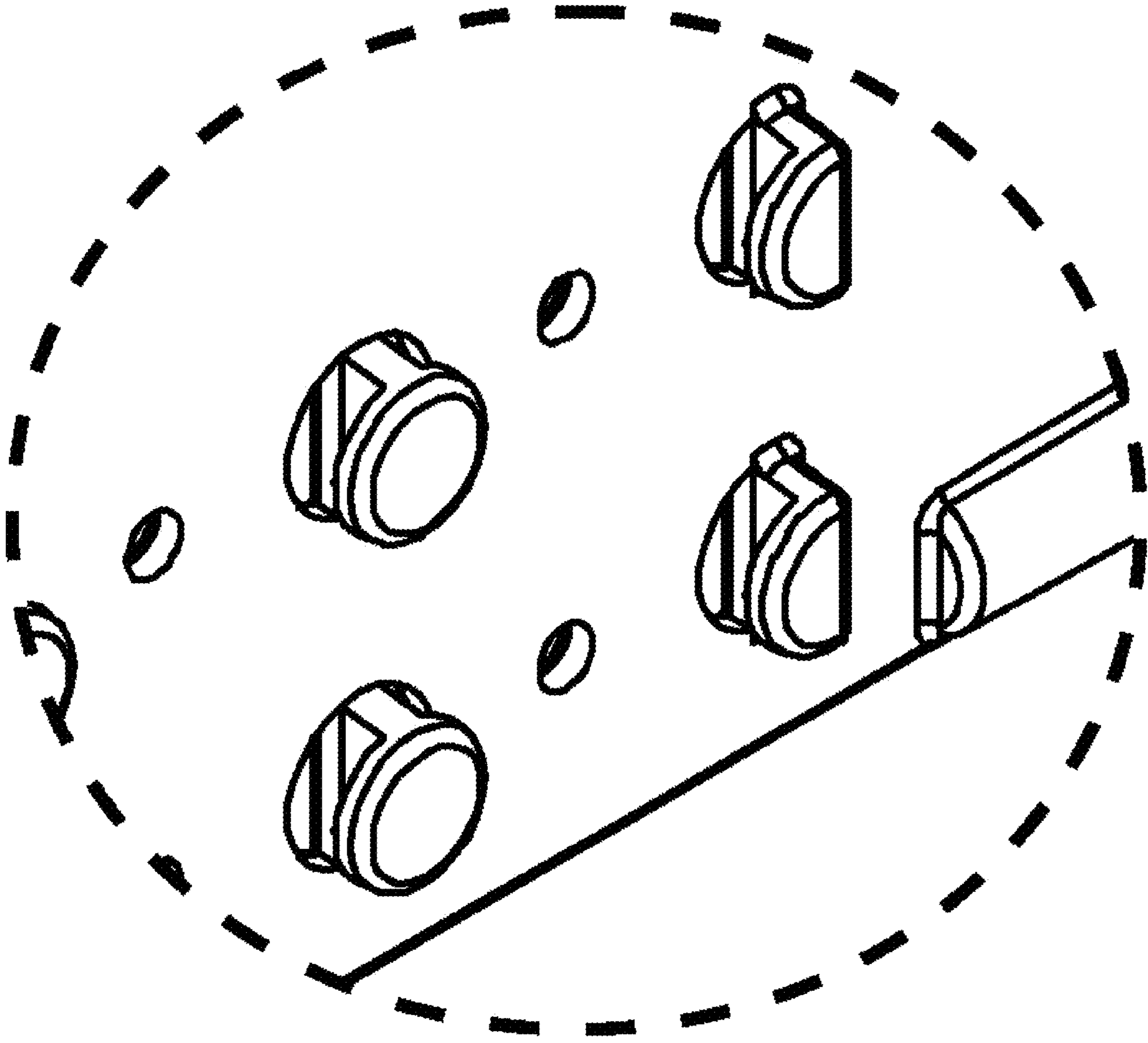


Fig. 17

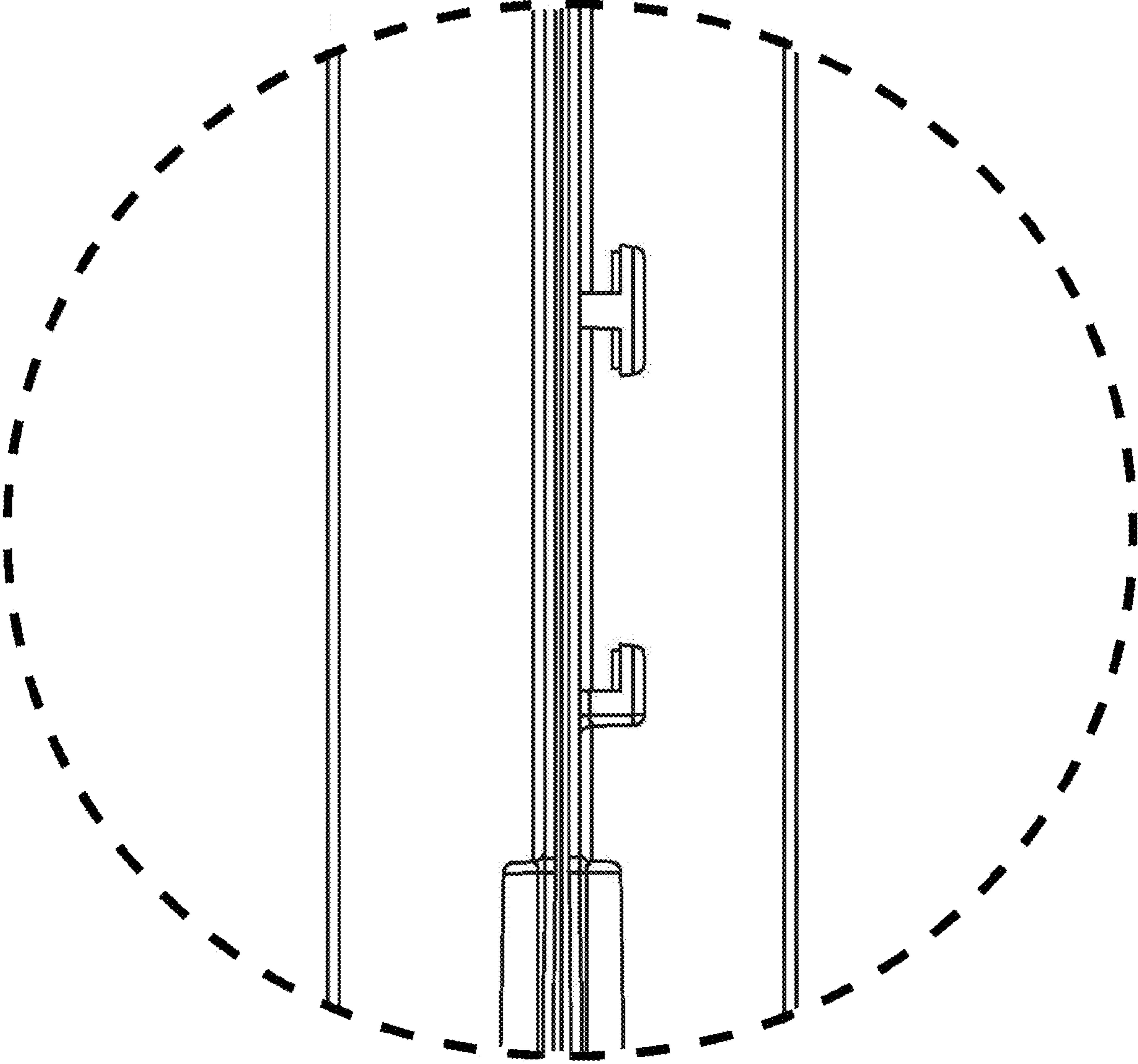


Fig. 18