



US00D920081S

(12) **United States Design Patent** (10) **Patent No.:** **US D920,081 S**  
**Peterson** (45) **Date of Patent:** **\*\* May 25, 2021**

(54) **TILE SPACER**  
(71) Applicant: **Joseph Lawrence Peterson**, Clermont, GA (US)  
(72) Inventor: **Joseph Lawrence Peterson**, Clermont, GA (US)  
(\*\*) Term: **15 Years**

7,650,700 B1 1/2010 Blankenship  
D721,980 S \* 2/2015 Cupertino ..... D10/70  
9,260,872 B2 2/2016 Bunch et al.  
9,683,826 B2 \* 6/2017 Cupertino ..... G01B 3/30  
D875,504 S \* 2/2020 Schluter ..... D8/354  
D880,985 S \* 4/2020 Schluter ..... D8/354  
2005/0257468 A1 11/2005 Serros et al.  
2006/0144011 A1 \* 7/2006 Symington ..... E04F 21/0092  
52/782.1  
2013/0239419 A1 \* 9/2013 Parkin ..... E04F 21/00  
33/194

(21) Appl. No.: **29/700,208**  
(22) Filed: **Jul. 31, 2019**  
(51) **LOC (13) Cl.** ..... **08-05**  
(52) **U.S. Cl.**  
USPC ..... **D8/354**  
(58) **Field of Classification Search**  
USPC ..... D8/354, 376, 16, 17, 19, 37, 47, 71, 89,  
D8/363, 373, 377, 390, 391, 404;  
D10/61, 64; D21/484, 507, 345, 386  
CPC ..... A47G 33/004; A47H 1/00; A47H 13/00;  
A47H 15/00; B44C 1/18; B44C 5/02;  
B44C 5/04; B44C 5/0415; E01B 11/00  
See application file for complete search history.

\* cited by examiner

*Primary Examiner* — Keli L Hill  
*Assistant Examiner* — Harold E Blackwell, II  
(74) *Attorney, Agent, or Firm* — Mathew L. Grell; Jeffrey C. Watson; Grell & Watson Patent Attorneys LLC

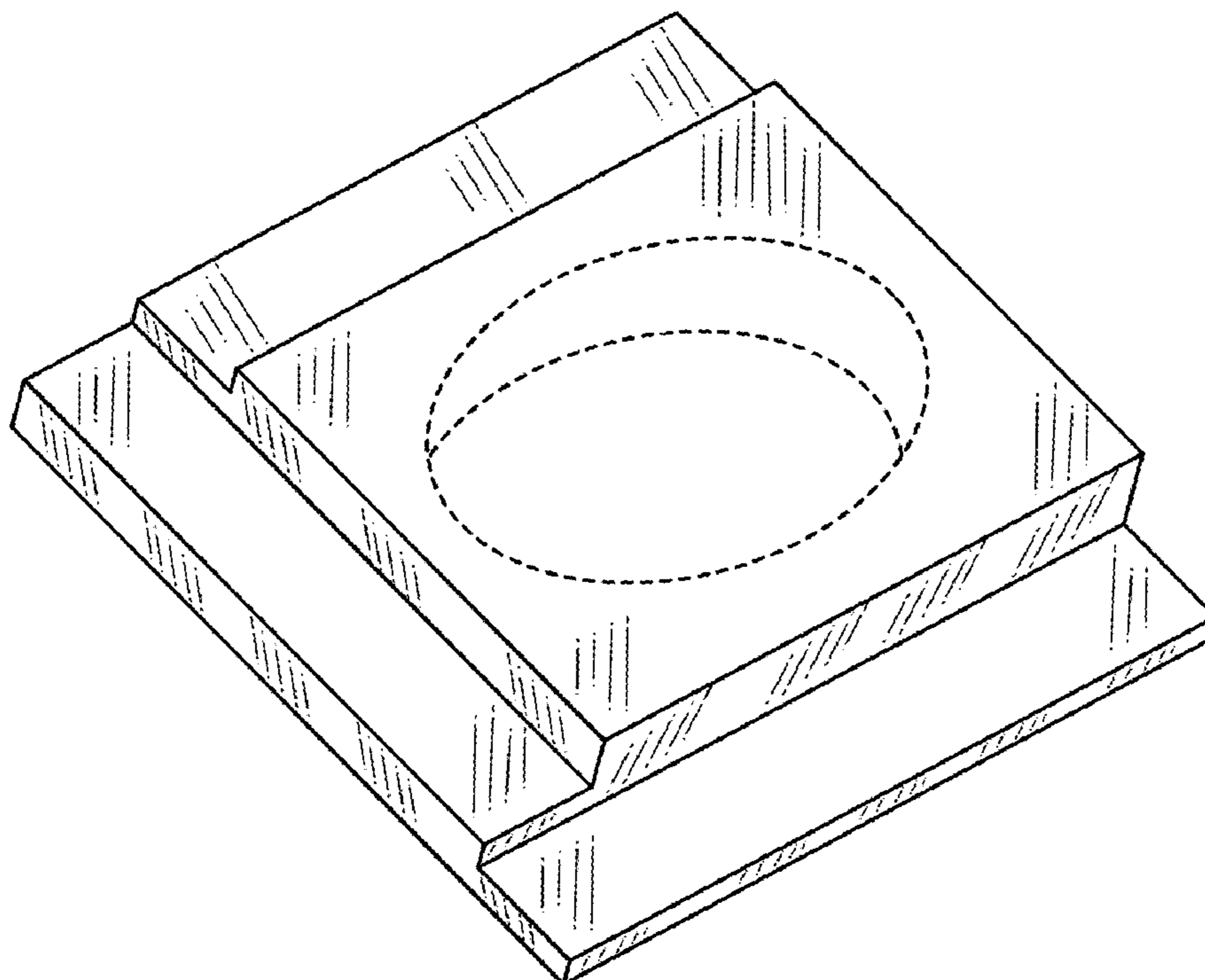
(57) **CLAIM**  
The ornamental design for a tile spacer, as shown and described.

**DESCRIPTION**

FIG. 1 is a perspective view of the tile spacer showing my design;  
FIG. 2 is a top view thereof;  
FIG. 3 is a bottom view thereof;  
FIG. 4 is a left side view thereof;  
FIG. 5 is a right side view thereof;  
FIG. 6 is a back side view thereof; and,  
FIG. 7 is a front side view thereof.  
The broken lines shown in the drawings are for the purpose of illustrating unclaimed boundaries of the design and form no part of the claimed design.

(56) **References Cited**  
U.S. PATENT DOCUMENTS  
2,930,135 A \* 3/1960 Rodtz, Sr. .... E04F 21/0092  
33/518  
3,426,436 A \* 2/1969 Perwas ..... G01B 3/30  
33/567  
5,010,654 A 4/1991 Funes, Jr.  
D473,123 S \* 4/2003 Anderson ..... D8/354  
7,591,073 B1 \* 9/2009 Eckles ..... G01B 3/30  
33/194

**1 Claim, 2 Drawing Sheets**



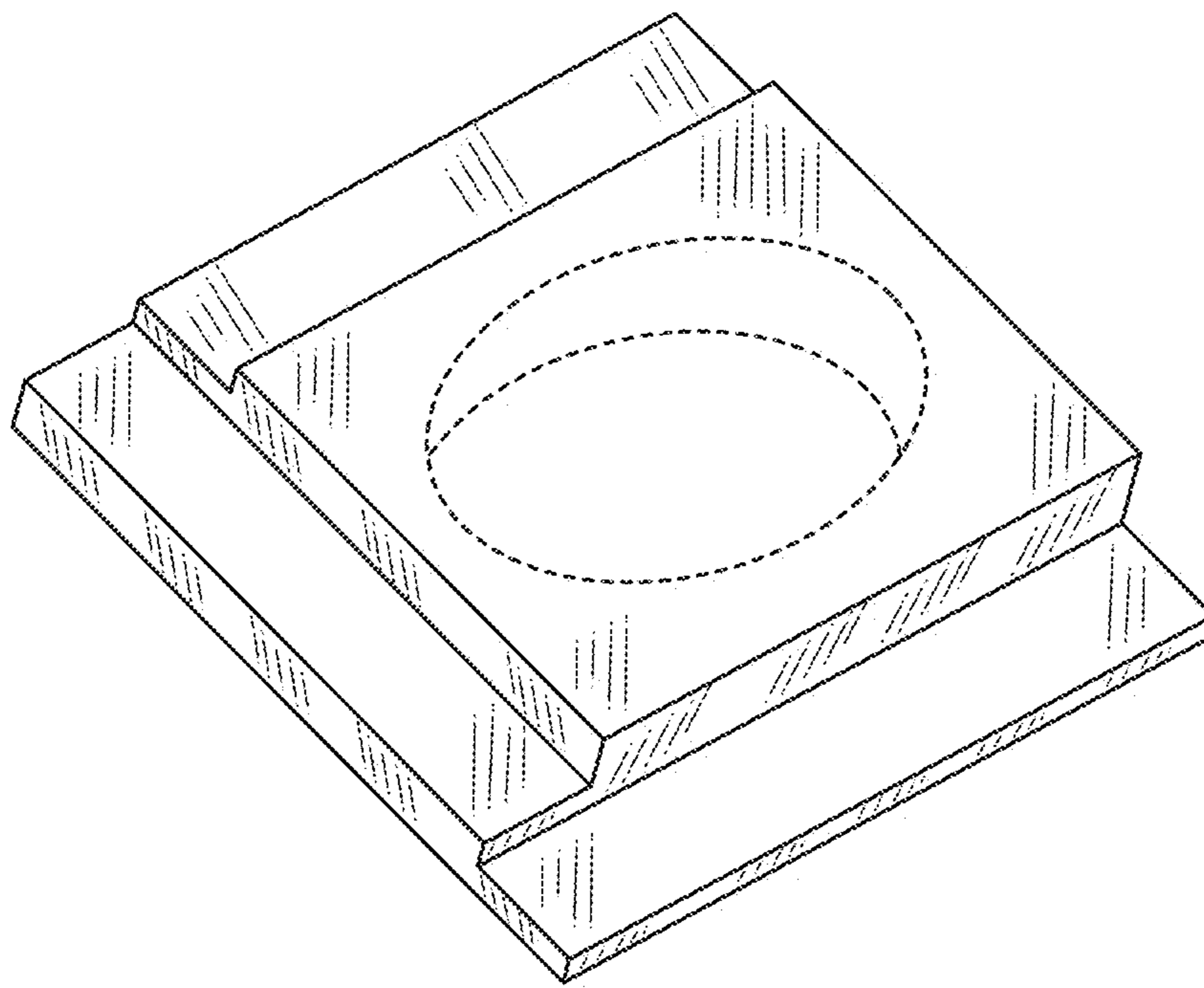


Fig. 1

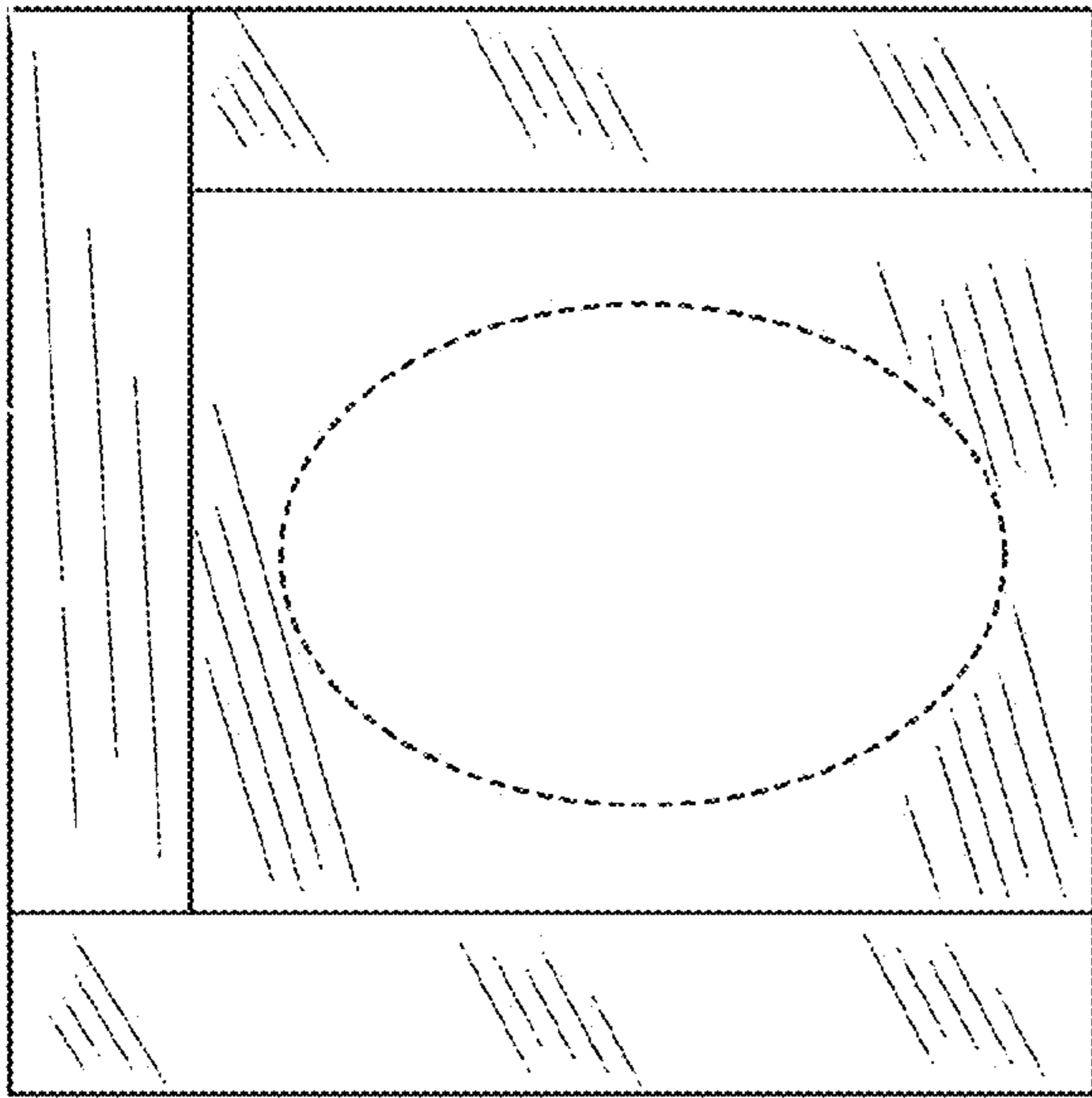


Fig. 2

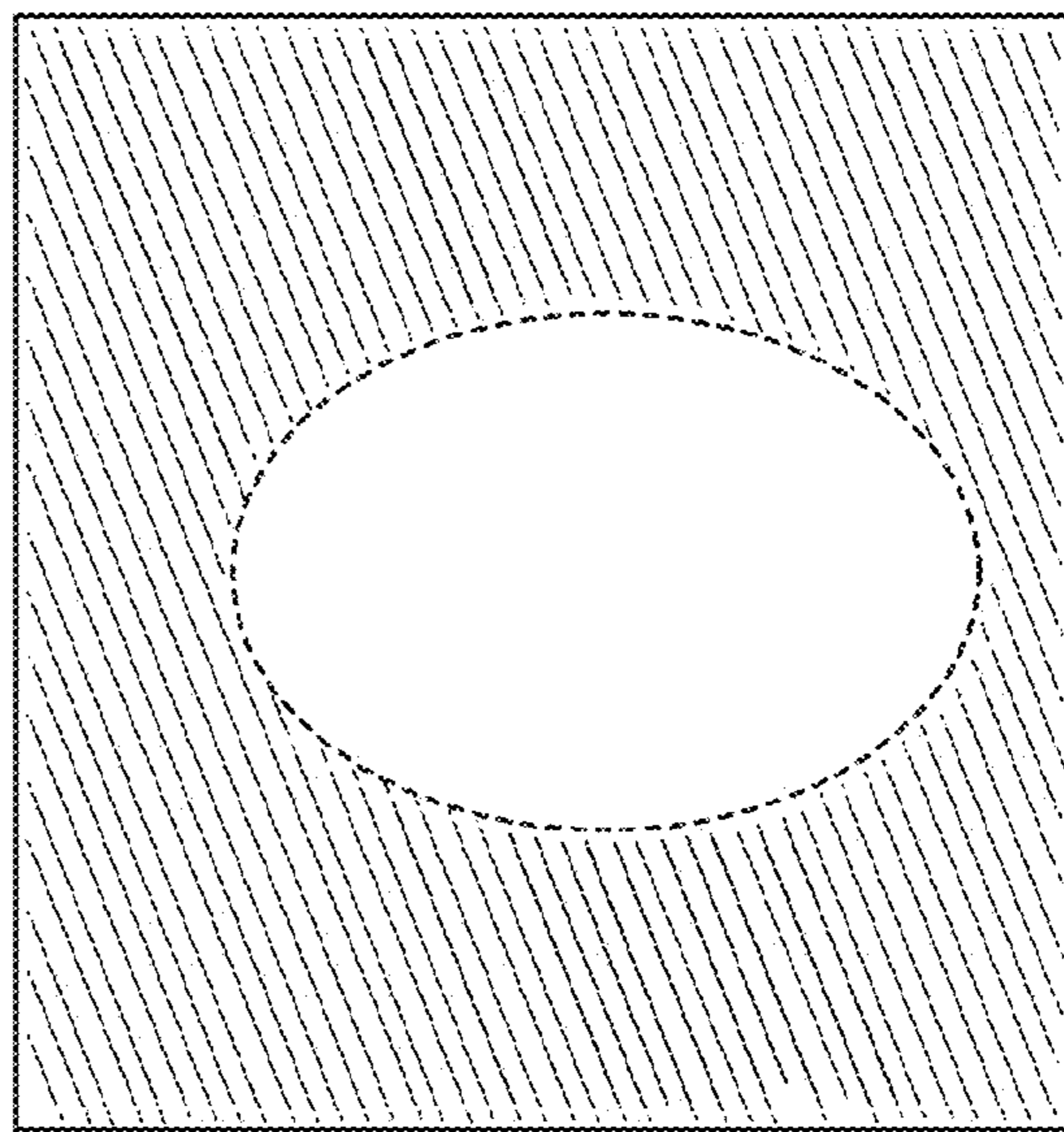


Fig. 3

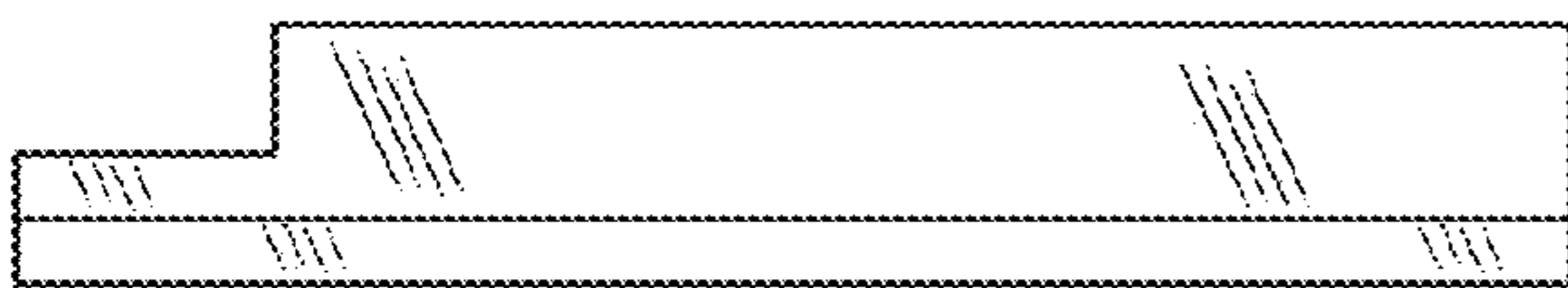


Fig. 4

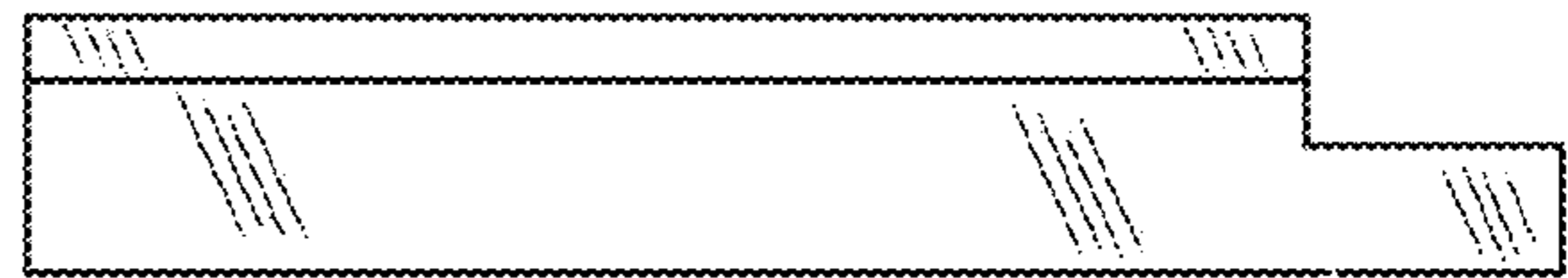


Fig. 5

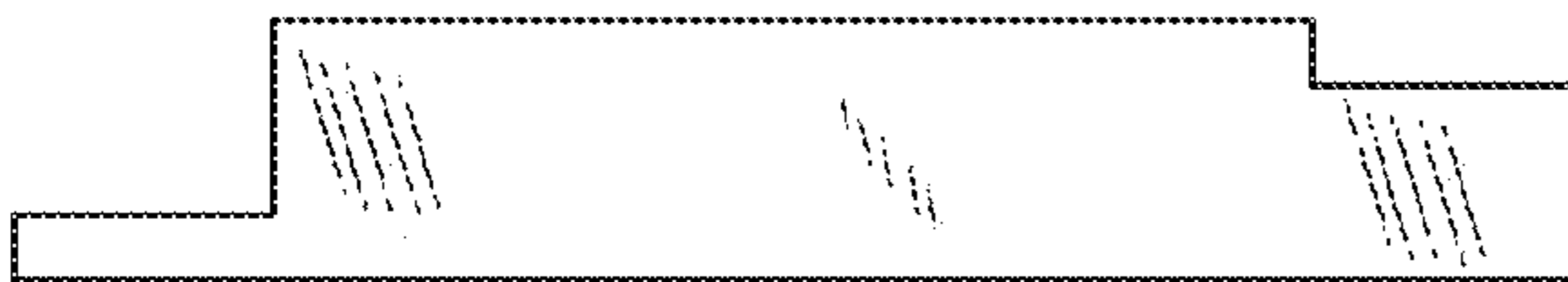


Fig. 6

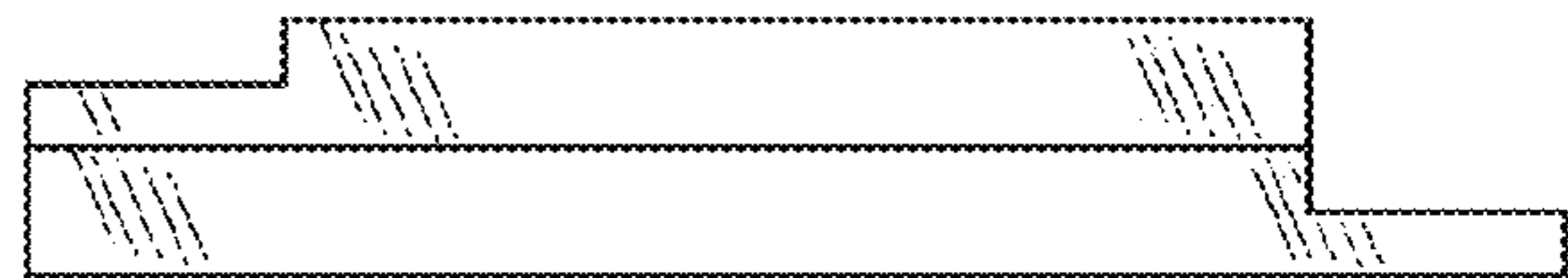


Fig. 7