



US00D920080S

(12) **United States Design Patent**
Hofstrand et al.

(10) **Patent No.:** **US D920,080 S**

(45) **Date of Patent:** **** May 25, 2021**

- (54) **SCREEN PROTECTOR APPLICATOR FOR AN ELECTRONIC DEVICE**
- (71) Applicant: **NLU Products, L.L.C.**, Lehi, UT (US)
- (72) Inventors: **Ryan Hunter Hofstrand**, Lehi, UT (US); **Ben Henwood**, Orem, UT (US); **Dain Hodson**, Highland, UT (US)
- (73) Assignee: **NLU PRODUCTS, L.L.C.**, Lehi, UT (US)
- (**) Term: **15 Years**
- (21) Appl. No.: **29/659,549**
- (22) Filed: **Aug. 9, 2018**
- (51) **LOC (13) Cl.** **08-05**
- (52) **U.S. Cl.**
USPC **D8/354**
- (58) **Field of Classification Search**
USPC D14/217, 238.1, 240, 248, 250, 251–253, D14/439, 440, 447; D3/201, 218, 247, D3/269, 273, 301, 303; D8/354
CPC . H05K 13/00; H05K 13/0015; H04M 1/0202; A45C 1/06
See application file for complete search history.

(56) **References Cited**

U.S. PATENT DOCUMENTS

- 8,675,353 B1 * 3/2014 Alonzo G06F 1/1628
361/679.01
- D738,172 S * 9/2015 Chen D8/14
- D757,016 S * 5/2016 Liang D14/440
- D797,546 S * 9/2017 Saideh D8/354
- D821,384 S * 6/2018 Jordin D14/250
- 10,076,872 B2 * 9/2018 Witham G06F 1/1626

- 10,076,894 B2 * 9/2018 Lin B32B 37/003
- 10,507,962 B2 * 12/2019 Lin H04B 1/3827
- 10,841,409 B2 * 11/2020 Bulkley G06F 1/1637
- D904,840 S * 12/2020 Liu D8/14
- D908,472 S * 1/2021 Zhang D8/354
- D908,682 S * 1/2021 Coverstone D14/250
- 2014/0130971 A1 * 5/2014 Wu H05K 13/00
156/249
- 2015/0246514 A1 * 9/2015 LaColla B29C 63/0004
156/60
- 2015/0291854 A1 * 10/2015 Colby G06F 1/1656
156/249

* cited by examiner

Primary Examiner — Keli L Hill

Assistant Examiner — Harold E Blackwell, II

(74) *Attorney, Agent, or Firm* — Parsons Behle & Latimer

(57) **CLAIM**

The ornamental design for a screen protector applicator for an electronic device, as shown.

DESCRIPTION

FIG. 1 is a front perspective view of a screen protector applicator for an electronic device embodying the new design;

FIG. 2 is a rear perspective view thereof;

FIG. 3 is a rear elevational view thereof;

FIG. 4 is a front elevational view thereof;

FIG. 5 is a left side elevational view thereof, the right side elevational view being a mirror image of the left side elevational view; and,

FIG. 6 is a bottom plan view thereof, the top plan view thereof being a mirror image of the bottom plan view.

1 Claim, 4 Drawing Sheets



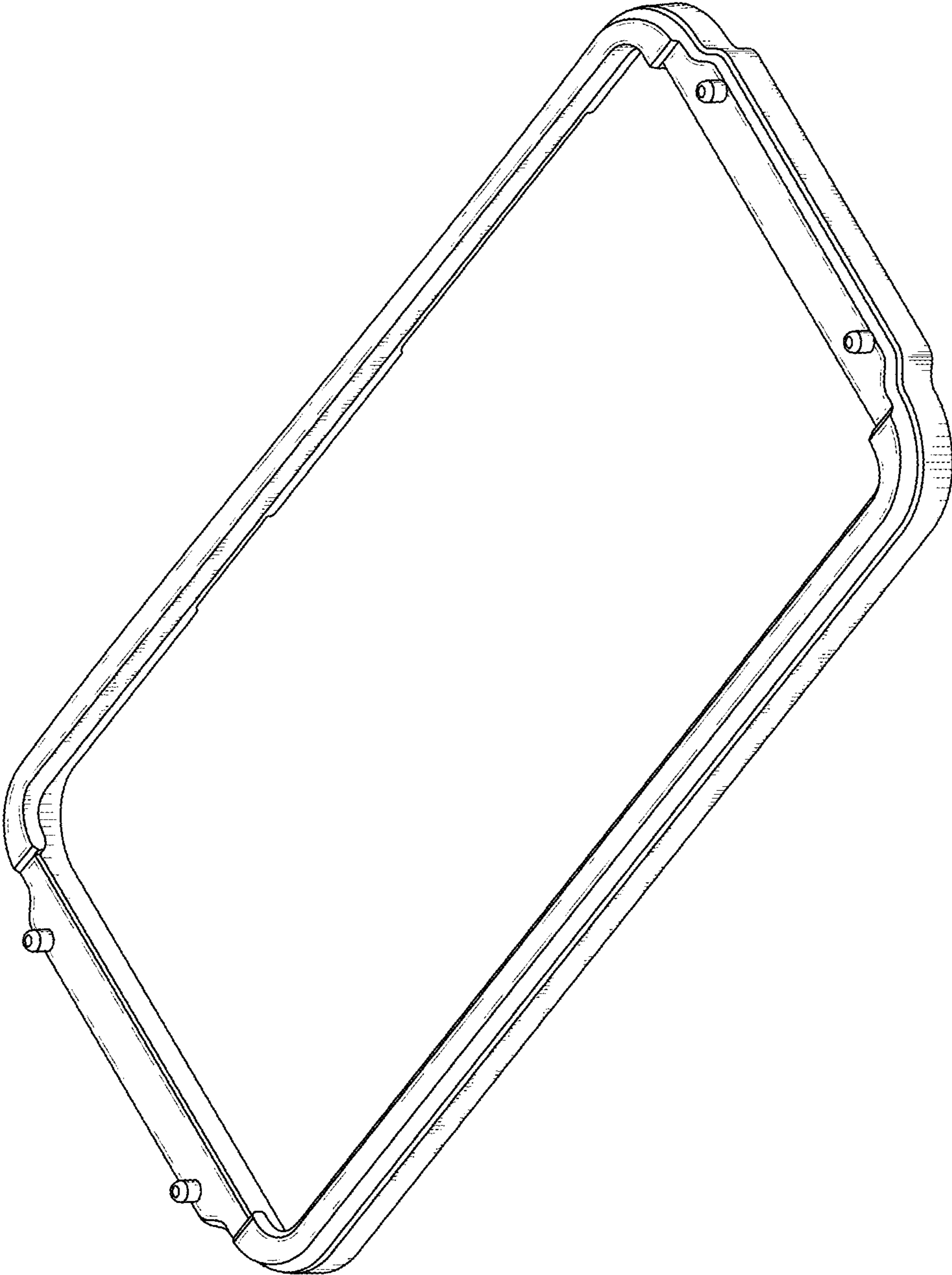


FIG. 1

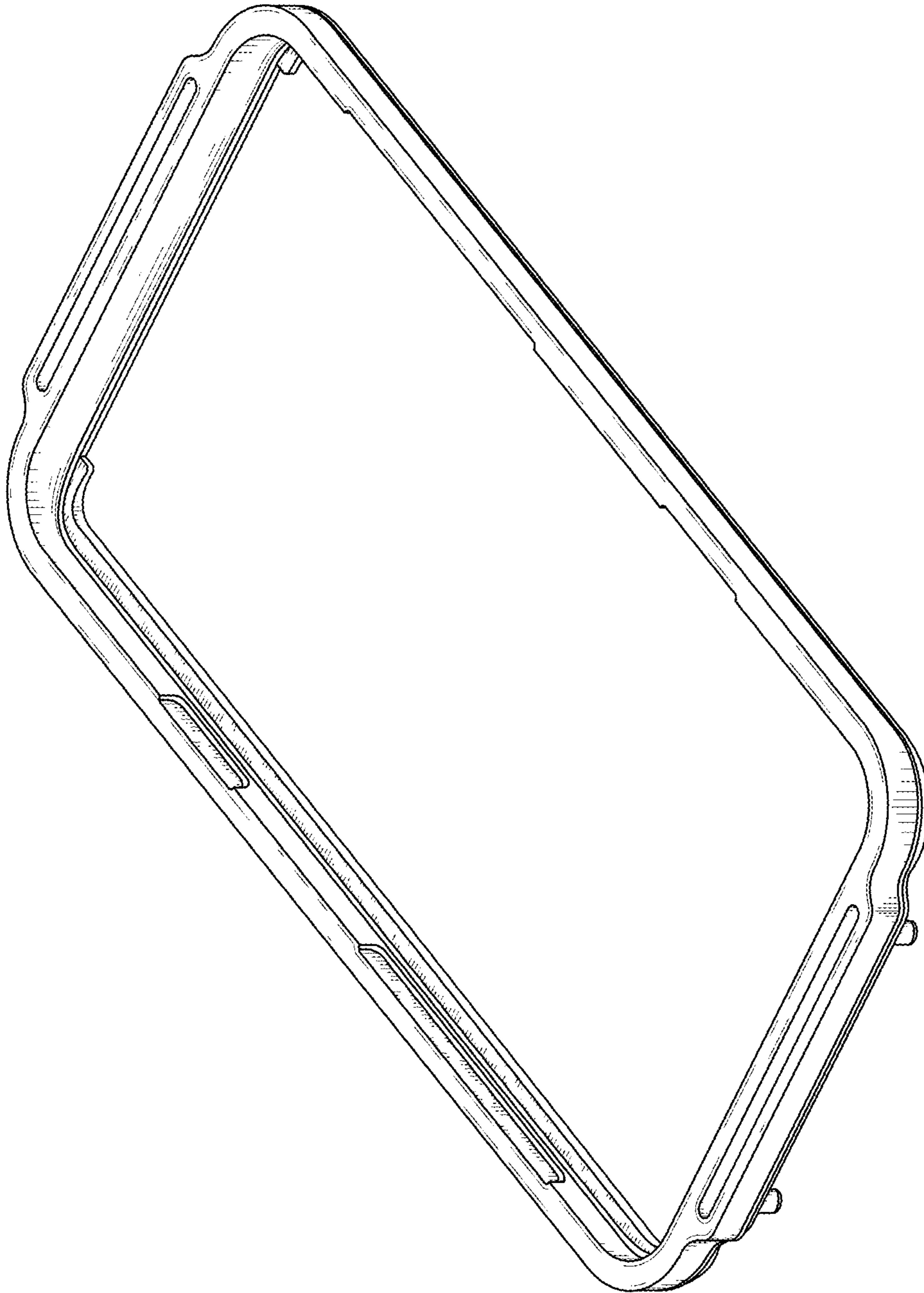


FIG. 2

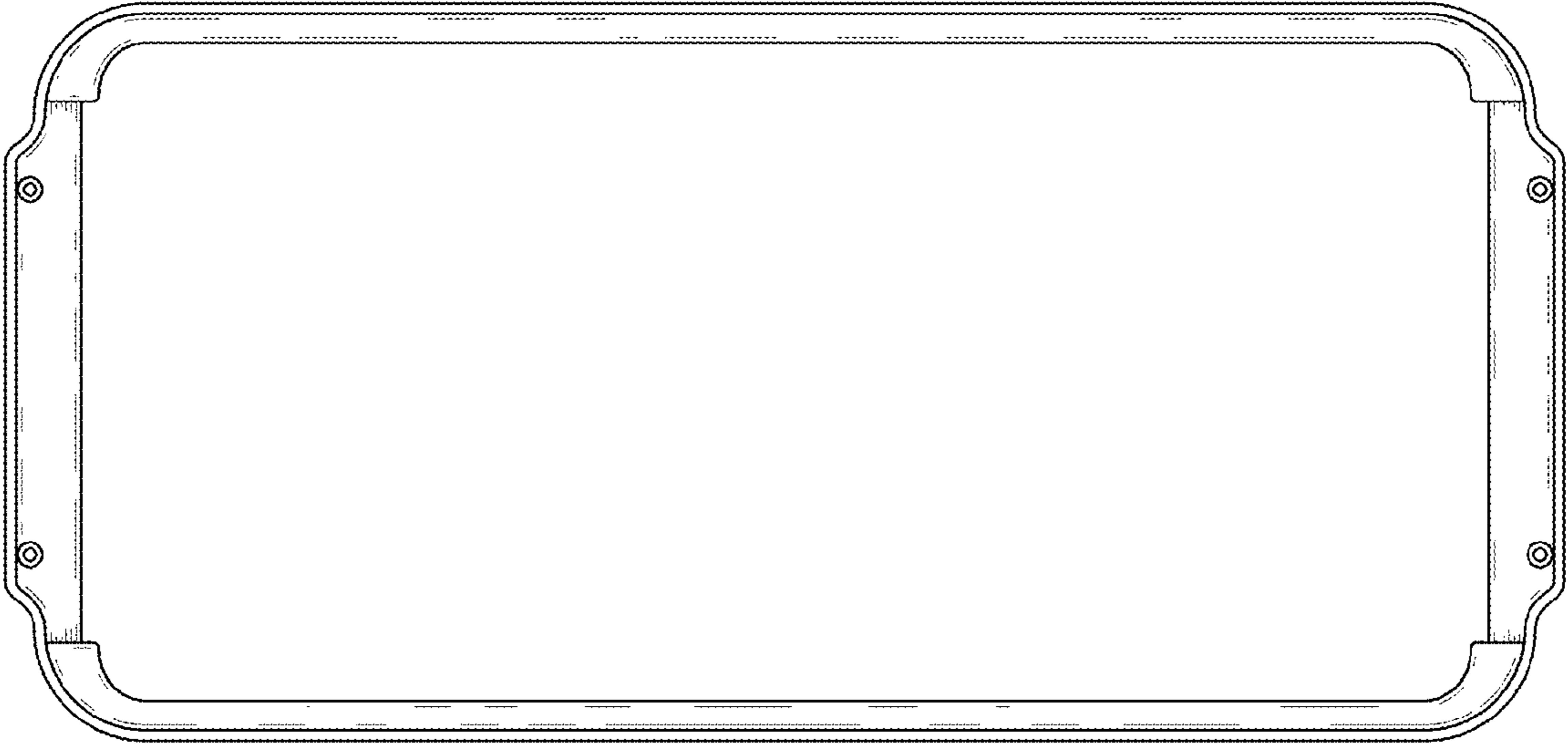


FIG. 4

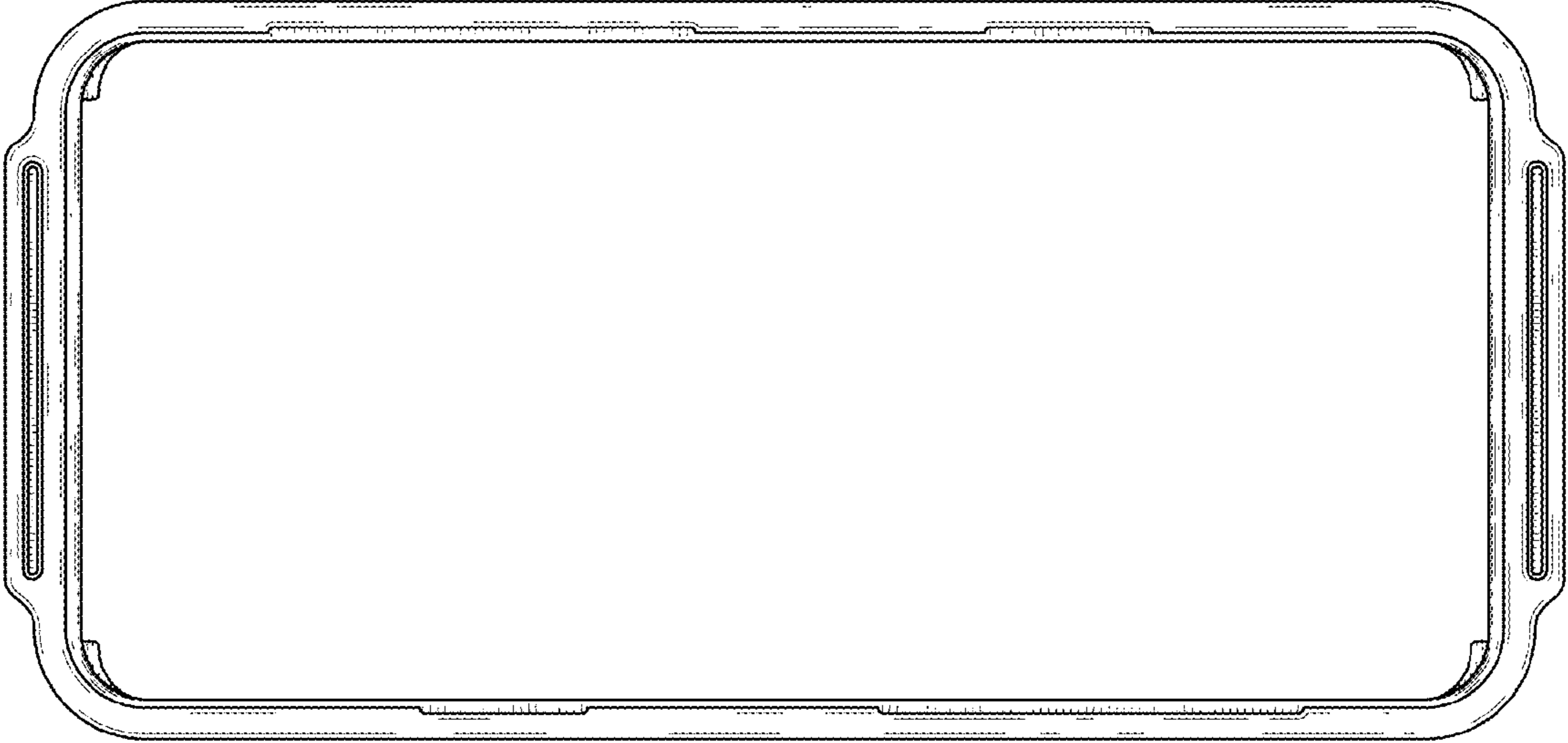


FIG. 3

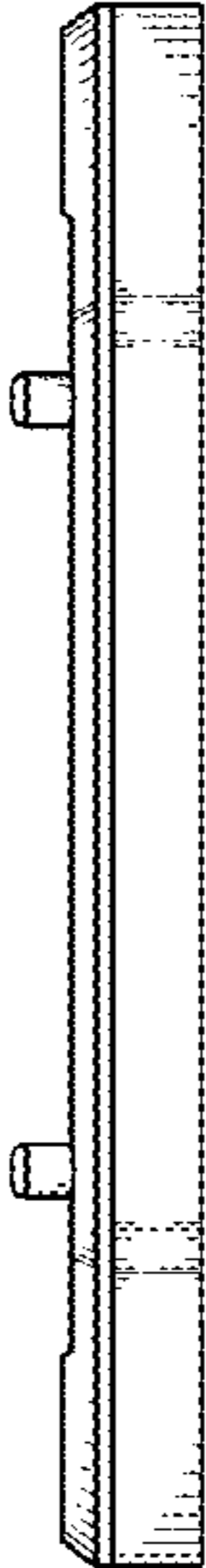


FIG. 6

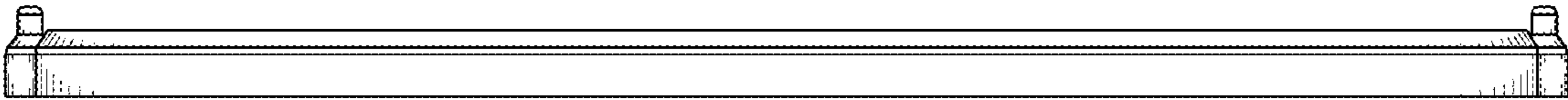


FIG. 5