



US00D920074S

(12) **United States Design Patent**
Hutchens

(10) **Patent No.:** **US D920,074 S**

(45) **Date of Patent:** **** May 25, 2021**

(54) **KNIFE**

(71) Applicant: **Coast Cutlery Co.**, Portland, OR (US)

(72) Inventor: **Douglas R. Hutchens**, Portland, OR (US)

(73) Assignee: **Coast Cutlery Co.**, Portland, OR (US)

(**) Term: **15 Years**

(21) Appl. No.: **29/721,206**

(22) Filed: **Jan. 17, 2020**

(51) **LOC (13) Cl.** **08-03**

(52) **U.S. Cl.**
USPC **D8/99**

(58) **Field of Classification Search**
USPC D8/98, 99, 100, 105, 107; D22/118
(Continued)

(56) **References Cited**

U.S. PATENT DOCUMENTS

D494,437 S * 8/2004 Scarla D8/99
7,007,392 B2 * 3/2006 Ping B26B 1/042
30/155

(Continued)

Primary Examiner — Philip S Hyder

(74) *Attorney, Agent, or Firm* — Schwabe Williamson & Wyatt, P.C.

(57) **CLAIM**

I claim the ornamental design for a knife, as shown and described.

DESCRIPTION

FIG. 1 is a side elevation view of the front side of a first embodiment of the present invention, with the knife in a closed position;

FIG. 2 is a side elevation view of the rear side of a first embodiment of the present invention, with the knife in a closed position;

FIG. 3 is an end elevation view of the left end of a first embodiment of the present invention, with the knife in a closed position;

FIG. 4 is an end elevation view of the right end of a first embodiment of the present invention, with the knife in a closed position;

FIG. 5 is a top view of a first embodiment of the present invention, with the knife in a closed position;

FIG. 6 is a bottom view of a first embodiment of the present invention, with the knife in a closed position;

FIG. 7 is a side elevation view of the front side of a first embodiment of the present invention, with the knife in an open position;

FIG. 8 is a side elevation view of the rear side of a first embodiment of the present invention, with the knife in an open position;

FIG. 9 is an end elevation view of the left end of a first embodiment of the present invention, with the knife in an open position;

FIG. 10 is an end elevation view of the right end of a first embodiment of the present invention, with the knife in an open position;

FIG. 11 is a top view of a first embodiment of the present invention, with the knife in an open position;

FIG. 12 is a bottom view of a first embodiment of the present invention, with the knife in an open position;

FIG. 13 is a side elevation view of the front side of a second embodiment of the present invention, with the knife in a closed position;

FIG. 14 is a side elevation view of the rear side of a second embodiment of the present invention, with the knife in a closed position;

FIG. 15 is an end elevation view of the left end of a second embodiment of the present invention, with the knife in a closed position;

FIG. 16 is an end elevation view of the right end of a second embodiment of the present invention, with the knife in a closed position;

FIG. 17 is a top view of a second embodiment of the present invention, with the knife in a closed position;

(Continued)

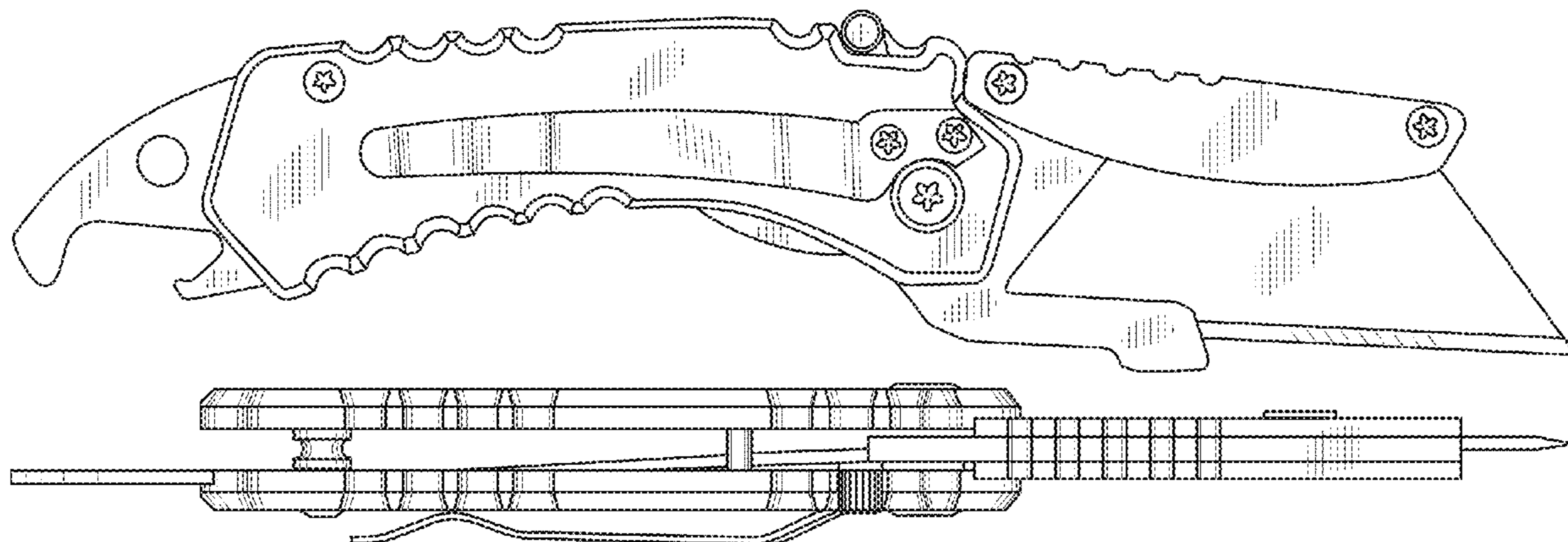


FIG. 18 is a bottom view of a second embodiment of the present invention, with the knife in a closed position;
 FIG. 19 is a side elevation view of the front side of a second embodiment of the present invention, with the knife in an open position;
 FIG. 20 is a side elevation view of the rear side of a second embodiment of the present invention, with the knife in an open position;
 FIG. 21 is an end elevation view of the left end of a second embodiment of the present invention, with the knife in an open position;
 FIG. 22 is an end elevation view of the right end of a second embodiment of the present invention, with the knife in an open position;
 FIG. 23 is a top view of a second embodiment of the present invention, with the knife in an open position; and,
 FIG. 24 is a bottom view of a second embodiment of the present invention, with the knife in an open position.

1 Claim, 6 Drawing Sheets

(58) **Field of Classification Search**

CPC B26B 5/001; B26B 5/003; B26B 11/00;
 B26B 1/08; B26B 1/02; B26B 1/10;
 B26B 1/04; B26B 1/042; B26B 1/048;

B26B 3/08; B26B 3/06; B26B 5/00;
 B26B 5/005; B26B 5/006

See application file for complete search history.

(56)

References Cited

U.S. PATENT DOCUMENTS

7,040,022	B2 *	5/2006	Ping	B26B 1/042
				30/155
D546,158	S *	7/2007	Ping	D8/99
D552,955	S *	10/2007	Ping	D8/99
D578,858	S *	10/2008	Ping	D8/99
D579,299	S *	10/2008	Ping	D8/99
7,480,997	B2 *	1/2009	Ping	B26B 1/046
				30/159
D622,574	S *	8/2010	Garcia	D8/105
7,814,664	B2 *	10/2010	LeBlanc	B26B 1/042
				30/161
7,913,397	B2 *	3/2011	van Deursen	B26B 1/04
				30/154
D691,018	S *	10/2013	Robinson	D8/99
8,549,755	B2 *	10/2013	Ranieri	B26B 5/001
				30/162
8,938,883	B2 *	1/2015	Gringer	B26B 1/046
				30/155
D840,782	S *	2/2019	Lin	D8/99
2012/0227267	A1 *	9/2012	Qiu	B26B 5/00
				30/152

* cited by examiner

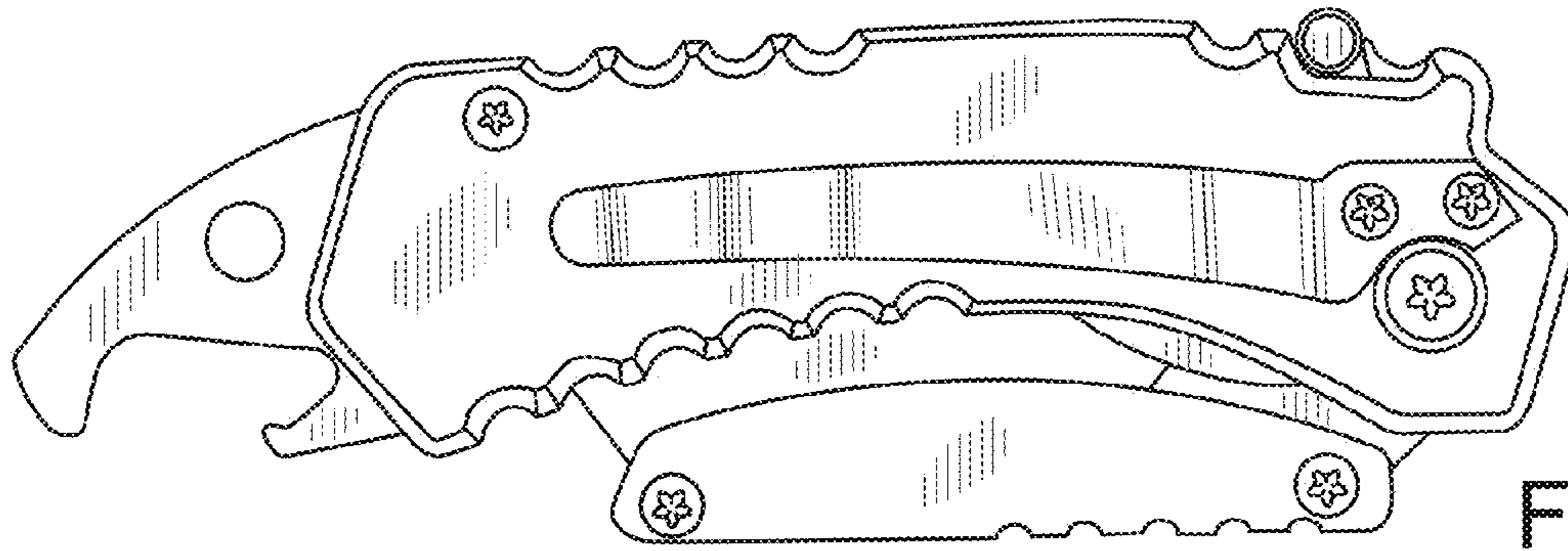


FIG. 1

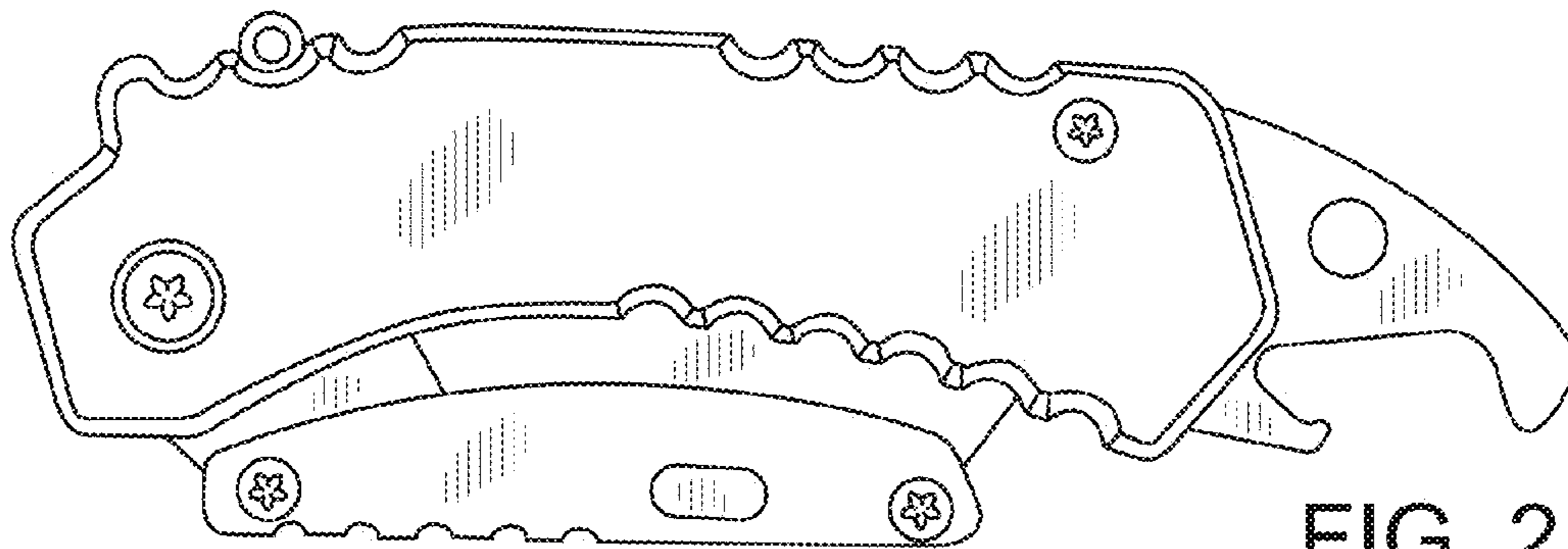


FIG. 2

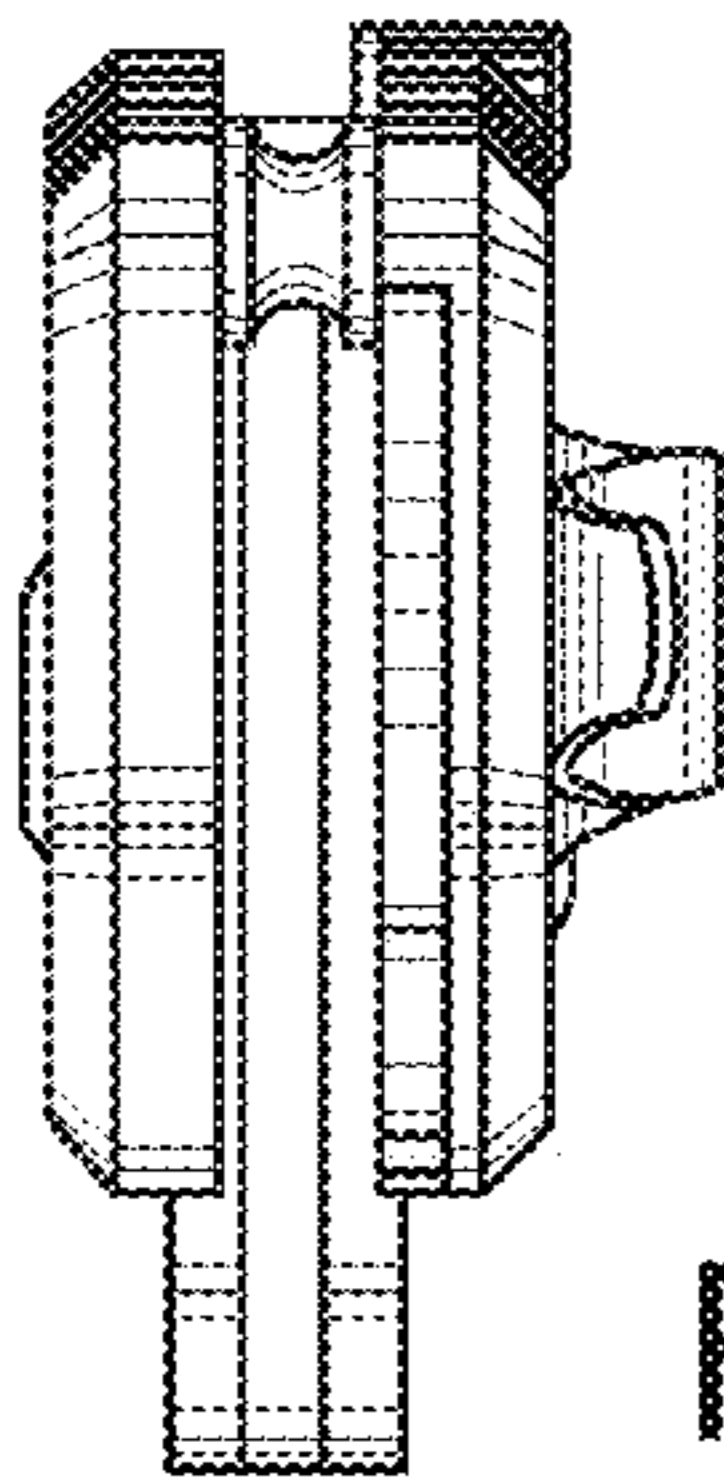


FIG. 3

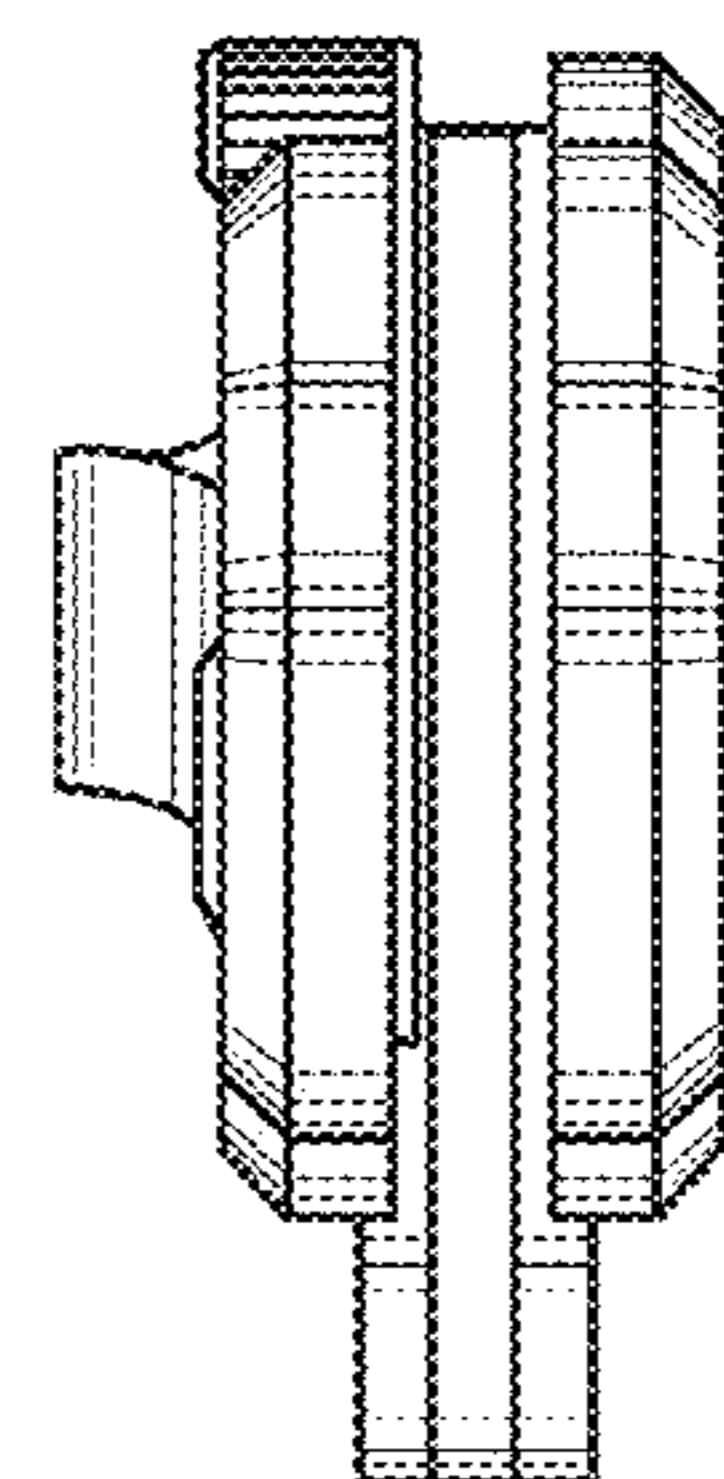


FIG. 4

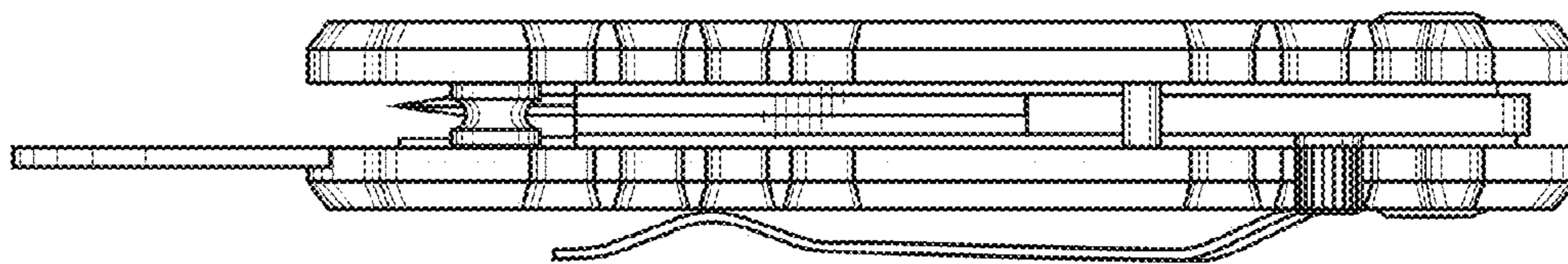


FIG. 5

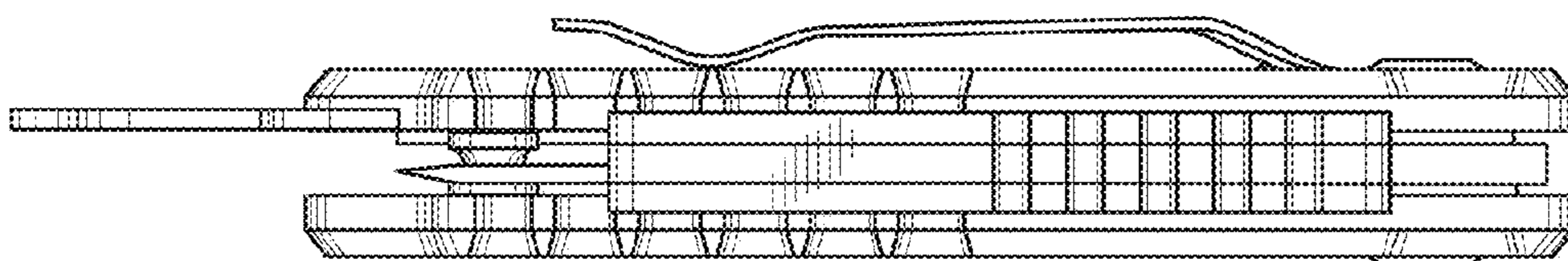


FIG. 6

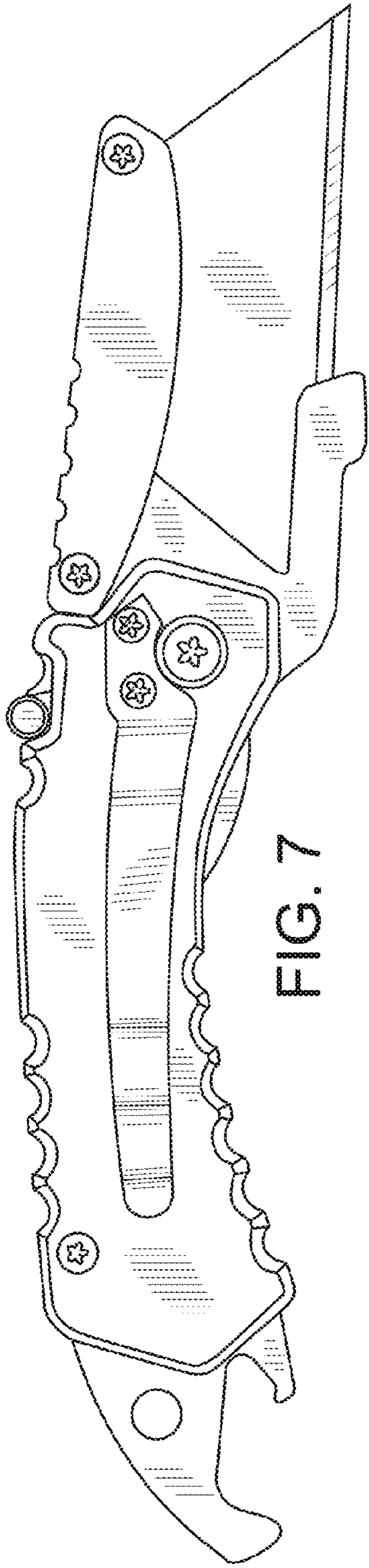


FIG. 7

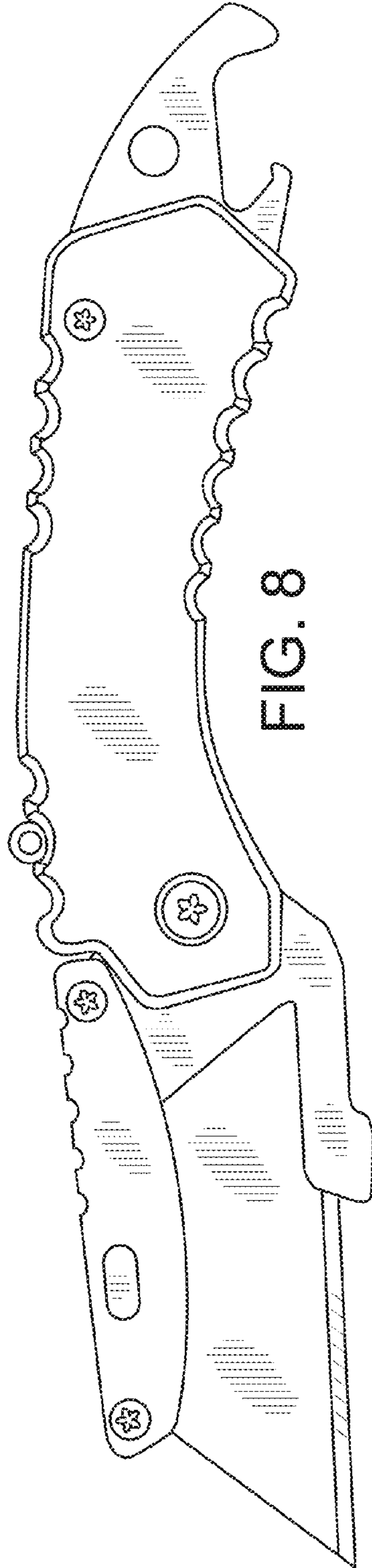


FIG. 8

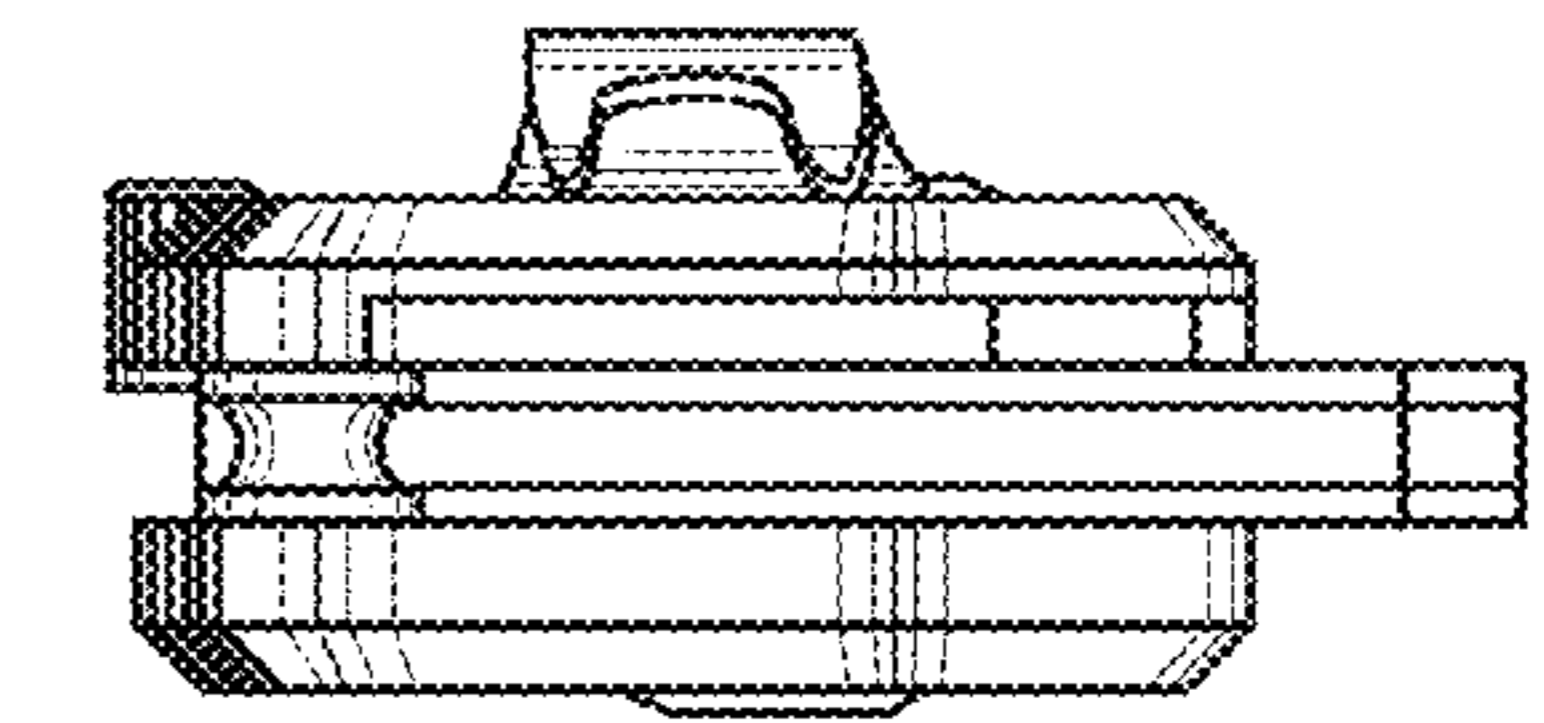


FIG. 9

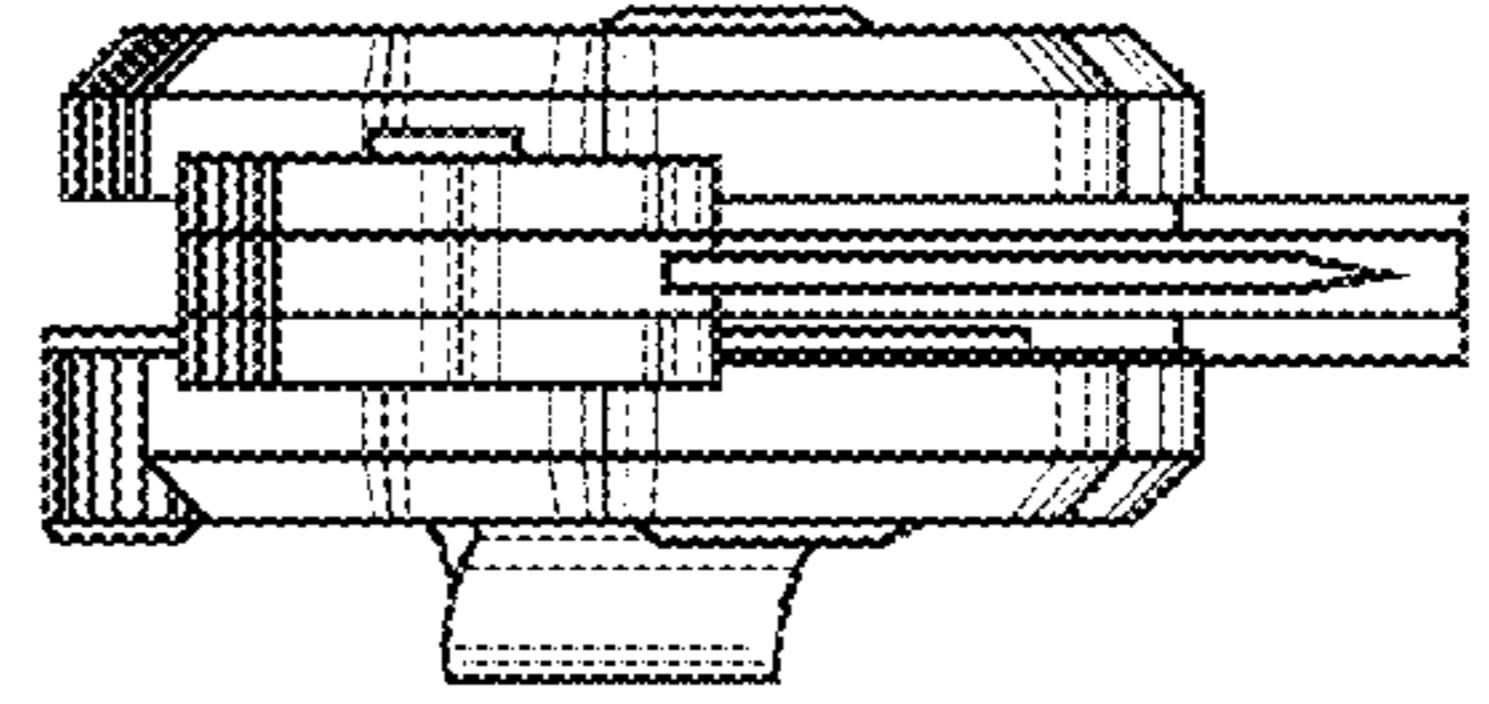


FIG. 10

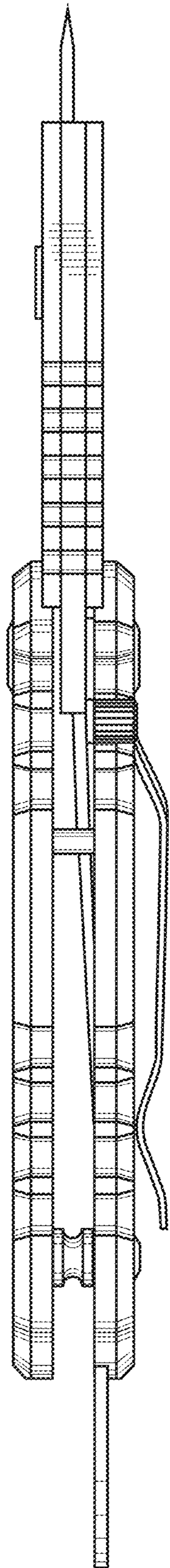


FIG. 11

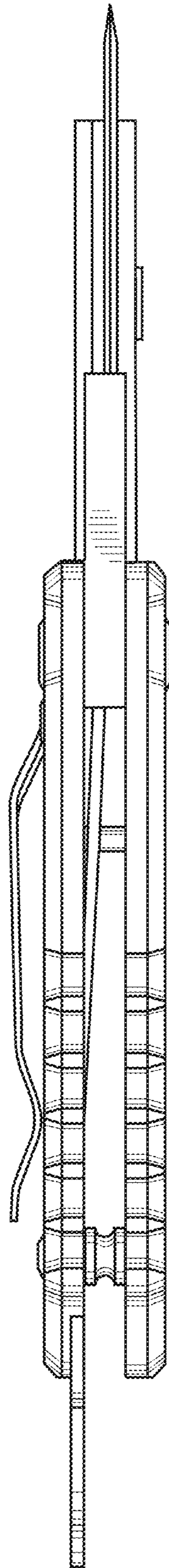


FIG. 12

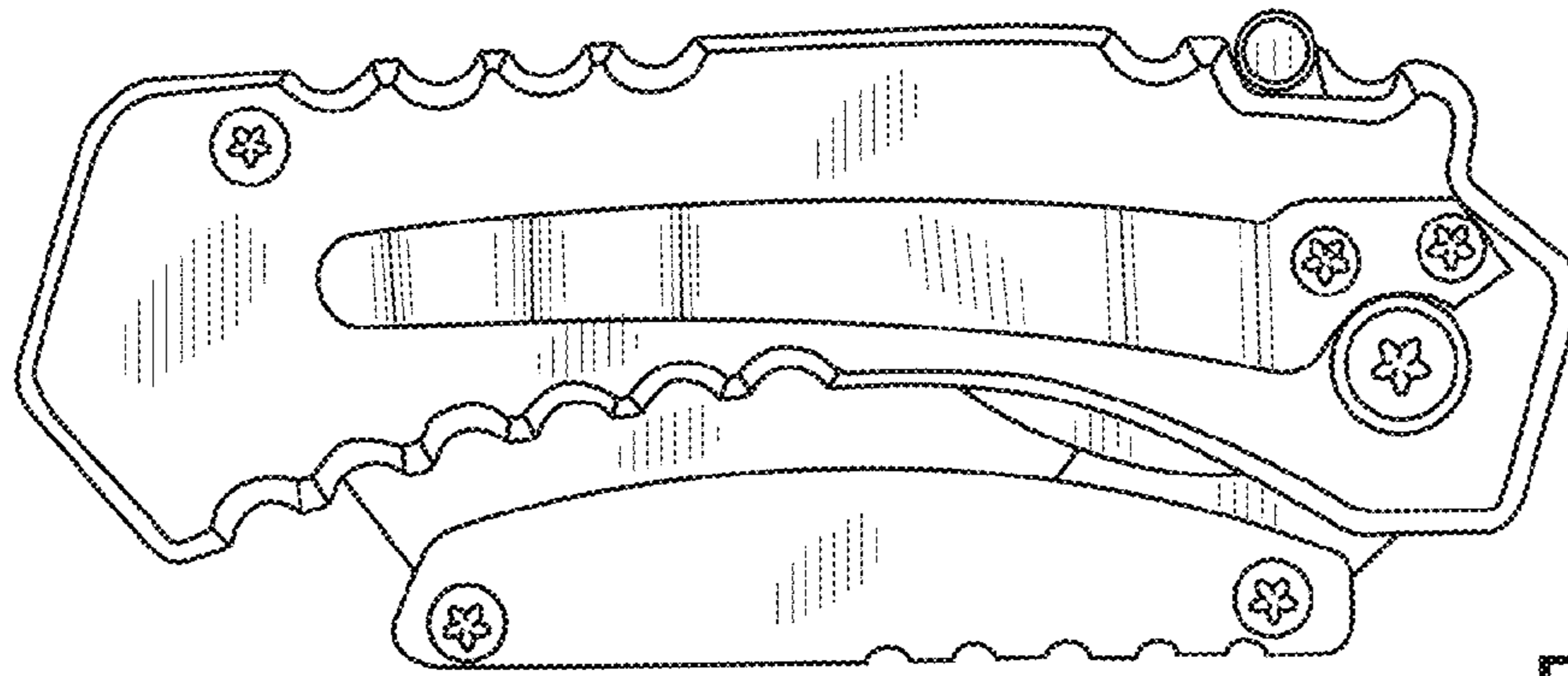


FIG. 13

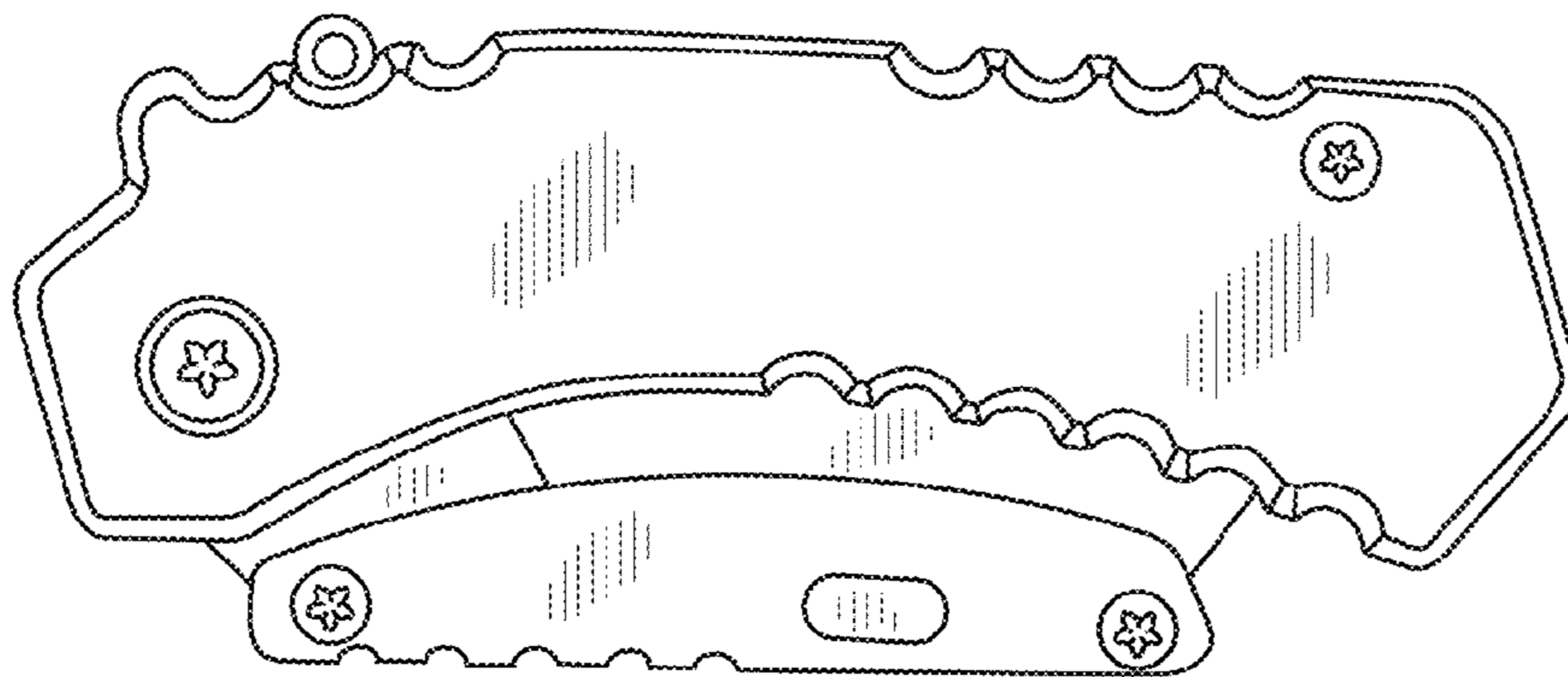


FIG. 14

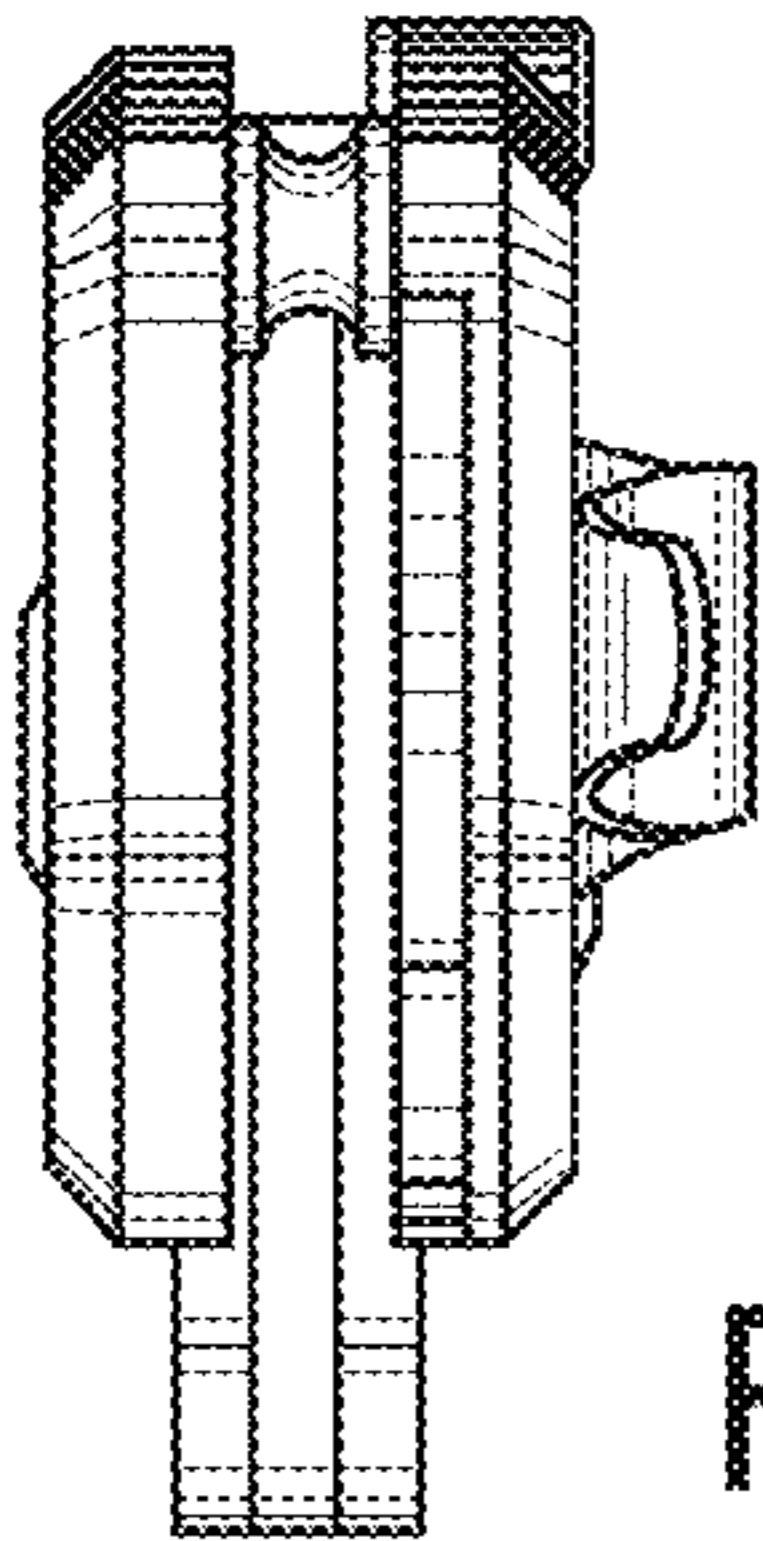


FIG. 15

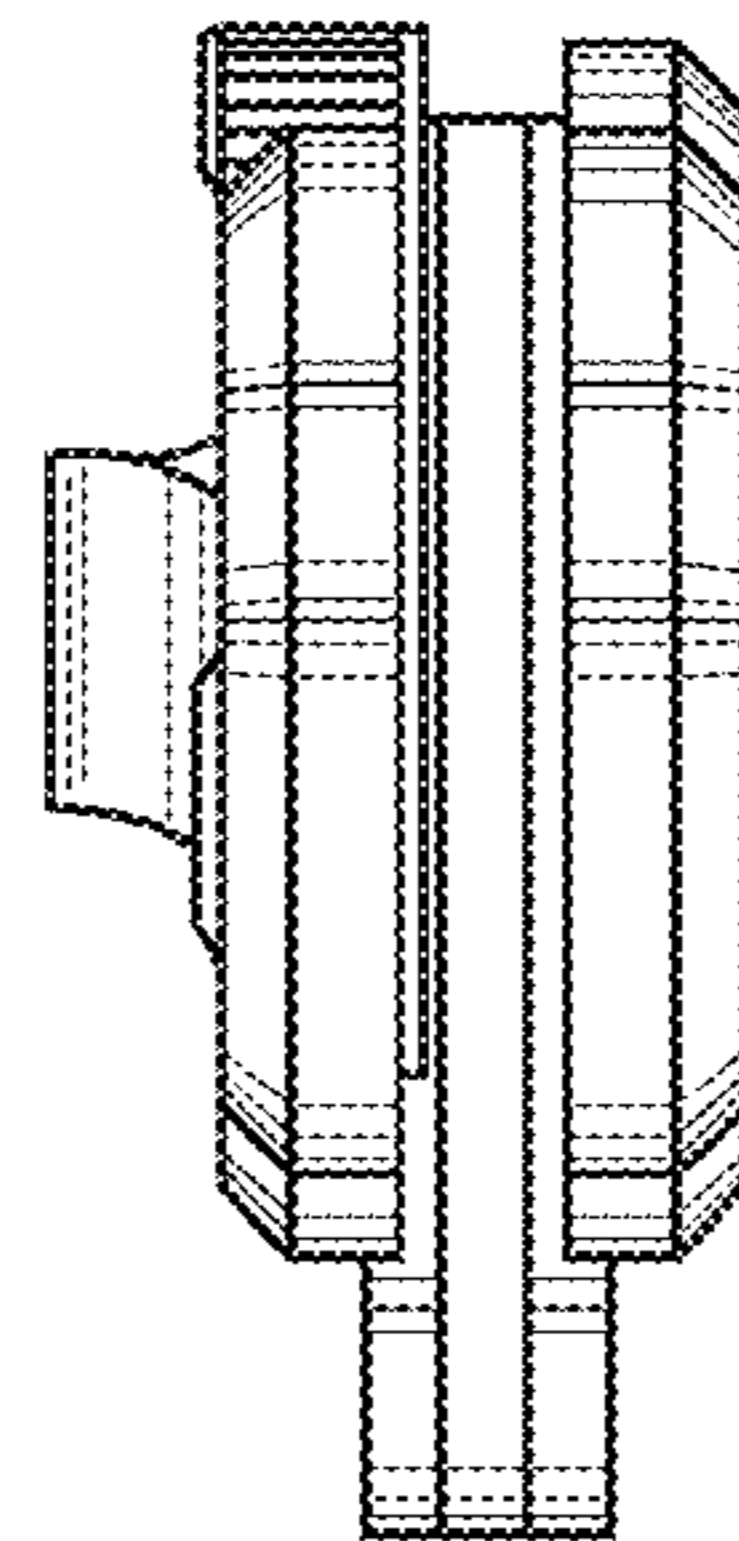


FIG. 16



FIG. 17

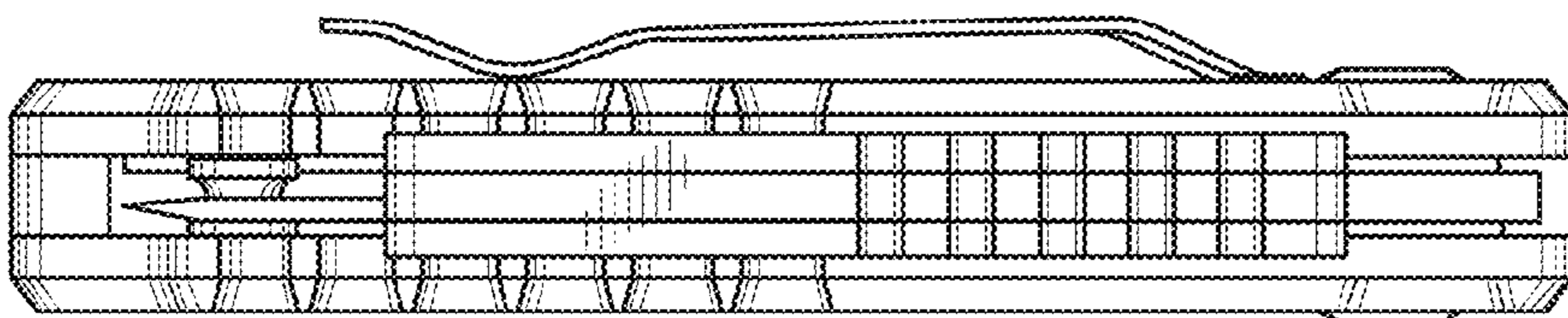


FIG. 18

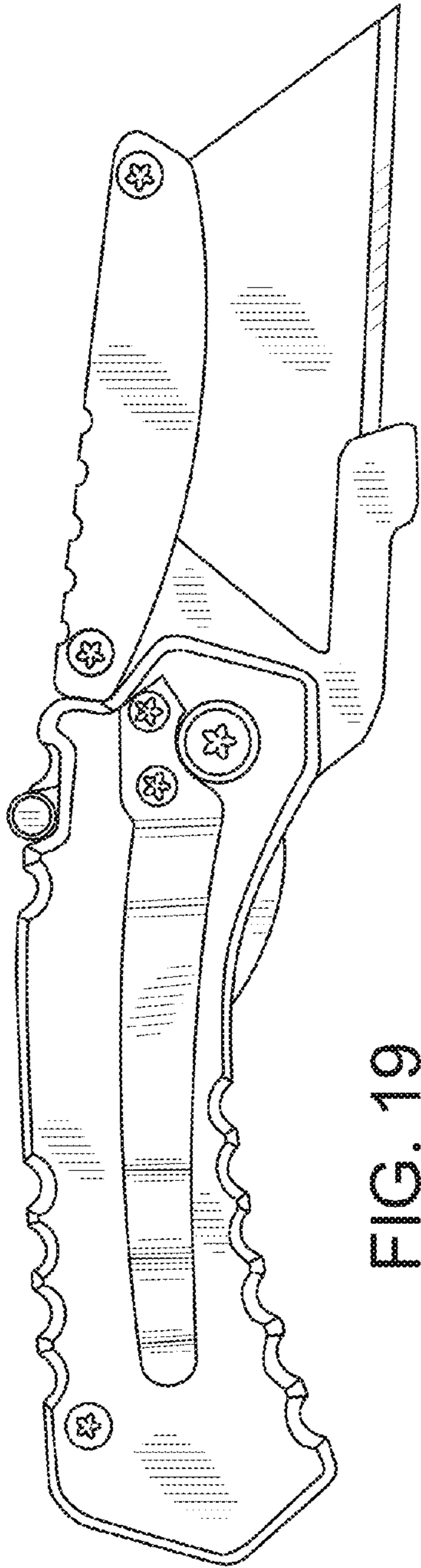


FIG. 19

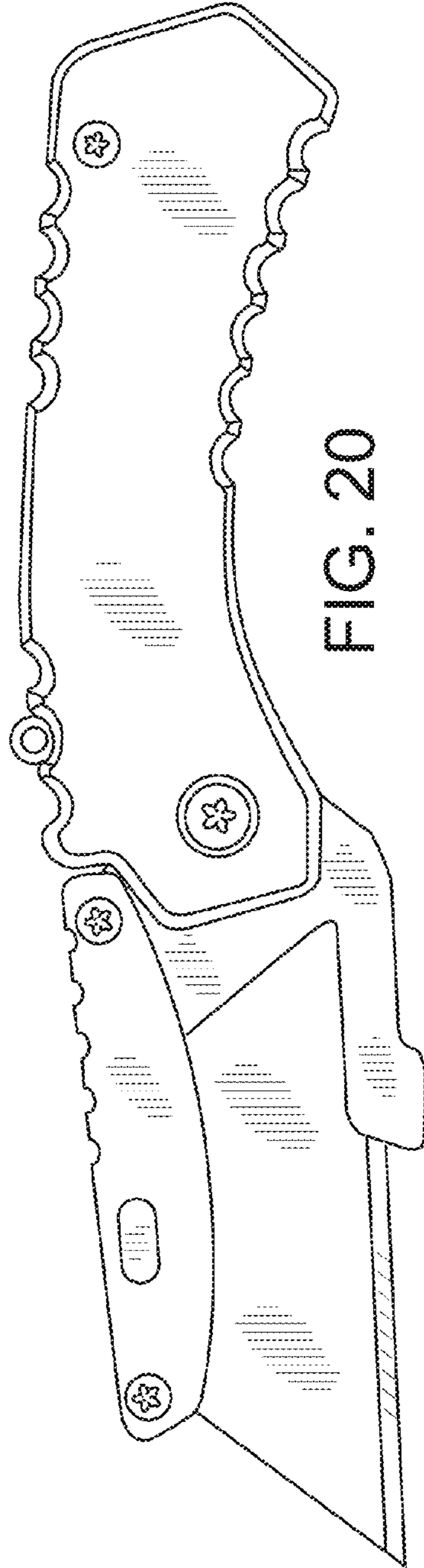


FIG. 20

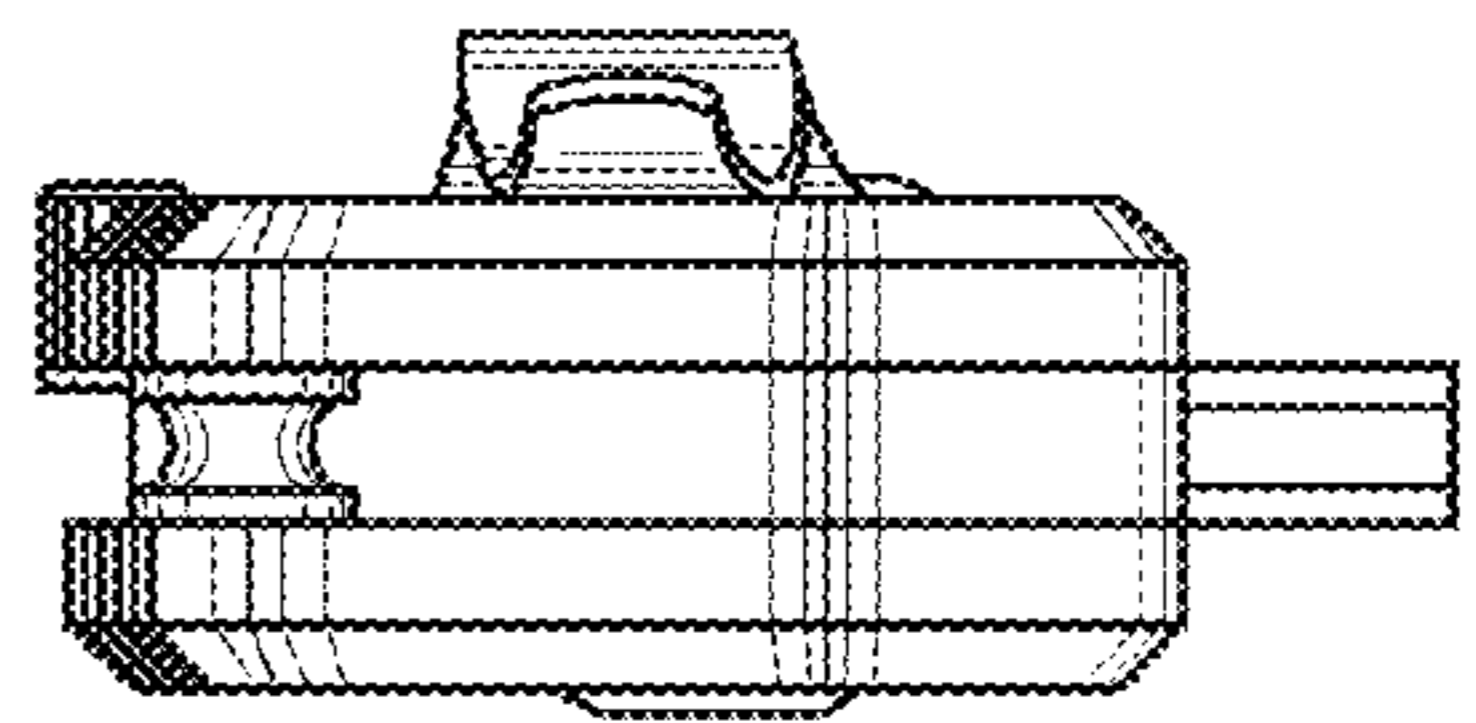


FIG. 21

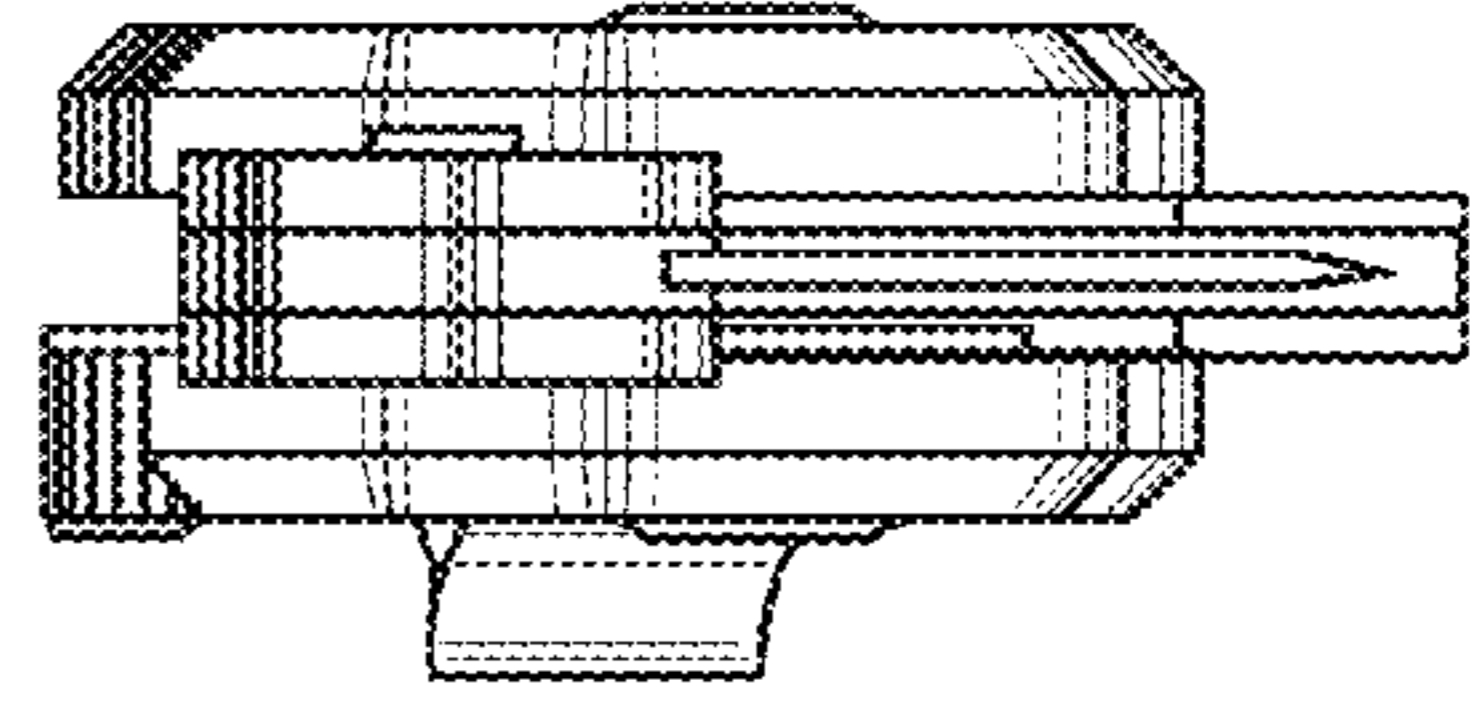


FIG. 22

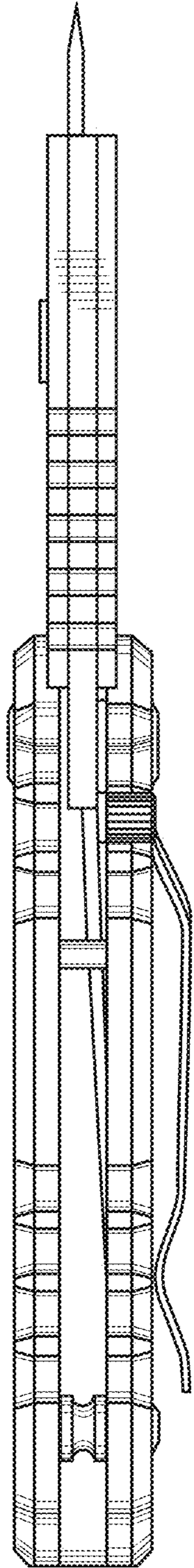


FIG. 23

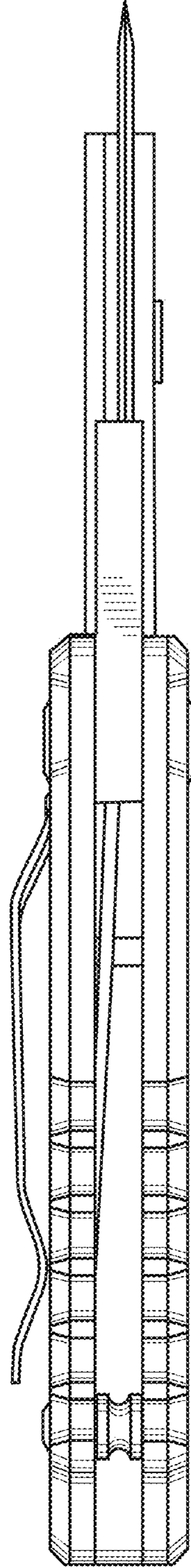


FIG. 24