

US00D920068S

(12) **United States Design Patent**  
**Zhang**

(10) **Patent No.:** **US D920,068 S**

(45) **Date of Patent:** **\*\* May 25, 2021**

(54) **RATCHET HANDLE**

(71) Applicant: **Jinhui Zhang**, Zhangjiagang (CN)

(72) Inventor: **Jinhui Zhang**, Zhangjiagang (CN)

(73) Assignee: **ZHANGJIAGANG SMK MFG. CO., LTD**, Zhangjiagang (CN)

(\*\*) Term: **15 Years**

(21) Appl. No.: **29/711,060**

(22) Filed: **Oct. 28, 2019**

(51) **LOC (13) Cl.** ..... **08-05**

(52) **U.S. Cl.**  
USPC ..... **D8/51**

(58) **Field of Classification Search**  
USPC ..... D8/14, 44, 51, 107  
CPC ..... B25B 25/00; B21F 9/00; B60P 7/0823;  
B60P 7/083; B60P 7/0846; Y10T 24/21;  
Y10T 24/2117

See application file for complete search history.

(56) **References Cited**

**U.S. PATENT DOCUMENTS**

D494,831 S *	8/2004	Buchter	.....	D8/107
7,360,753 B1 *	4/2008	Lin	.....	B25B 25/00 24/69 ST
7,448,596 B1 *	11/2008	Chang	.....	B25B 25/00 24/69 ST
D642,031 S *	7/2011	Pehar	.....	D8/44
8,037,580 B2 *	10/2011	Huang	.....	B60P 7/0846 24/68 CD

D805,377 S *	12/2017	Breedon, III	.....	D8/383
D894,701 S *	9/2020	Repic	.....	D8/44
2010/0322737 A1 *	12/2010	Huang	.....	B60P 7/083 410/100
2011/0119877 A1 *	5/2011	Jackson	.....	F21V 33/0084 24/68 CD
2012/0110801 A1 *	5/2012	Joubert	.....	B60P 7/0846 24/68 CD
2012/0205601 A1 *	8/2012	Joubert	.....	B60P 7/083 254/217
2012/0246895 A1 *	10/2012	Lee	.....	B60P 7/083 24/68 E

\* cited by examiner

*Primary Examiner* — Philip S Hyder

(74) *Attorney, Agent, or Firm* — Muncy, Geissler, Olds & Lowe, P.C.

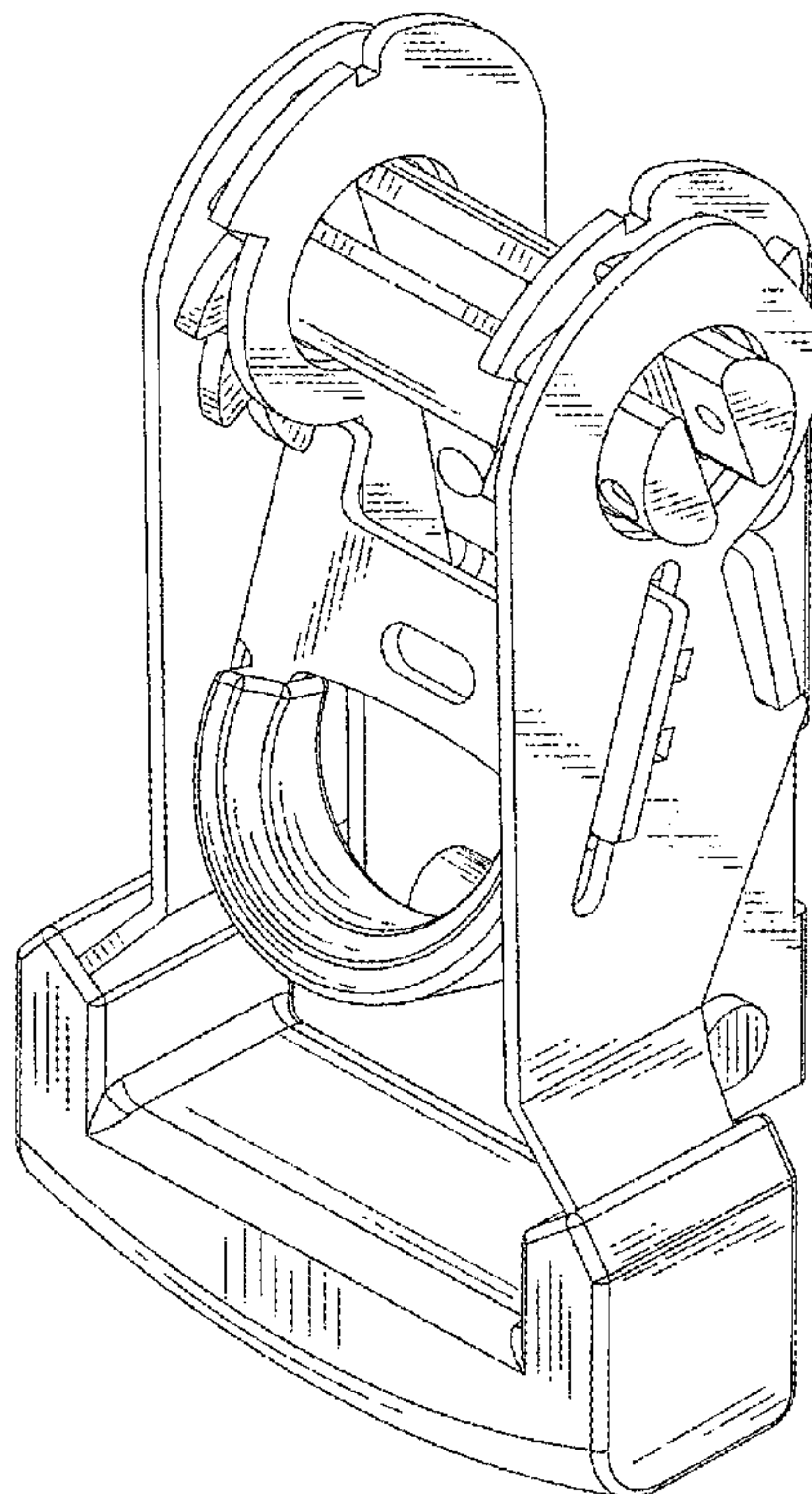
(57) **CLAIM**

The ornamental design for a ratchet handle, as shown and described.

**DESCRIPTION**

FIG. 1 is a perspective view of a ratchet handle showing my new design;  
FIG. 2 is a front elevation view thereof;  
FIG. 3 is a rear elevation view thereof;  
FIG. 4 is a left side elevation view thereof;  
FIG. 5 is a right side elevation view thereof;  
FIG. 6 is a top plan view thereof; and,  
FIG. 7 is a bottom plan view thereof.

**1 Claim, 7 Drawing Sheets**



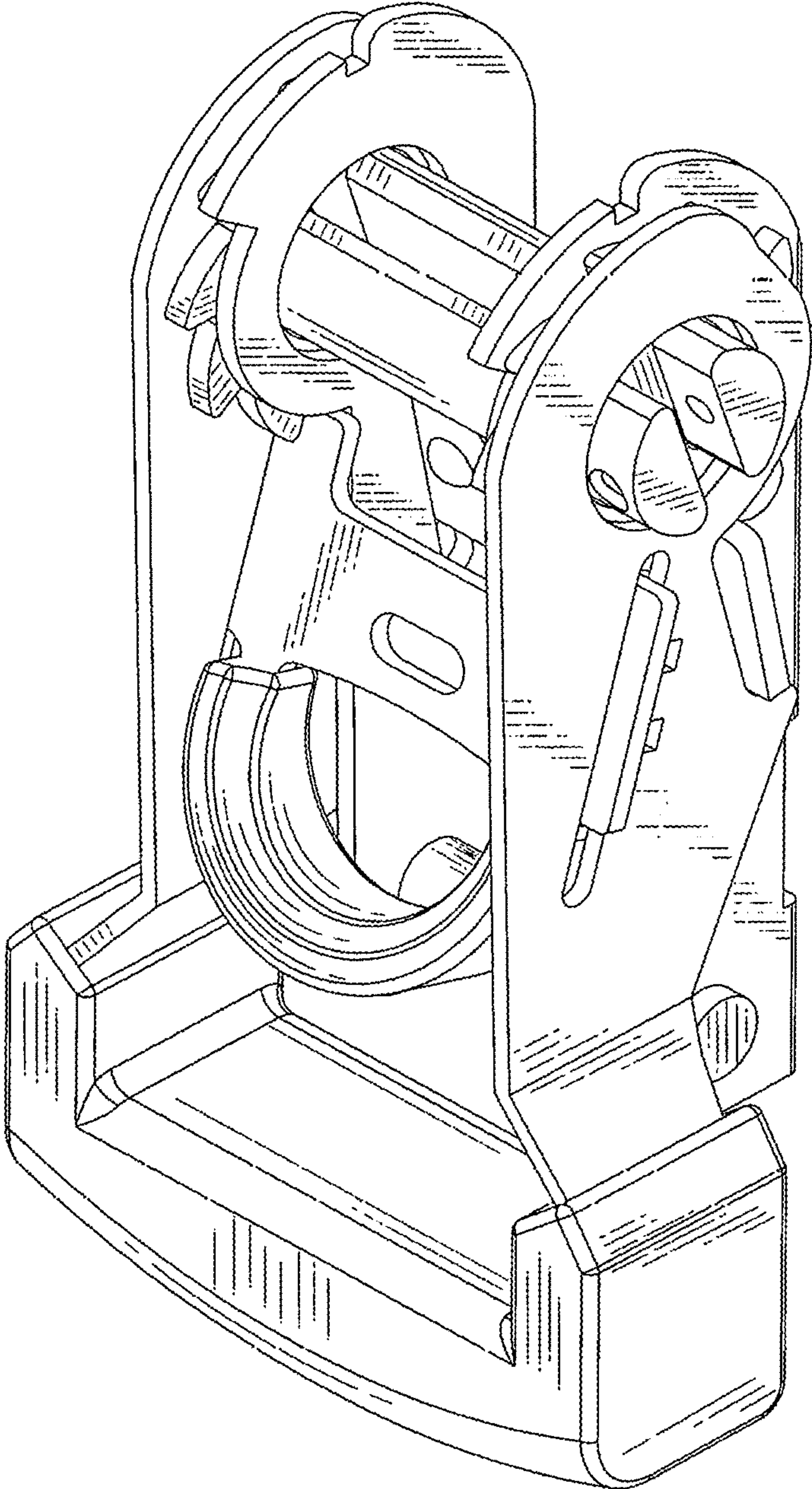


FIG.1

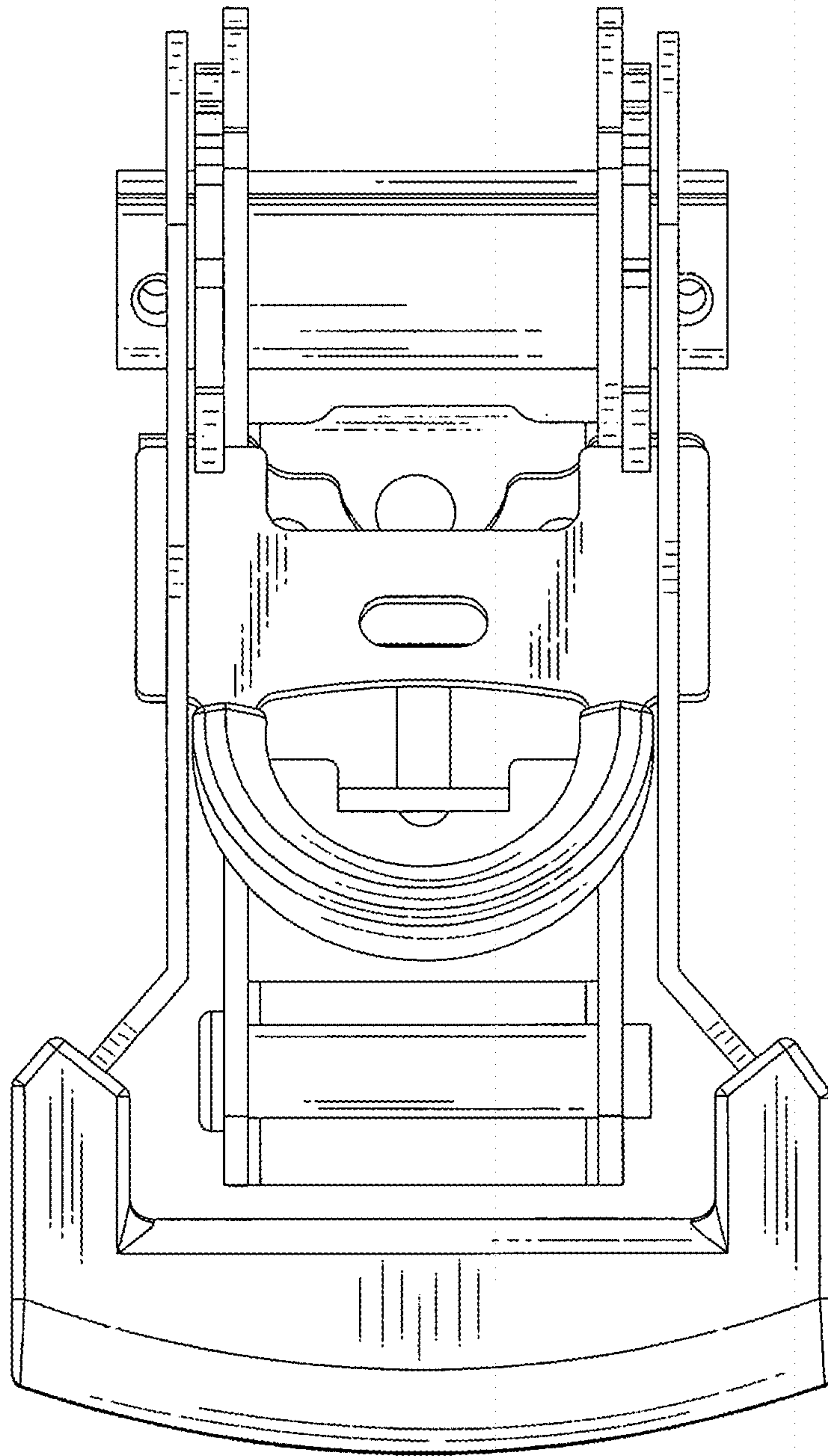


FIG.2



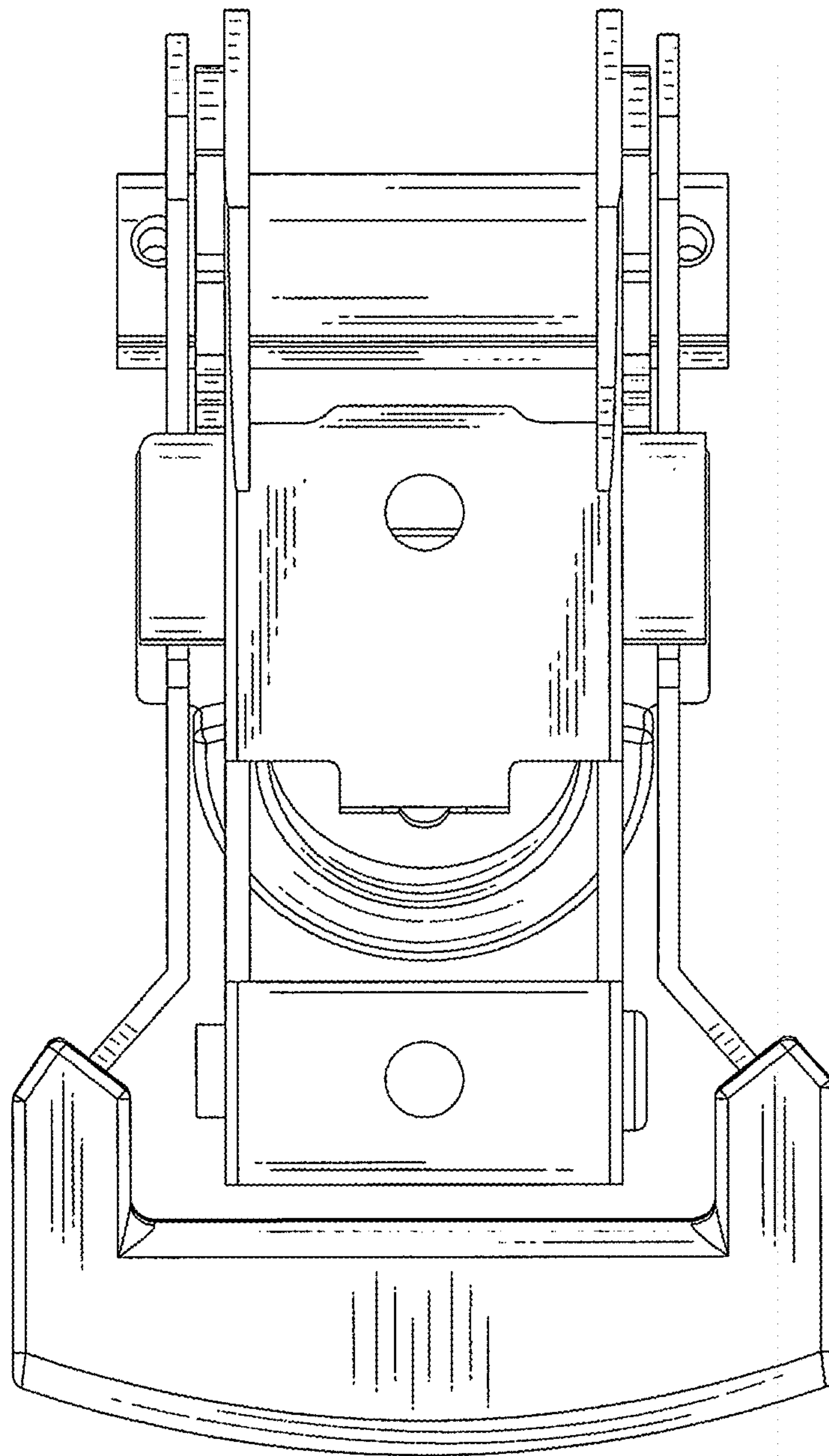


FIG.3

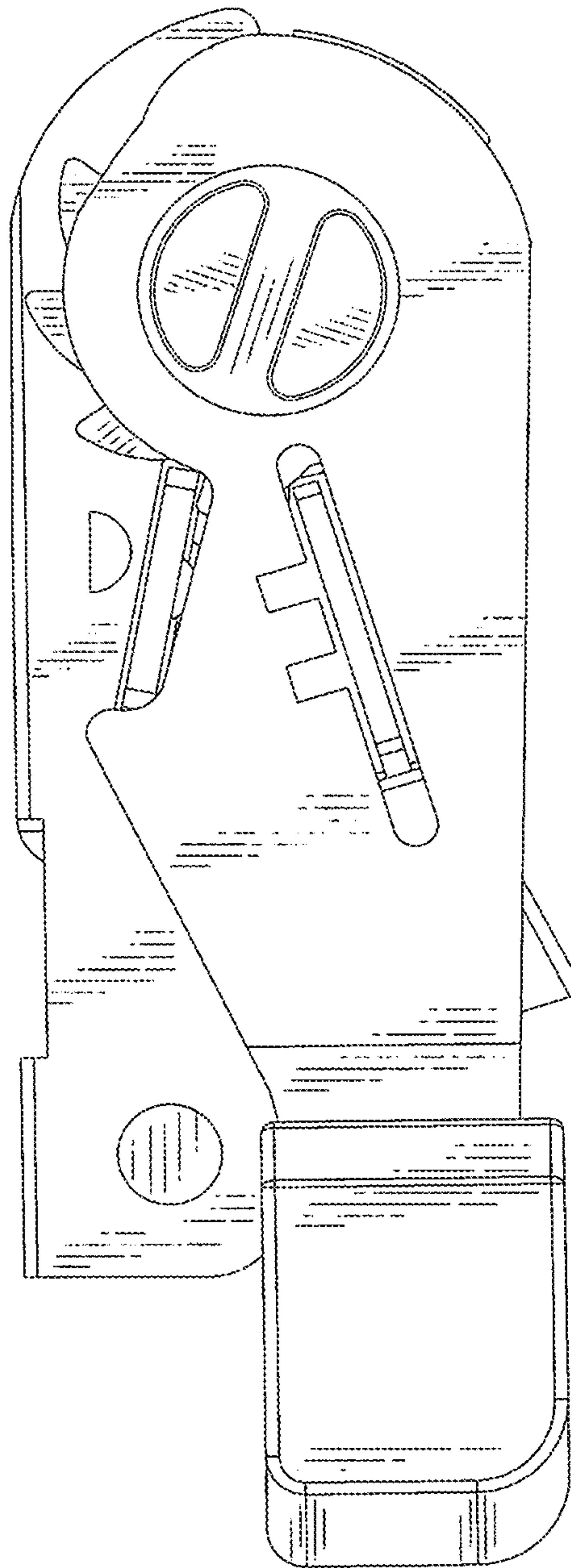


FIG. 4

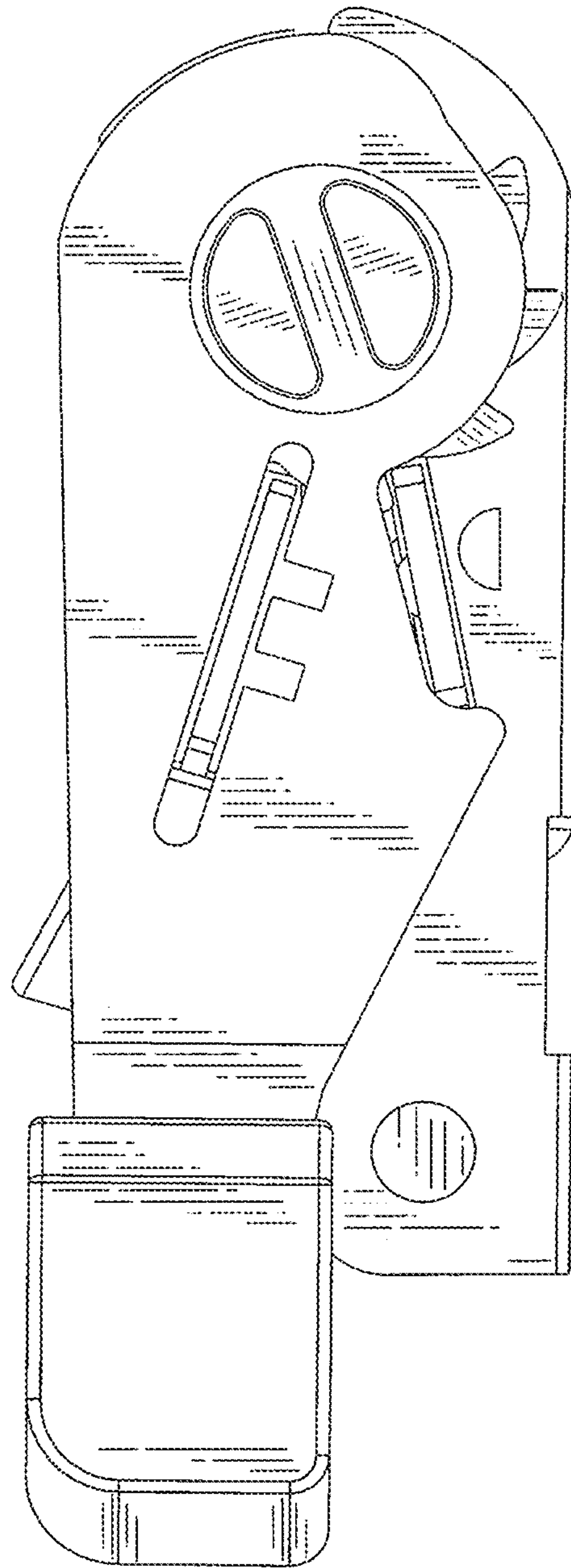


FIG. 5

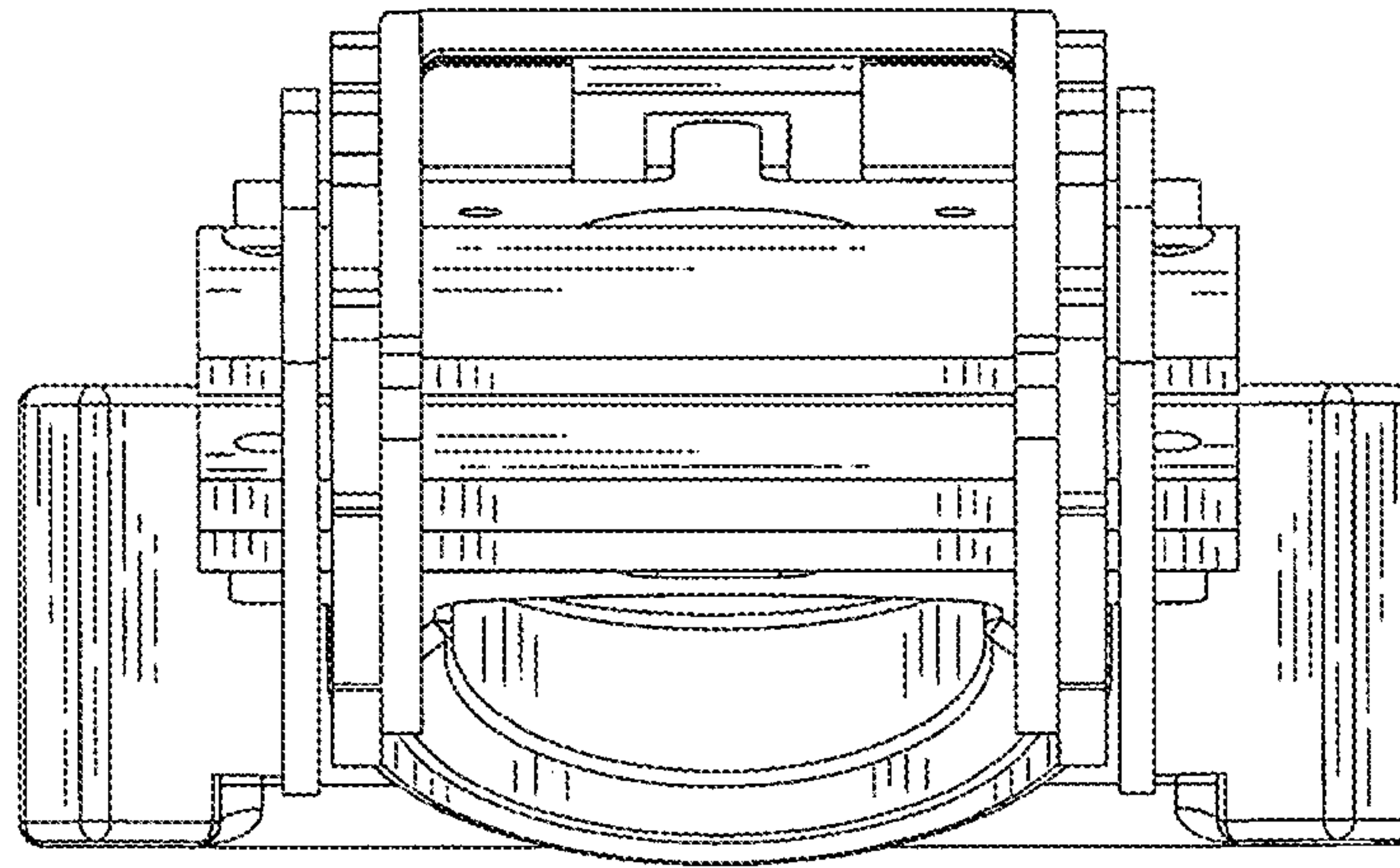


FIG.6

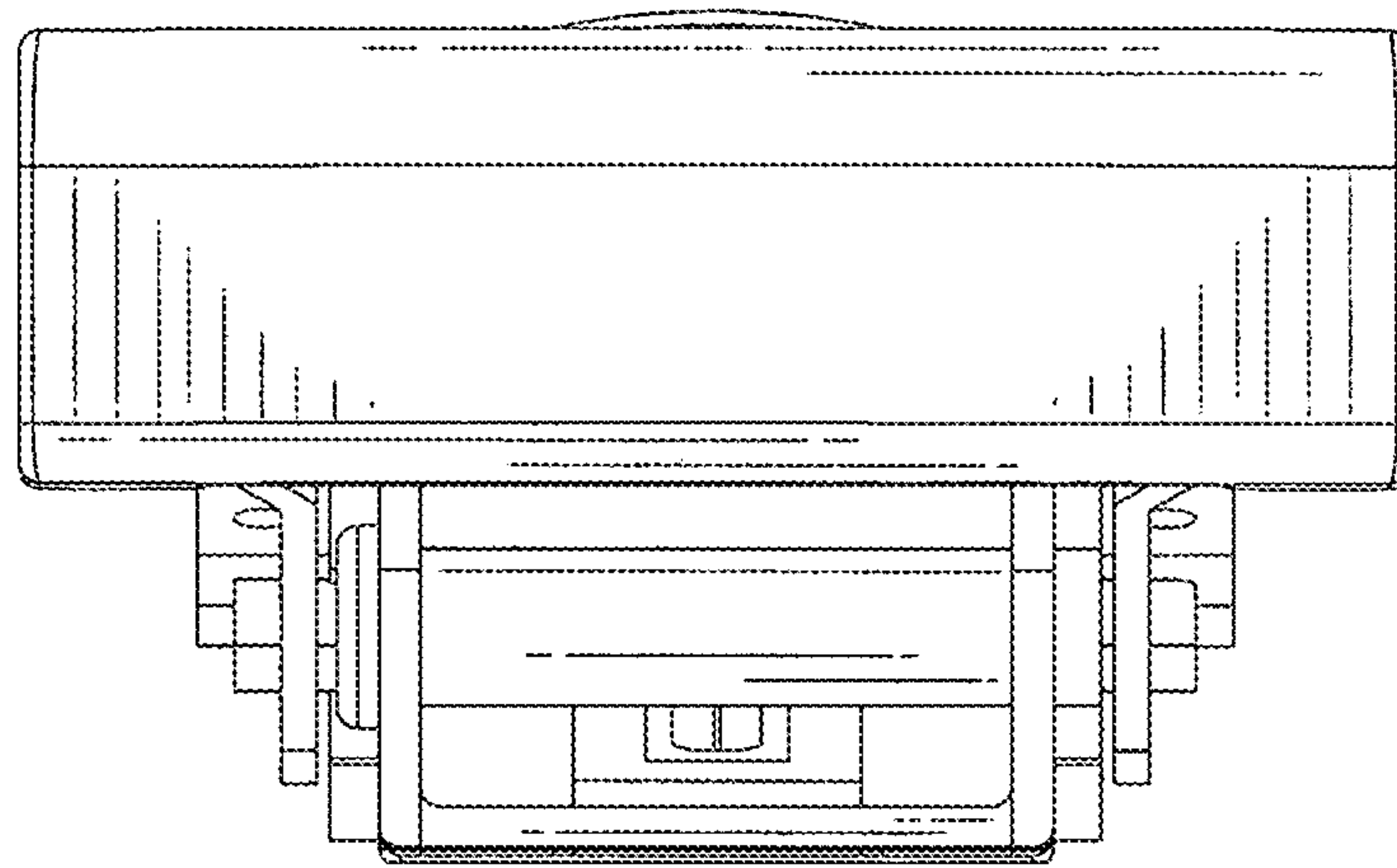


FIG. 7