



US00D920061S

(12) **United States Design Patent**  
**Liao**

(10) **Patent No.:** **US D920,061 S**

(45) **Date of Patent:** **\*\* May 25, 2021**

(54) **PUSH STICK**

(71) Applicant: **Hui-Chuan Liao**, Oakland, CA (US)

(72) Inventor: **Hui-Chuan Liao**, Oakland, CA (US)

(\*\*) Term: **15 Years**

(21) Appl. No.: **29/725,196**

(22) Filed: **Feb. 23, 2020**

(51) **LOC (13) Cl.** ..... **08-05**

(52) **U.S. Cl.**  
USPC ..... **D8/14**

(58) **Field of Classification Search**  
USPC ..... D8/14, 45, 90, 107  
CPC .. B27B 25/10; Y10T 83/6638; Y10T 83/6499  
See application file for complete search history.

(56) **References Cited**

U.S. PATENT DOCUMENTS

- 4,348,925 A \* 9/1982 Manweiler ..... B27B 25/10  
144/251.1
- 4,485,711 A \* 12/1984 Schnell ..... B27B 25/10  
83/425
- D278,022 S \* 3/1985 Ash ..... D7/649
- D278,790 S \* 5/1985 Chaney ..... D8/14
- 5,016,509 A \* 5/1991 Stottman ..... B27B 25/10  
294/15
- 5,678,457 A \* 10/1997 Hals ..... B62K 21/14  
74/551.3
- 5,692,425 A \* 12/1997 Sterling ..... B27B 25/10  
83/425
- 6,044,740 A \* 4/2000 Werkheiser ..... B27B 25/10  
144/245.1
- 6,135,521 A \* 10/2000 Wirth, Jr. .... B27B 25/10  
294/15
- D449,209 S \* 10/2001 Aigner ..... D8/14
- 7,146,890 B1 \* 12/2006 Rowe ..... B27B 25/10  
83/13

- D561,791 S \* 2/2008 Kozina ..... D15/142
- 7,540,224 B2 \* 6/2009 Wang ..... B27B 25/10  
83/436.2
- 7,886,641 B2 \* 2/2011 Wirth, Jr. .... B27B 25/10  
83/13
- D665,638 S \* 8/2012 Krohmer ..... D8/14
- D666,684 S \* 9/2012 Meininger ..... D21/662
- 9,199,390 B2 \* 12/2015 Wang ..... B27B 25/10
- D746,596 S \* 1/2016 Zemel ..... D4/129
- D804,921 S \* 12/2017 Neubauer ..... D8/14
- 10,384,366 B2 \* 8/2019 Cooley ..... B27B 27/08
- D909,837 S \* 2/2021 Patel ..... D8/14
- D914,474 S \* 3/2021 Hall ..... D8/14
- 2005/0092152 A1 \* 5/2005 Wirth, Jr. .... B27B 25/10  
83/436.2
- 2006/0123961 A1 \* 6/2006 Fontaine ..... B27B 25/10  
83/436.2
- 2014/0260864 A1 \* 9/2014 Wang ..... B27B 25/10  
83/436.2

\* cited by examiner

*Primary Examiner* — Philip S Hyder

(74) *Attorney, Agent, or Firm* — Pai Patent & Trademark Law Firm; Chao-Chang David Pai

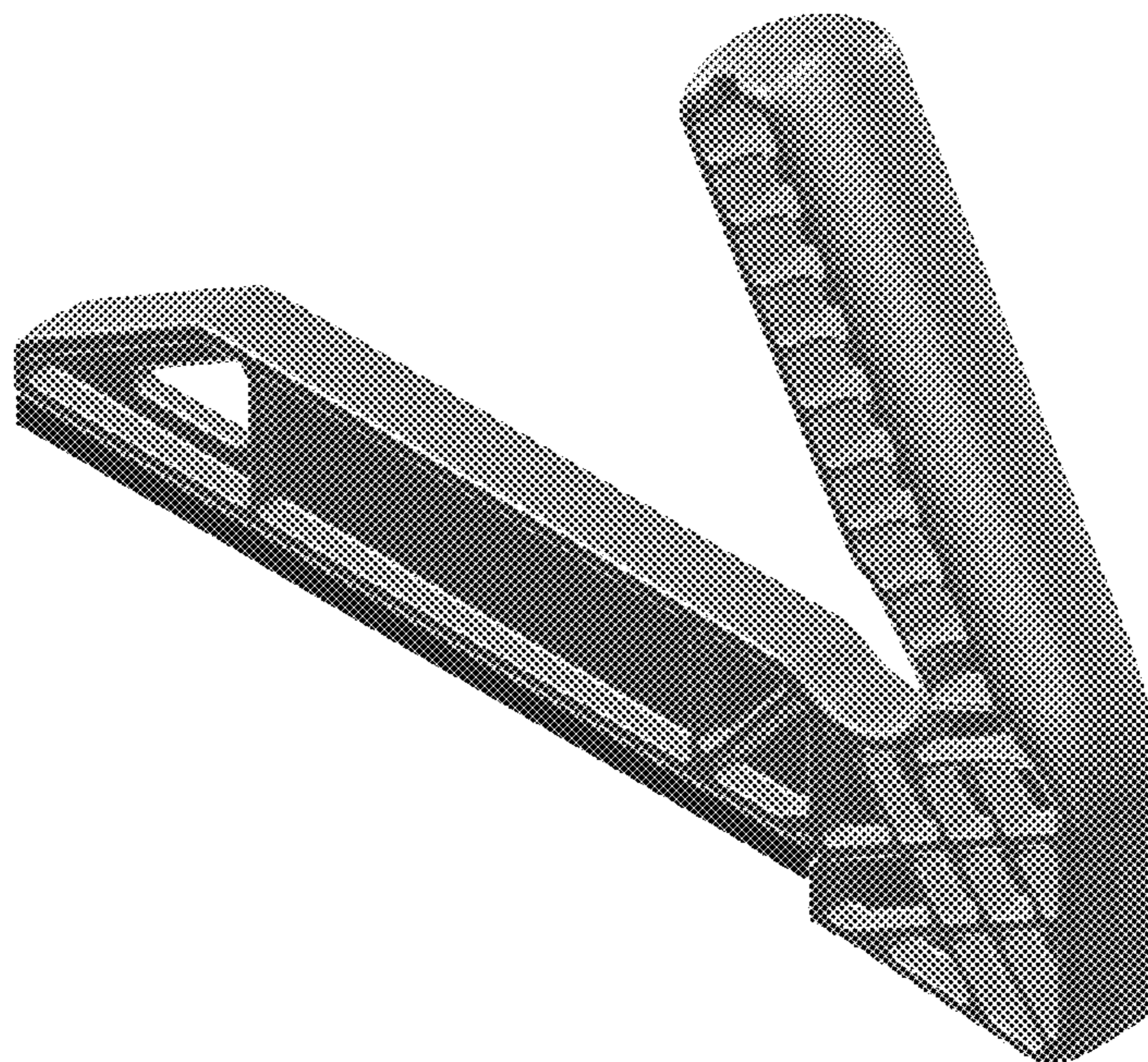
(57) **CLAIM**

The ornamental design for a push stick, as shown.

**DESCRIPTION**

FIG. 1 is a perspective view of a push stick, showing my new design;  
FIG. 2 is another perspective view thereof;  
FIG. 3 is a front view thereof;  
FIG. 4 is a rear view thereof;  
FIG. 5 is a left side view thereof;  
FIG. 6 is a right side view thereof;  
FIG. 7 is a top view thereof; and,  
FIG. 8 is a bottom view thereof.

**1 Claim, 8 Drawing Sheets**



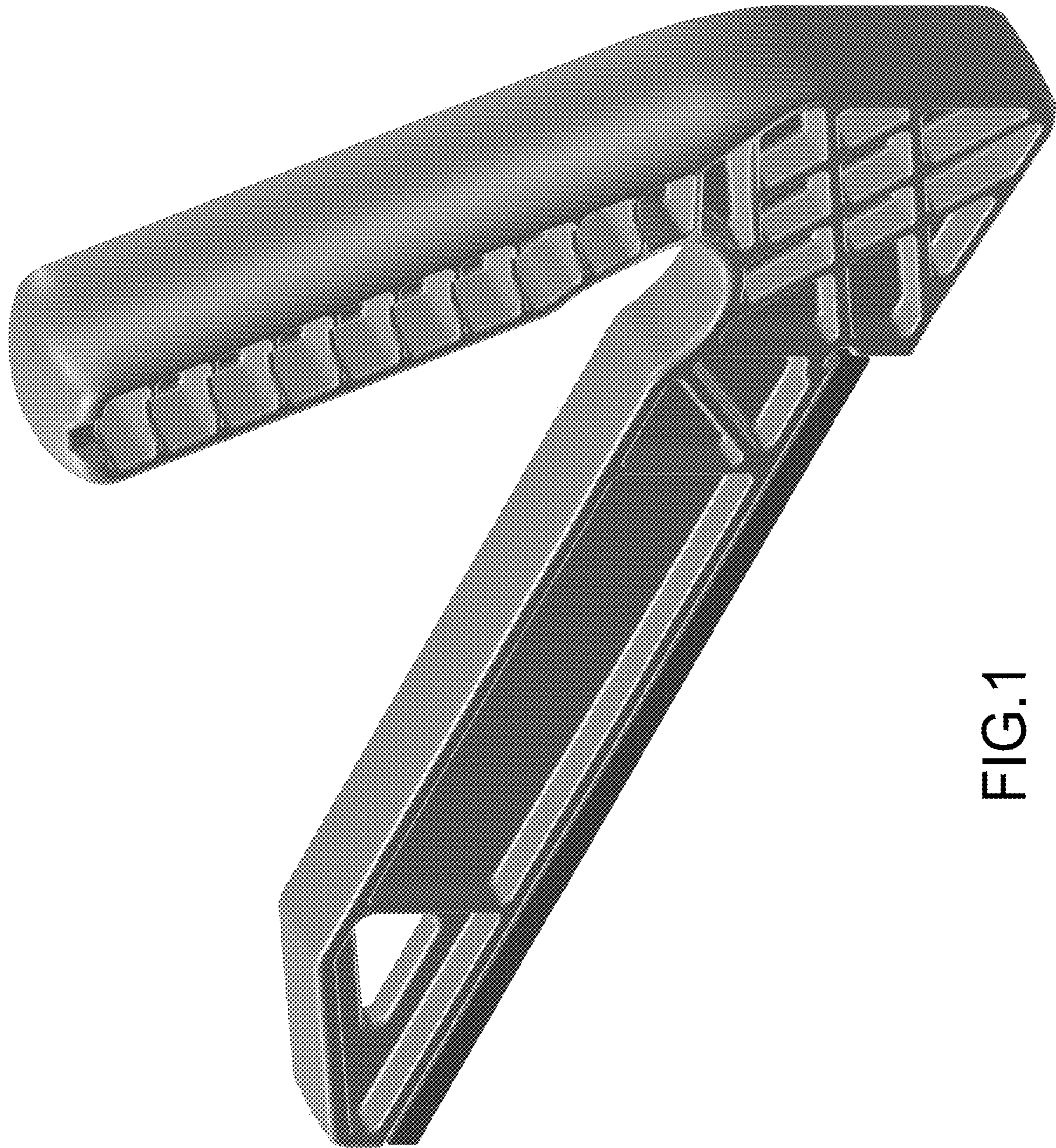


FIG.1

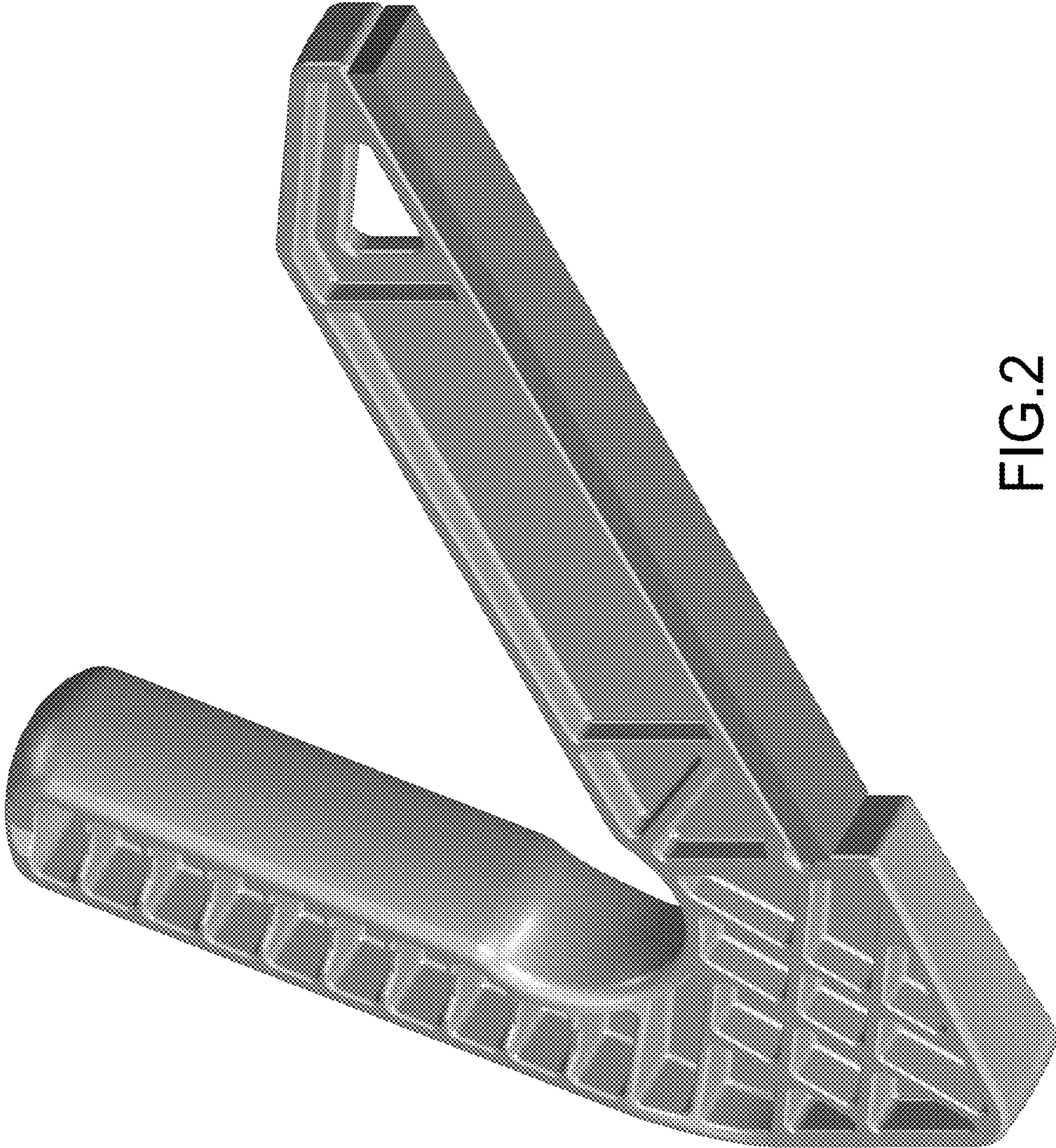


FIG.2

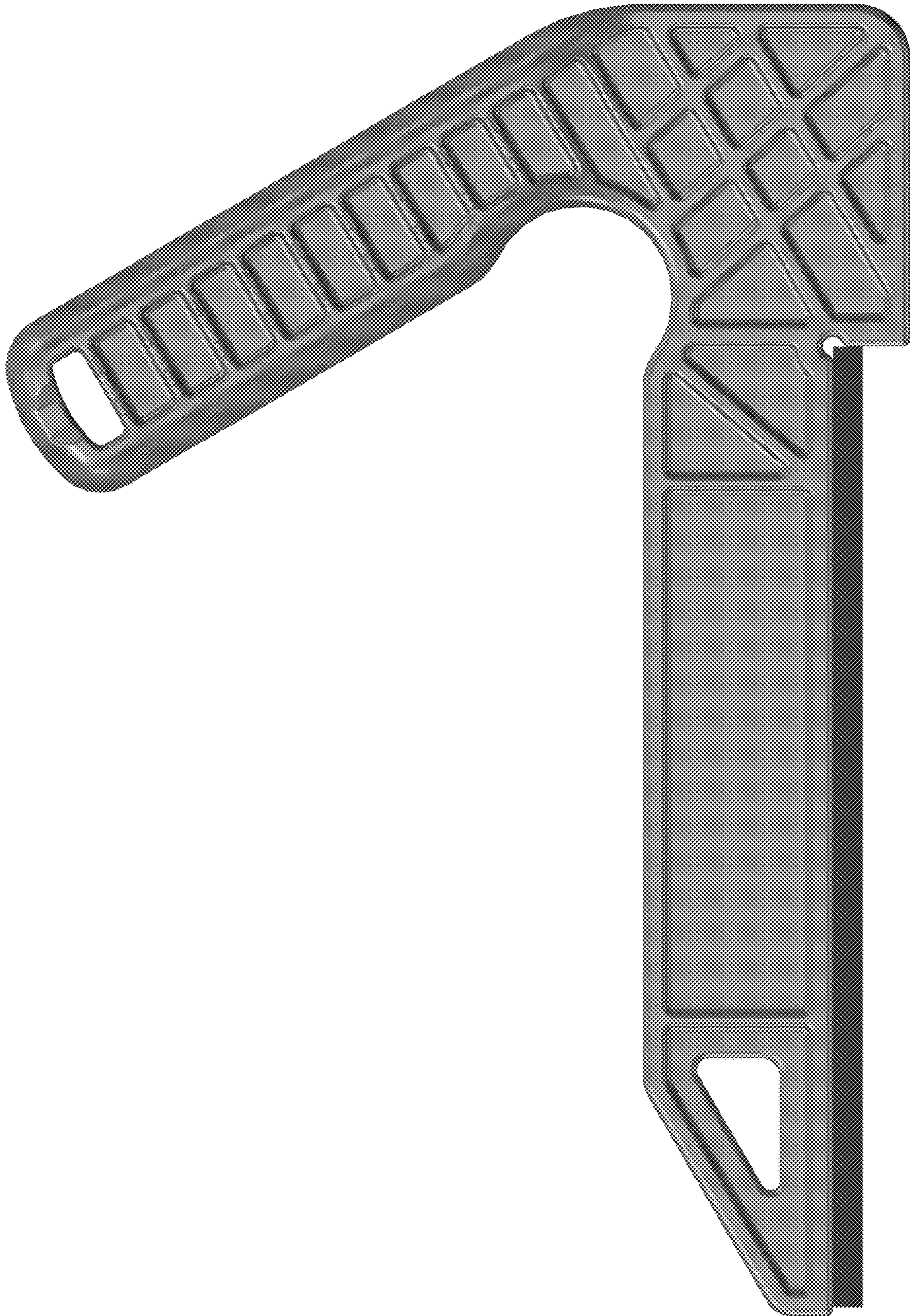


FIG.3

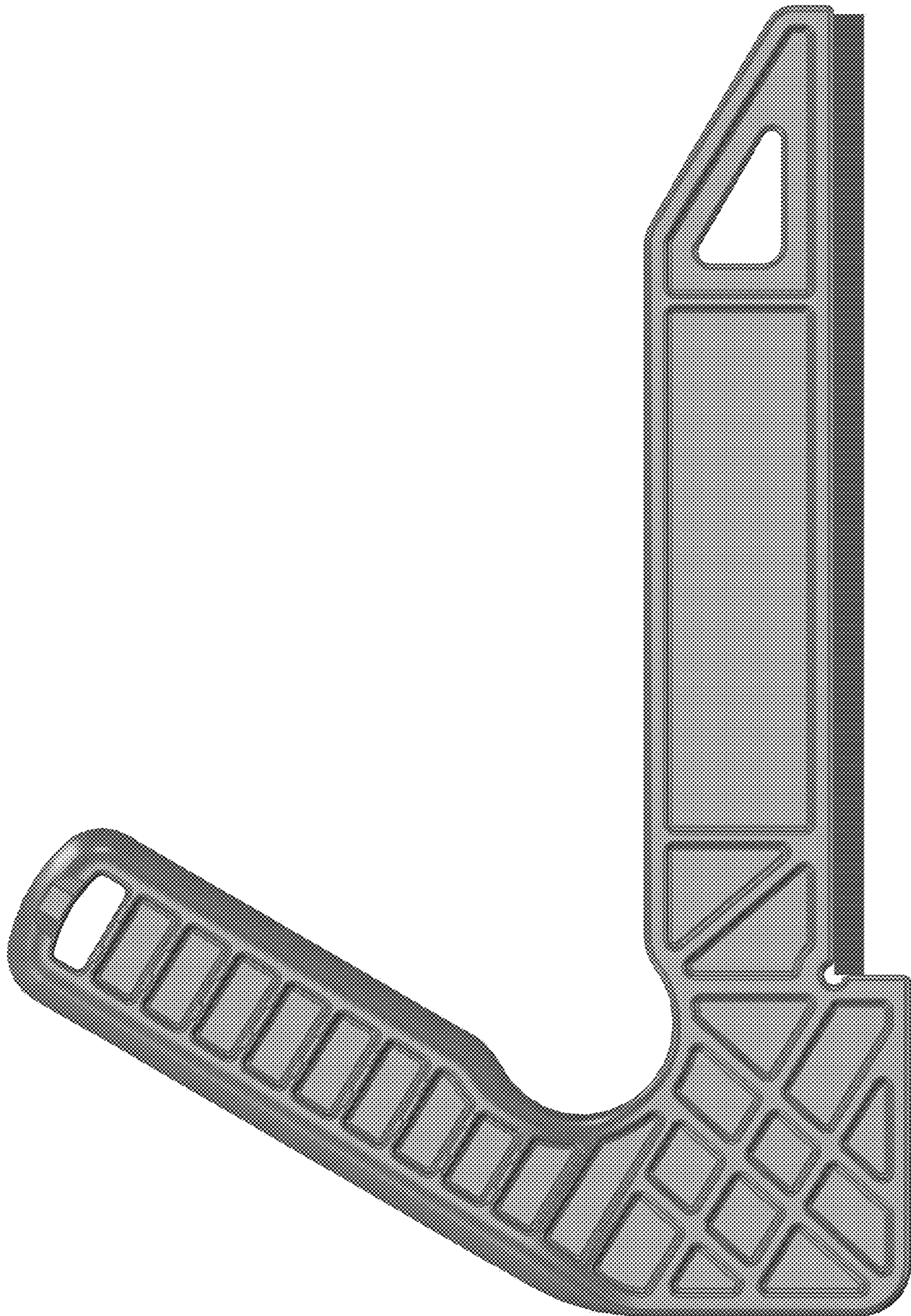


FIG.4

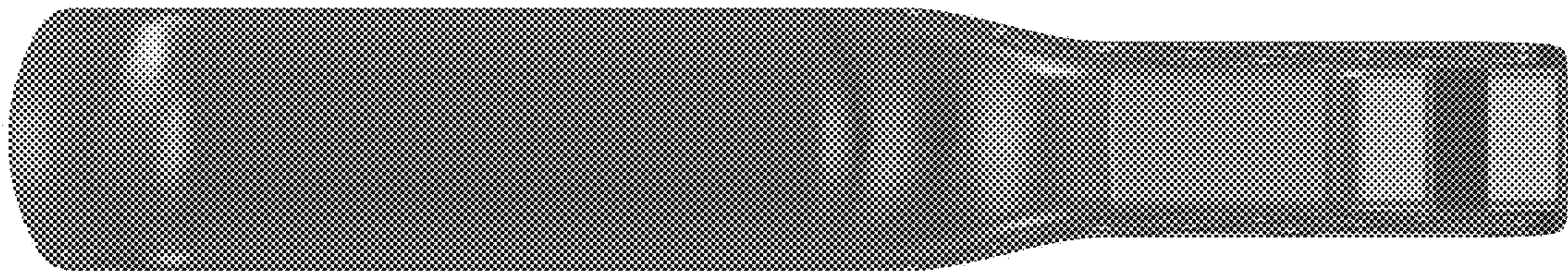


FIG.5

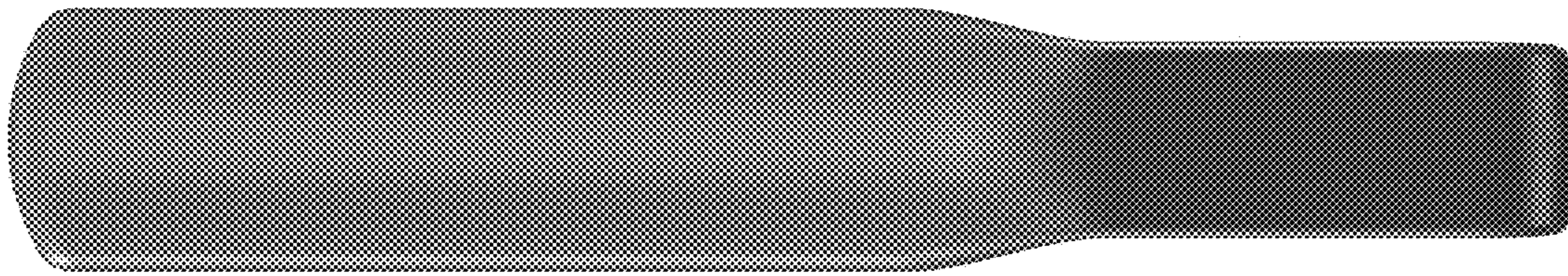


FIG.6

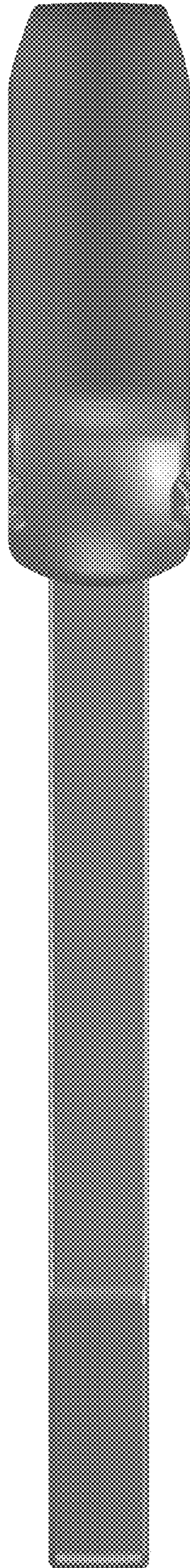


FIG.7



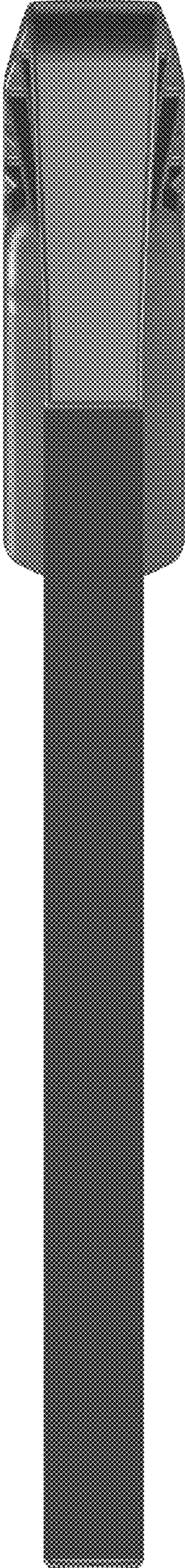


FIG.8