



US00D920058S

(12) **United States Design Patent** (10) **Patent No.:** **US D920,058 S**  
**Fiola** (45) **Date of Patent:** **\*\* May 25, 2021**

- (54) **CUTTING BOARD WITH RECESSED TRAY**
- (71) Applicant: **Salvatore Fiola**, North Venice, FL (US)
- (72) Inventor: **Salvatore Fiola**, North Venice, FL (US)
- (\*\*) Term: **15 Years**
- (21) Appl. No.: **29/728,328**
- (22) Filed: **Mar. 17, 2020**
- (51) **LOC (13) Cl.** ..... **07-04**
- (52) **U.S. Cl.**  
USPC ..... **D7/698**
- (58) **Field of Classification Search**  
USPC ..... D7/505, 543, 549, 550.1, 586, 669,  
D7/698-699; D32/55-57  
CPC ..... A47J 47/00; A47J 47/005; A47J 47/20;  
B26D 7/0006; B26D 7/018; B26D 7/20;  
B23D 21/00; B23K 37/04; B23K 37/053;  
B23Q 16/001  
See application file for complete search history.

D381,564 S *	7/1997	Kolada	.....	D7/698
D390,072 S *	2/1998	Miller	.....	D7/698
D492,884 S *	7/2004	Swope	.....	D7/505
D573,419 S *	7/2008	Kaposi	.....	D7/698
D584,117 S *	1/2009	Curtin	.....	D7/698
D701,095 S *	3/2014	Arvan	.....	D7/698
D755,589 S *	5/2016	Keating	.....	D7/698
D803,640 S *	11/2017	Grimm	.....	D7/698
D838,558 S *	1/2019	Huynh	.....	D7/669

\* cited by examiner

*Primary Examiner* — Ricky Pham

(74) *Attorney, Agent, or Firm* — Justin Luby

(57) **CLAIM**

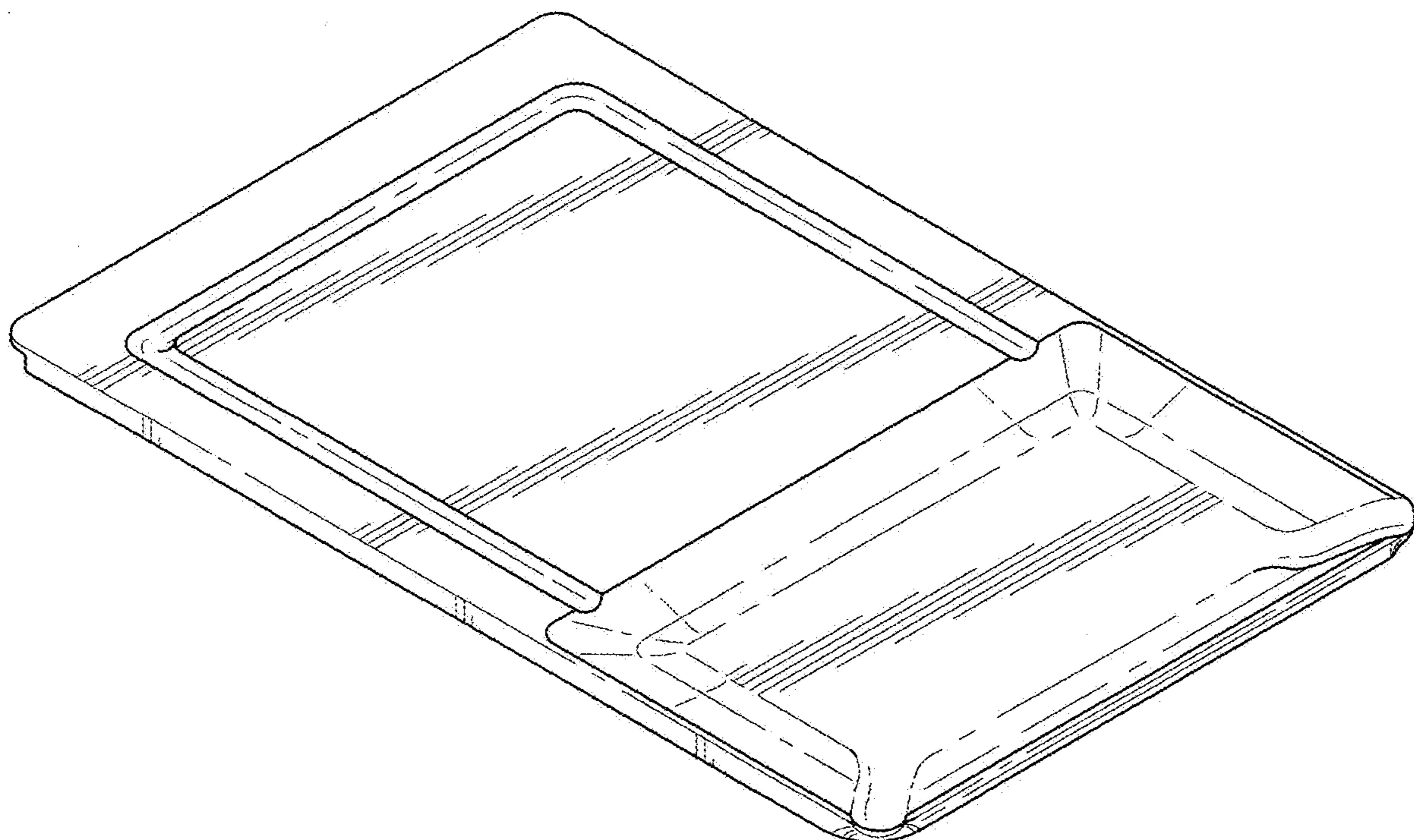
The ornamental design for a cutting board with recessed tray, as shown.

**DESCRIPTION**

FIG. 1 is a front, left side perspective view showing my new design of the cutting board with recessed tray;  
FIG. 2 is a left side view thereof;  
FIG. 3 is a right side view thereof;  
FIG. 4 is a front side view thereof;  
FIG. 5 is a rear side view thereof;  
FIG. 6 is a top view thereof; and,  
FIG. 7 is a bottom view thereof.

**1 Claim, 3 Drawing Sheets**

- (56) **References Cited**  
U.S. PATENT DOCUMENTS  
D259,166 S \* 5/1981 Krusche ..... D7/549  
D372,176 S \* 7/1996 Meisner ..... D7/698



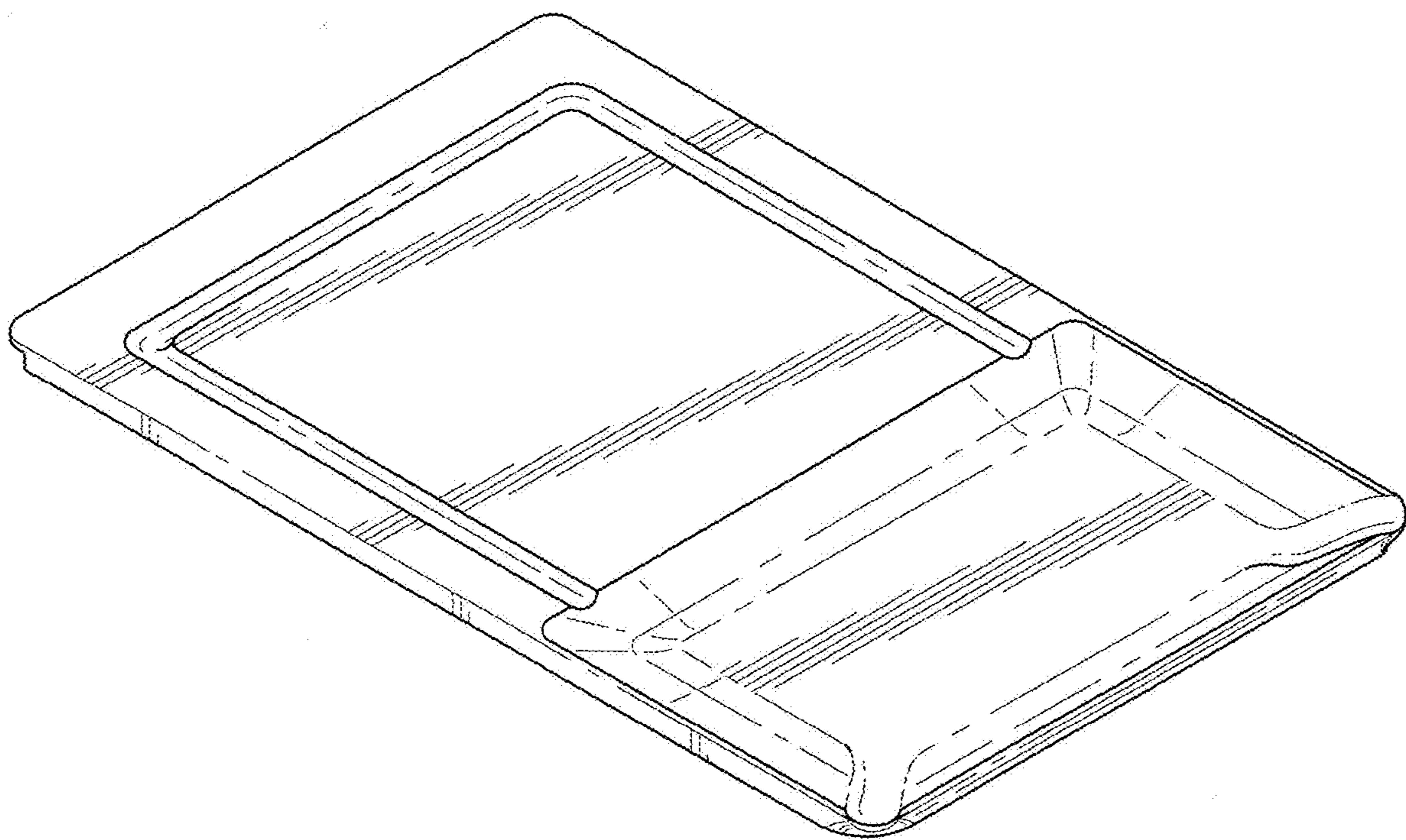


FIG. 1

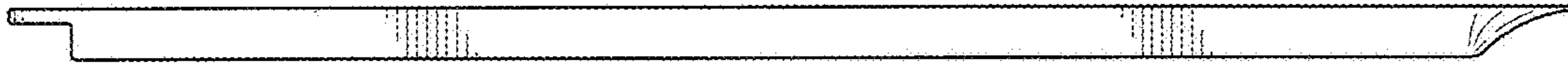


FIG. 2

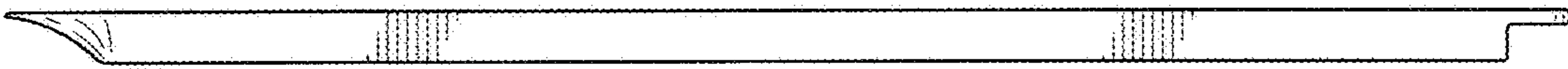


FIG. 3

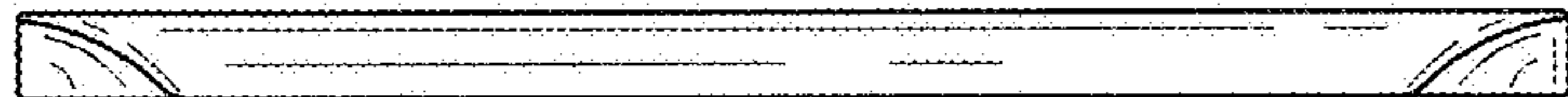


FIG. 4

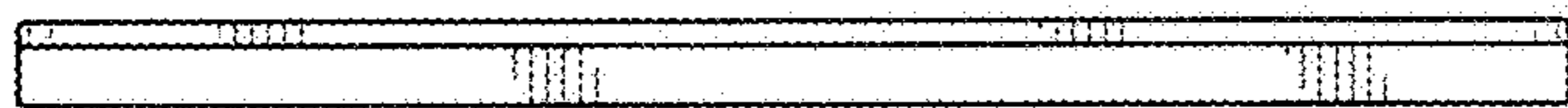


FIG. 5

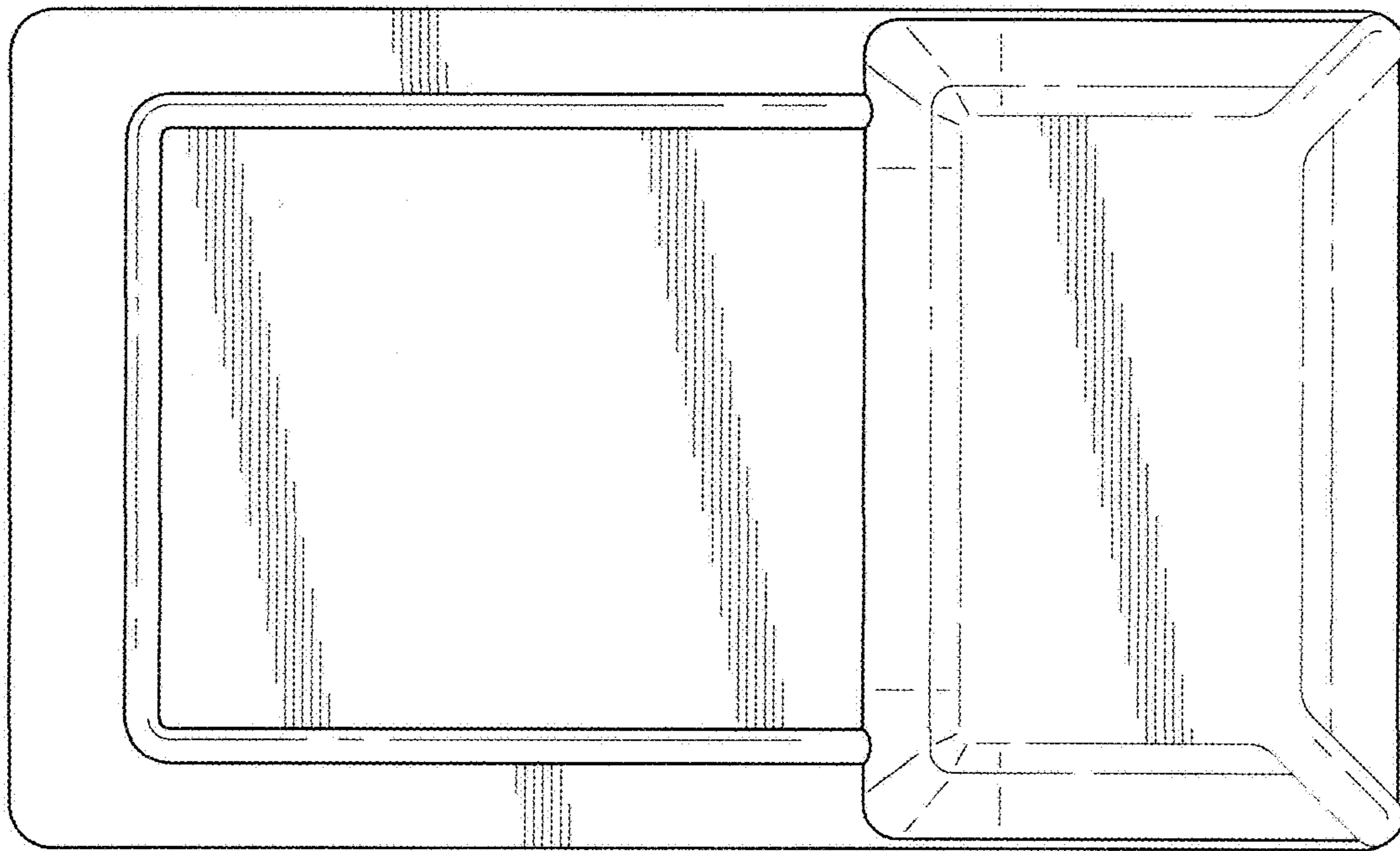


FIG. 6

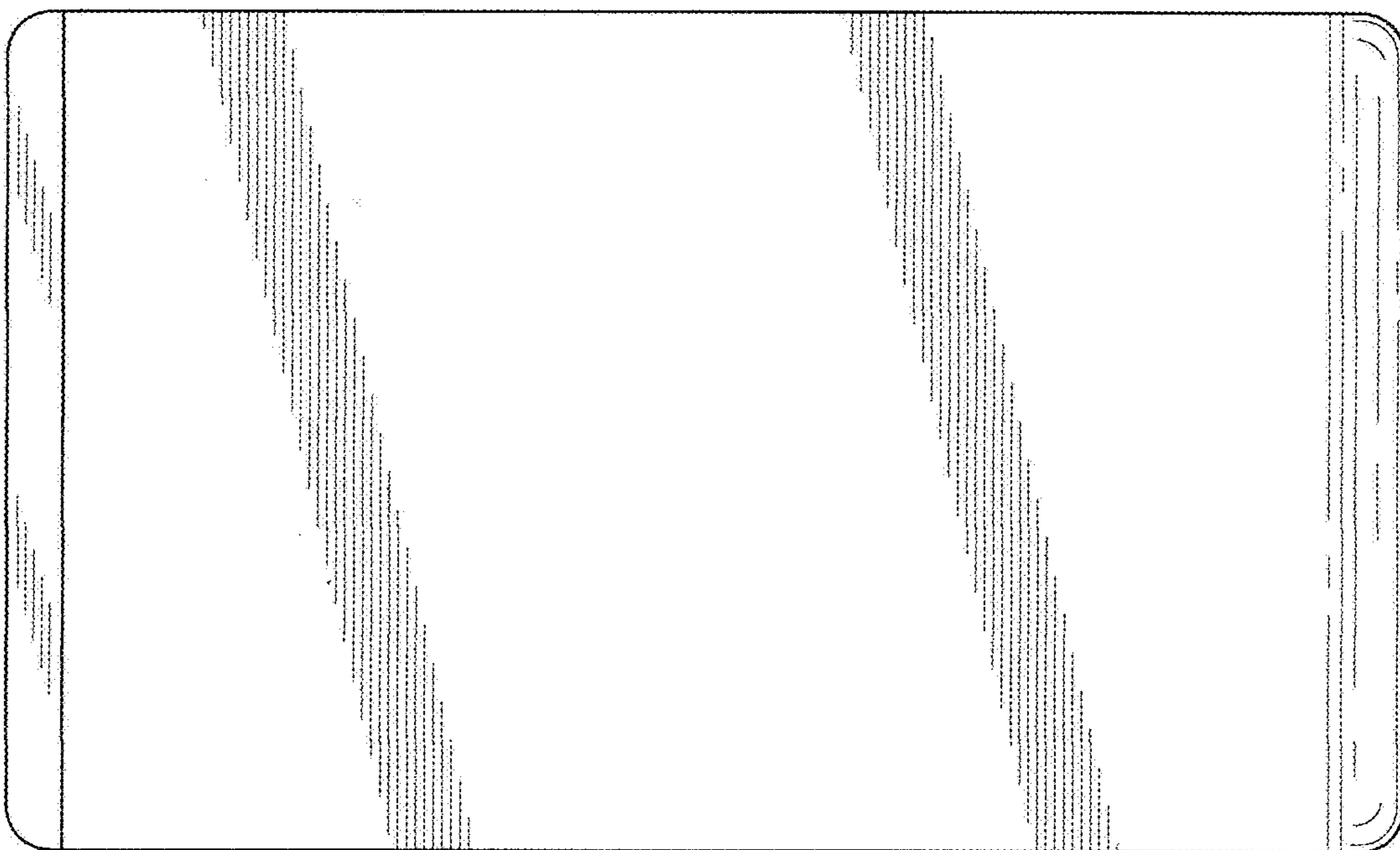


FIG. 7