



US00D920057S

(12) **United States Design Patent** (10) **Patent No.:** **US D920,057 S**  
**Khan** (45) **Date of Patent:** **\*\* \*May 25, 2021**

(54) **INFANT FORK** 7,013,568 B2 \* 3/2006 Schmidt ..... A47G 21/06  
30/147  
(71) Applicant: **Faisal Khan**, Frisco, TX (US) D682,613 S \* 5/2013 De Leo ..... D7/401.2  
D690,156 S \* 9/2013 Apple ..... D7/401.2  
(72) Inventor: **Faisal Khan**, Frisco, TX (US) D752,918 S \* 4/2016 Katopis ..... D7/401.2  
D862,997 S \* 10/2019 Miksovsky ..... D7/643

(\* ) Notice: This patent is subject to a terminal disclaimer.

(\*\* ) Term: **15 Years**

(21) Appl. No.: **29/621,202**

(22) Filed: **Oct. 5, 2017**

(51) **LOC (13) Cl.** ..... **07-03**

(52) **U.S. Cl.**  
USPC ..... **D7/653**; D7/401.2; D7/643

(58) **Field of Classification Search**  
USPC ..... D7/368, 401.2, 642-645, 653-664, 669,  
D7/675-677, 683, 688-689, 691;  
D8/107, 300-301; D22/117-118  
CPC ... A01D 9/02; A01D 9/04; A01D 9/06; A47G  
21/00; A47G 21/004; A47G 21/005;  
A47G 21/02; A47G 21/023; A47G 21/04;  
A47G 21/06; A47G 21/08; A47J 43/28;  
A47J 43/281; A47J 43/282; A61F 13/10;  
A61J 7/0023; B25G 1/00; B25G 1/01;  
B25G 1/02; B25G 3/00; B65D 75/56;  
B65D 75/563; B65D 75/566; B67B 7/00;  
B67B 7/724; B67B 7/73

See application file for complete search history.

(56) **References Cited**

**U.S. PATENT DOCUMENTS**

D33,327 S \* 10/1900 Crittenden ..... D7/691  
D388,664 S \* 1/1998 Gagnon ..... D7/643

**OTHER PUBLICATIONS**

Topgomes Soft Spoon Fork, Date of latest review on Amazon.com  
Oct. 2020 <https://www.amazon.com/dp/B08FYJYPXY/ref> (Year:  
2020).\*

\* cited by examiner

*Primary Examiner* — Ricky Pham  
(74) *Attorney, Agent, or Firm* — Richard Eldredge;  
Leavitt Eldredge Law Firm

(57) **CLAIM**

The ornamental design for an infant fork, as shown and described.

**DESCRIPTION**

FIG. 1 is a front view of an infant fork according to the present application;  
FIG. 2 is a left side view of the infant fork;  
FIG. 3 is a right side view of the infant bowtie;  
FIG. 4 is a top view of the infant fork;  
FIG. 5 is a bottom view of the infant fork; and,  
FIG. 6 is an oblique view of the infant fork.

**1 Claim, 2 Drawing Sheets**

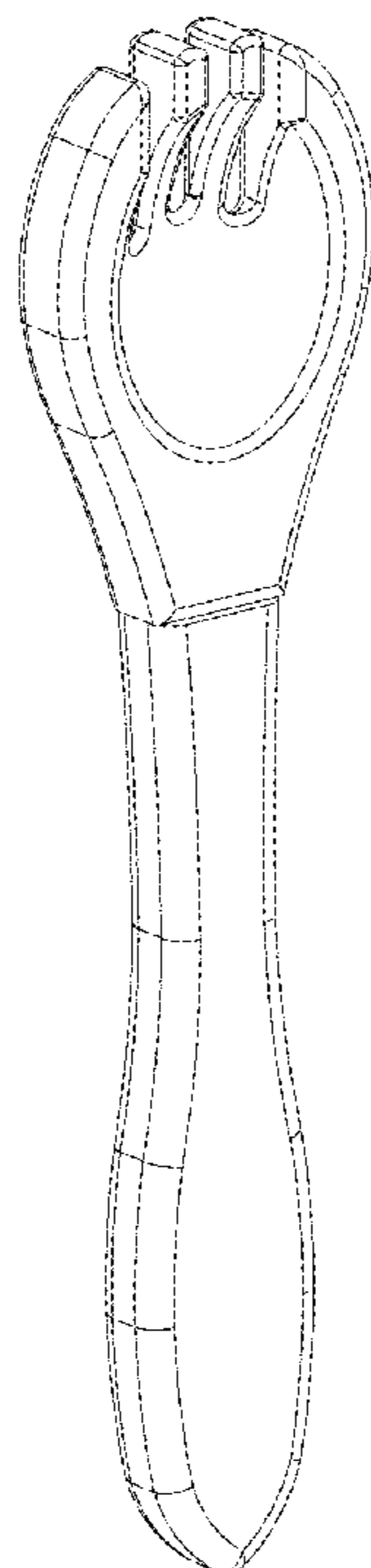




FIG. 4

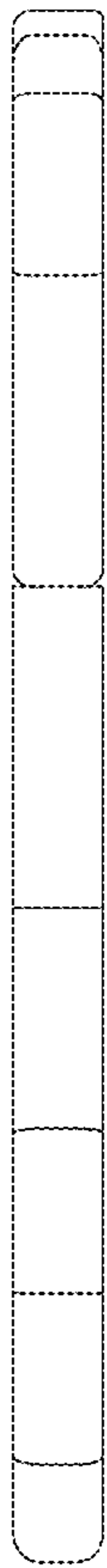


FIG. 3

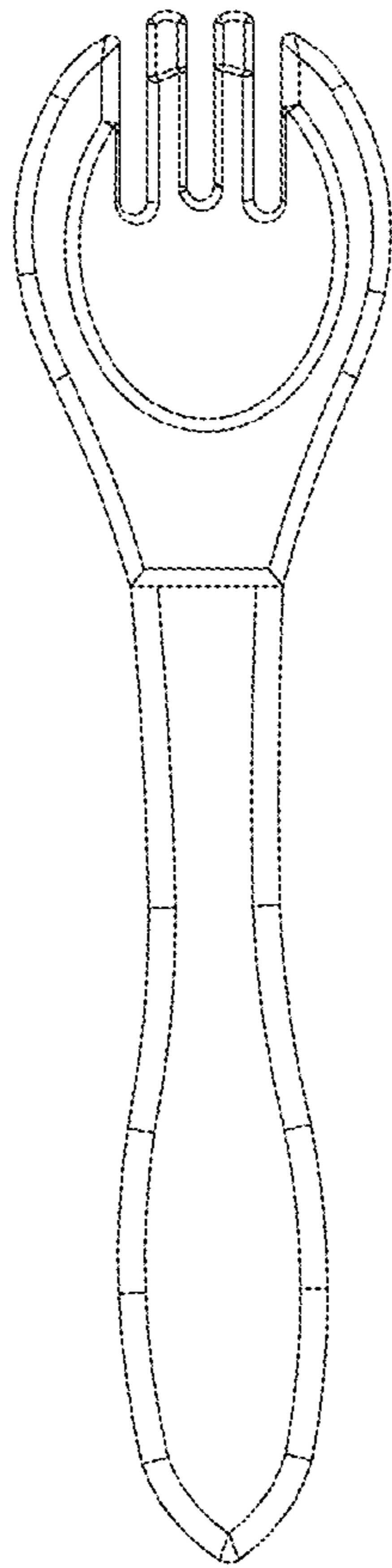


FIG. 1

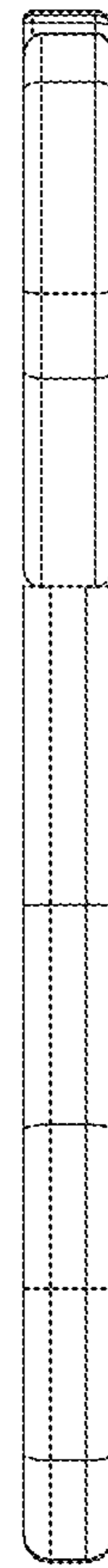


FIG. 2

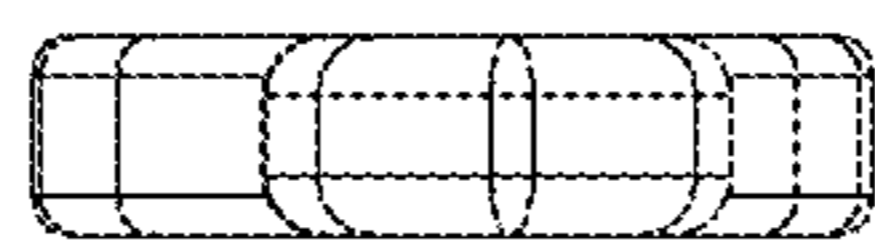


FIG. 5

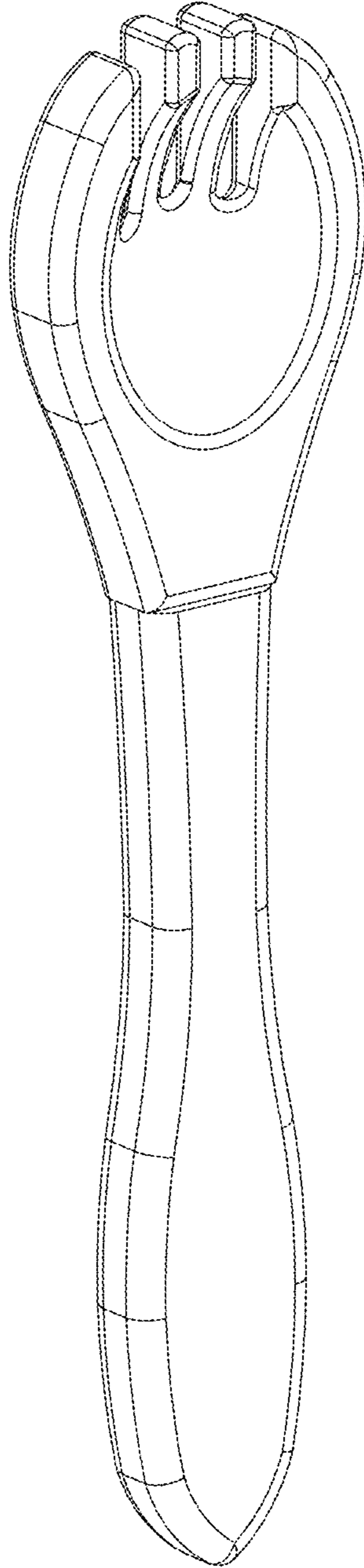


FIG. 6