



US00D920055S

(12) **United States Design Patent**
Forkan

(10) **Patent No.:** **US D920,055 S**

(45) **Date of Patent:** **** May 25, 2021**

(54) **FOLDING CUTLERY SET**

(71) Applicant: **Conor Forkan**, Toronto (CA)

(72) Inventor: **Conor Forkan**, Toronto (CA)

(**) Term: **15 Years**

(21) Appl. No.: **29/720,572**

(22) Filed: **Jan. 14, 2020**

(51) **LOC (13) Cl.** **07-03**

(52) **U.S. Cl.**
USPC **D7/642**

(58) **Field of Classification Search**
USPC D7/642–645, 653; 30/115, 129, 134,
30/136, 137, 142, 147, 148, 149, 150
CPC A47G 21/02; A47G 21/06; A47G 21/103;
A47G 2021/002; B26B 11/00; B26B
29/025

See application file for complete search history.

(56) **References Cited**

U.S. PATENT DOCUMENTS

- 3,892,435 A * 7/1975 Huey A47G 21/103
294/99.2
- D842,662 S * 3/2019 Bloch D7/643
- 2012/0097571 A1* 4/2012 Lerner A47G 21/02
206/541
- 2012/0110746 A1* 5/2012 Allard Serrano A47G 21/06
7/151
- 2021/0022531 A1* 1/2021 Forkan A47G 21/02

OTHER PUBLICATIONS

“Introducing Forkanife” (via YouTube), available Oct. 31, 2019, [online], [site visited Feb. 11, 2021]. Retrieved from Internet, URL: https://www.youtube.com/watch?v=7_kiNkolCk0 (Year: 2019).*

“Forkanife Travel set” available Mar. 20, 2020, [online], [site visited Feb. 11, 2021]. Retrieved from Internet, URL: <https://www.amazon.com/Forkanife-Travel-folding-cutlery-schools/dp/B088X6DVKZ> (Year: 2020).*

“GOSUN Flatware—Wallet-Sized Flatware Set” (via YouTube), available Jul. 30, 2020, [online]. [site visited Feb. 11, 2021]. Video retrieved from internet, URL: https://www.amazon.com/GOSUN-Flatware-Wallet-Sized-Utensils-Accessories/dp/B08DYC6VHY/ref=asc_df_B08DYC6VHY/ (Year: 2020).*

* cited by examiner

Primary Examiner — Michael C Stout

Assistant Examiner — Katrina N Gonzalez

(74) *Attorney, Agent, or Firm* — Millman IP Inc.

(57) **CLAIM**

The ornamental design for a folding cutlery set, as shown and described.

DESCRIPTION

FIG. 1 is a perspective view from above, to the front and to the right side of a first embodiment of the new design for a folding cutlery set;

FIG. 2 is a top view thereof;

FIG. 3 is a bottom view thereof;

FIG. 4 is a front view thereof;

FIG. 5 is a rear view thereof;

FIG. 6 is a right side view thereof;

FIG. 7 is a left side view thereof;

FIG. 8 is a perspective view from above, to the front and to the right side of a second embodiment of the new design for a folding cutlery set;

FIG. 9 is a top view thereof;

FIG. 10 is a bottom view thereof;

FIG. 11 is a front view thereof;

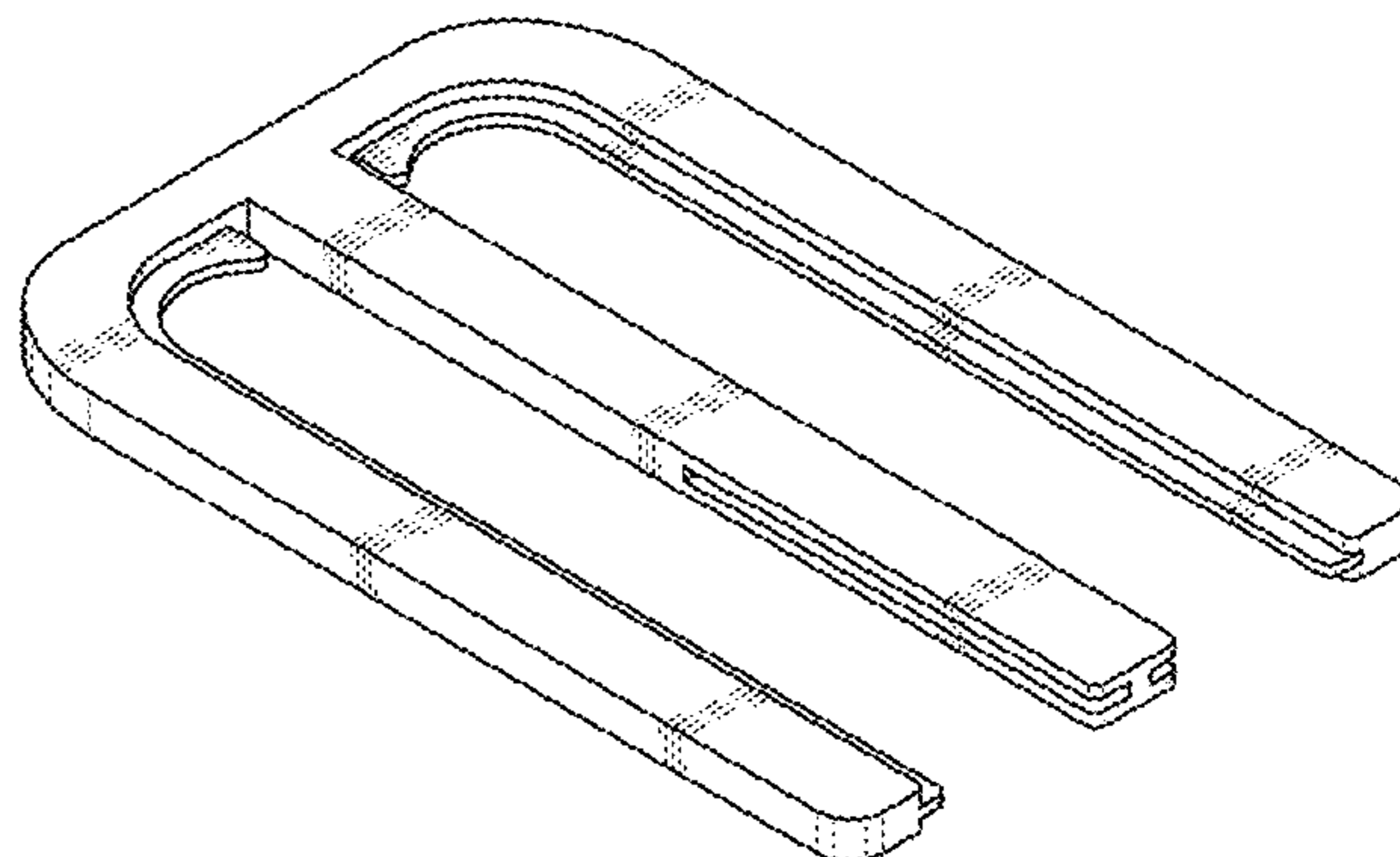
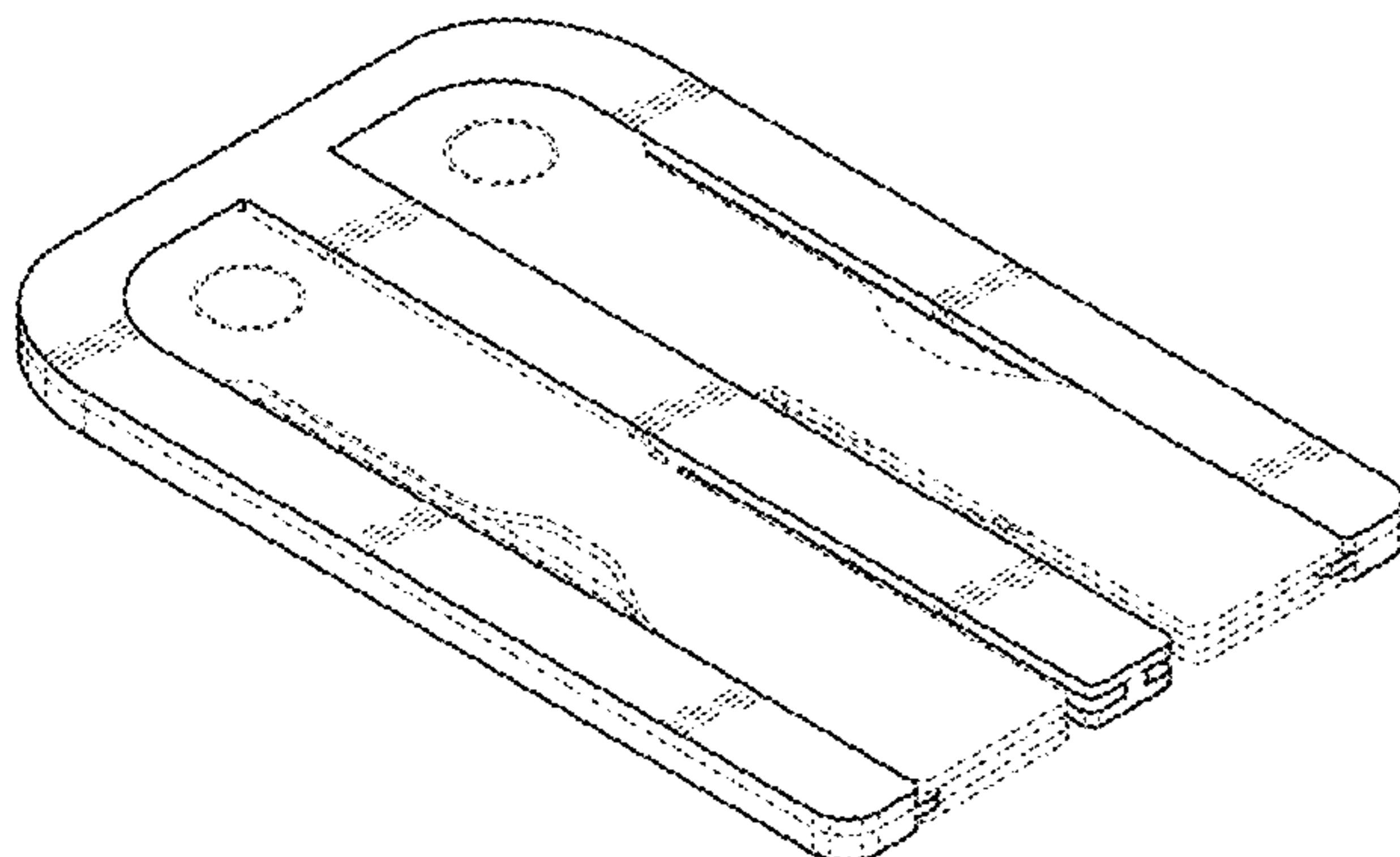
FIG. 12 is a rear view thereof;

FIG. 13 is a right side view thereof; and,

FIG. 14 is a left side view thereof.

The broken lines are for the purpose of illustrating portions of the article that form no part of the claimed design.

1 Claim, 6 Drawing Sheets



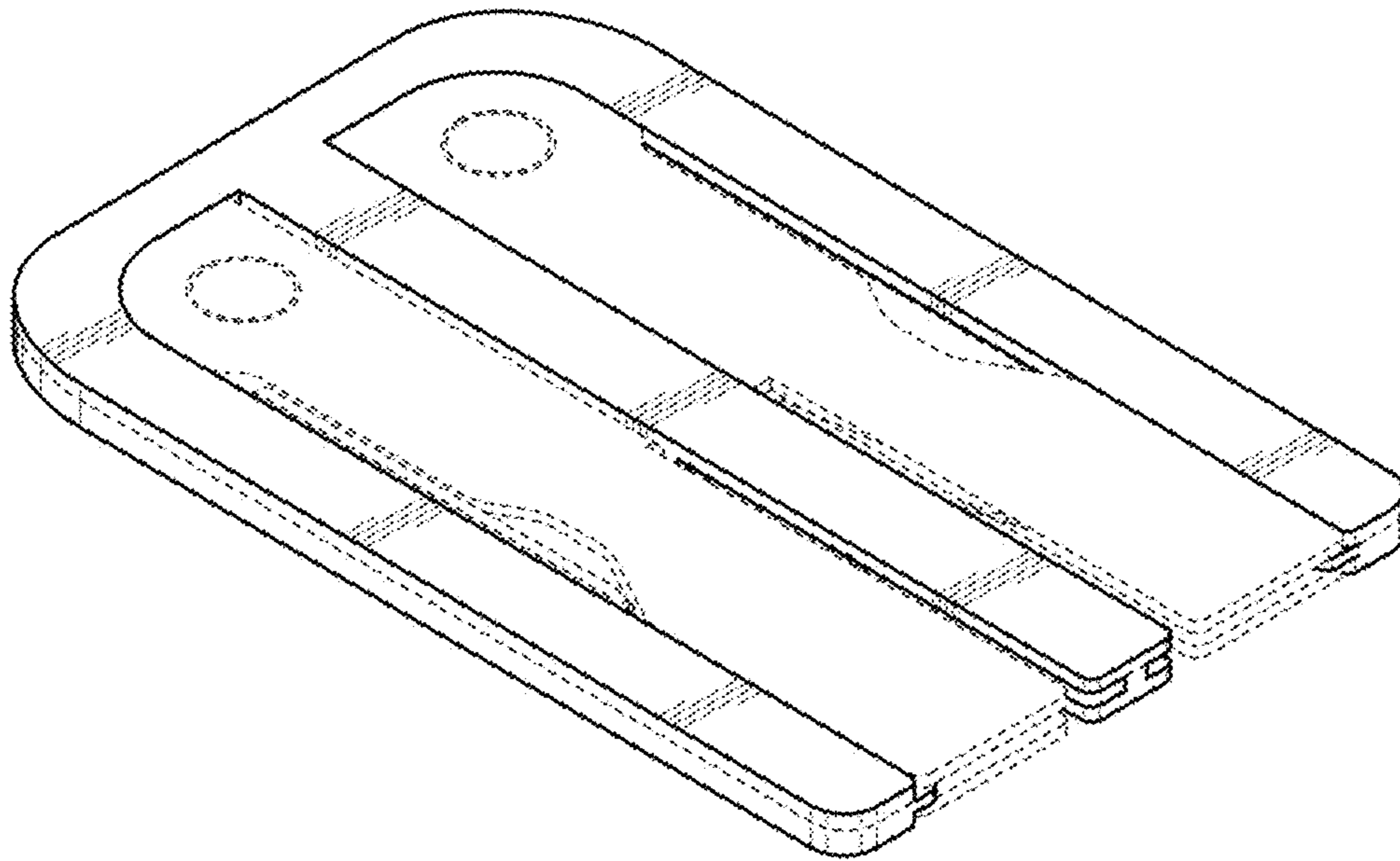


FIG. 1

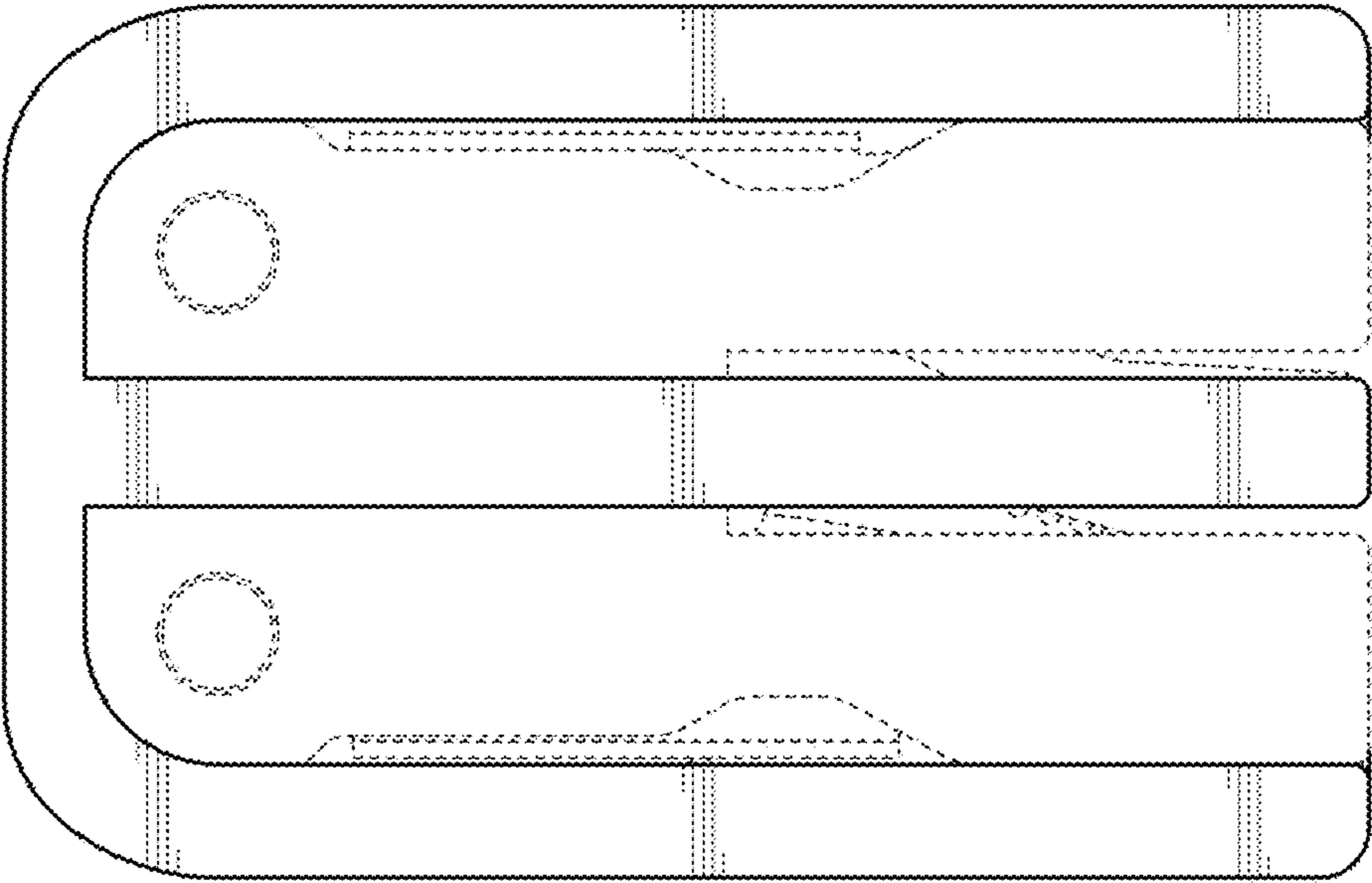


FIG. 2

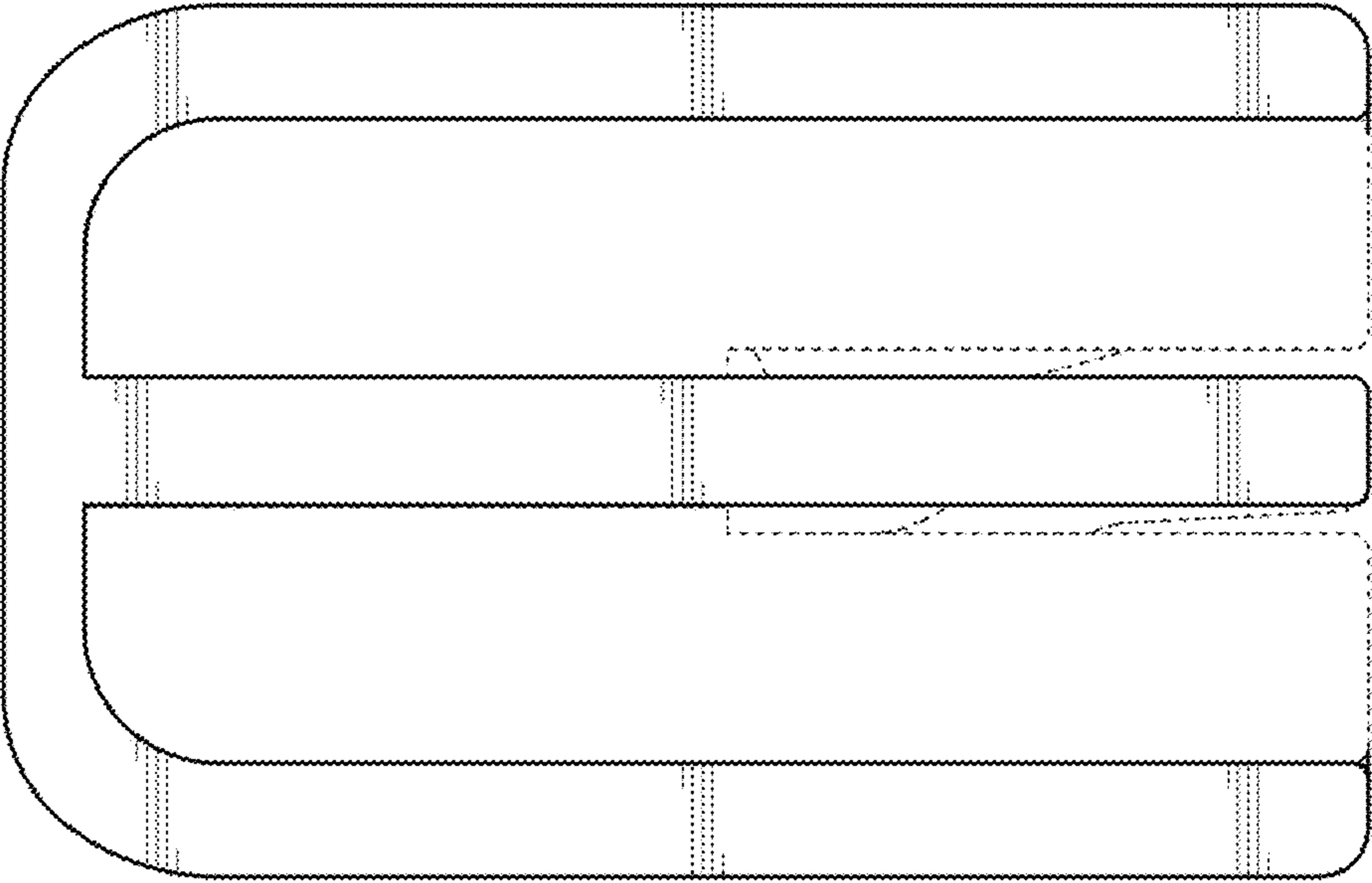


FIG. 3



FIG. 4

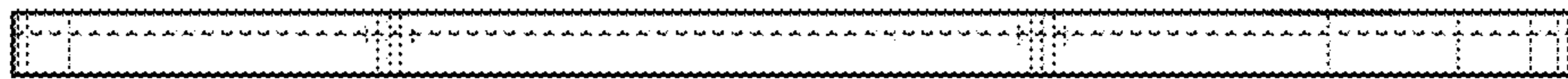


FIG. 5

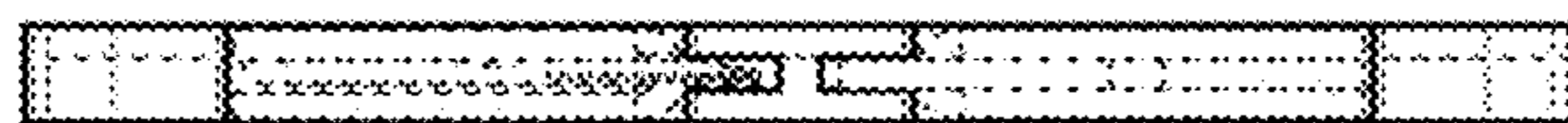


FIG. 6

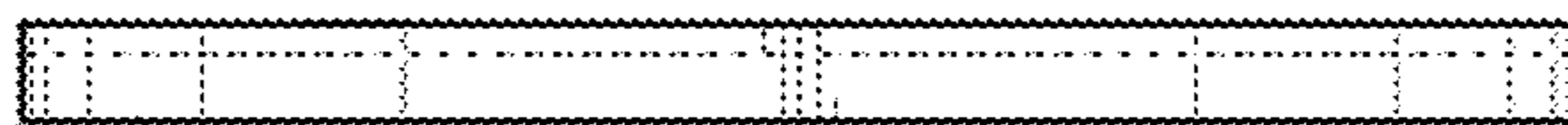


FIG. 7

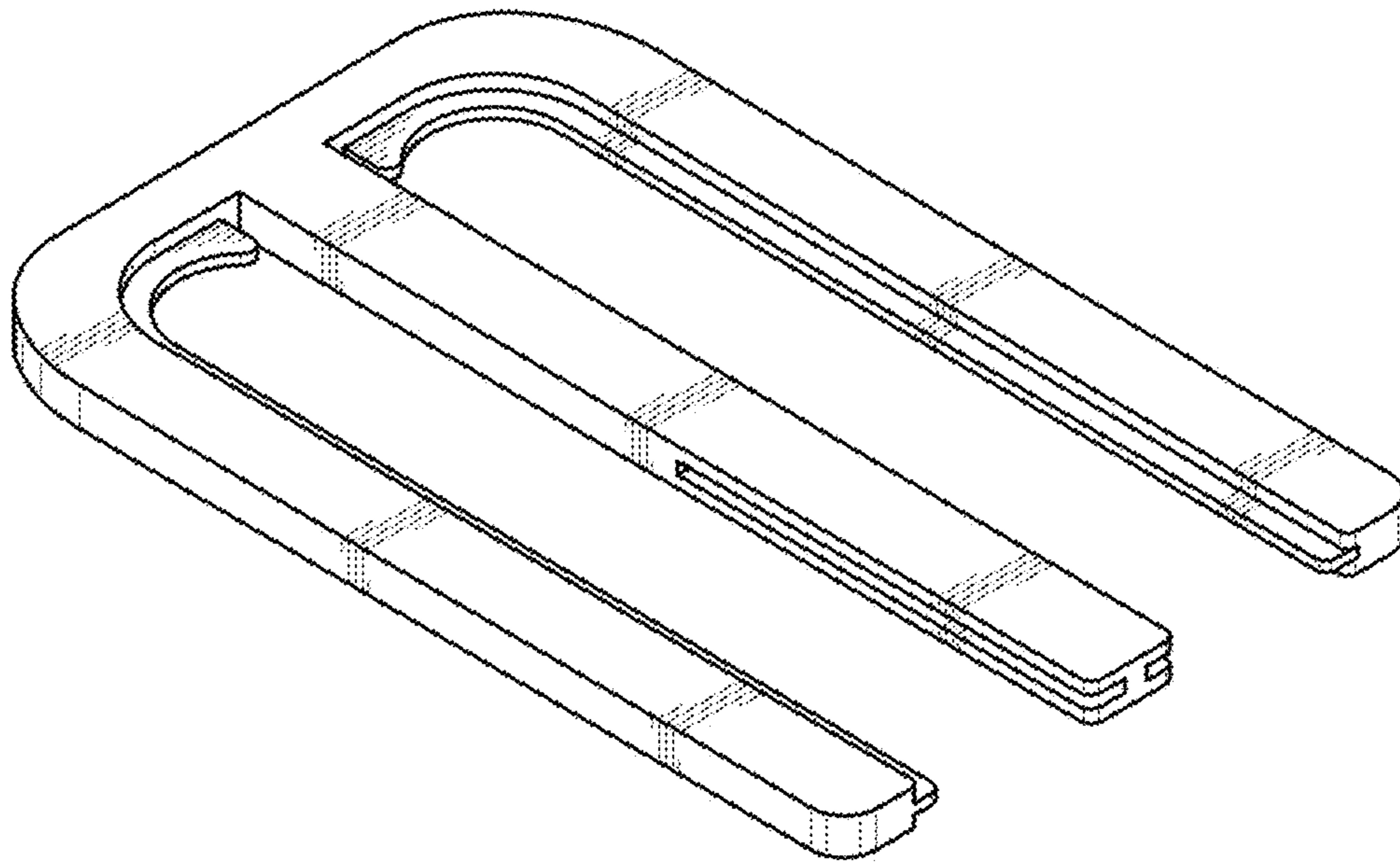


FIG. 8

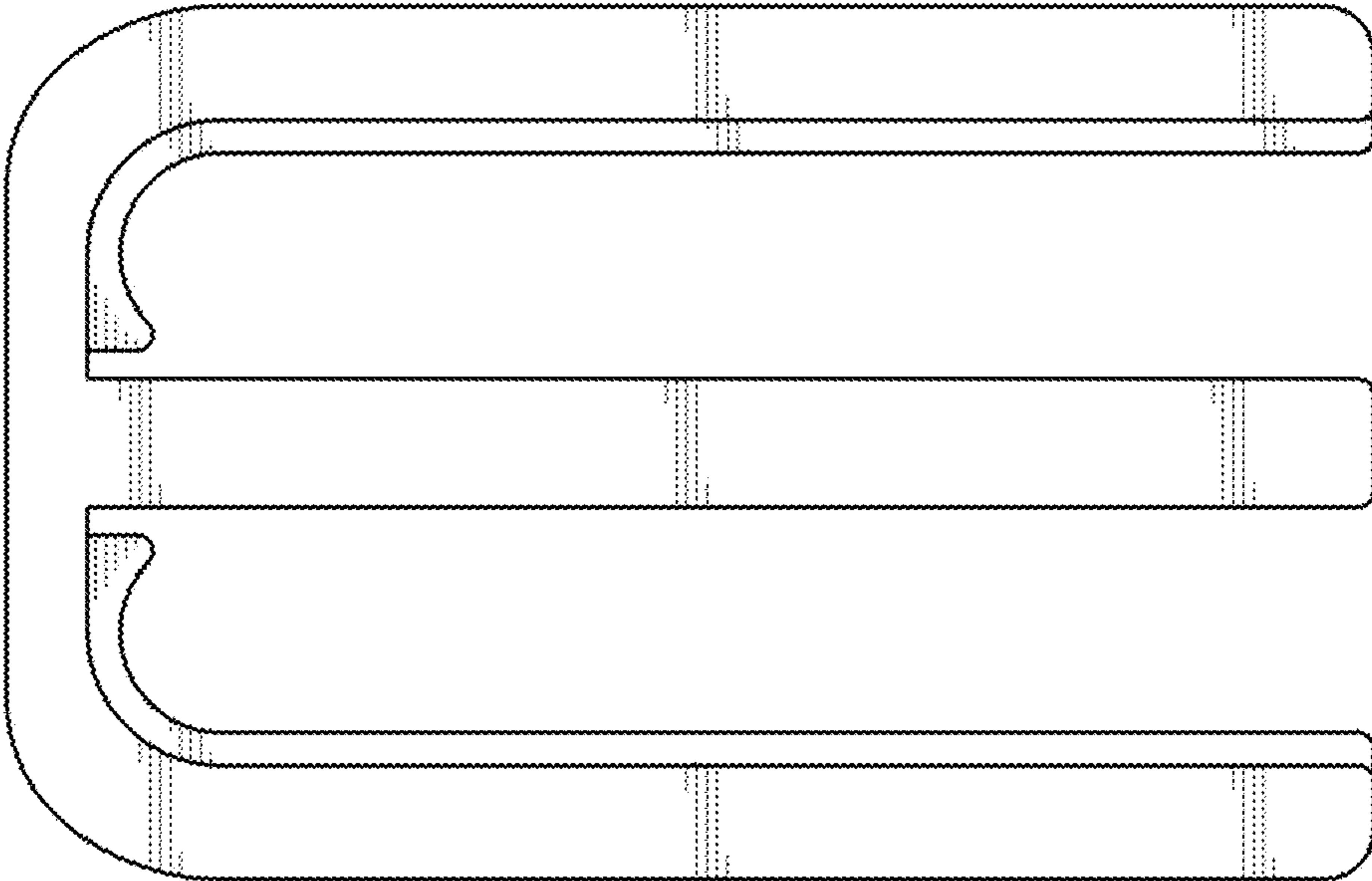


FIG. 9

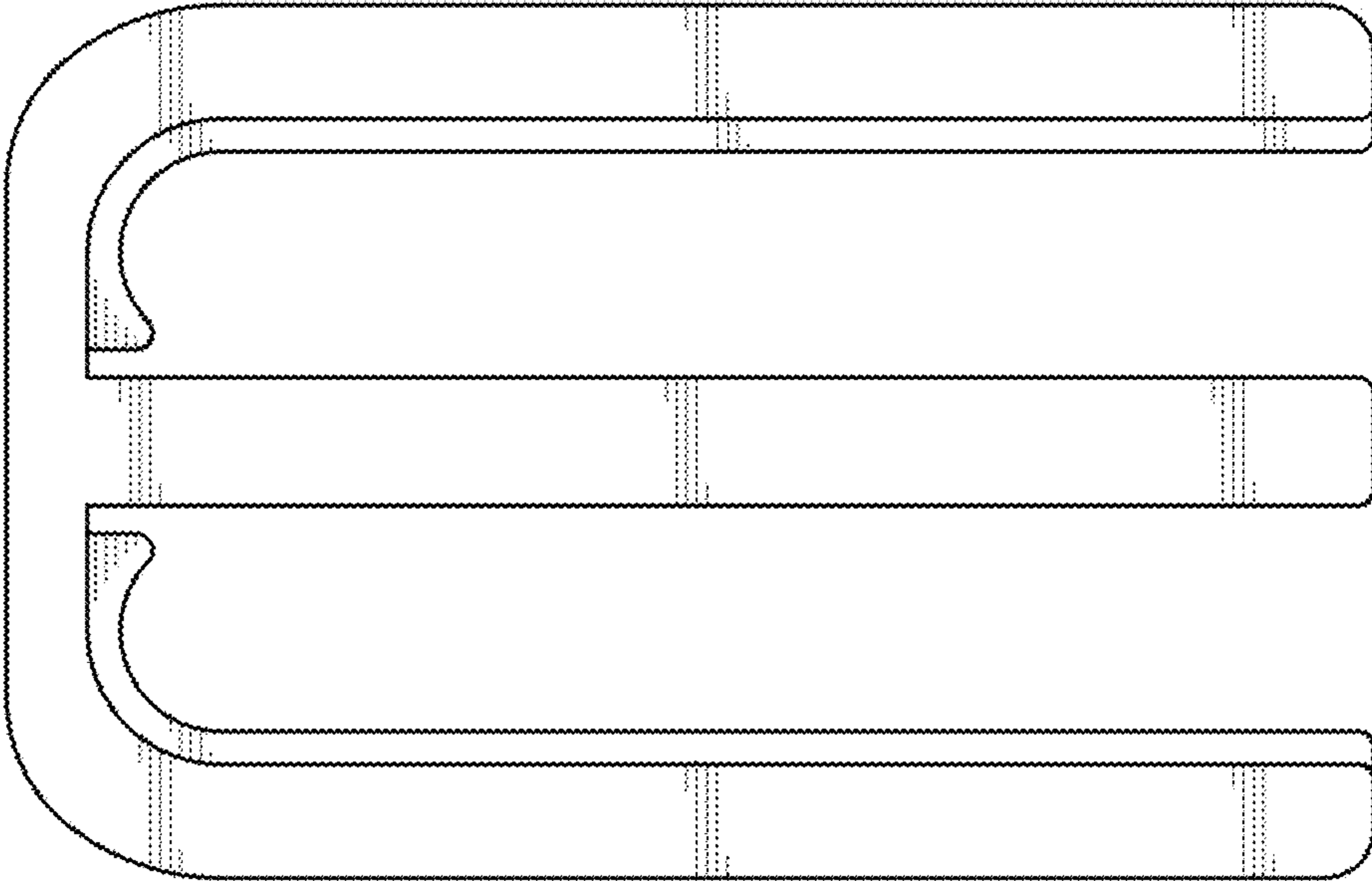


FIG. 10



FIG. 11



FIG. 12

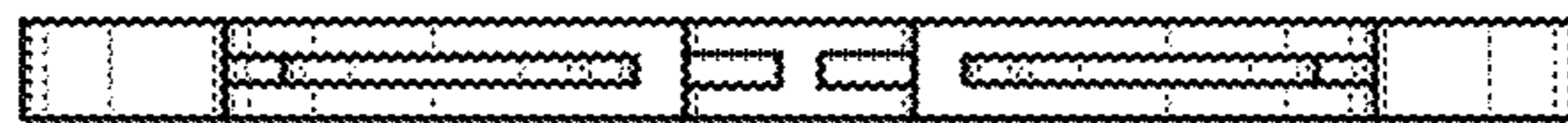


FIG. 13

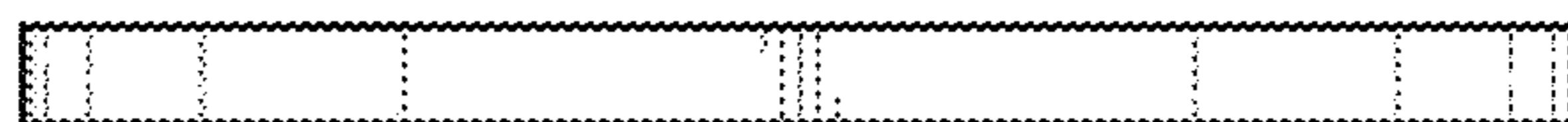


FIG. 14