



US00D920053S

(12) **United States Design Patent** (10) **Patent No.:** **US D920,053 S**  
**Liu et al.** (45) **Date of Patent:** **\*\* May 25, 2021**

(54) **KNIFE BLOCK**  
(71) Applicant: **Calphalon Corporation**, Atlanta, GA (US)  
(72) Inventors: **Andrew Q. Liu**, Alpharetta, GA (US); **Steven J. Muske**, Marietta, GA (US)  
(73) Assignee: **Calphalon Corporation**, Atlanta, GA (US)  
(\*\*) Term: **15 Years**  
(21) Appl. No.: **29/722,862**  
(22) Filed: **Feb. 3, 2020**

*Primary Examiner* — Janice Patyk  
(74) *Attorney, Agent, or Firm* — Eversheds Sutherland (US) LLP

(57) **CLAIM**

The ornamental design for a knife block, as shown and described.

**DESCRIPTION**

FIG. 1 is a top perspective view of a knife block, shown with environmental knives inserted, showing our new design; FIG. 2 is a top perspective view thereof, shown with environmental knives removed; FIG. 3 is a cross-section top perspective view thereof, taken along line 3-3 of FIG. 2; FIG. 4 is an exploded top perspective view thereof; FIG. 5 is an exploded rear perspective view thereof, shown without the body for ease of illustration, shown in enlarged scale; FIG. 6 is a partially enlarged front view thereof, taken from FIG. 2; FIG. 7 is a right side view thereof, shown with environmental knives inserted; FIG. 8 is a left side view thereof, shown with environmental knives inserted; and, FIG. 9 is a cross-section left side view thereof, taken along line 9-9 of FIG. 1. The broken lines in the figures illustrate the portions of the design that form no part of the claimed design. The broken lines showing the knives in FIGS. 1, 2, and 7-9 illustrate environmental subject matter that forms no part of the claimed design. The dot-dash broken lines of FIGS. 2 and 6 are included to show a partial enlarged view only and form no part of the claimed design. The dot-dash broken lines of FIGS. 4 and 5 are included to show the relationship of the sharpening elements to the knife block only and form no part of the claimed design. None of the broken lines form any part of the claimed design.

**Related U.S. Application Data**

(63) Continuation of application No. 15/481,506, filed on Apr. 7, 2017, now Pat. No. 10,638,863, which is a (Continued)

(51) **LOC (13) Cl.** ..... **07-99**  
(52) **U.S. Cl.**  
USPC ..... **D7/637**

(58) **Field of Classification Search**  
USPC ..... D3/304, 306, 316; D6/566, 567, 573, D6/574; D7/631, 637-641; D19/75, 81, D19/83-86, 90, 92  
(Continued)

(56) **References Cited**

**U.S. PATENT DOCUMENTS**

3,676,961 A 7/1972 Jackson  
D247,735 S 4/1978 Gangelhoff et al.  
(Continued)

**FOREIGN PATENT DOCUMENTS**

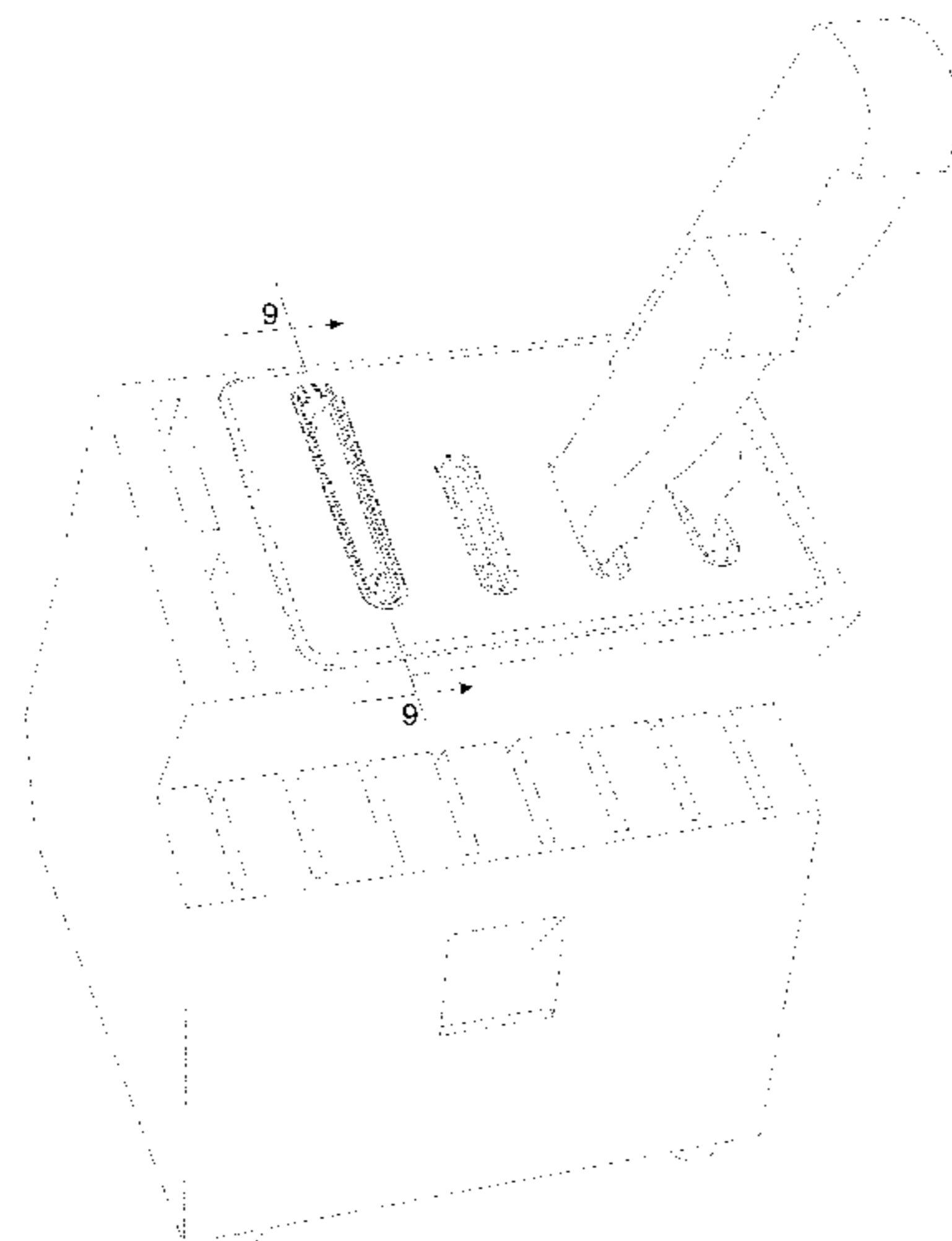
GB 2363316 A 12/2001

**OTHER PUBLICATIONS**

Calphalon Classic Self-Sharpening 6-Piece Knife Block Set, announced Jul. 2015, [online], site visited Aug. 22, 2017, Available from Internet, URL: <http://www.amazon.com> (Year: 2015).

(Continued)

**1 Claim, 8 Drawing Sheets**



**Related U.S. Application Data**

continuation of application No. 14/320,100, filed on Jun. 30, 2014, now Pat. No. 9,693,644.

(58) **Field of Classification Search**

CPC ..... A47B 88/00; A47G 21/14; A47G 21/16; A47G 21/184; A47G 23/06; A47G 29/087; A47J 45/02; A47J 47/16; B65D 1/34; B65D 1/36

See application file for complete search history.

(56) **References Cited**

U.S. PATENT DOCUMENTS

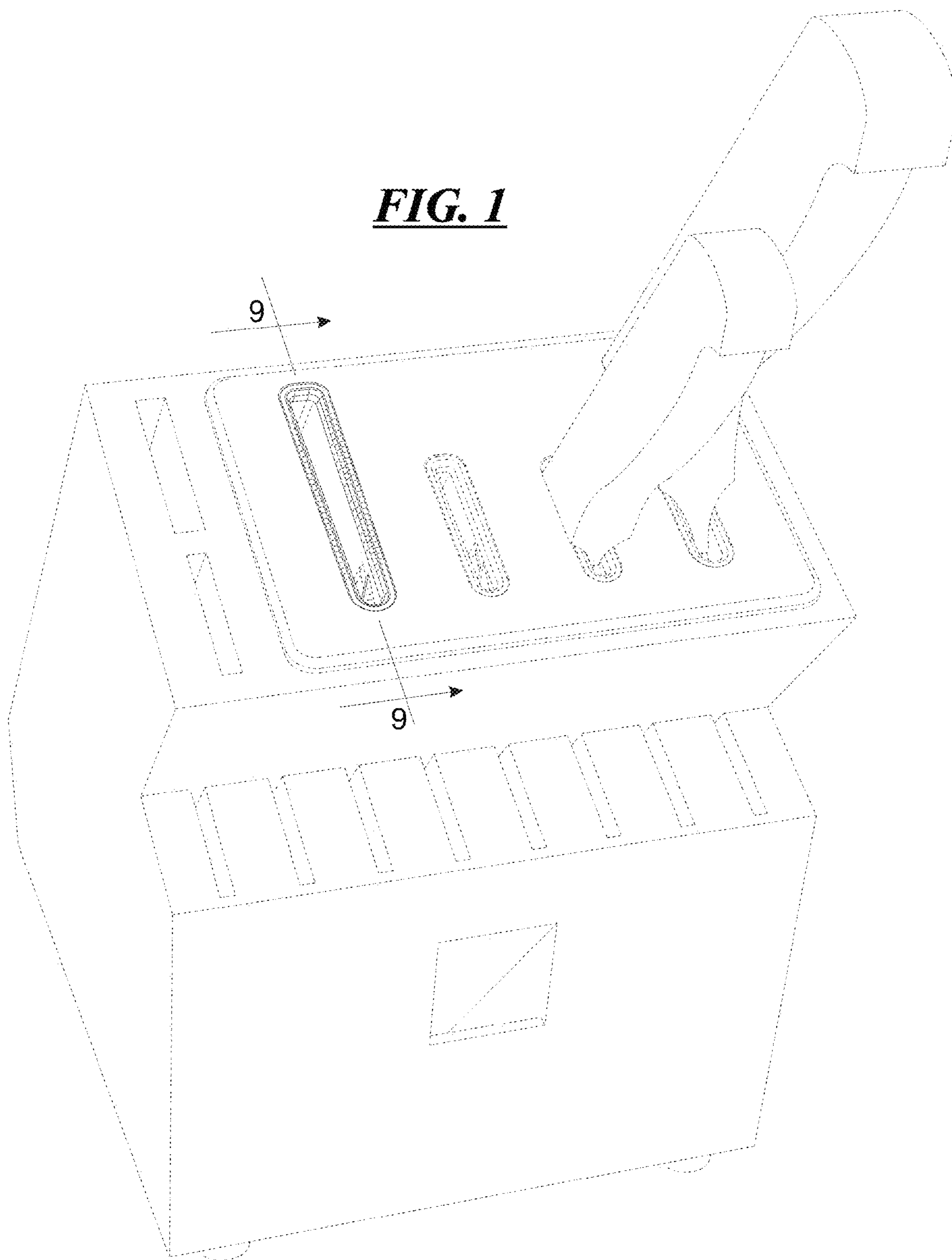
4,561,548 A 12/1985 Call  
 4,604,836 A \* 8/1986 Huang ..... B24D 15/084  
 30/138  
 4,693,439 A 9/1987 Hahn  
 4,866,845 A 9/1989 McEvily  
 D382,774 S 8/1997 Cohen et al.  
 6,079,108 A \* 6/2000 Lin ..... A47G 21/14  
 211/70.7  
 D434,615 S 12/2000 Chien  
 6,371,312 B1 4/2002 Tsuchida  
 6,394,627 B1 5/2002 Lo  
 D471,072 S \* 3/2003 Gordner ..... D7/637  
 6,643,949 B2 \* 11/2003 Yen ..... F26B 9/003  
 211/70.7

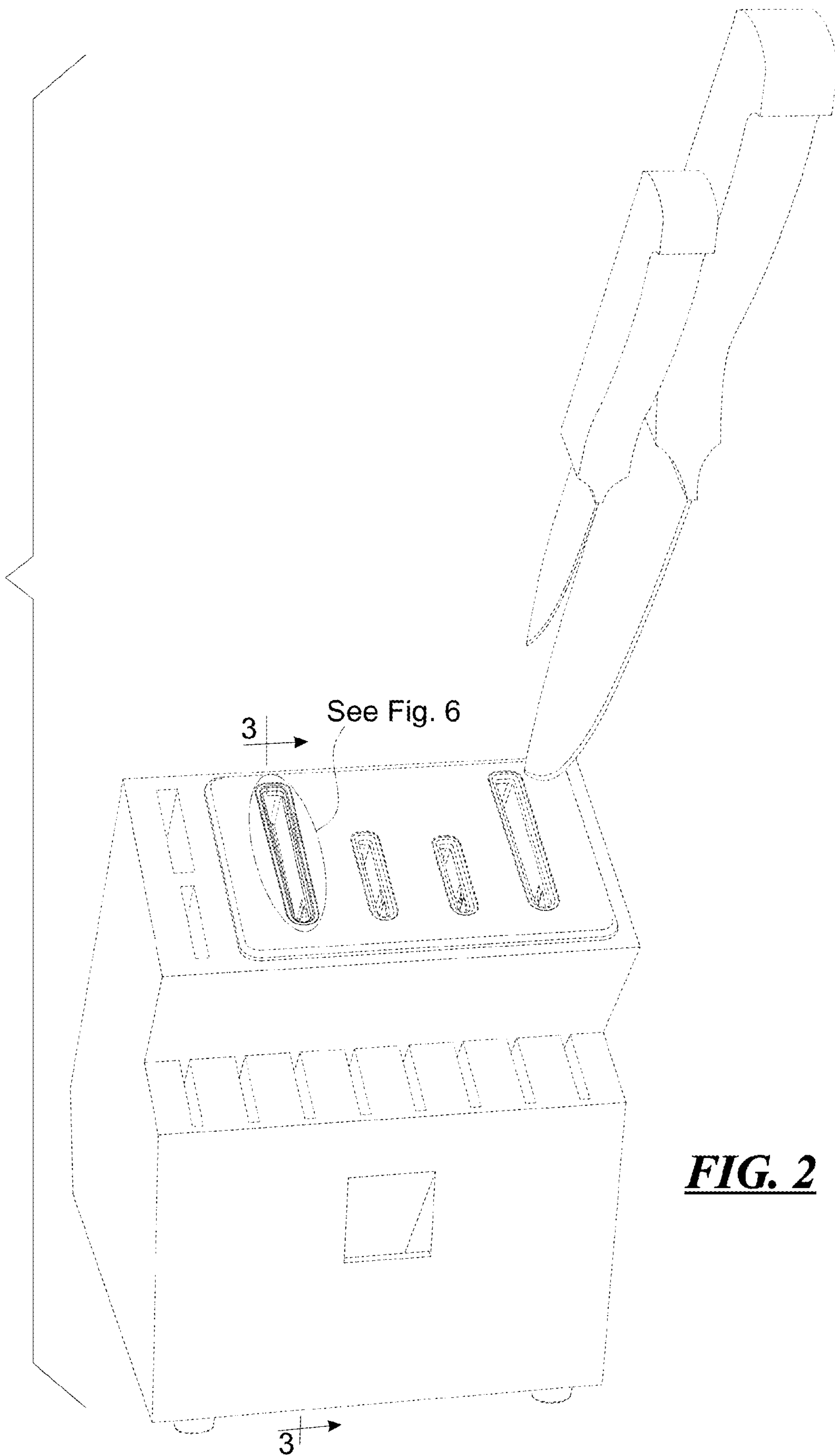
6,854,186 B2 \* 2/2005 Basden ..... A47G 21/14  
 248/37.3  
 7,228,632 B2 6/2007 Fedor et al.  
 D548,540 S \* 8/2007 Abo ..... D7/637  
 8,590,427 B2 11/2013 Murphy et al.  
 8,944,259 B2 \* 2/2015 Brough ..... A47G 21/14  
 211/70.7  
 D764,878 S \* 8/2016 Liu ..... D7/637  
 D832,660 S \* 11/2018 Liu ..... B24D 15/081  
 D7/637  
 2005/0205506 A1 9/2005 Siegel  
 2007/0278165 A1 \* 12/2007 Ranieri ..... A47G 21/14  
 211/70.7  
 2008/0173772 A1 7/2008 Welch  
 2012/0266468 A1 10/2012 Murphy et al.  
 2012/0324740 A1 \* 12/2012 Brough ..... A47G 21/14  
 30/298.4  
 2015/0298296 A1 10/2015 Cook

OTHER PUBLICATIONS

Calphalon Precision Self-Sharpener 15-Piece Knife Block Set, announced Jul. 2015, [online], site visited Aug. 22, 2017. Available from Interent, URL: <http://www.amazon.com> (Year 2015).  
 Chicago Cutlery Fusion Knife Block Set, announced Dec. 2010, [online], site visited Aug. 22, 2017. Available from Internet, URL: <http://www.amazon.com> (Year: 2010).

\* cited by examiner

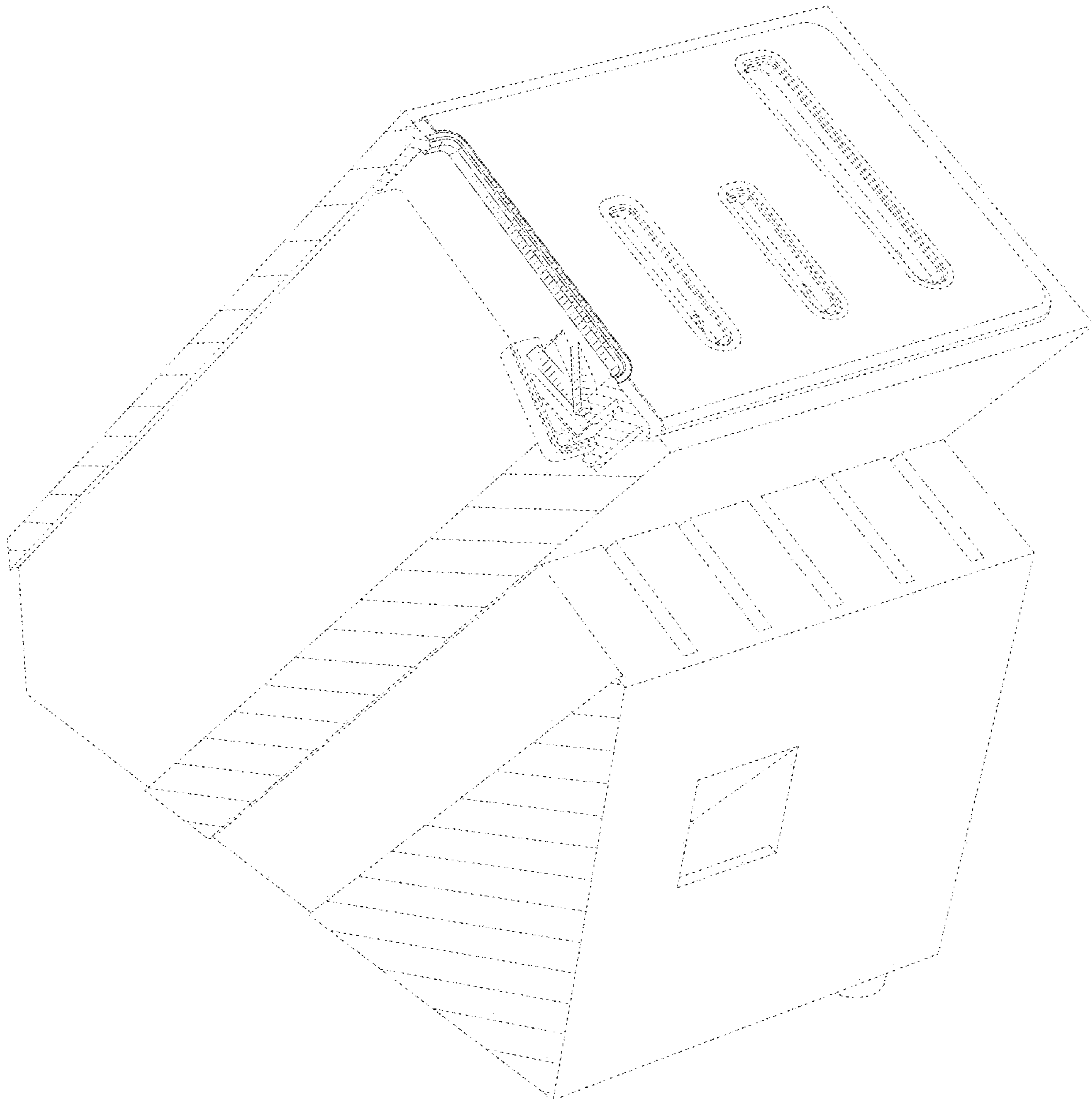


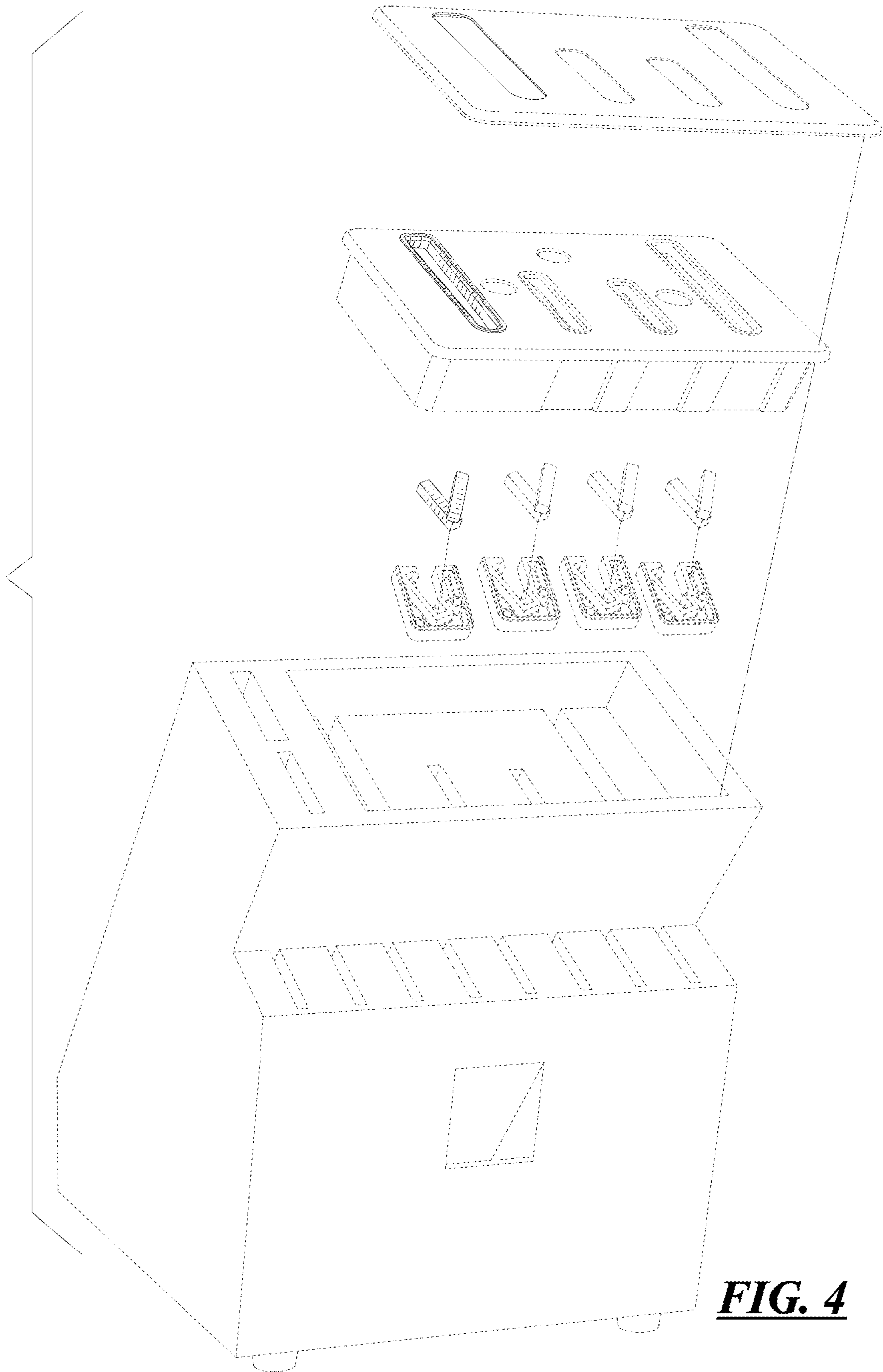


***FIG. 2***



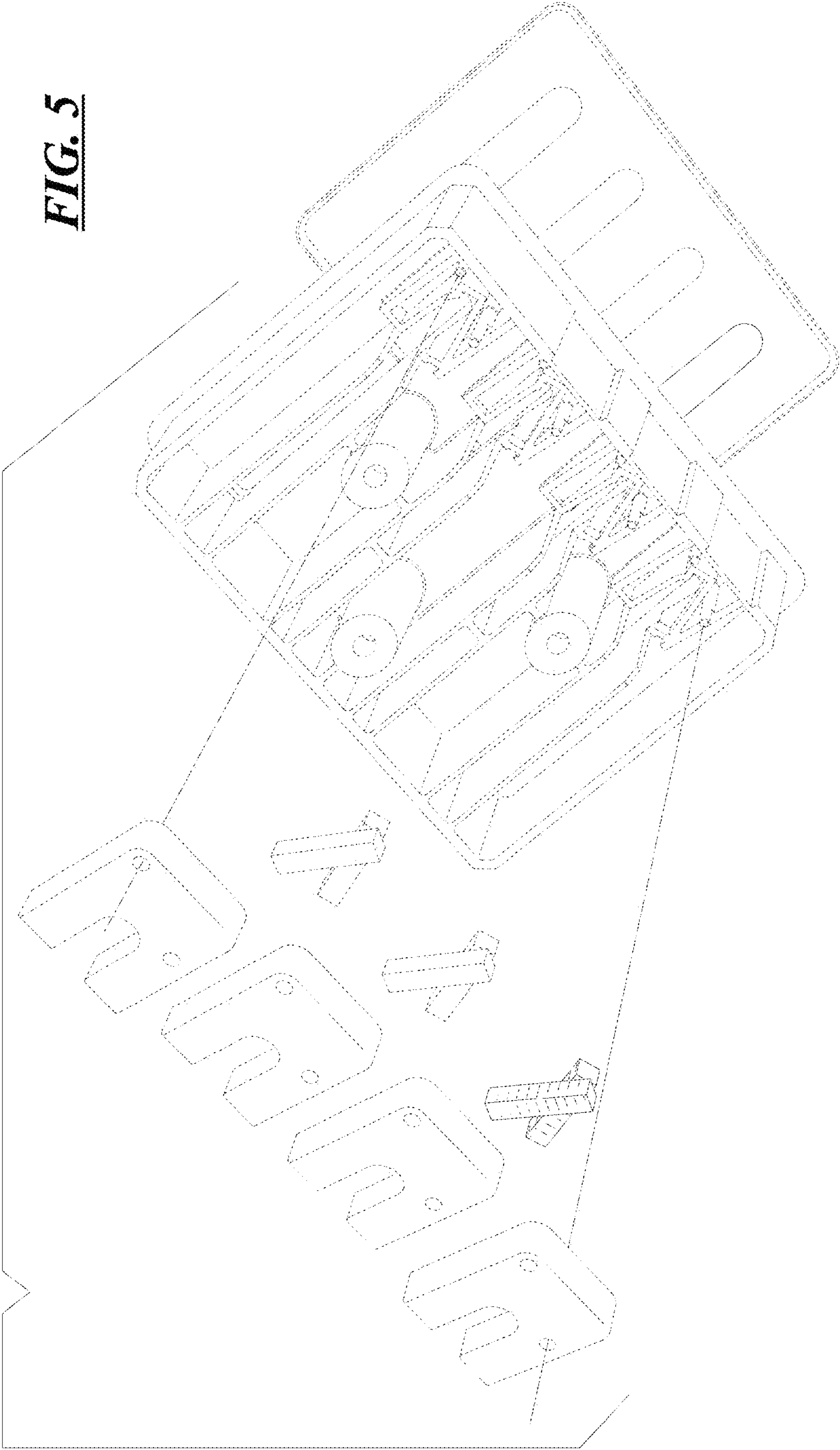
**FIG. 3**

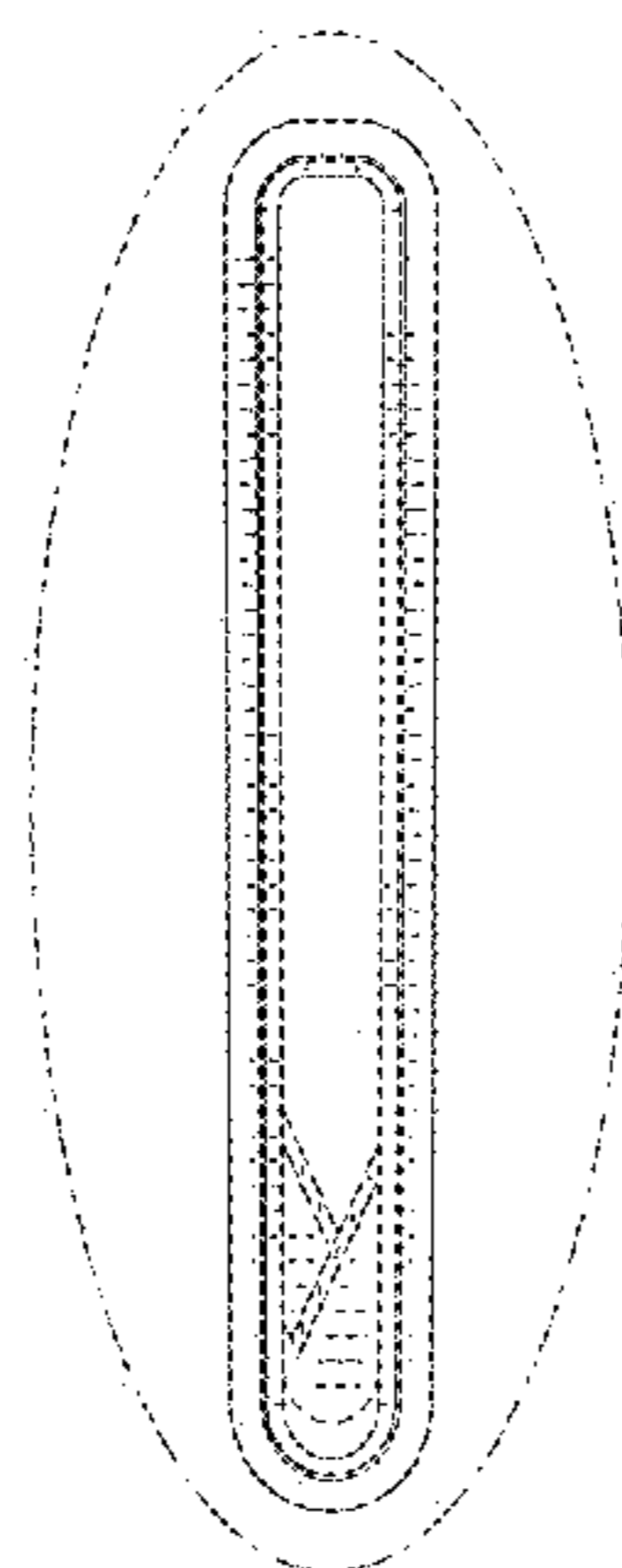




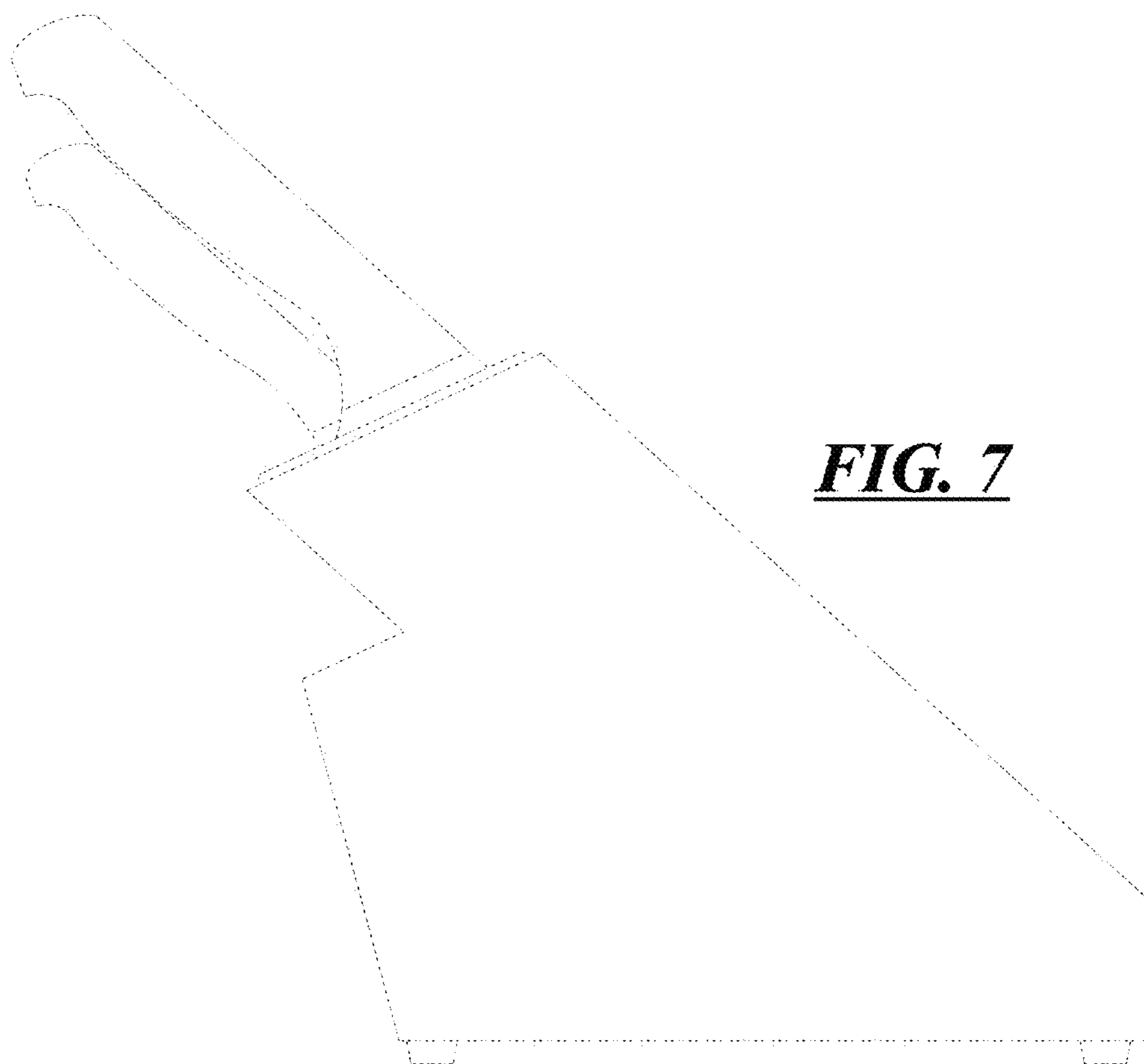
**FIG. 4**

**FIG. 5**





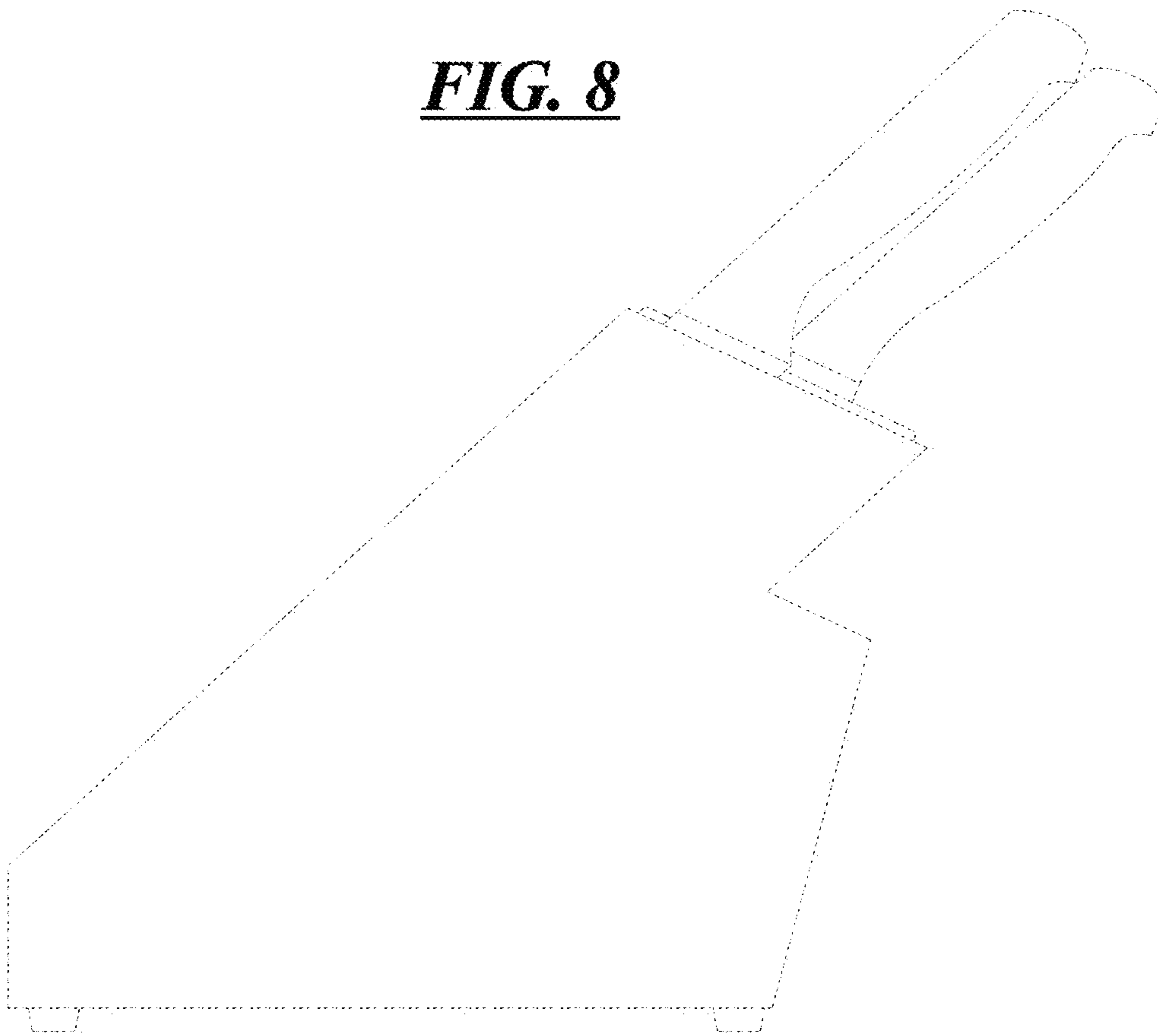
**FIG. 6**



**FIG. 7**



**FIG. 8**



**FIG. 9**

