



US00D920052S

(12) **United States Design Patent** (10) **Patent No.:** **US D920,052 S**
Lee et al. (45) **Date of Patent:** **** May 25, 2021**

(54) **UTENSIL DISPENSER**

(71) Applicant: **Kolor Magnetic (Shenzhen) Co., Ltd.**,
Guangdong (CN)

(72) Inventors: **Ching Mou Lee**, Guangdong (CN); **Chi Wai Lee**, Guangdong (CN)

(73) Assignee: **Kolor Magnetic (Shenzhen) Co., Ltd.**,
Shenzhen (CN)

(**) Term: **15 Years**

(21) Appl. No.: **29/711,594**

(22) Filed: **Oct. 31, 2019**

(30) **Foreign Application Priority Data**

Aug. 30, 2019 (CN) 201930477036.2

(51) **LOC (13) Cl.** **07-07**

(52) **U.S. Cl.**
USPC **D7/637**

(58) **Field of Classification Search**

USPC D3/304, 306, 316; D6/566, 567, 573,
D6/574; D7/631, 637-641; D19/75, 81,
D19/83-86, 90, 92
CPC A47B 88/00; A47G 21/14; A47G 21/16;
A47G 21/184; A47G 23/06; A47G
29/087; A47J 45/02; A47J 47/16; B65D
1/34; B65D 1/36

See application file for complete search history.

(56) **References Cited**

U.S. PATENT DOCUMENTS

6,336,568 B1 * 1/2002 Tucker A47F 1/10
221/131
8,272,533 B1 * 9/2012 D'Amelia A47F 1/10
221/197
9,295,344 B2 * 3/2016 Reinsel G07F 11/22

9,700,153 B2 * 7/2017 Snyder A47F 1/10
10,051,976 B2 * 8/2018 Smith B65D 83/0858
10,327,567 B2 * 6/2019 Oakes A47F 1/12
2008/0128445 A1 * 6/2008 Huang G07F 9/02
221/7
2010/0084418 A1 * 4/2010 Reinsel A47F 1/10
221/1
2010/0170915 A1 * 7/2010 Reinsel A47F 1/10
221/279
2011/0226797 A1 * 9/2011 Reinsel A47F 1/10
221/97
2012/0145734 A1 * 6/2012 Walters A47F 1/10
221/1
2012/0145736 A1 * 6/2012 Walters A47F 1/10
221/1
2013/0193157 A1 * 8/2013 Jongen H04W 4/023
221/23

* cited by examiner

Primary Examiner — Janice Patyk

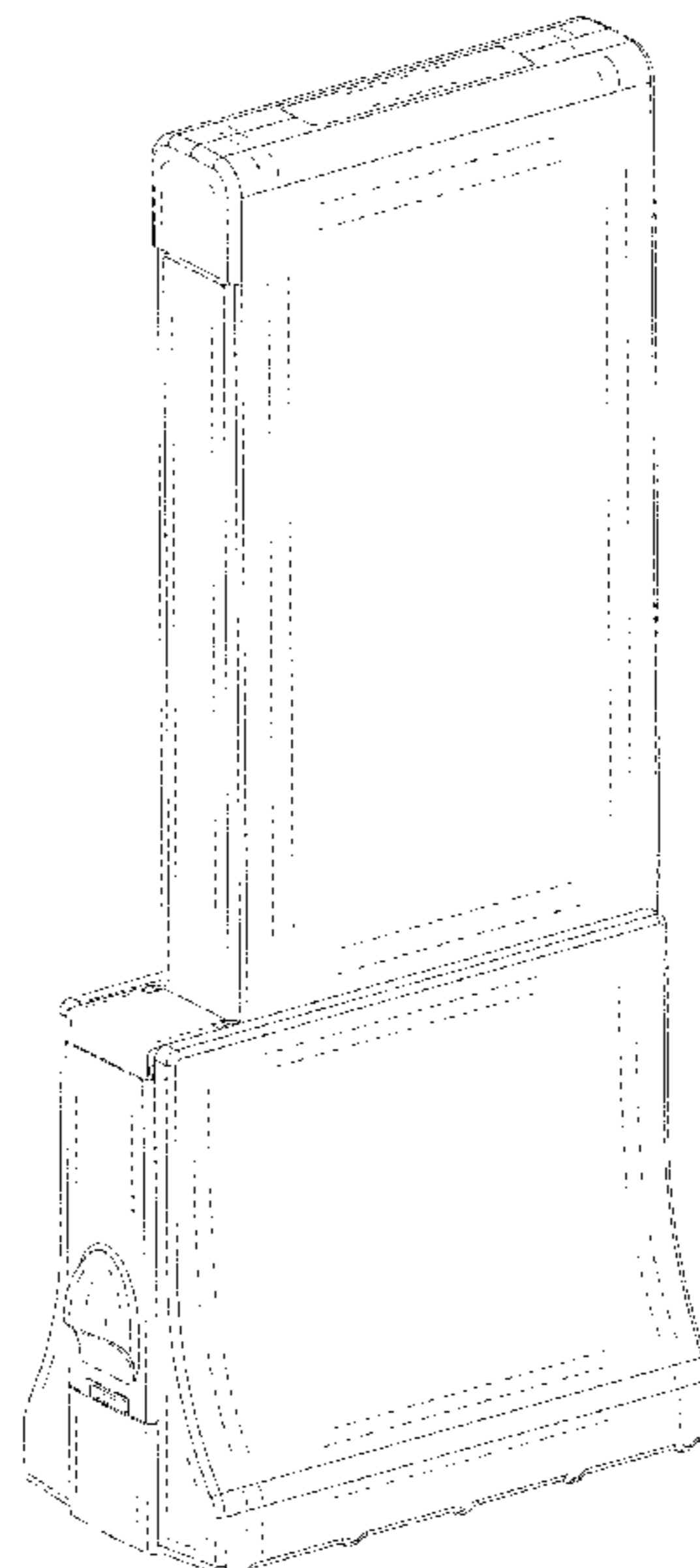
(57) **CLAIM**

The ornamental design for a utensil dispenser, as shown and described.

DESCRIPTION

FIG. 1 is a front elevation view of a utensil dispenser, showing our new design;
FIG. 2 is a rear elevation view thereof;
FIG. 3 is a left side elevation view thereof;
FIG. 4 is a right side elevation view thereof;
FIG. 5 is a top, front and left side perspective view thereof;
FIG. 6 is a top, front and right side perspective view thereof;
FIG. 7 is a bottom, rear and left side perspective view thereof; and,
FIG. 8 is a bottom, rear and right side perspective view thereof.
The broken lines in the figures illustrate the portions of the design that form no part of the claimed design.

1 Claim, 8 Drawing Sheets



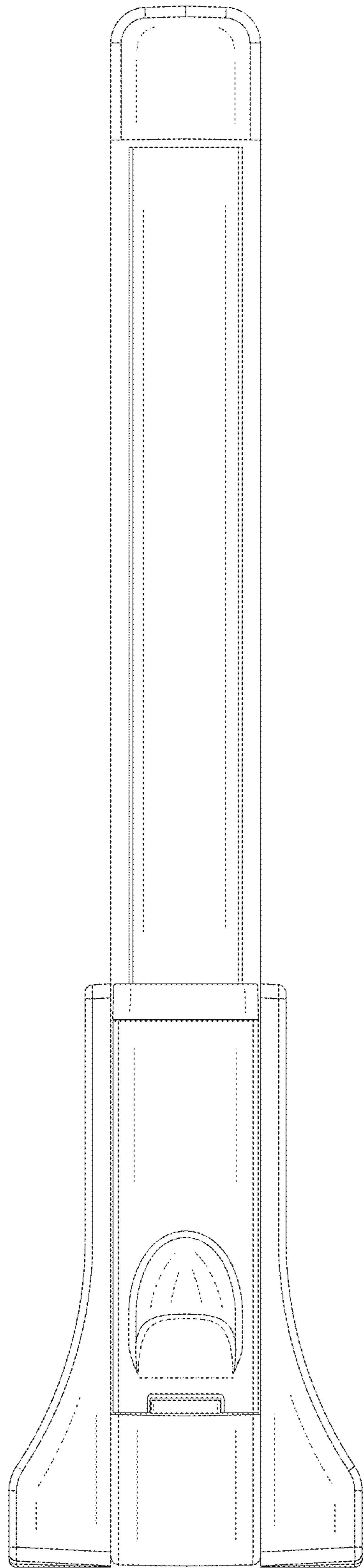


Fig.1

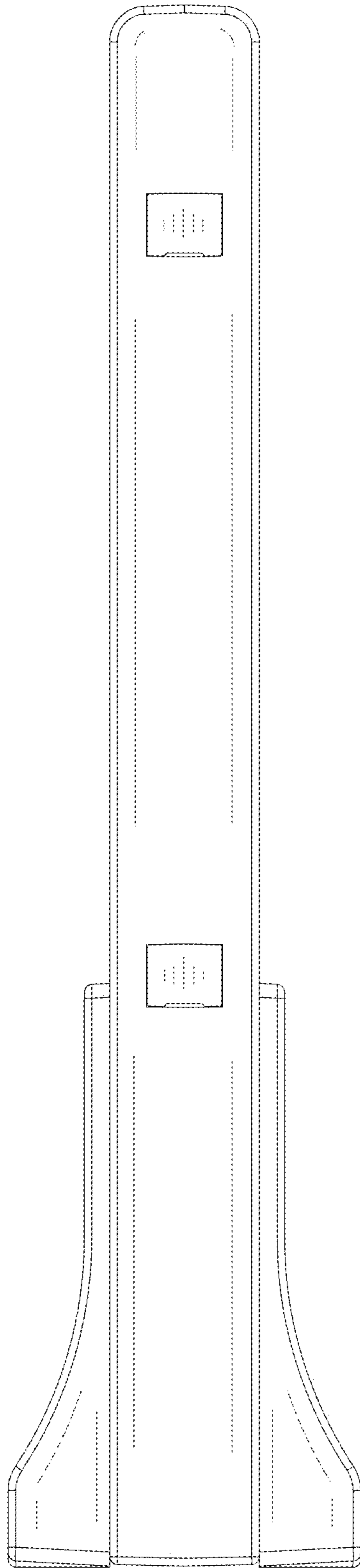


Fig.2

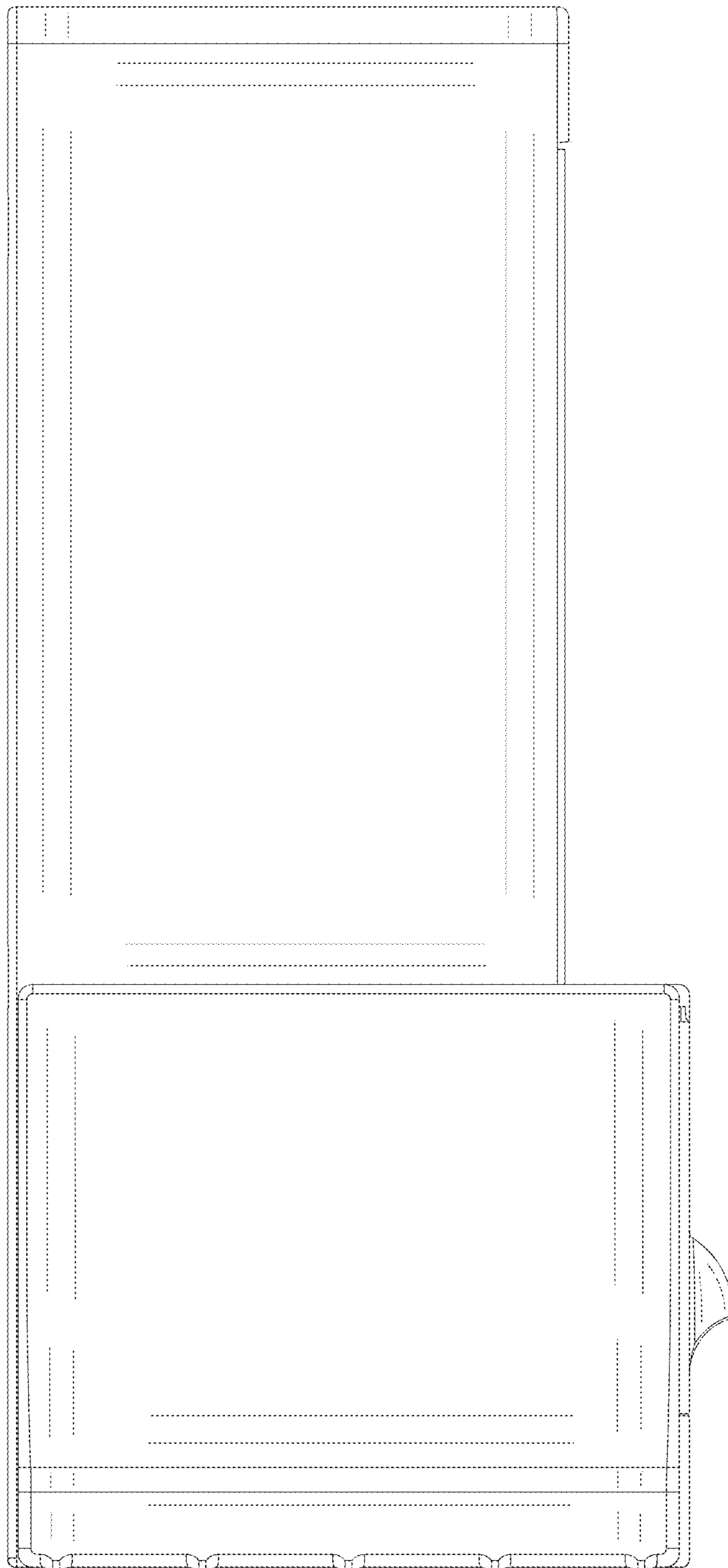


Fig.3

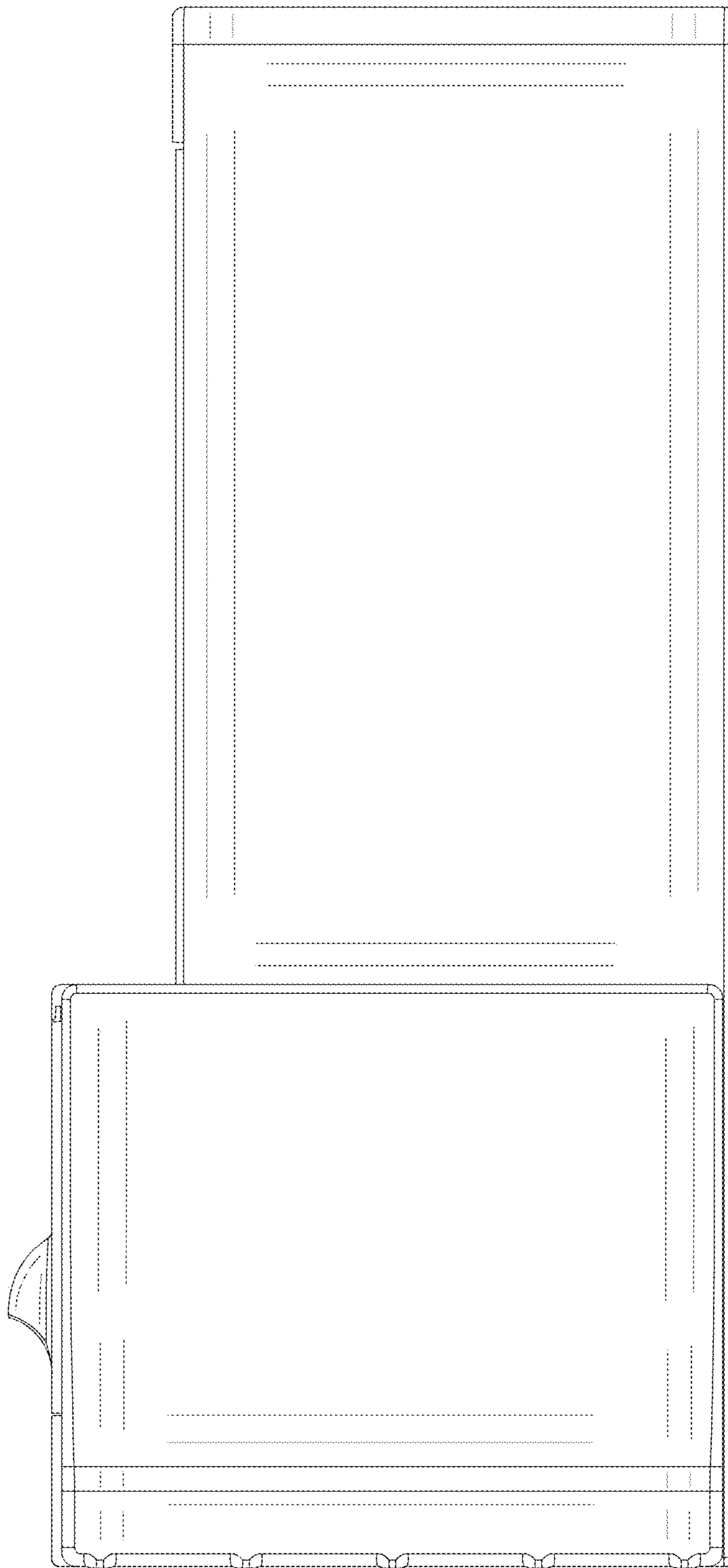


Fig.4

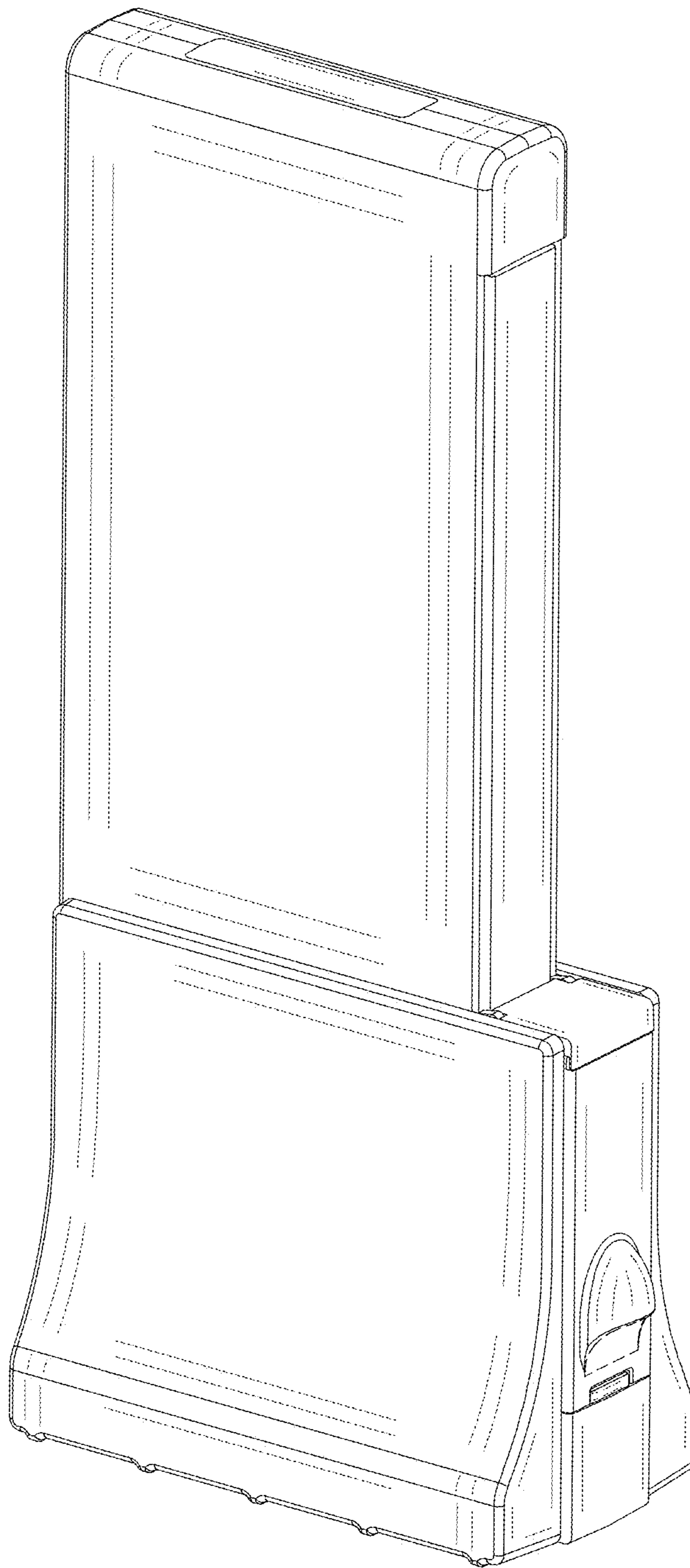


Fig.5

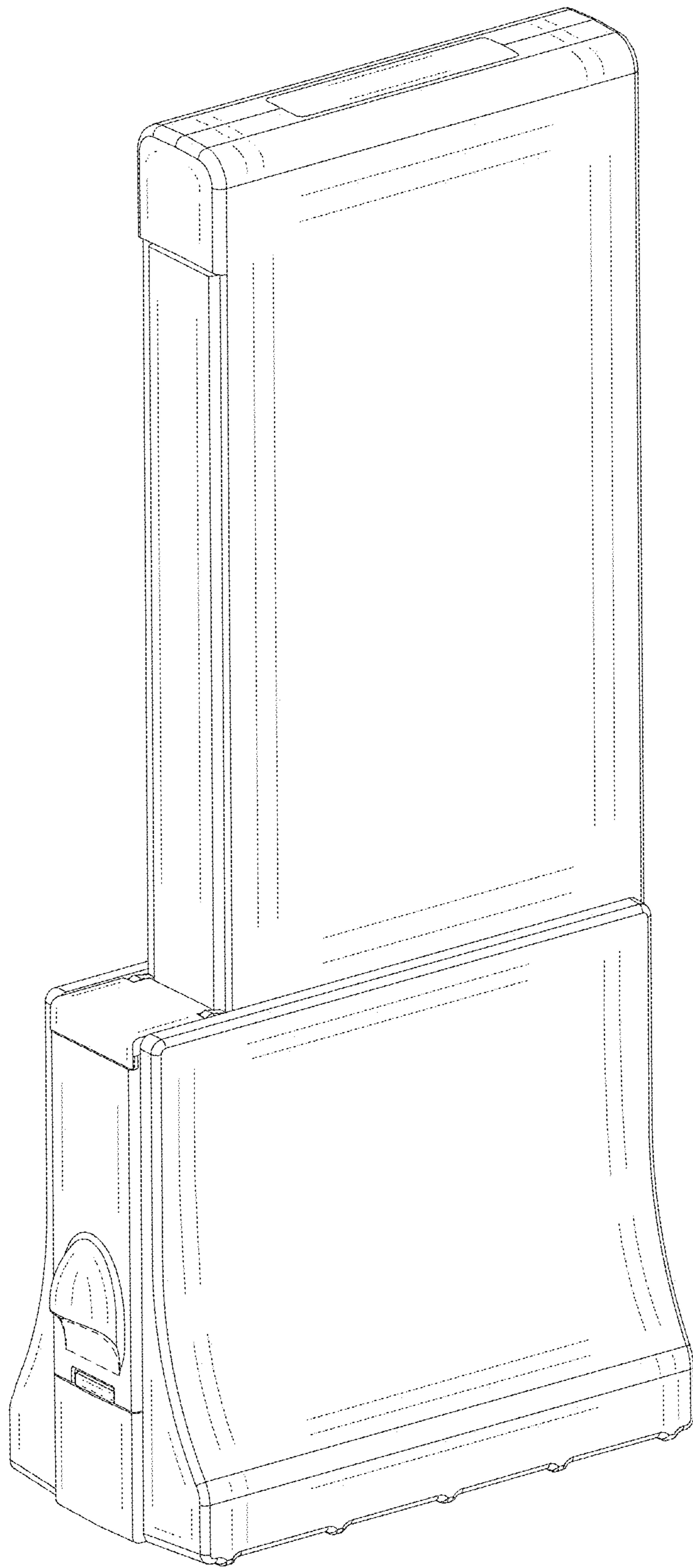


Fig.6

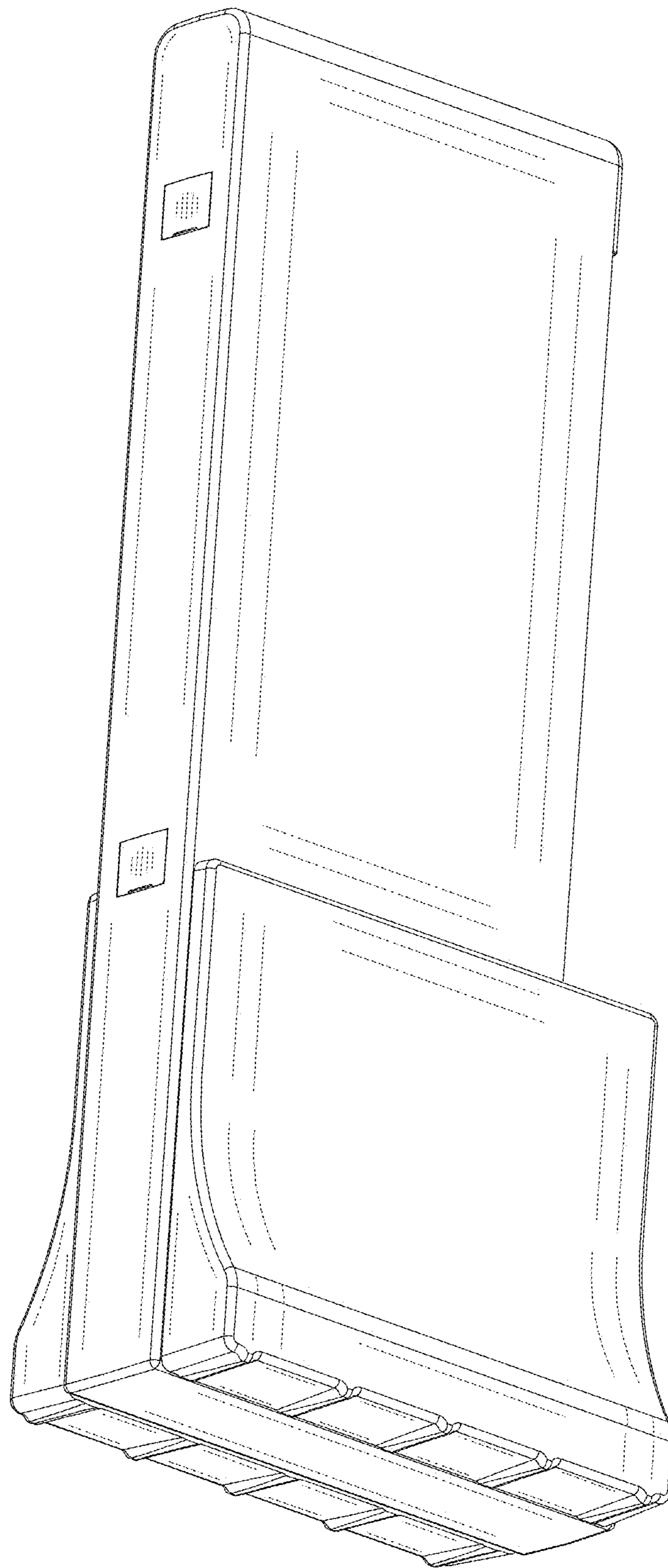


Fig.7

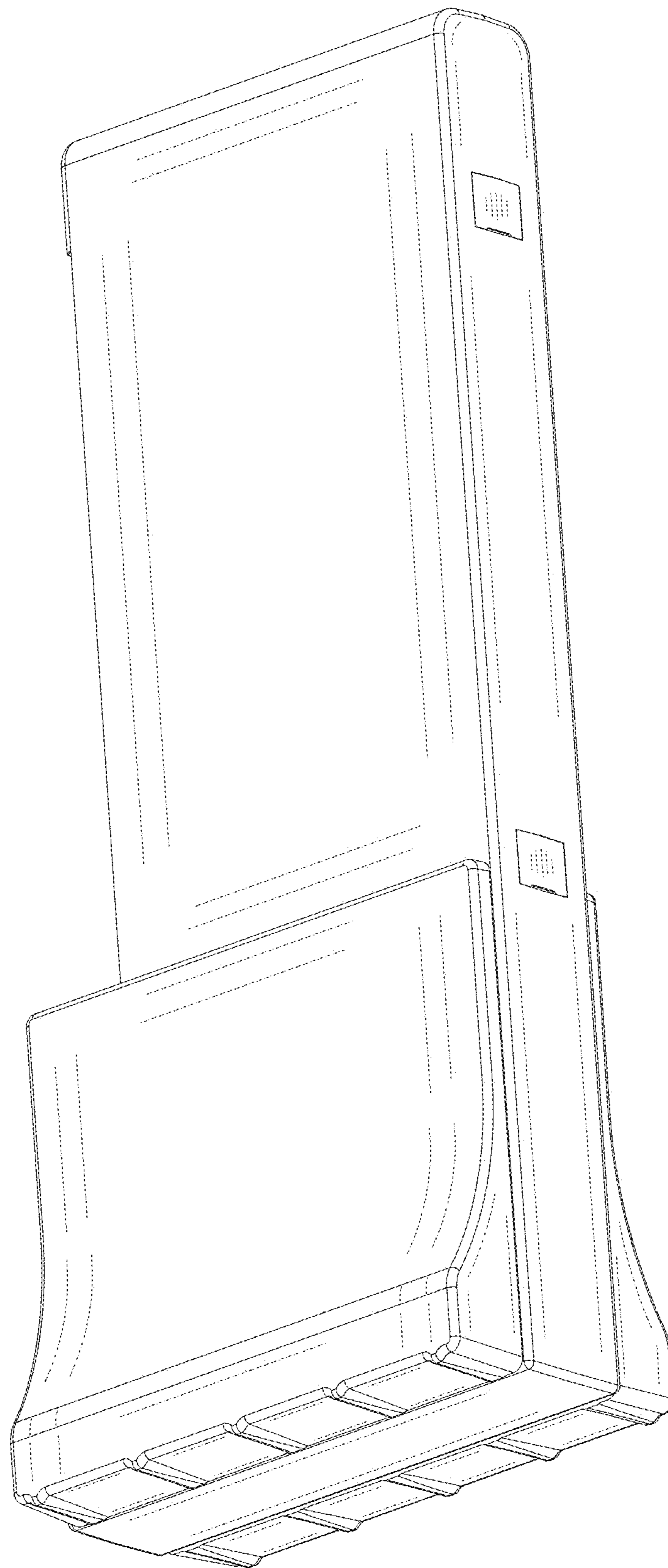


Fig.8