



US00D920051S

(12) **United States Design Patent** (10) **Patent No.:** **US D920,051 S**  
**Li** (45) **Date of Patent:** **\*\* May 25, 2021**

(54) **KNIFE BLOCK**  
(71) Applicant: **Yanjun Li**, Guangzhou (CN)  
(72) Inventor: **Yanjun Li**, Guangzhou (CN)  
(\*\*) Term: **15 Years**  
(21) Appl. No.: **29/695,859**  
(22) Filed: **Jun. 23, 2019**  
(51) **LOC (13) Cl.** ..... **07-99**  
(52) **U.S. Cl.**  
USPC ..... **D7/637**  
(58) **Field of Classification Search**  
USPC ..... D3/304, 306, 316; D6/566, 567, 573,  
D6/574; D7/631, 637-641; D19/75, 81,  
D19/83-86, 90, 92  
CPC ..... A47B 88/00; A47G 21/14; A47G 21/16;  
A47G 21/184; A47G 23/06; A47G  
29/087; A47J 45/02; A47J 47/16; B65D  
1/34; B65D 1/36  
See application file for complete search history.

(56) **References Cited**  
U.S. PATENT DOCUMENTS  
D397,916 S \* 9/1998 Ancona ..... D7/590  
D414,086 S \* 9/1999 Ancona ..... D7/637  
D443,799 S \* 6/2001 Stuchlik, III ..... D7/637

D488,677 S \* 4/2004 Reichenbach ..... D7/637  
D517,376 S \* 3/2006 Conable ..... D7/637  
D517,377 S \* 3/2006 Tetreault ..... D7/637  
7,536,793 B1 \* 5/2009 Richmond ..... A47G 21/14  
211/70.7  
7,631,772 B2 \* 12/2009 Lafleur ..... A47G 21/14  
211/70.7  
D646,935 S \* 10/2011 Hatch ..... D7/637  
D712,706 S \* 9/2014 de Bretton Gordon ..... D7/637  
D760,551 S \* 7/2016 Laamanen ..... D7/637  
D801,755 S \* 11/2017 Barrier ..... D7/637  
2016/0214128 A1 \* 7/2016 Lockard ..... A47G 21/14

\* cited by examiner

*Primary Examiner* — Janice Patyk

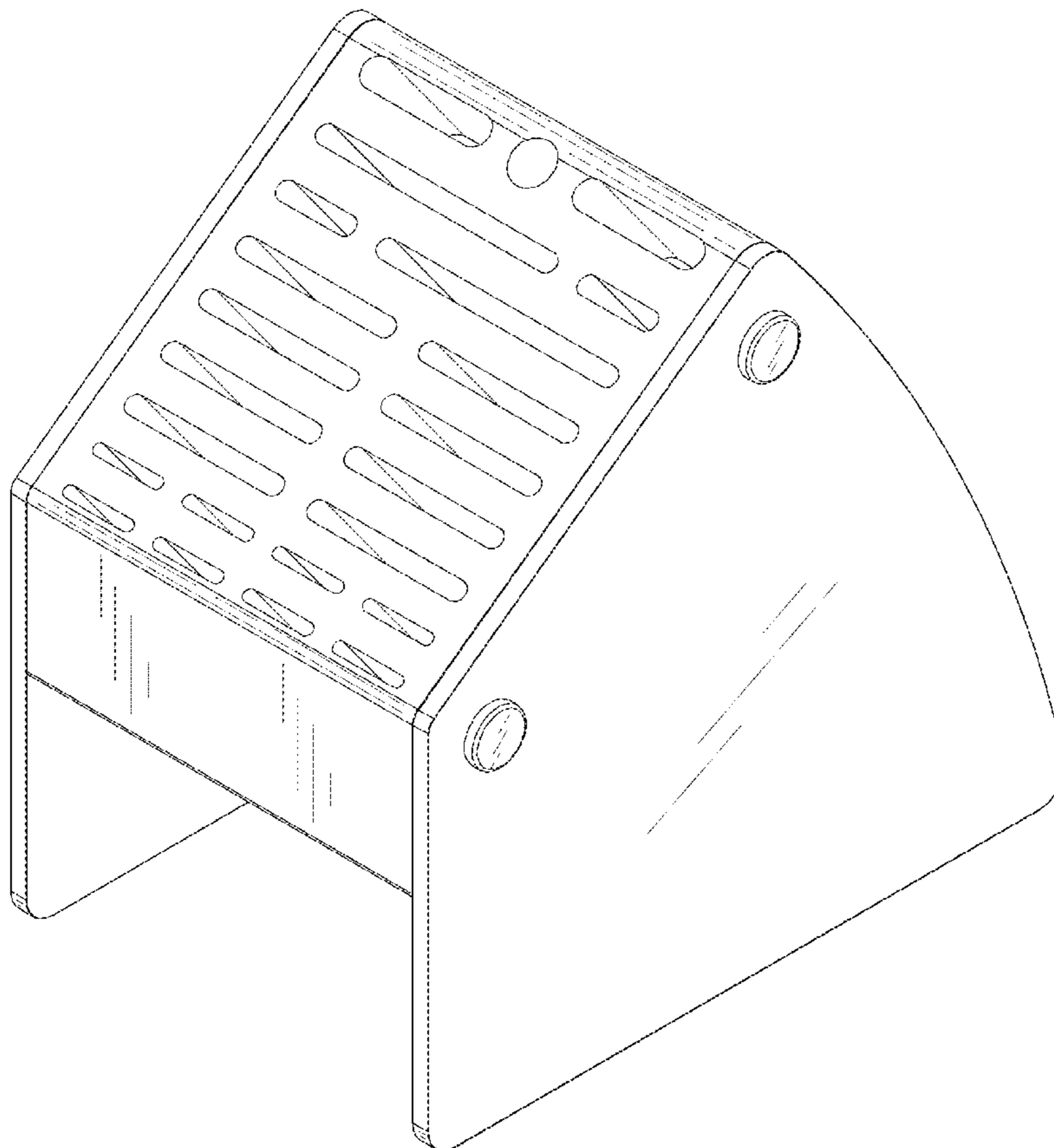
(57) **CLAIM**

The ornamental design for a knife block, as shown and described.

**DESCRIPTION**

FIG. 1 is a front perspective view of a knife block, showing my new design;  
FIG. 2 is a rear perspective view thereof;  
FIG. 3 is a front elevational view thereof;  
FIG. 4 is a rear elevational view thereof;  
FIG. 5 is a left side elevational view thereof;  
FIG. 6 is a right side elevational view thereof;  
FIG. 7 is a top plan view thereof; and,  
FIG. 8 is a bottom plan view thereof.

**1 Claim, 8 Drawing Sheets**



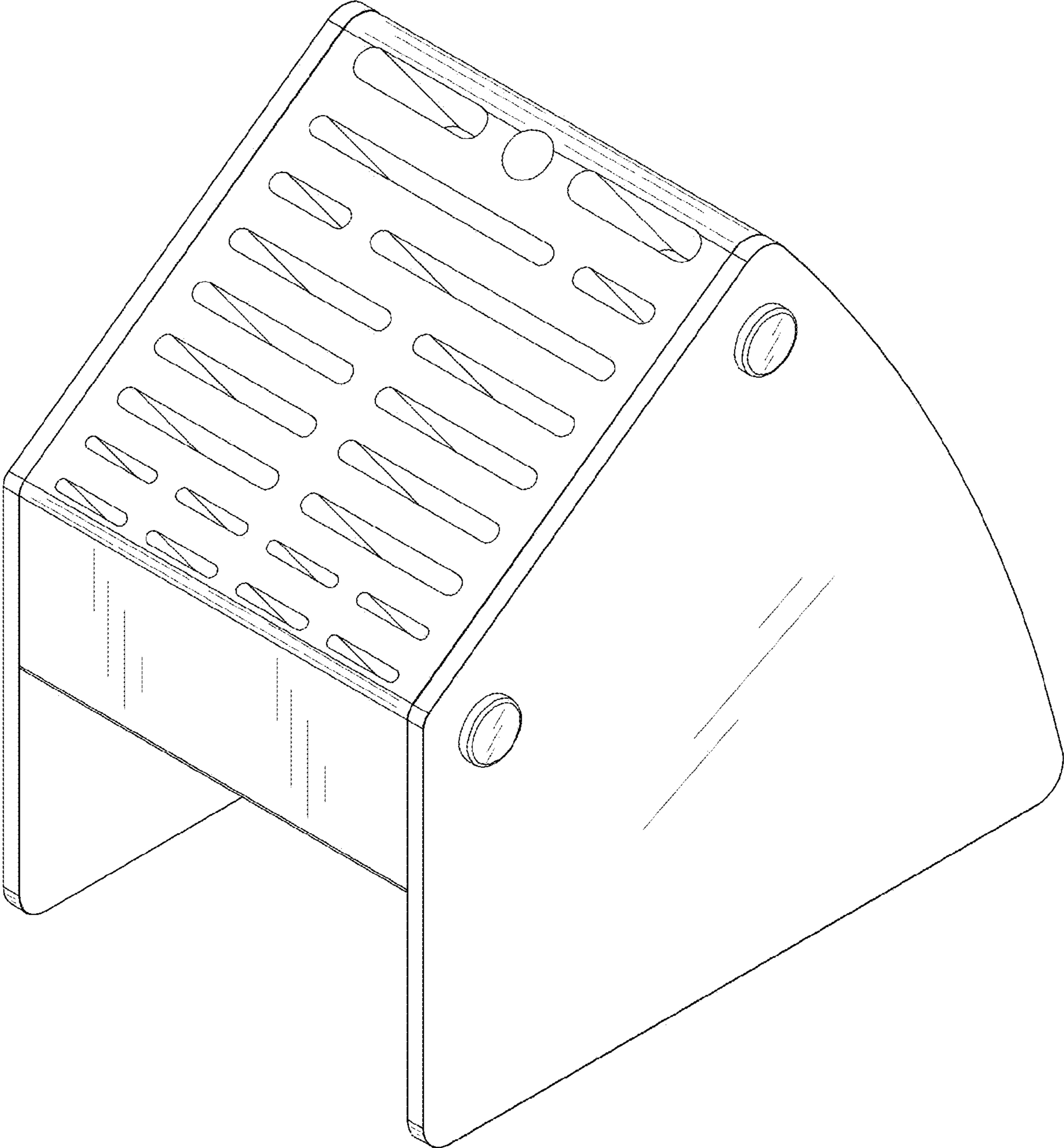


FIG. 1

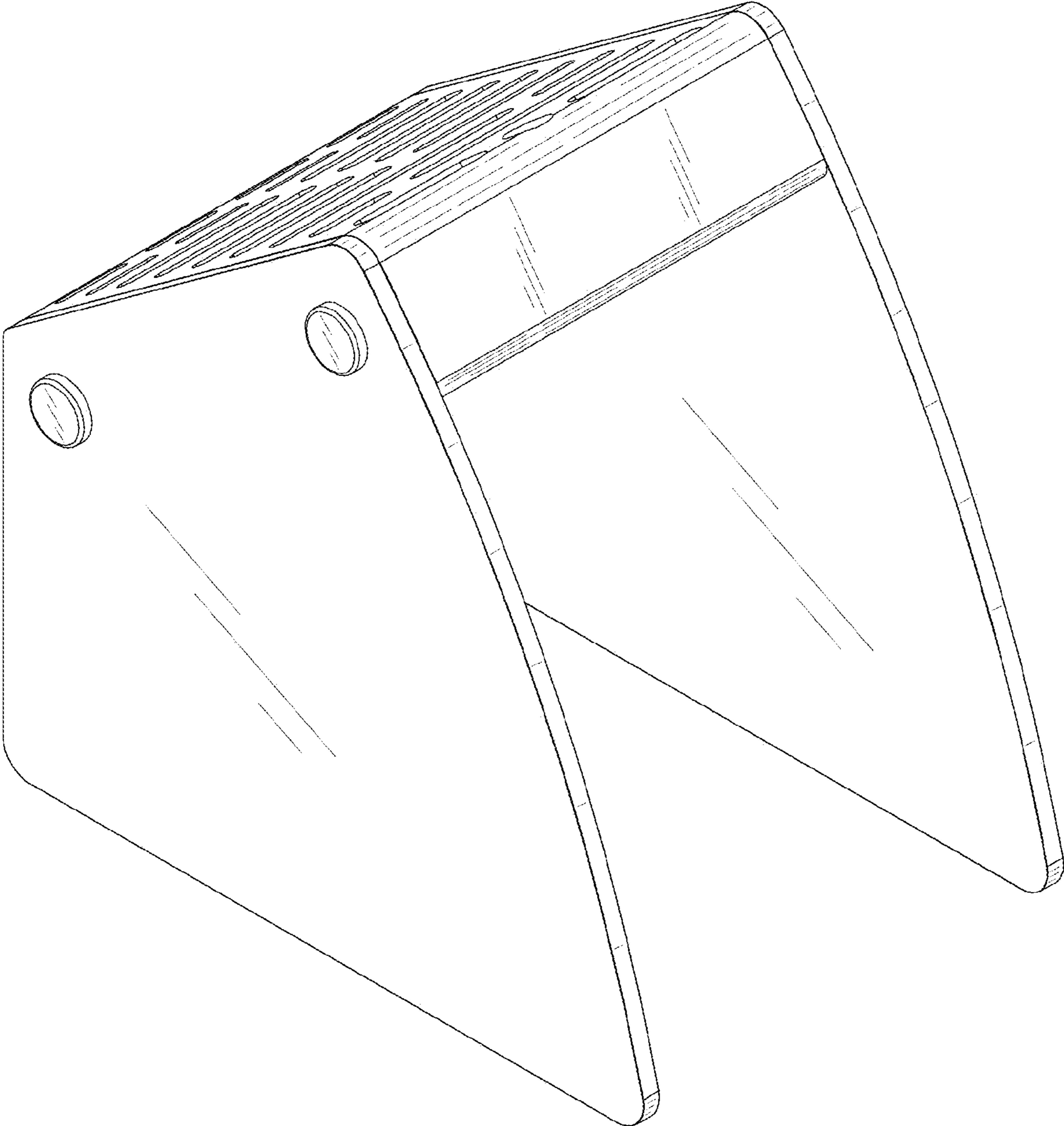


FIG. 2

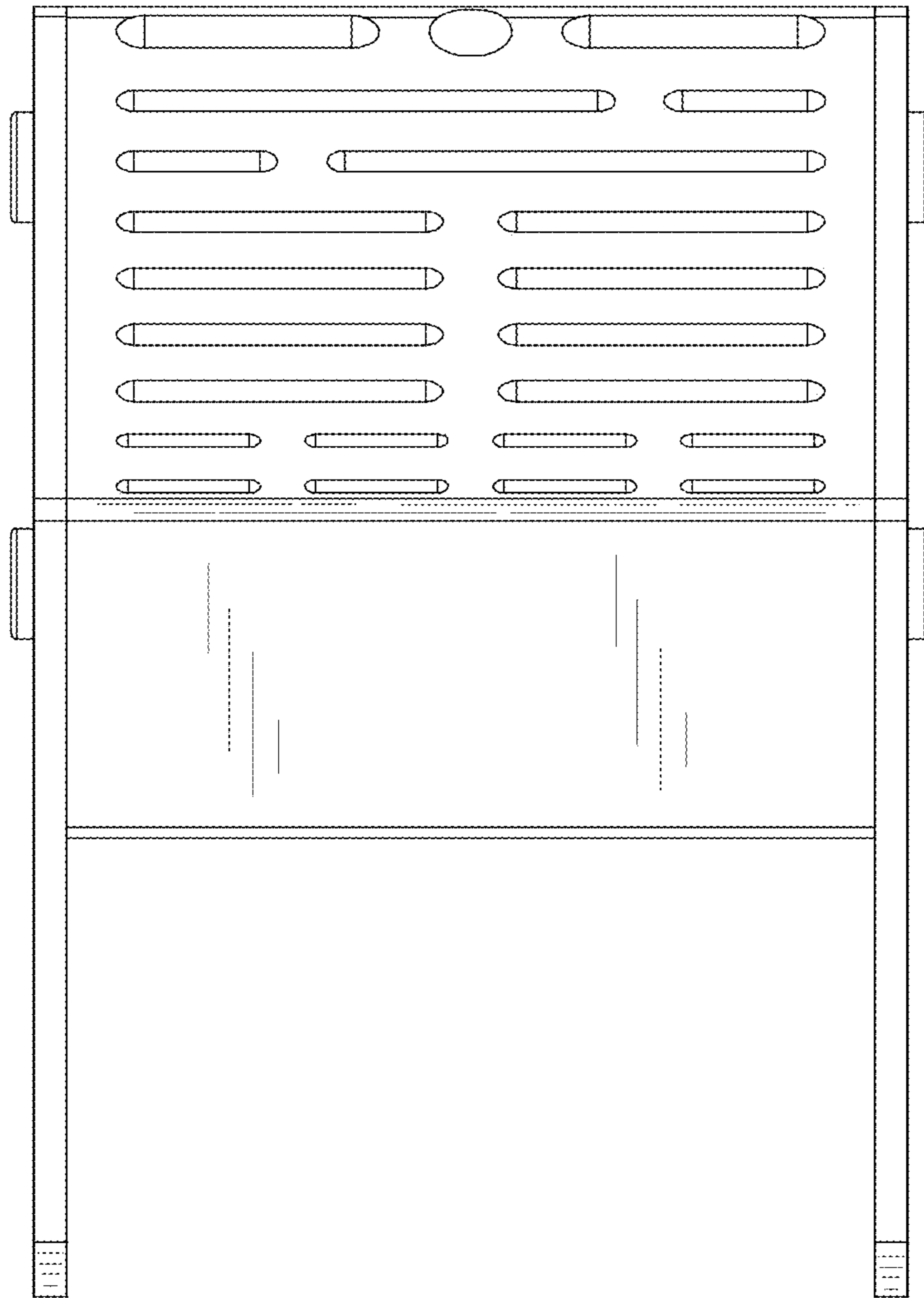


FIG. 3

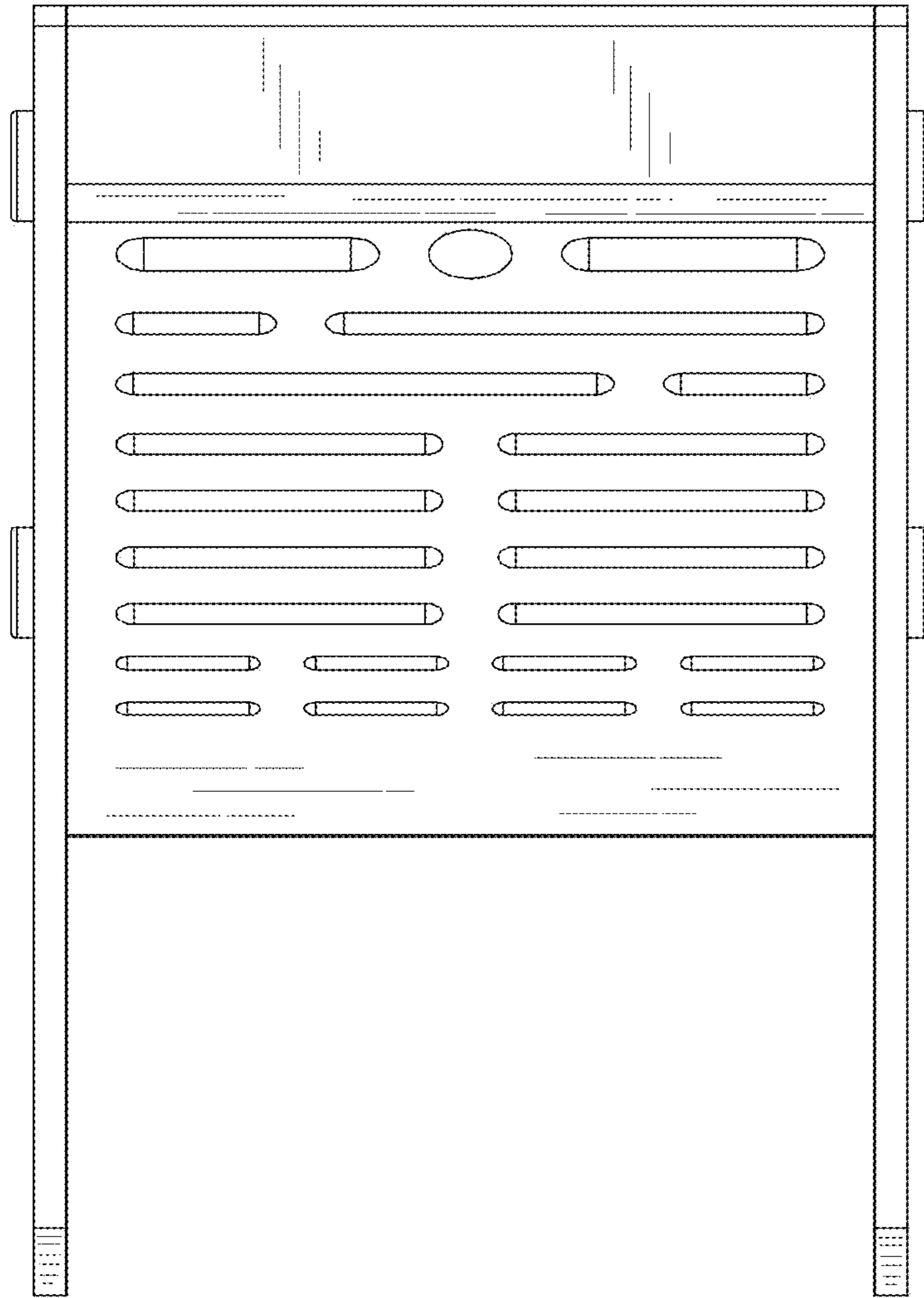


FIG. 4

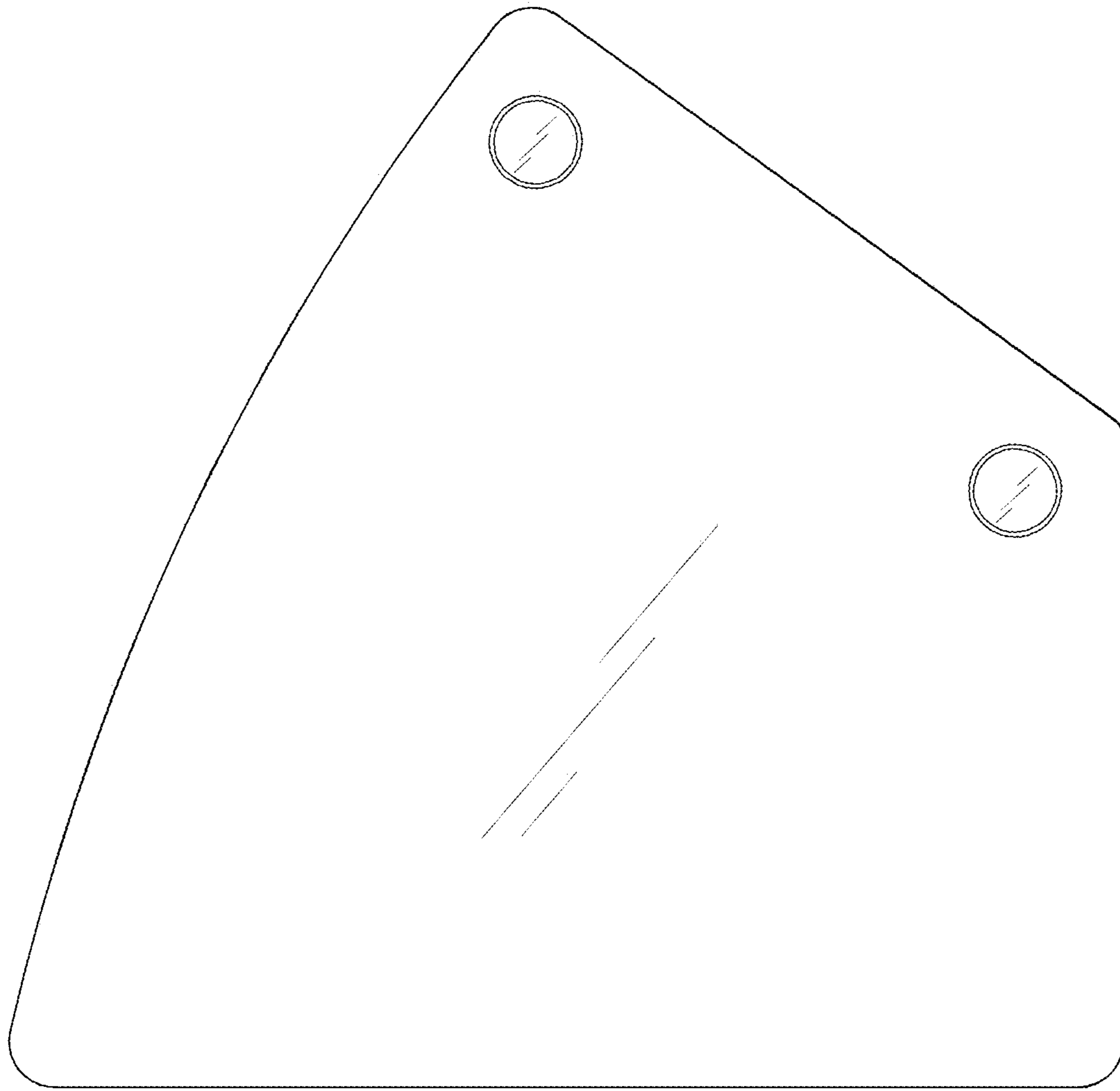


FIG. 5

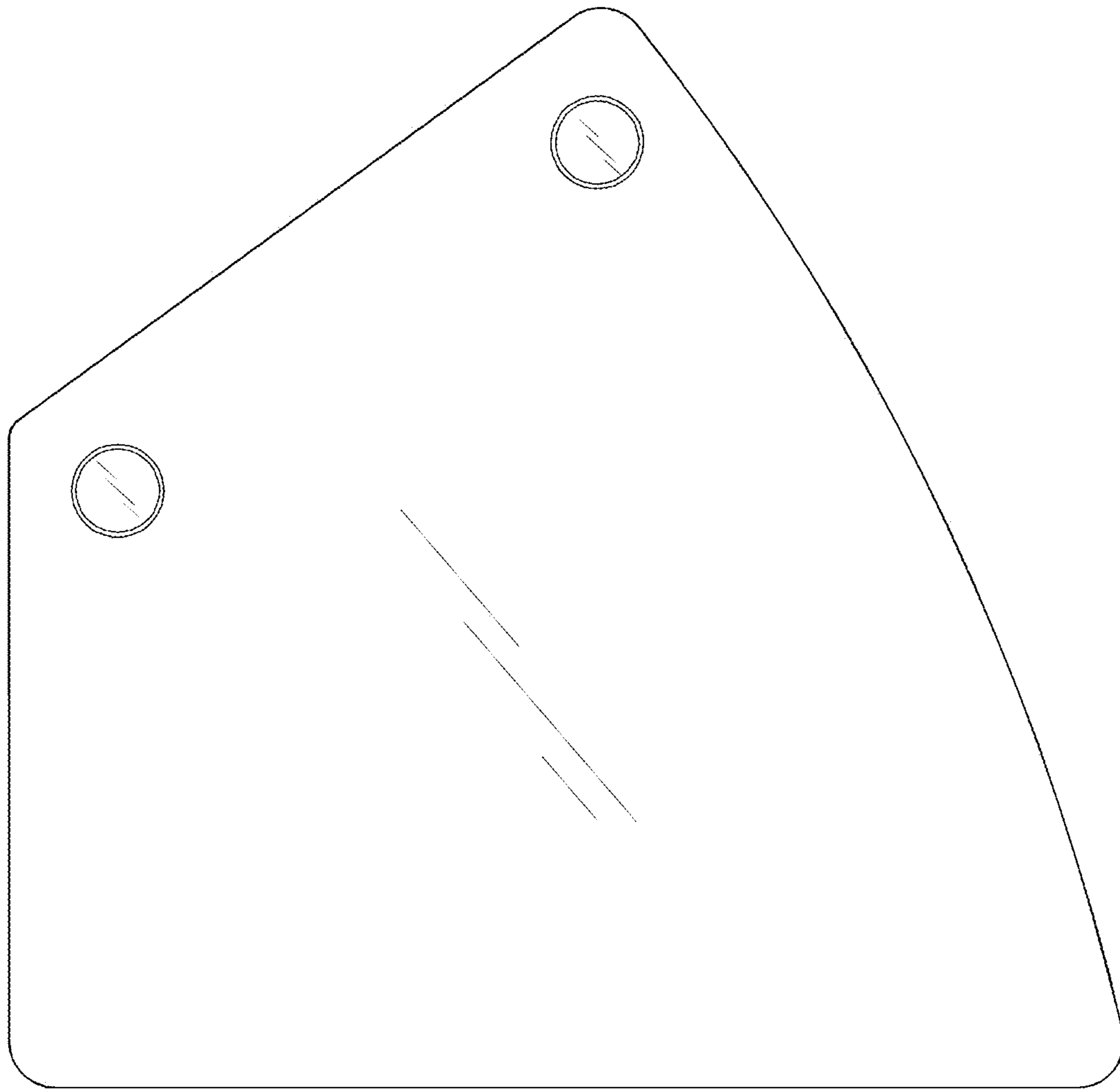


FIG. 6

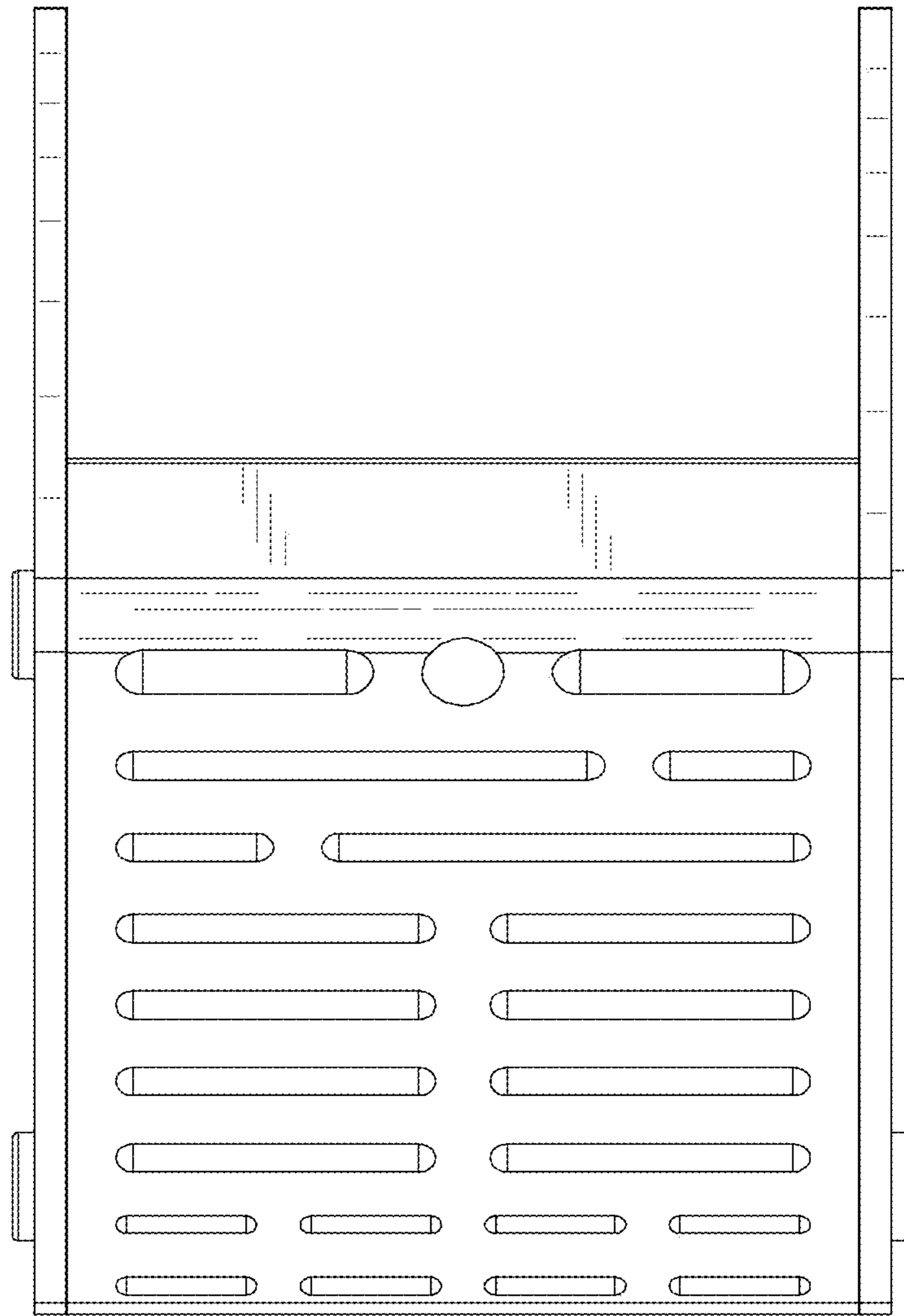


FIG. 7



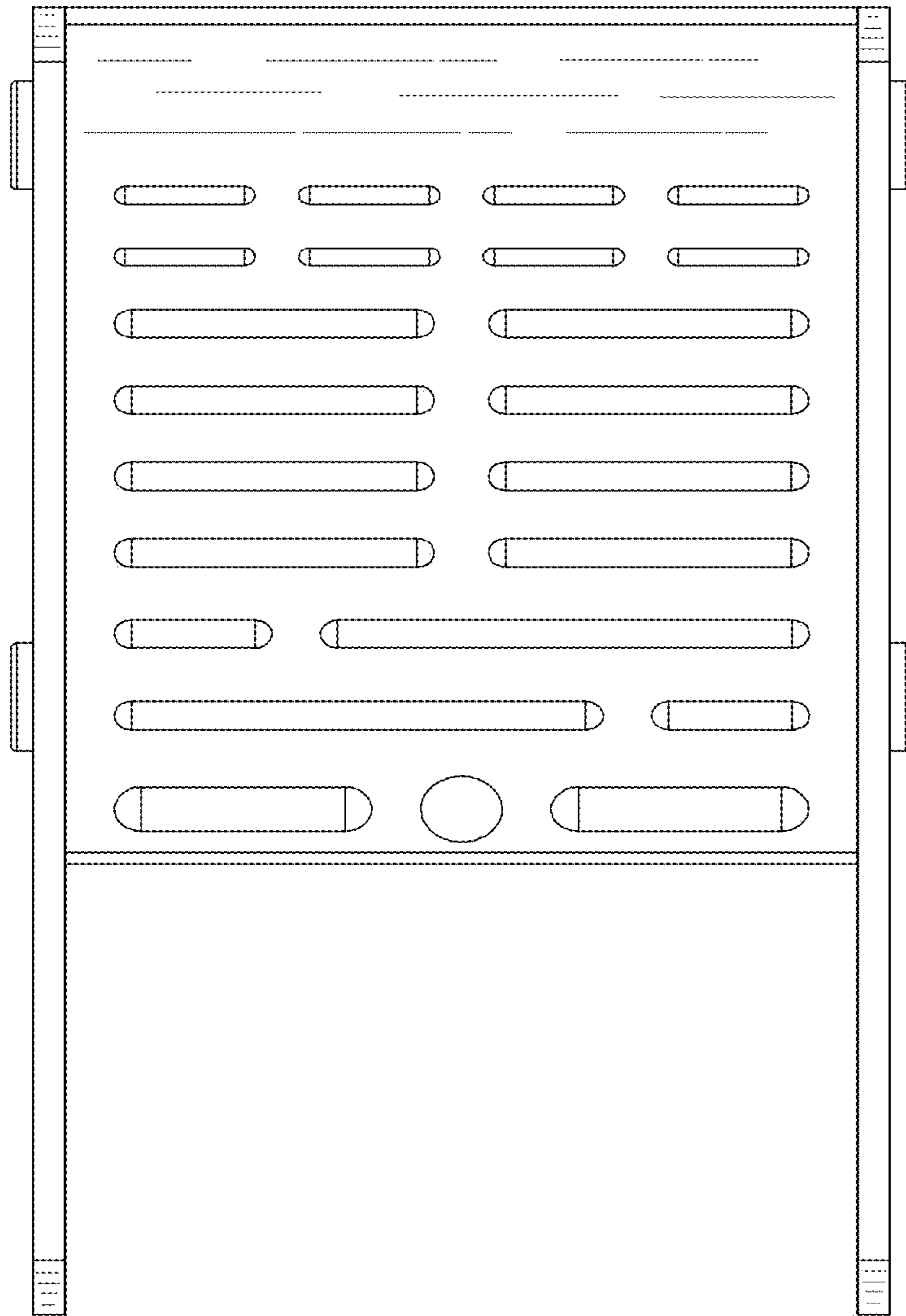


FIG. 8