

US00D920048S

(12) **United States Design Patent** (10) **Patent No.:** **US D920,048 S**  
**Wang** (45) **Date of Patent:** **\*\* May 25, 2021**

(54) **BEVERAGE CONTAINER**

(71) Applicant: **Mu-I Wang**, New Taipei (TW)

(72) Inventor: **Mu-I Wang**, New Taipei (TW)

(\*\*) Term: **15 Years**

(21) Appl. No.: **29/701,741**

(22) Filed: **Aug. 14, 2019**

(51) **LOC (13) Cl.** ..... **07-01**

(52) **U.S. Cl.**

USPC ..... **D7/523**

(58) **Field of Classification Search**

USPC ..... D7/536, 591, 510, 300.1, 507, 511, 592, D7/679, 300.2, 392.1, 392, 608, 448, 523, D7/624.2, 532, 413, 376, 378, 384, 529, D7/396.6, 396.2, 552.1, 551.1, 553.8, D7/702, 533, 553.2, 553.3, 624.1, 624.3, D7/553.5, 701, 600.1, 602, 683, 409, 383; D9/504, 683, 501, 502, 517, 541, 689, D9/503, 500, 529, 526, 449, 445, 530, D9/553, 443, 414, 415, 754, 527, 452, D9/565, 552, 455, 454, 914, 575, 556, D9/23.8, 23.83, 23.86, 574, 574.1, 515, D9/456, 444, 688, 544, 560, 520, 571; 220/568, 708, 705, 710, 509, 592.14, 220/592.17, 710.5, 495.03; 215/6; D10/46.2, 46.3; D26/9  
CPC ..... A45C 11/34; A45C 11/00; A47G 19/065; A47G 19/22; A47G 19/2272; A47G 19/06; A47G 19/2227; A47G 19/00; A47G 19/2205; A47G 23/0641; B65D 77/283; B65D 23/04; B65D 51/24; B65D 1/34; A61J 1/00; A61J 1/1412; A45F 3/20; G09B 27/08; A63F 9/1044; A47F 7/02

See application file for complete search history.

(56) **References Cited**

U.S. PATENT DOCUMENTS

D119,618 S *	3/1940	Fuerst .....	D11/143
D216,142 S *	11/1969	Gribbens .....	D7/523
D220,845 S *	6/1971	Mascetti, Jr. ....	D7/533
D288,766 S *	3/1987	Tardif .....	D7/523
D331,173 S *	11/1992	Durand .....	D7/507
D340,385 S *	10/1993	Durand .....	D7/509
D424,377 S *	5/2000	Wyche .....	D7/523
D441,609 S *	5/2001	Hsu .....	D7/523

(Continued)

FOREIGN PATENT DOCUMENTS

AU	315862	*	8/2007
AU	354843	*	4/2014

OTHER PUBLICATIONS

Smarty Had A Party, "Cheers to Summer, Smarties!" Jul. 7, 2015, Facebook.com, www.facebook.com/smartyhadaparty/photos/a.17985417910/10153273878297911 (Year: 2015).\*

(Continued)

*Primary Examiner* — Shannon W Morgan  
*Assistant Examiner* — Arva P Adams  
(74) *Attorney, Agent, or Firm* — Rosenberg, Klein & Lee

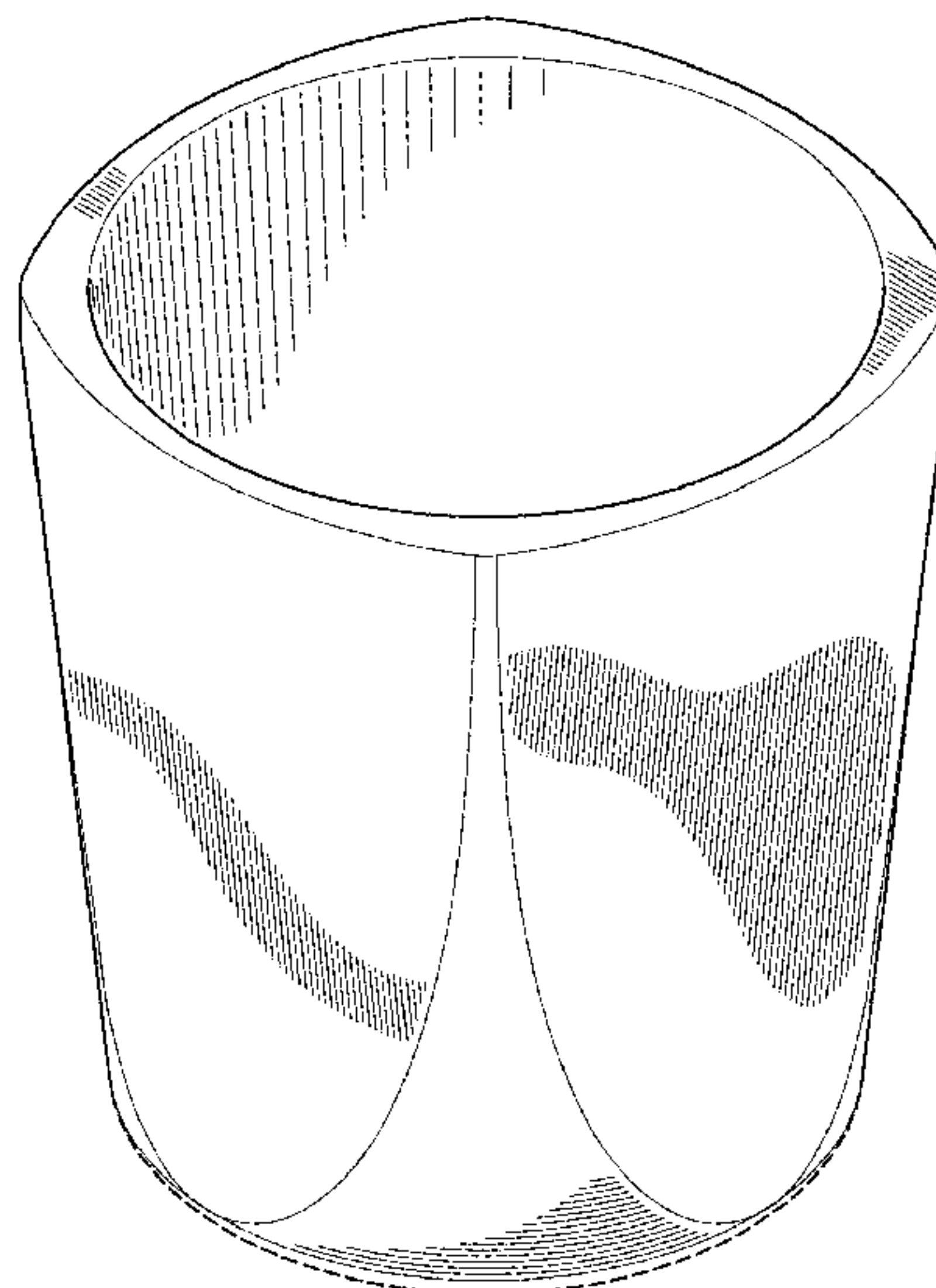
(57) **CLAIM**

The ornamental design for a beverage container, as shown and described.

**DESCRIPTION**

FIG. 1 is a perspective view of a beverage container showing my new design;  
FIG. 2 is a front elevational view thereof; the rear elevational view, the left and right side elevational views being identical;  
FIG. 3 is a top plan view thereof; and,  
FIG. 4 is a bottom plan view thereof.  
The broken lines in the drawings illustrate portions of the beverage container that form no part of the claimed design.

**1 Claim, 3 Drawing Sheets**



(56)

**References Cited**

## U.S. PATENT DOCUMENTS

D448,867 S \* 10/2001 Manocheo ..... D26/11  
D462,294 S \* 9/2002 Walsh ..... D11/143  
D484,365 S \* 12/2003 Wyche ..... D7/500  
D557,074 S \* 12/2007 Bardolet ..... D7/509  
D604,869 S \* 11/2009 Kubicek ..... D26/9  
D605,315 S \* 12/2009 Kubicek ..... D26/9  
D631,700 S \* 2/2011 Flick ..... D7/523  
D659,586 S \* 5/2012 Brandstatter ..... D11/155  
D663,163 S \* 7/2012 Dick ..... D7/507  
D667,151 S \* 9/2012 Arslanian ..... D26/9  
D705,608 S \* 5/2014 Wolhendler ..... D7/523  
D714,589 S \* 10/2014 Uchida ..... D7/523  
D817,718 S \* 5/2018 Furneaux ..... D7/532  
D825,791 S \* 8/2018 Patti ..... D26/9  
D838,143 S \* 1/2019 Johnson ..... D7/624.2  
D840,558 S \* 2/2019 Hollingsworth ..... D26/9  
D889,203 S \* 7/2020 Bull ..... D7/523  
D889,204 S \* 7/2020 Bull ..... D7/523

## OTHER PUBLICATIONS

Zappy, "Zappy Square 2 Oz Mini Coffee Espresso Cappuccino Mugs," Feb. 10, 2016, Amazon.com, [www.amazon.com/dp/B01BMXDIRU](http://www.amazon.com/dp/B01BMXDIRU) (Year: 2016).\*

JoyJolt, "JoyJolt Luna Crystal Whiskey Glasses," Dec. 19, 2017, Amazon.com, [www.amazon.com/dp/B078HT86Z5](http://www.amazon.com/dp/B078HT86Z5) (Year: 2017).\*

HBARSCI, "Blanc de Glacier Pierre Bougeoir," Apr. 12, 2017, Amazon.ca, [www.amazon.ca/dp/B06XHLN231](http://www.amazon.ca/dp/B06XHLN231) (Year: 2017).\*

Red Rocks, "Double Old Fashioned Whiskey Glass," Nov. 1, 2017, Amazon.com, [www.amazon.com/dp/B077365KJQ](http://www.amazon.com/dp/B077365KJQ) (Year: 2017).\*

BCnmviku, "BCnmviku Espresso Shot Glasses Measuring Cup," May 18, 2018, Amazon.com, [www.amazon.com/dp/B07D5XM4VH](http://www.amazon.com/dp/B07D5XM4VH) (Year: 2018).\*

\* cited by examiner

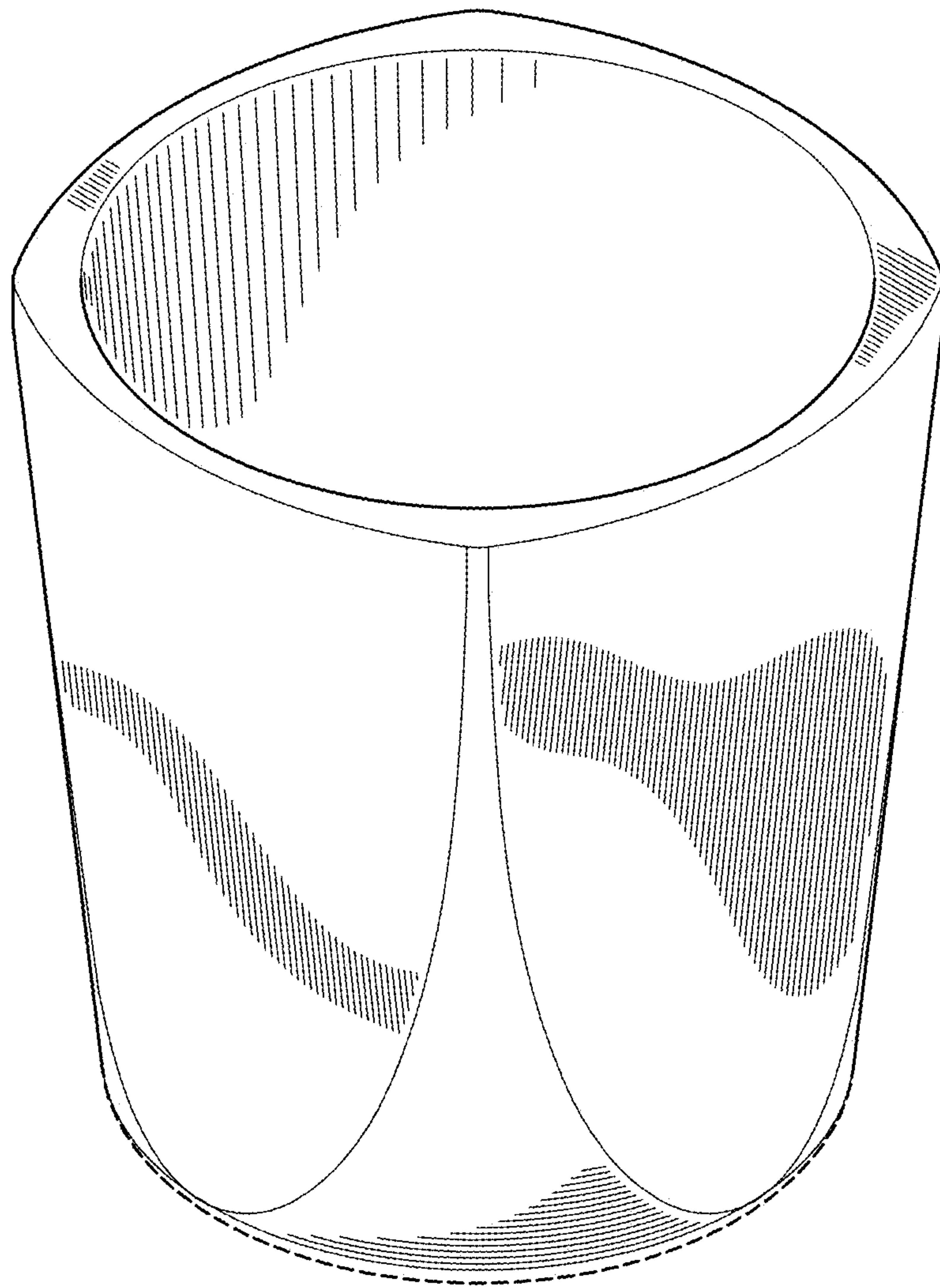


FIG.1

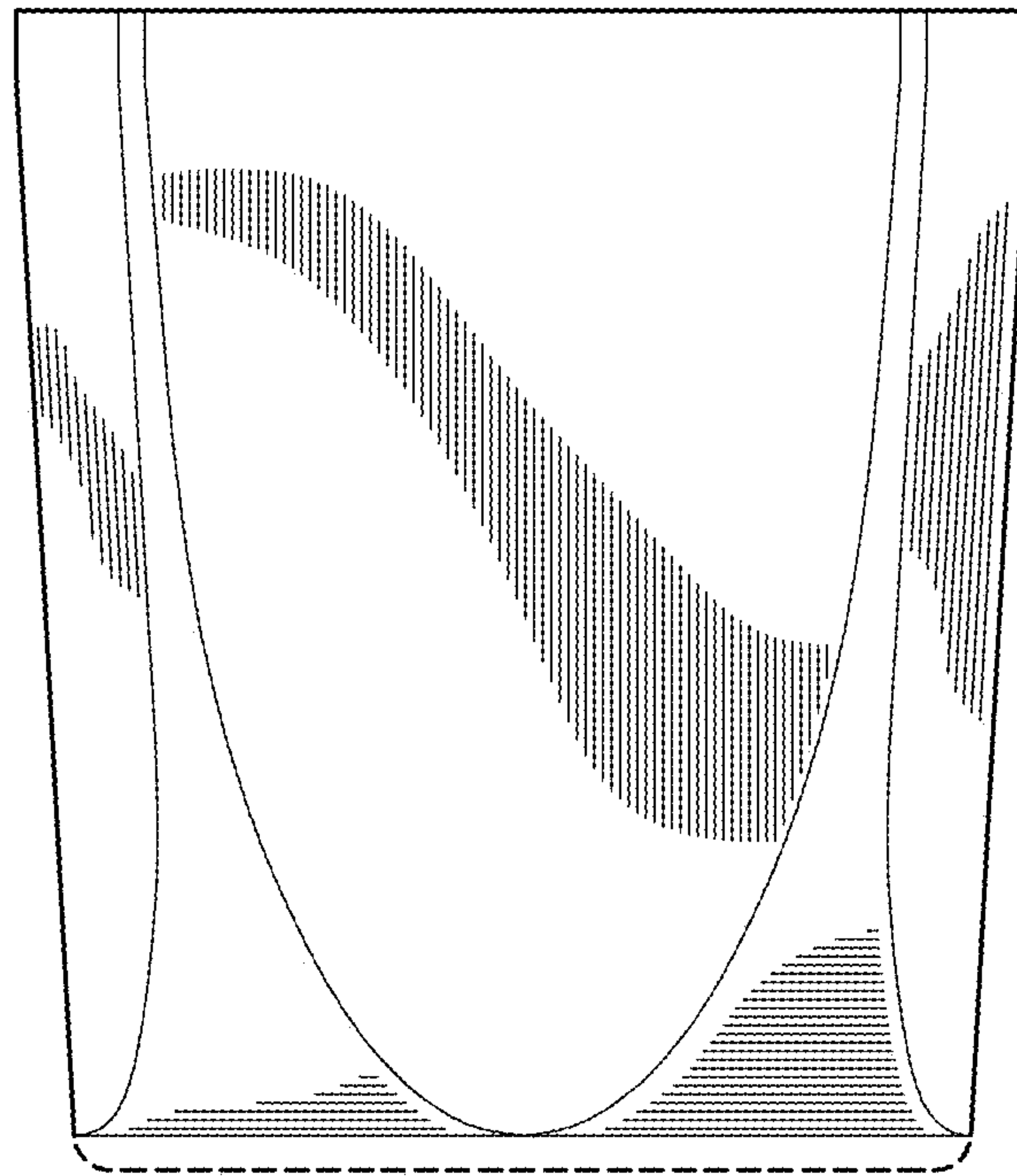


FIG. 2



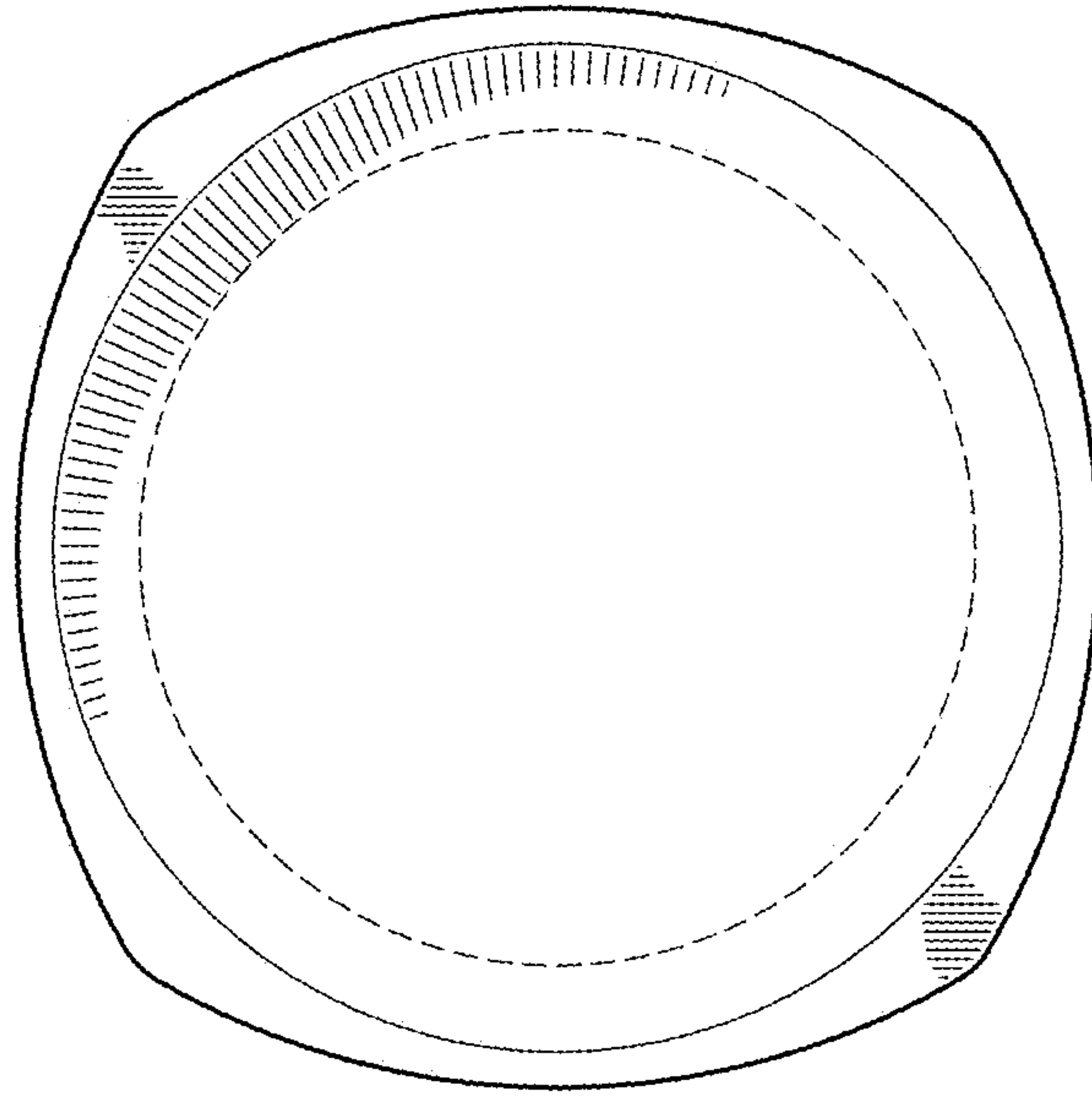


FIG.3

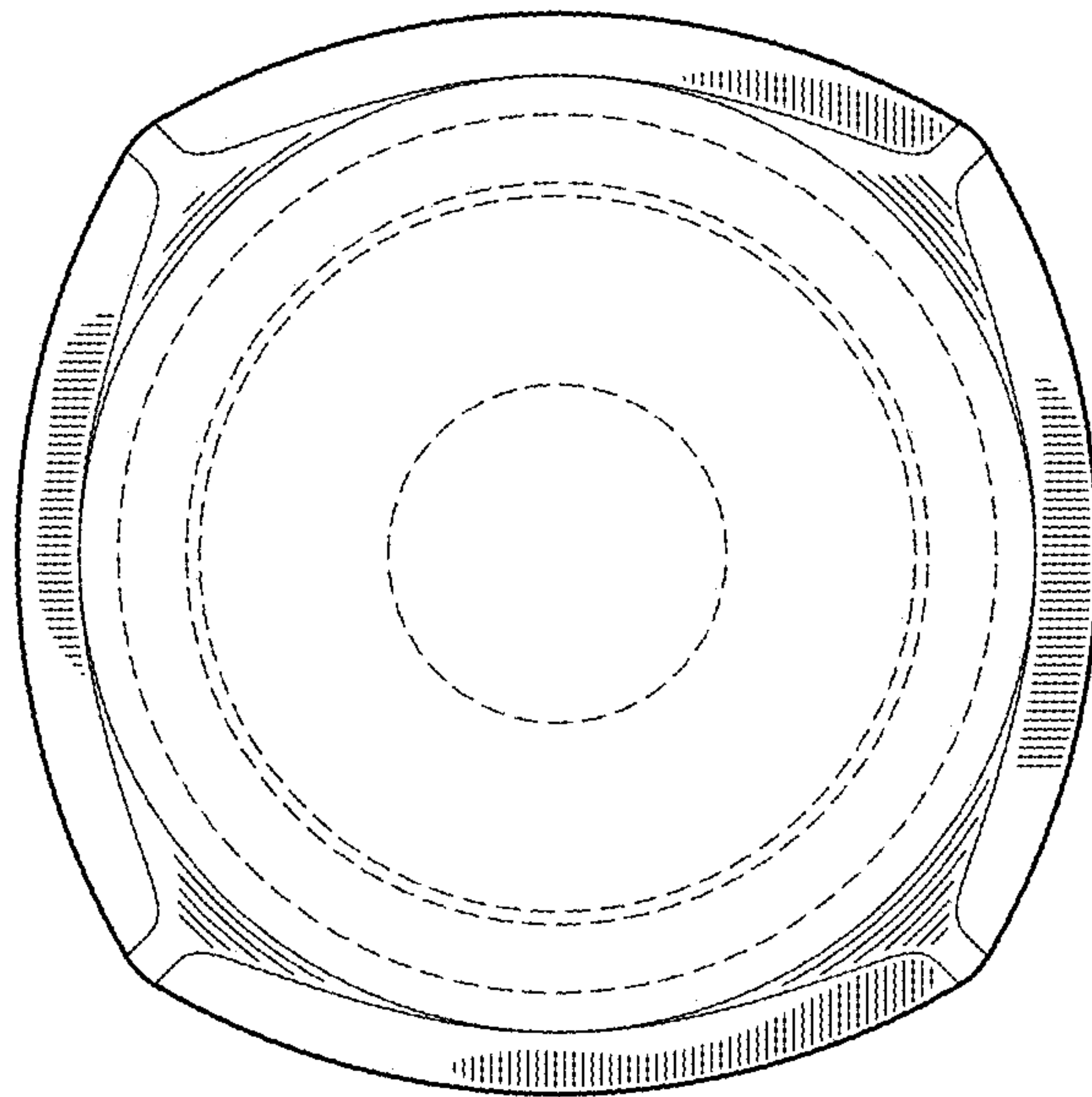


FIG.4