



US00D920045S

(12) **United States Design Patent**
McConnell et al.

(10) **Patent No.:** **US D920,045 S**

(45) **Date of Patent:** **** May 25, 2021**

(54) **BLENDER JAR**

(71) Applicant: **WHIRLPOOL CORPORATION**,
Benton Harbor, MI (US)

(72) Inventors: **John W. McConnell**, St. Joseph, MI
(US); **Brandon T. Mock**, St. Joseph,
MI (US); **Aaron McNabb Evans**, St.
Joseph, MI (US)

(73) Assignee: **Whirlpool Corporation**, Benton
Harbor, MI (US)

(**) Term: **15 Years**

(21) Appl. No.: **29/718,727**

(22) Filed: **Dec. 27, 2019**

(51) **LOC (13) Cl.** **31-00**

(52) **U.S. Cl.**

USPC **D7/413**; D7/376; D7/378; D7/412

(58) **Field of Classification Search**

USPC D7/372, 374, 376–386, 412–413, 602,
D7/607, 629, 665–666, 669, 679,
D7/693–694

CPC A21C 1/02; A21C 1/04; A23N 1/00; A23N
1/02; A47B 77/08; A47J 27/04; A47J
36/321; A47J 43/04; A47J 43/25; A47J
43/27; A47J 43/042; A47J 43/044; A47J
43/046; A47J 43/075; A47J 43/0716;
A47J 43/0722; A47J 43/0727; B01F 3/00;
B01F 3/0807; B01F 3/0853; B01F
11/0008; B01F 13/0059; B01F 13/0064;
B02C 1/08; B02C 2/04; B02C 4/42;
B02C 4/142; B02C 4/143; B02C 4/423;
B02C 13/1835; B28C 5/10; B28C 5/12;
B28C 5/14; B28C 5/16

See application file for complete search history.

(56) **References Cited**

U.S. PATENT DOCUMENTS

D176,257 S 12/1955 Hill et al.
D181,541 S 11/1957 Madl et al.

D187,684 S 4/1960 Hauser et al.
D200,494 S 3/1965 Bezark, Jr.
D287,327 S 12/1986 Cavalli
D310,153 S 8/1990 Kaiser
D424,371 S * 5/2000 Delmonte D6/610
D424,865 S 5/2000 Crescenzi et al.
D444,995 S 7/2001 Thackray
D480,915 S * 10/2003 Kolar D7/413

(Continued)

Primary Examiner — Ricky Pham

(74) *Attorney, Agent, or Firm* — Price Heneveld LLP

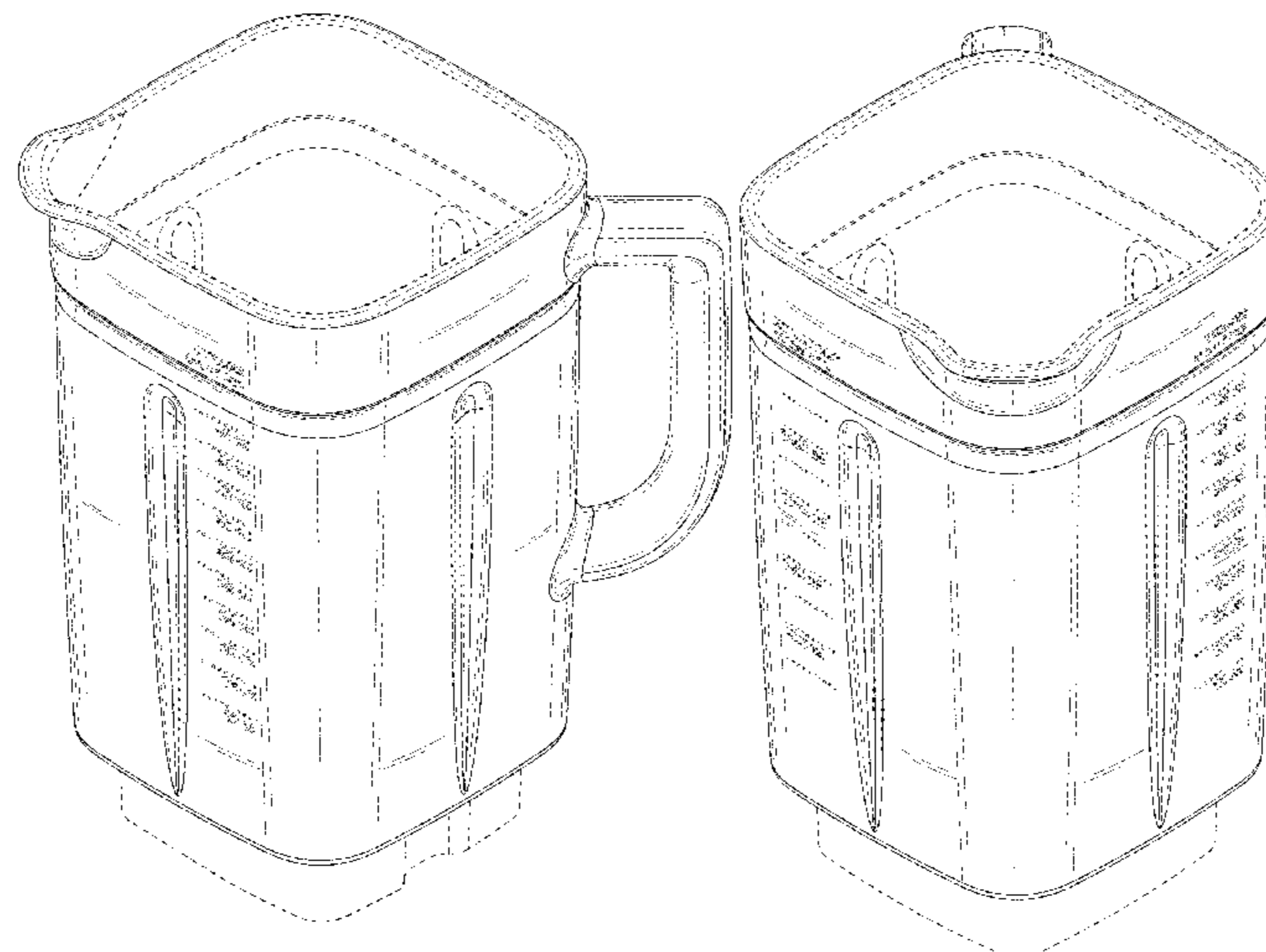
(57) **CLAIM**

We claim the ornamental design for a blender jar, as shown and described.

DESCRIPTION

FIG. 1 is a first side perspective view of a blender jar of the present disclosure;
FIG. 2 is a second side perspective view of the blender jar of FIG. 1;
FIG. 3 is a front perspective view of the blender jar of FIG. 1;
FIG. 4 is a rear perspective view of the blender jar of FIG. 1;
FIG. 5 is a first side elevational view of the blender jar of FIG. 1;
FIG. 6 is a second side elevational view of the blender jar of FIG. 1;
FIG. 7 is a third side elevational view of the blender jar of FIG. 1;
FIG. 8 is a fourth side elevational view of the blender jar of FIG. 1;
FIG. 9 is a top plan view of the blender jar of FIG. 1; and,
FIG. 10 is a bottom plan view of the blender jar of FIG. 1.
The broken lines depict portions of the article that form no part of the claimed design.

1 Claim, 10 Drawing Sheets



(56)

References Cited

U.S. PATENT DOCUMENTS

D484,357 S 12/2003 Seum et al.
 D488,344 S 4/2004 Seum et al.
 D502,047 S 2/2005 Ledingham et al.
 D502,842 S 3/2005 Hallar
 D526,531 S 8/2006 Drees et al.
 D533,395 S 12/2006 Drees et al.
 D547,601 S 7/2007 Ting et al.
 D552,412 S 10/2007 Steiner
 D577,257 S 9/2008 Kuan
 D577,537 S 9/2008 Lee
 D578,340 S * 10/2008 Picozza D7/378
 D578,341 S 10/2008 Picozza et al.
 D587,064 S 2/2009 Mark
 D594,697 S 6/2009 Lavy
 D605,462 S 12/2009 Picozza et al.
 D616,244 S 5/2010 Thai et al.
 D617,136 S 6/2010 Bock et al.
 D631,282 S 1/2011 Ferraby
 D637,870 S 5/2011 Bock
 D642,858 S 8/2011 Lazzer
 D644,480 S 9/2011 Czach et al.
 D667,683 S 9/2012 Czach et al.
 D670,531 S 11/2012 Carlson
 D683,180 S 5/2013 Carlson
 D684,818 S * 6/2013 Lee D7/413
 D694,572 S 12/2013 Kobos et al.
 D694,573 S 12/2013 Norland et al.
 D694,574 S 12/2013 Norland et al.
 D694,582 S 12/2013 Norland

D694,583 S 12/2013 Norland
 D702,993 S 4/2014 Lownds
 D711,682 S 8/2014 Norland et al.
 D731,234 S 6/2015 Weaden et al.
 D731,236 S 6/2015 Yin
 D739,679 S 9/2015 Benoit et al.
 D742,172 S * 11/2015 Dickson, Jr. D7/413
 D747,135 S 1/2016 Ha
 D755,004 S 5/2016 Bock et al.
 D761,617 S 7/2016 Dennisur et al.
 D769,061 S 10/2016 Diderotto
 D770,226 S 11/2016 McConnell et al.
 D772,008 S 11/2016 McConnell et al.
 D772,009 S 11/2016 McConnell et al.
 D781,098 S 3/2017 Bond et al.
 D784,071 S 4/2017 Davies
 D786,613 S 5/2017 McConnell et al.
 D794,381 S 8/2017 McConnell et al.
 D798,109 S * 9/2017 Ulanski D7/413
 D798,653 S 10/2017 Fan
 D808,719 S * 1/2018 Coakley D7/413
 D811,806 S 3/2018 Bock
 D815,887 S 4/2018 Huang et al.
 D828,080 S 9/2018 Ou et al.
 D829,496 S 10/2018 Kim
 D833,814 S * 11/2018 Smith D7/413
 D842,643 S * 3/2019 Mullen D7/378
 D851,982 S * 6/2019 DeLeo D7/378
 D880,239 S * 4/2020 McConnell D7/413
 D905,504 S * 12/2020 Upston D7/413
 2015/0238050 A1 * 8/2015 Lee A47J 43/046
 241/285.2

* cited by examiner

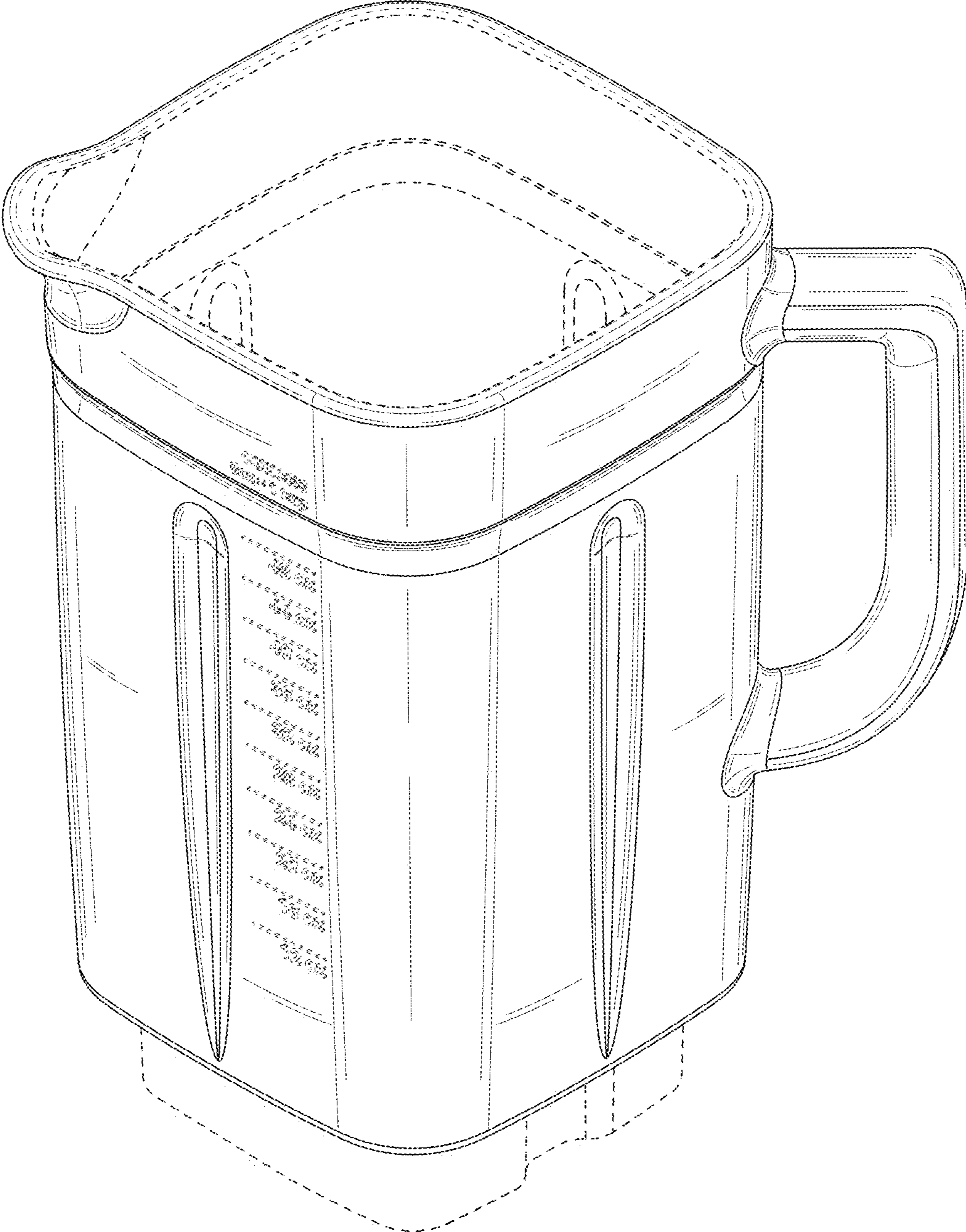


FIG. 1

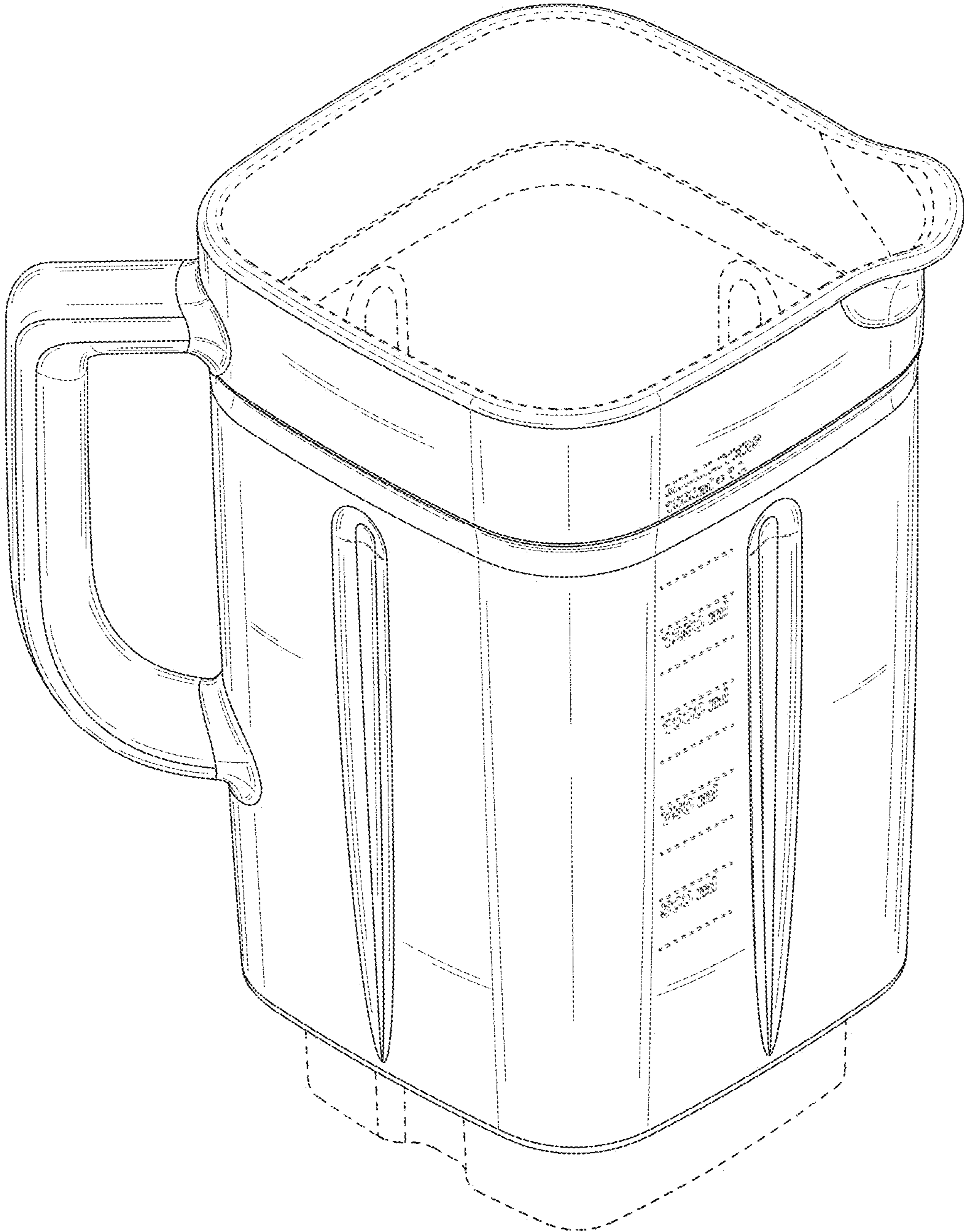


FIG. 2

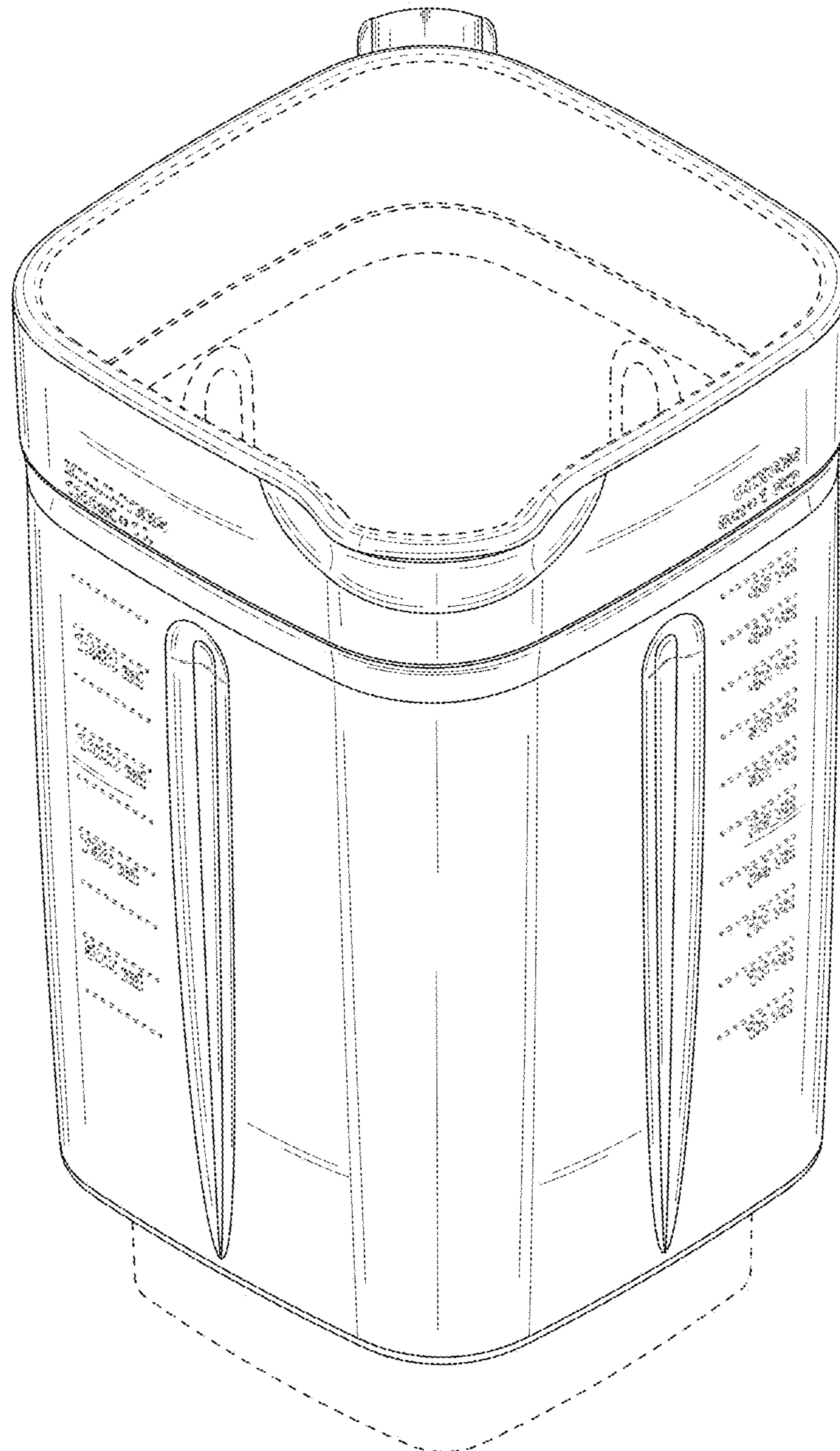


FIG. 3

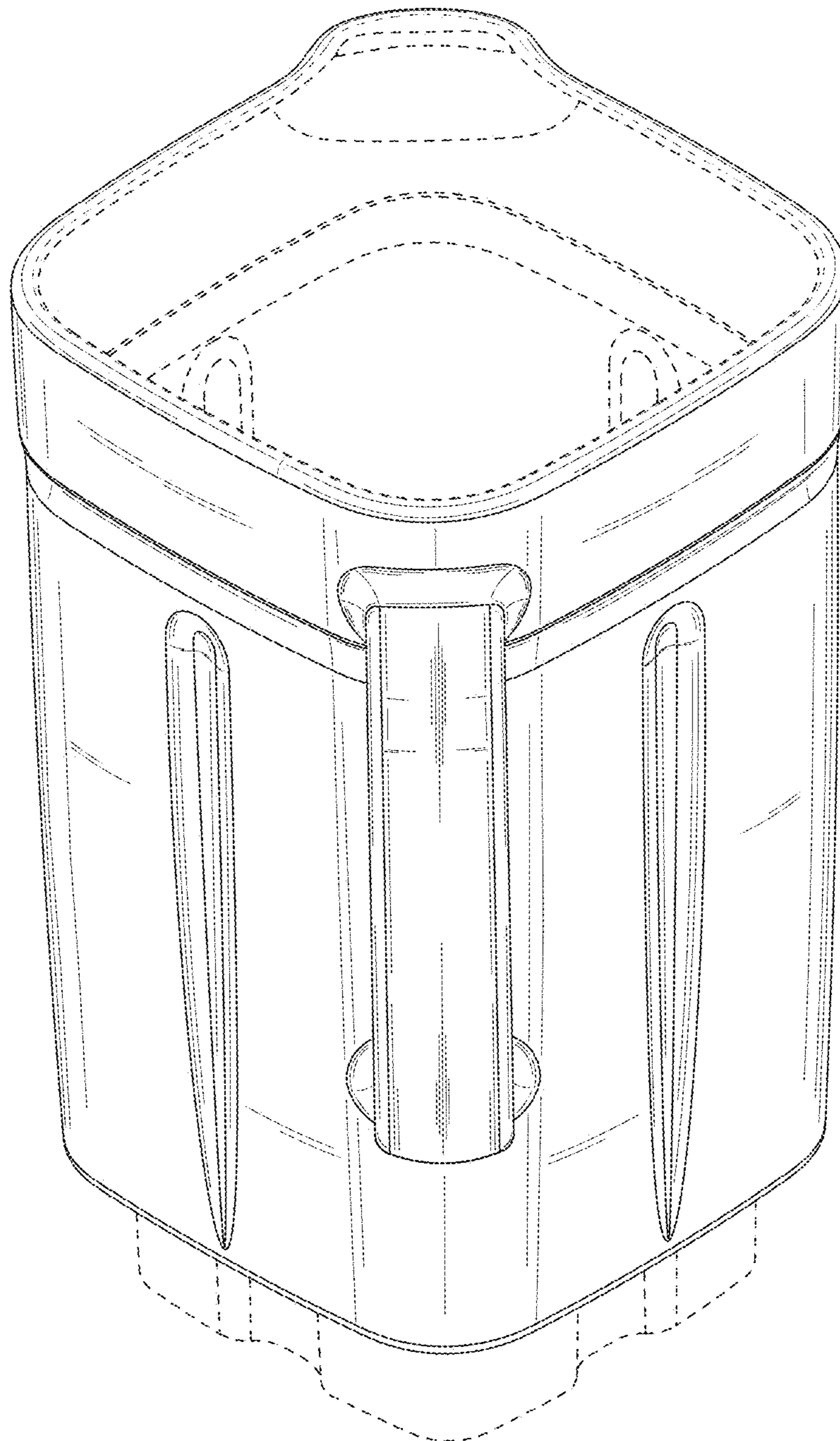


FIG. 4

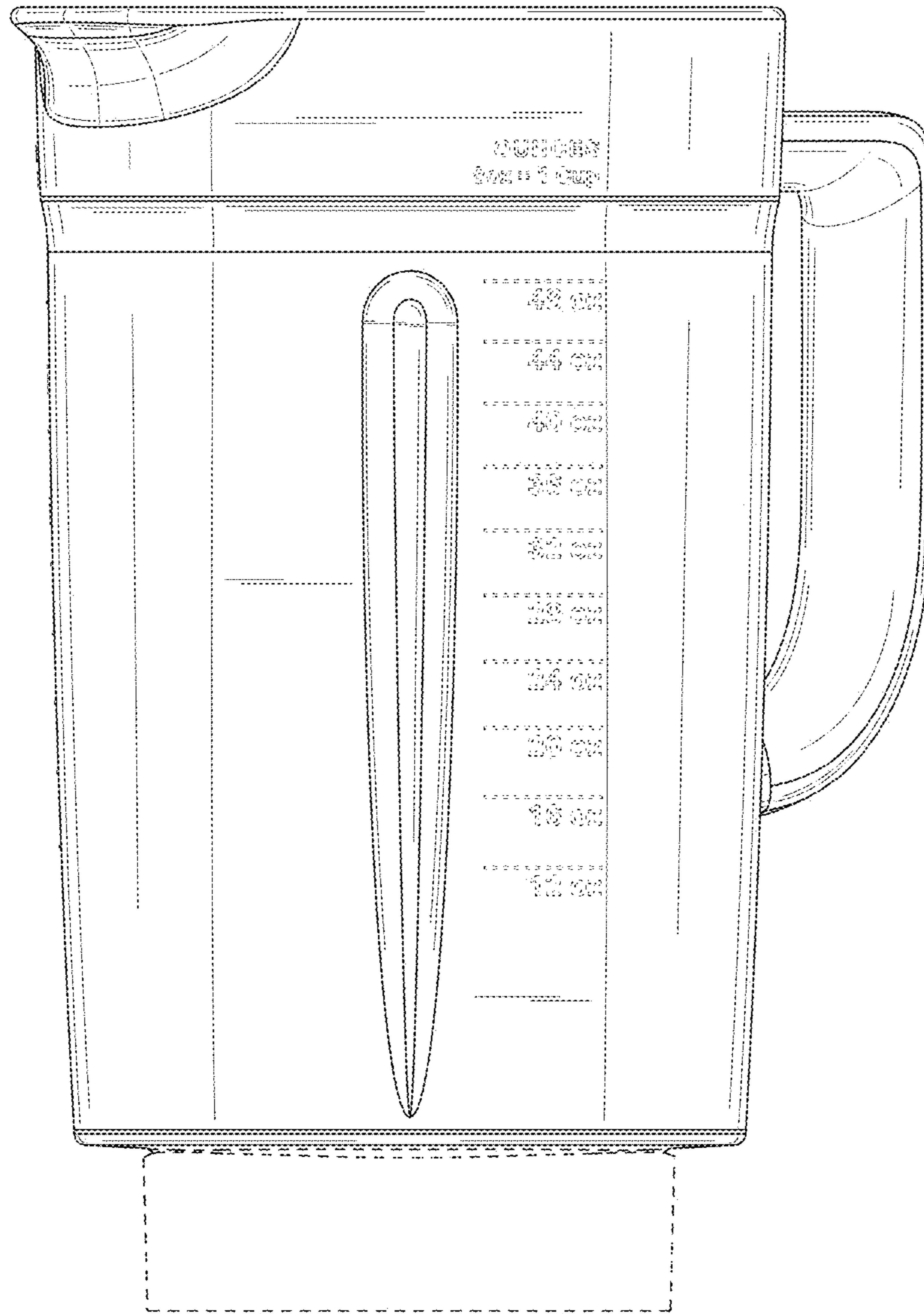


FIG. 5

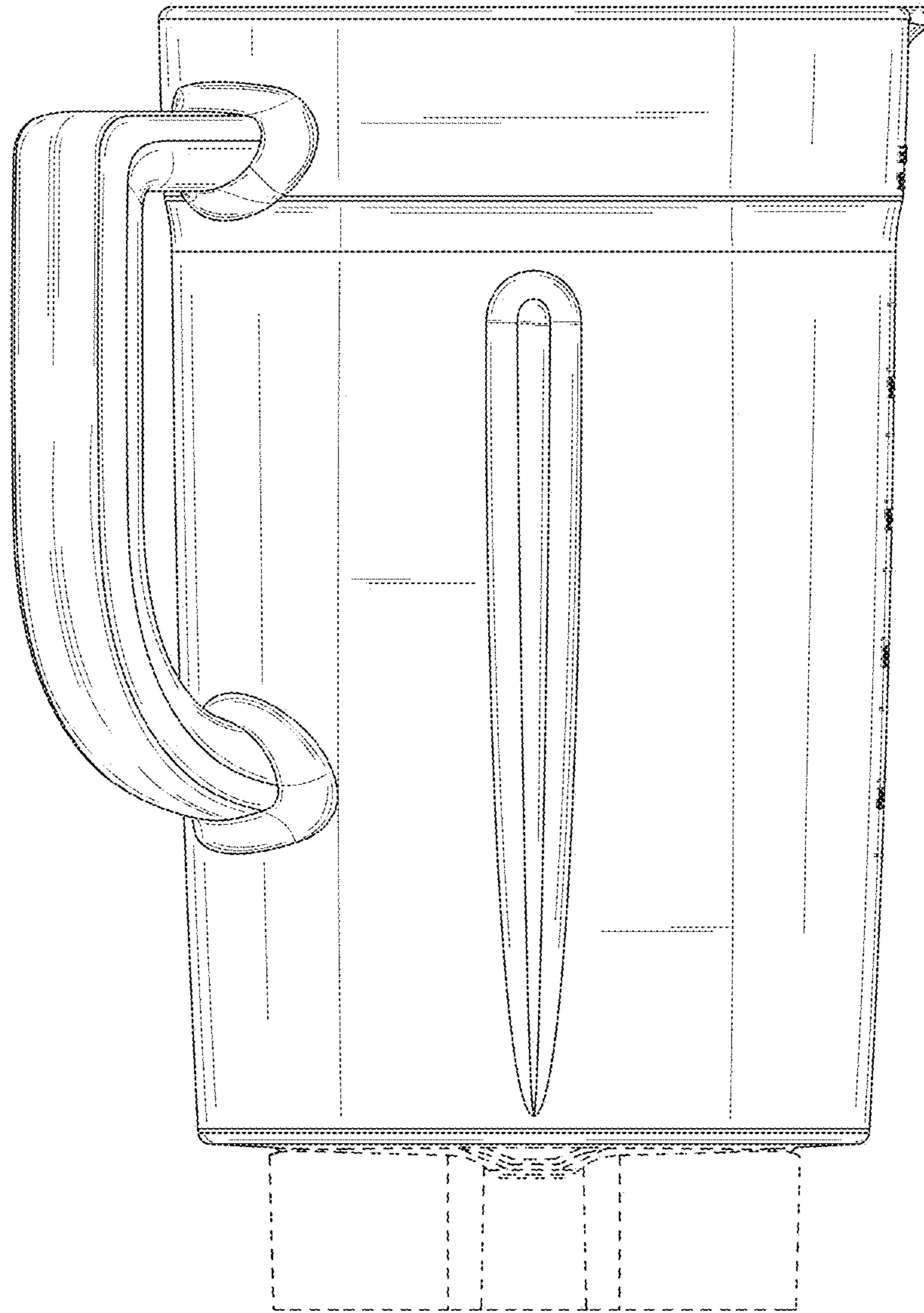


FIG. 6

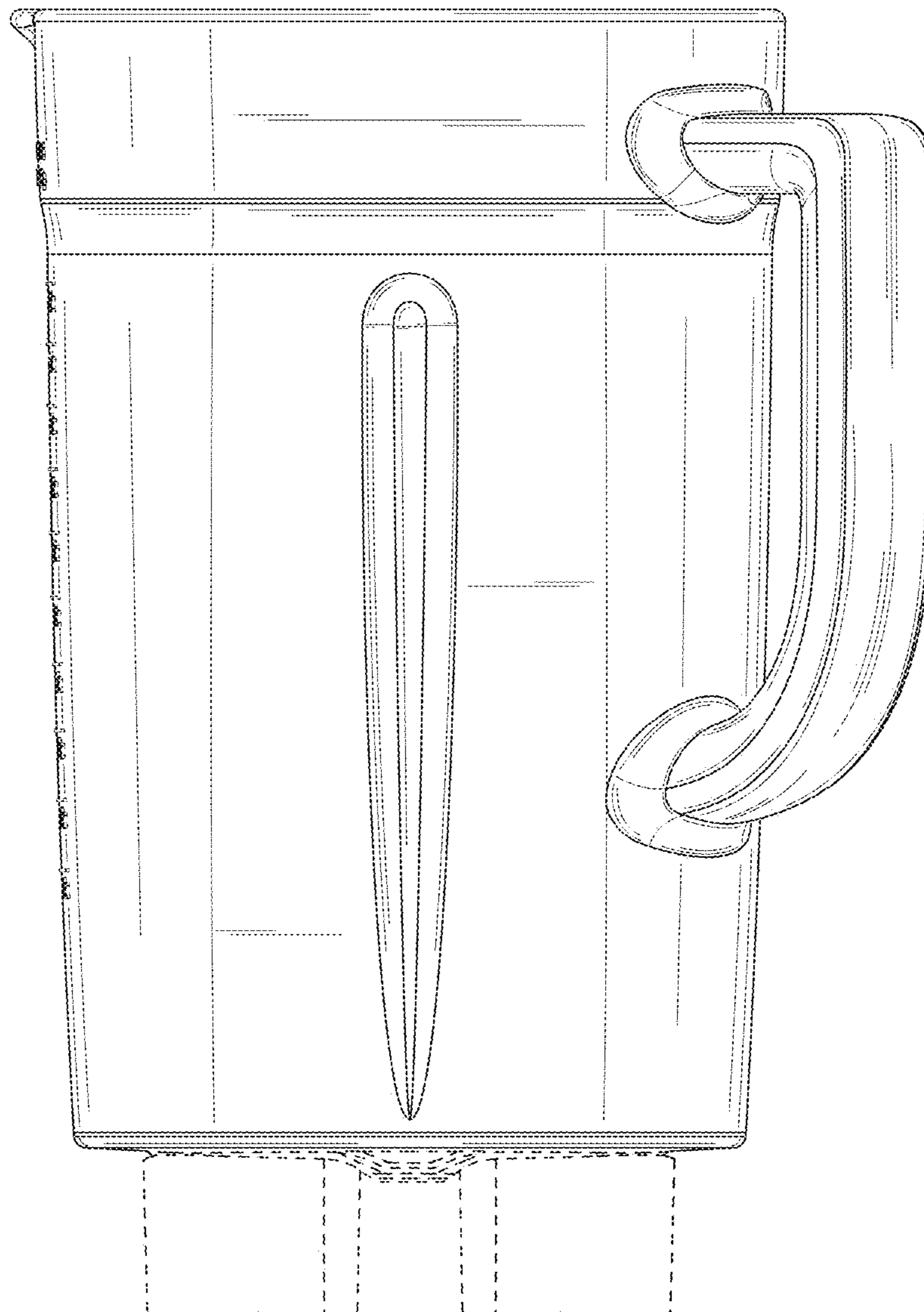


FIG. 7

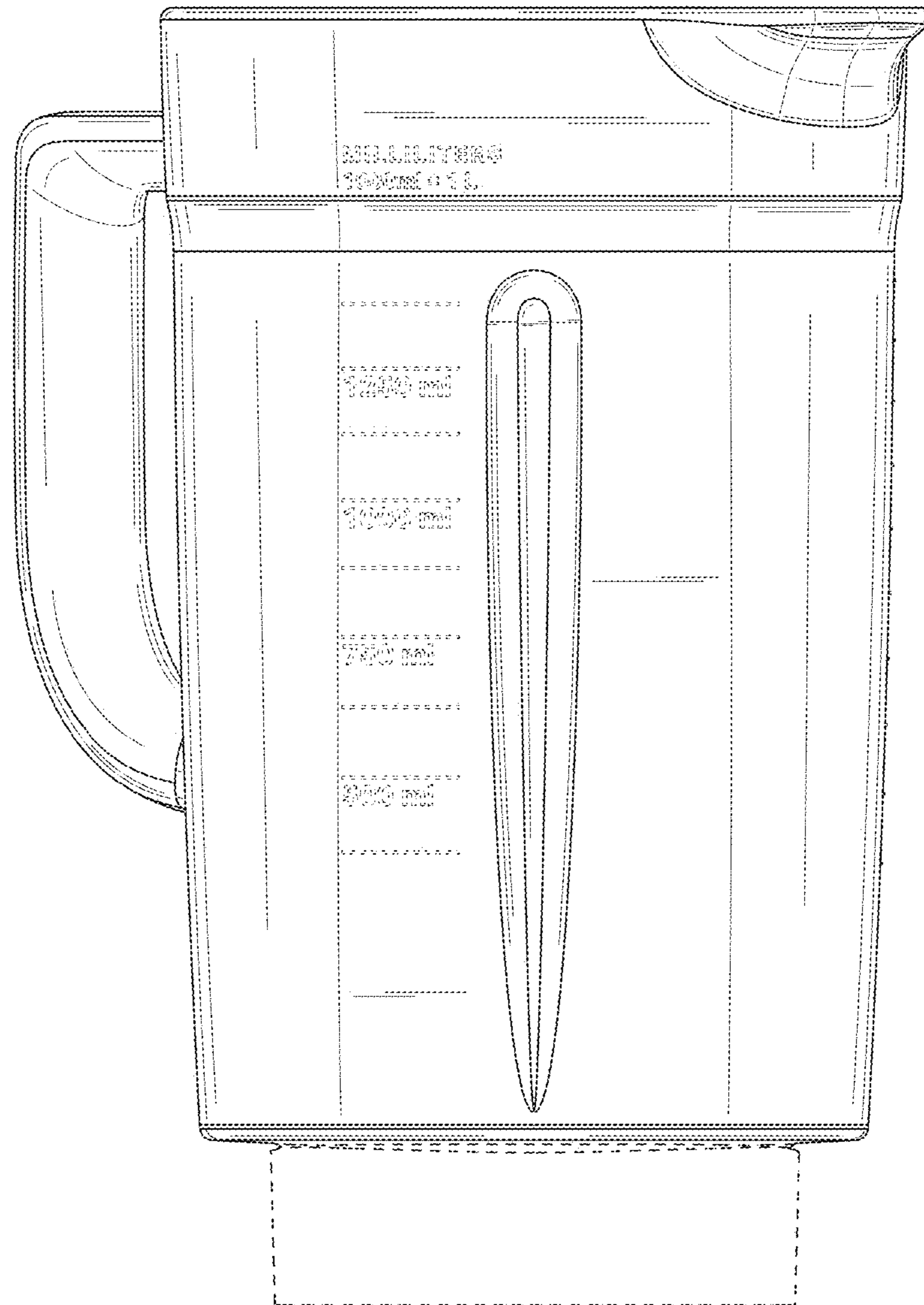


FIG. 8

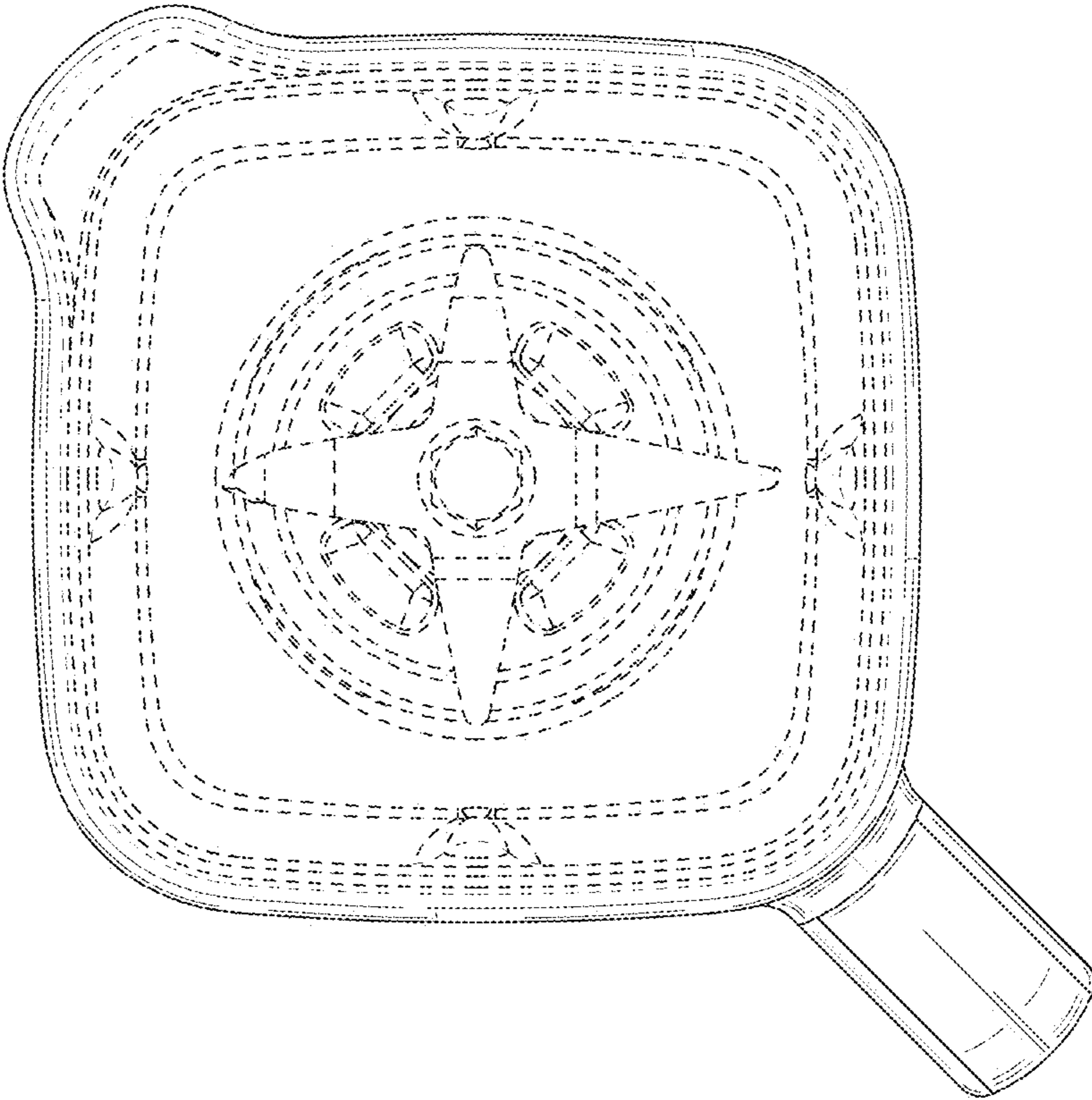


FIG. 9

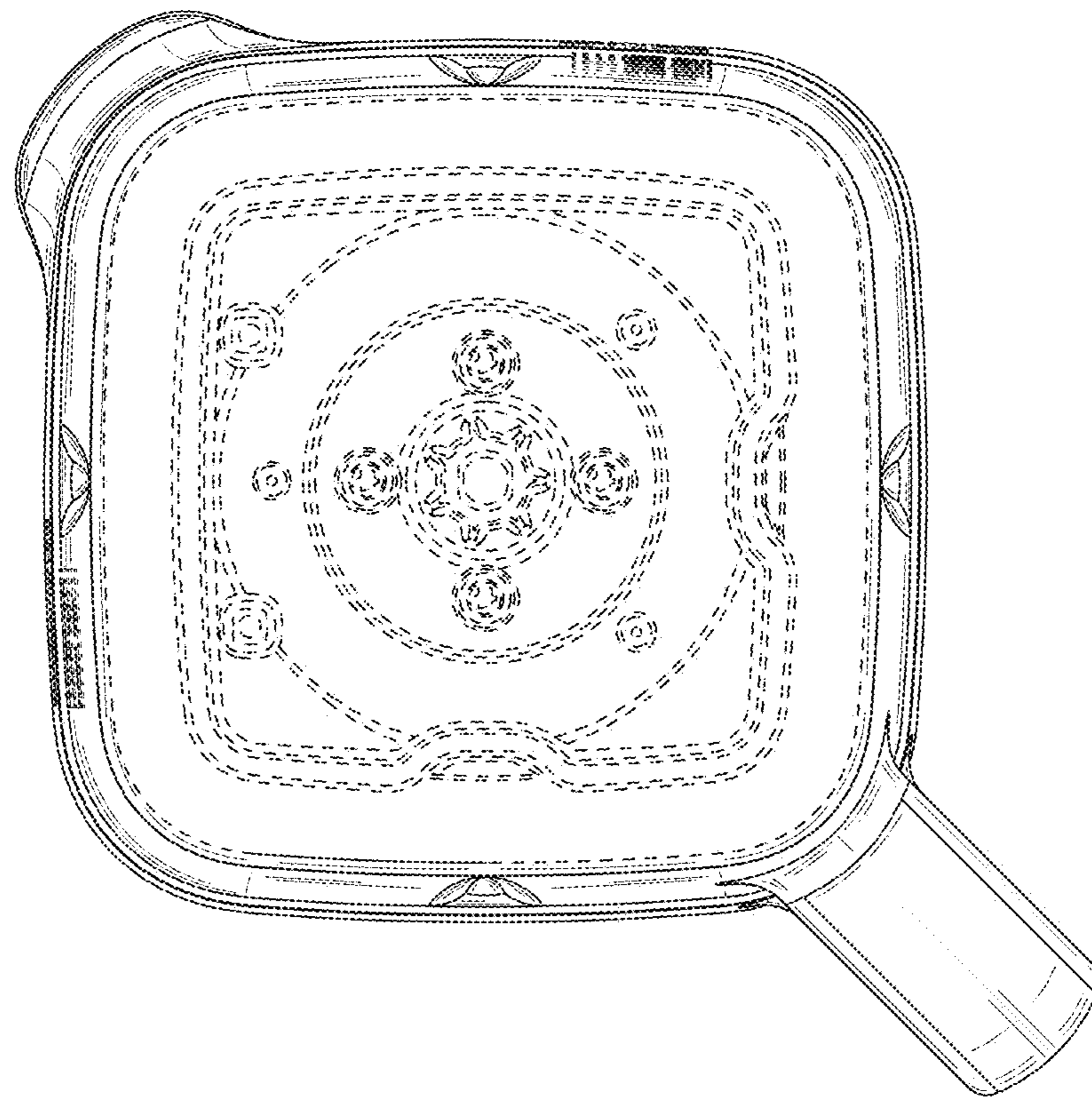


FIG. 10