



US00D920044S

(12) **United States Design Patent**
Chung

(10) **Patent No.:** **US D920,044 S**

(45) **Date of Patent:** **** May 25, 2021**

(54) **SUPPORT STRUCTURE FOR GRILL**

(71) Applicant: **Kiosky Chung**, Taichung (TW)

(72) Inventor: **Kiosky Chung**, Taichung (TW)

(**) Term: **15 Years**

(21) Appl. No.: **29/688,702**

(22) Filed: **Apr. 24, 2019**

(51) **LOC (13) Cl.** **07-02**

(52) **U.S. Cl.**
USPC **D7/403**

(58) **Field of Classification Search**
USPC D3/276, 294-296, 905; D6/336, 553,
D6/656, 663, 691, 698, 699.2, 699.4, 702,
D6/703; D7/332-339, 347, 352, 356,
D7/360, 362-366, 402-409; D23/314,
D23/332, 335, 339, 343, 345, 348, 415
CPC A47B 2003/025; A47B 2003/0821; A47B
2003/0824; A47B 3/02; A47B 3/08; A47B
3/087; A47B 3/091; A47B 33/00; A47B
35/00; A47B 37/04; A47B 47/00; A47B
77/00; A47J 2201/00; A47J 2202/00;
A47J 27/00; A47J 33/00; A47J 36/00;
A47J 37/00; A47J 43/00; A47J 44/00;
F24B 1/00; F24B 3/00; F24B 5/00
See application file for complete search history.

(56) **References Cited**

U.S. PATENT DOCUMENTS

- 3,147,748 A * 9/1964 Frank B62B 1/12
126/9 R
- D515,853 S * 2/2006 Ashby D6/708.16
- D636,628 S * 4/2011 Chung B62B 3/027
D7/334
- 7,958,882 B1 * 6/2011 Sgourides F24C 3/14
126/9 R
- D680,366 S * 4/2013 Chung A47B 31/04
D7/334

- D706,080 S * 6/2014 Pai B25H 1/16
D7/403
- D809,847 S * 2/2018 Liu D7/334
- 2004/0070179 A1 * 4/2004 Miller B62B 3/022
280/651

(Continued)

OTHER PUBLICATIONS

Cuisinart CGG-240 All-Foods Roll-Away Gas Grill, first available 2014, Amazon.com, [online], [site visited Nov. 27, 2020], Available from internet URL: <https://www.amazon.com/Cuisinart-CGG-240-Foods-Roll-Away-Stainless/dp/B006082K4Q?th=1> (Year: 2014).*

(Continued)

Primary Examiner — Mary Ann Calabrese
Assistant Examiner — Natalya M Rapundalo
(74) *Attorney, Agent, or Firm* — Bruce Stone LLP;
Joseph A. Bruce

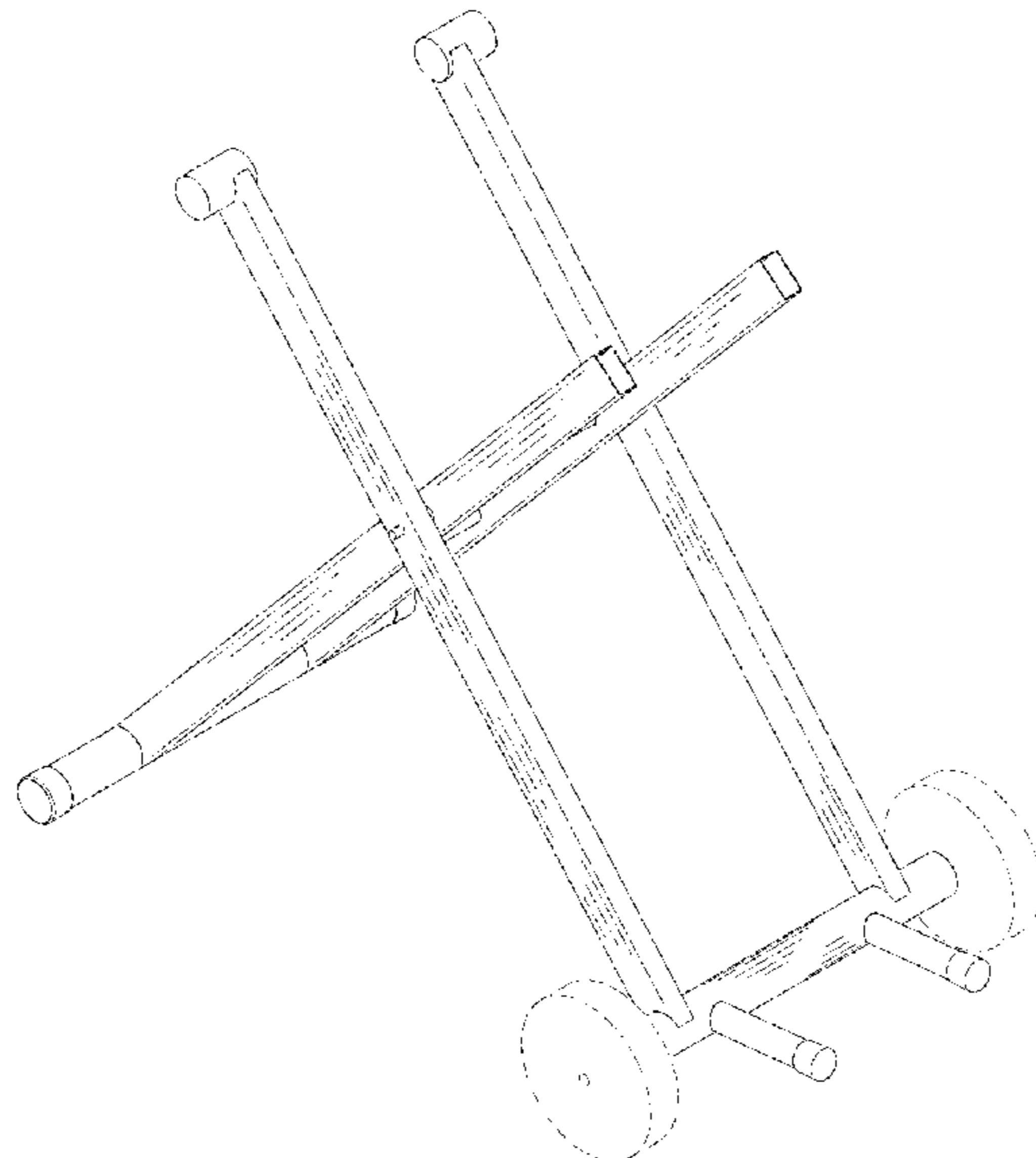
(57) **CLAIM**

The ornamental design for a support structure for grill, as shown and described.

DESCRIPTION

FIG. 1 is a perspective view of a support structure for grill; FIG. 2 is a front elevational view; FIG. 3 is a rear side view; FIG. 4 is a left side view; FIG. 5 is a right side view; FIG. 6 is a top plan view; FIG. 7 is a bottom plan view; FIG. 8 is a perspective view thereof in use; FIG. 9 is a perspective view with the support structure in a collapsed position thereof in use; and, FIG. 10 is another perspective view with the support structure in a collapsed position thereof in use. The broken lines in the drawings represent environmental subject matter that form no part of the claimed design.

1 Claim, 10 Drawing Sheets



(56)

References Cited

U.S. PATENT DOCUMENTS

2006/0075936 A1* 4/2006 Shelton B01D 46/02
108/50.13
2007/0084354 A1* 4/2007 Ming A47J 37/0704
99/450
2007/0089649 A1* 4/2007 Chen F16M 3/00
108/118
2007/0290486 A1* 12/2007 Chung A47J 37/0704
280/645
2008/0115701 A1* 5/2008 Sugiura B25H 1/16
108/132
2009/0320822 A1* 12/2009 Yeh A47J 37/0763
126/25 R
2010/0229767 A1* 9/2010 Chiu A47B 31/04
108/115
2011/0304125 A1* 12/2011 Ravnborg B62B 3/027
280/651
2012/0174907 A1* 7/2012 Yeh A47J 37/0786
126/25 R
2012/0298097 A1* 11/2012 Chung A47J 37/0786
126/304 A
2015/0108296 A1* 4/2015 Van Dyne A47B 3/02
248/164
2018/0154511 A1* 6/2018 Chou B25H 1/0042

OTHER PUBLICATIONS

Design No. 002474460-0001, Jun. 2, 2014—European Union Intellectual Property Office (EUIPO) Publication Date—Jul. 21, 2014 Owner—Elegant Union Industrial Co Ltd, Designer—(Designer Name) DesignView, available at www.tmdn.org/tmdsview-web/welcome (Year: 2014).*

Coleman RoadTrip 285 Portable Stand-Up Propane Grill, first available May 3, 2018, Amazon.com, [online], [site visited Nov. 27, 2020], Available from internet URL: <https://www.amazon.com/Coleman-Roadtrip-Portable-Stand-Up-Propane/dp/B07CVJ84NX> (Year: 2018).*

Design No. 304564158, Apr. 3, 2018—China National Intellectual Property Administration (CNIPA) Publication Date—Apr. 3, 2018 Owner—Ningbo Jiuyi Electric Appliance Co Ltd, Designer—Peng Zaili WIPO Global Design Database, available at <https://www3.wipo.int/designdb/en/> (Year: 2018).*

Blue Rhino Razor Griddle, first available Dec. 26, 2019, Lowes.com, [online], [site visited Nov. 27, 2020], Available from internet URL: <https://www.lowes.com/pd/Blue-Rhino-Razor-Griddle-Black-and-Silver-Powder-Coated-2-Burner-Liquid-Propane-Gas-Grill/1001568718> (Year: 2019).*

Outdoor Portable LP Gas Griddle Model No. GGC2030L, first available Dec. 26, 2019, Lowes.com, [online], [site visited Nov. 27, 2020], Available from internet URL: <https://bluerhino.com/products/grills/razor/ggc2030l> (Year: 2019).*

Blue Rhino Razor Griddle, first available May 28, 2020, K-Bid Online Auctions, [online], [site visited Nov. 30, 2020], Available from internet URL: <https://www.k-bid.com/auction/33014/item/318> (Year: 2020).*

Razor Portable LP Gas Griddle, first available Feb. 11, 2020, Bluerhino.com, [online], [site visited Nov. 30, 2020], Available from internet URL: <https://bluerhino.com/products/grills/razor/ggc2030l> (Year: 2020).*

Design No. 008034086-0001, Jul. 8, 2020—European Union Intellectual Property Office (EUIPO) Publication Date—Jul. 23, 2020 Owner—Weber-Stephen Products LLC, Designer—Derek Bennion et. al. DesignView, available at www.tmdn.org/tmdsview-web/welcome (Year: 2020).*

Design No. 008034607-0001, Jul. 8, 2020—European Union Intellectual Property Office (EUIPO) Publication Date—Jul. 23, 2020 Owner—Weber-Stephen Products LLC, Designer—Derek Bennion et. al. DesignView, available at www.tmdn.org/tmdsview-web/welcome (Year: 2020).*

Design No. 306044744, Apr. 16, 2020—China National Intellectual Property Administration (CNIPA) Publication Date—Sep. 11, 2020 Owner & Designer—Xu Yehua WIPO Global Design Database, available at <https://www3.wipo.int/designdb/en/> (Year: 2020).*

Gray Pantera 1—Burner Portable Gas Grill (Part No. 42235), Wayfair.com, [online], [site visited Dec. 1, 2020], Available from internet URL: <https://www.wayfair.com/outdoor/pdx/landmann-pantera-1-burner-portable-gas-grill-ldm1303.html> (Year: 2020).*

* cited by examiner

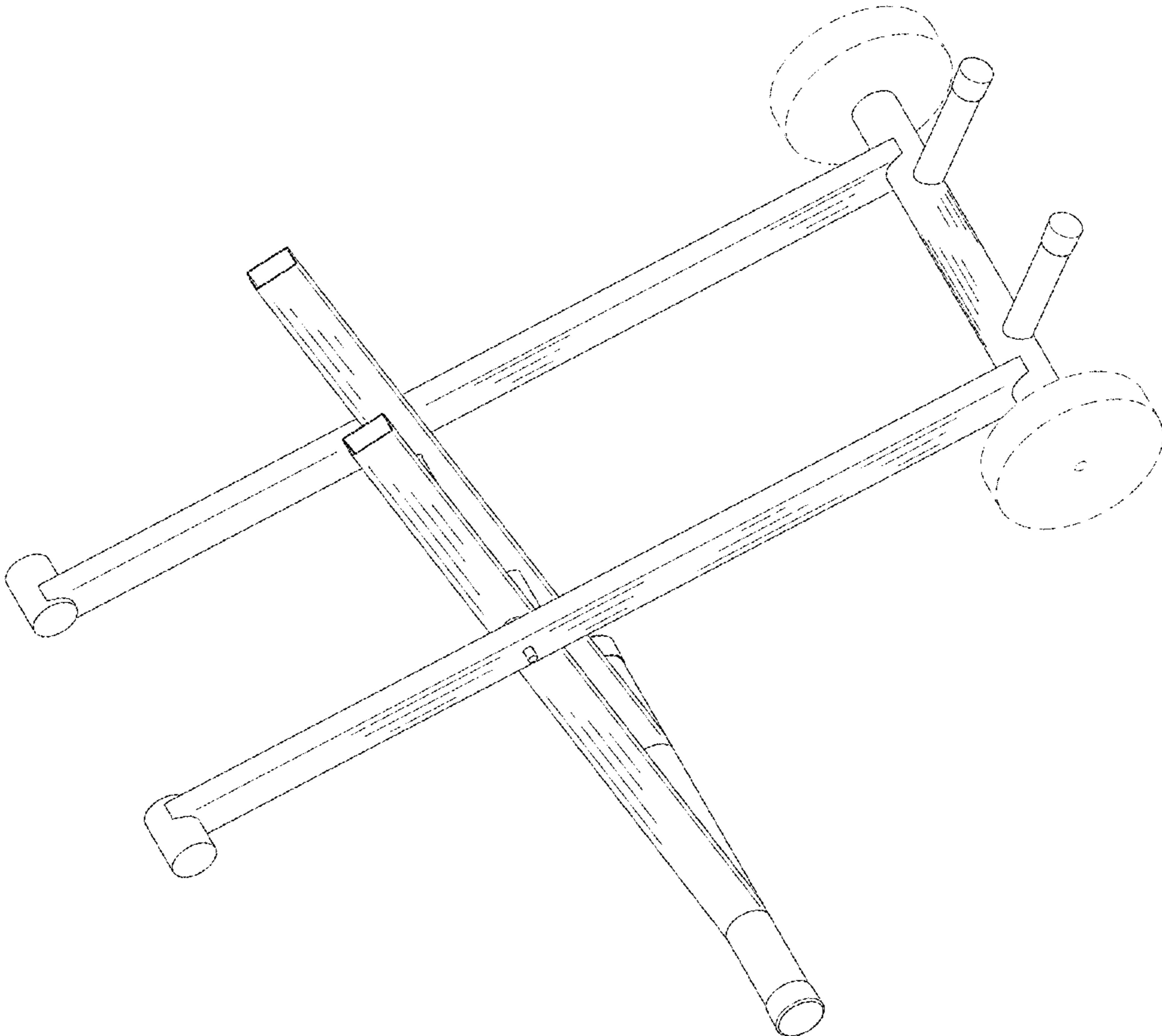


FIG. 1

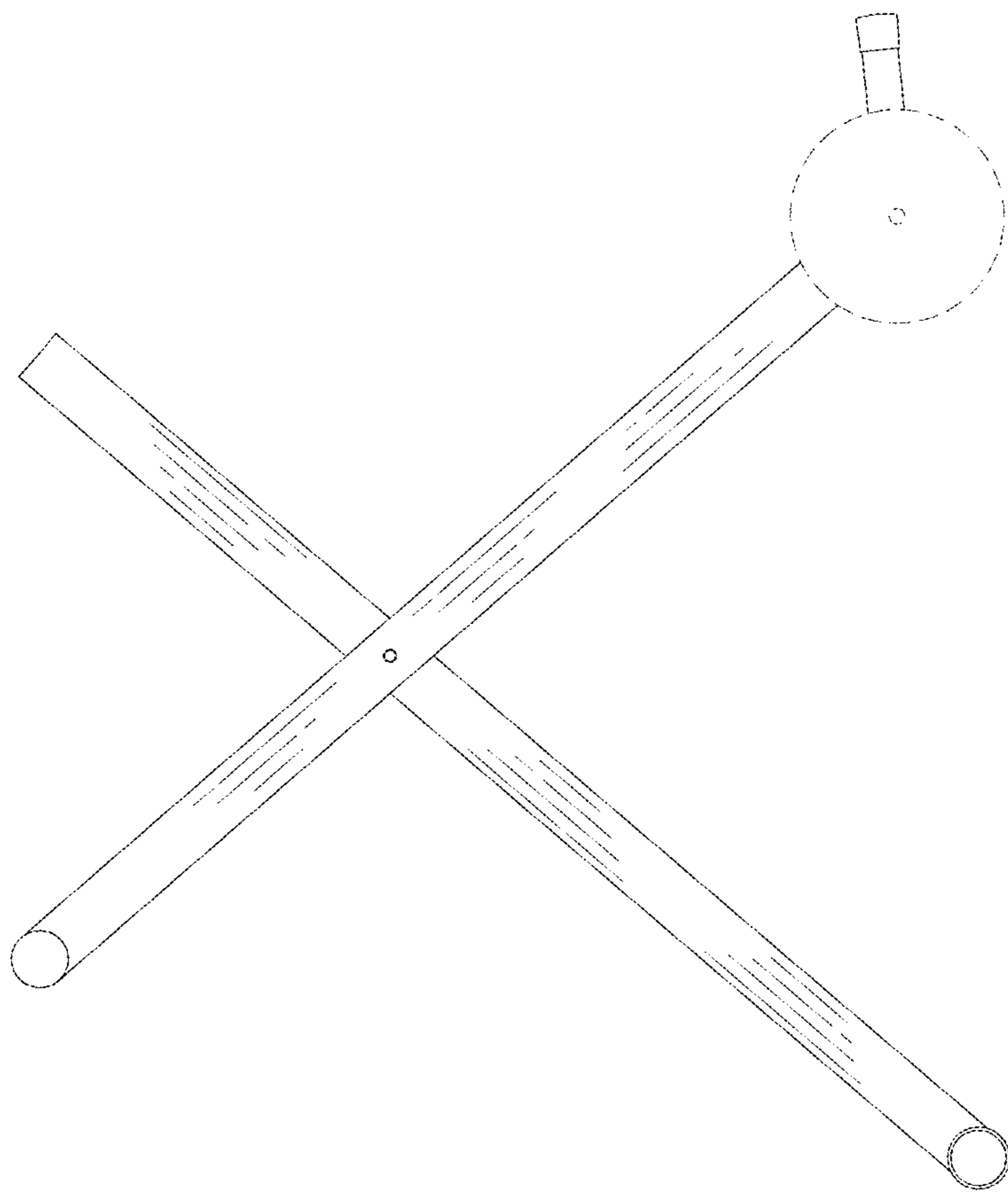


FIG. 2

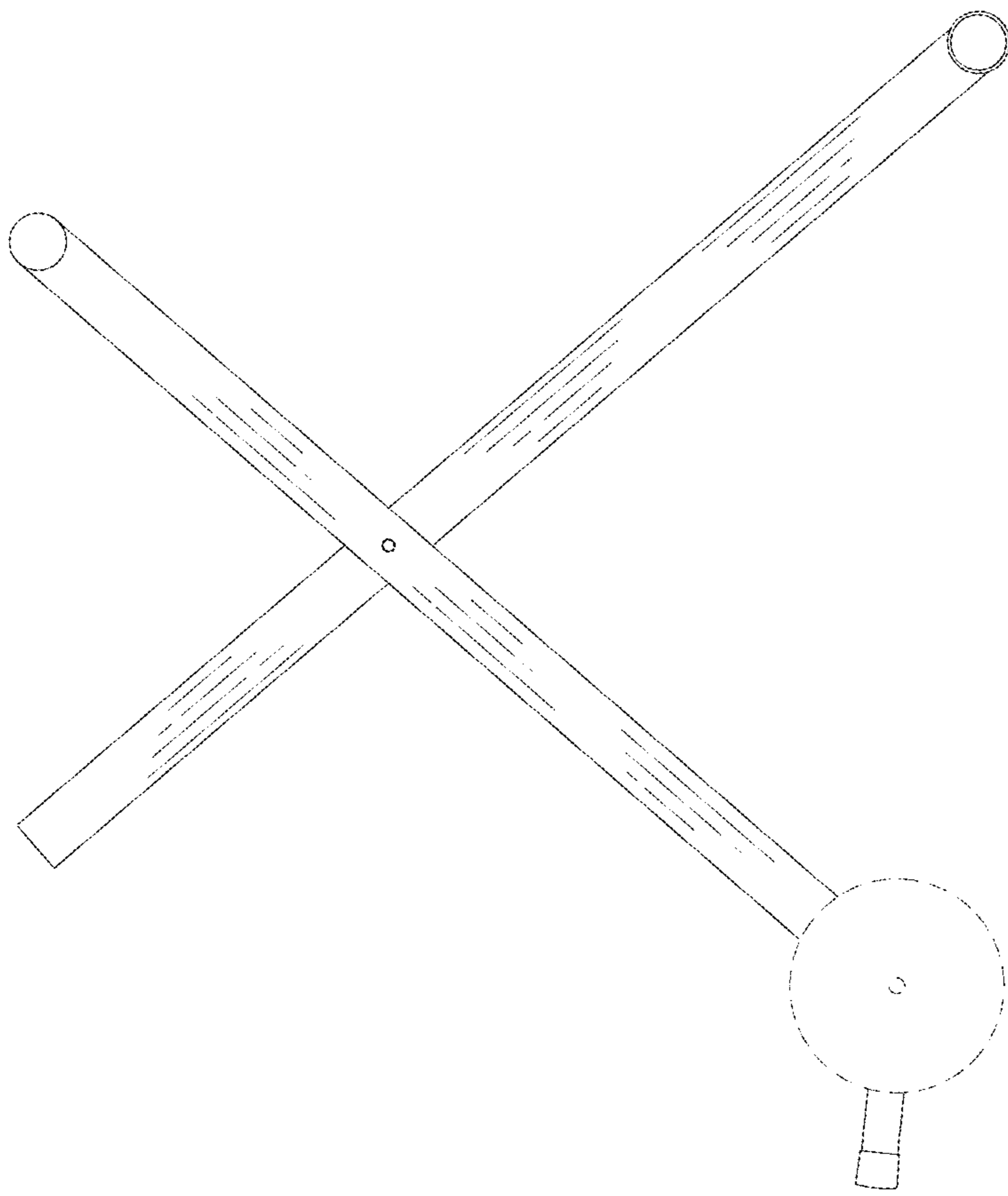


FIG. 3

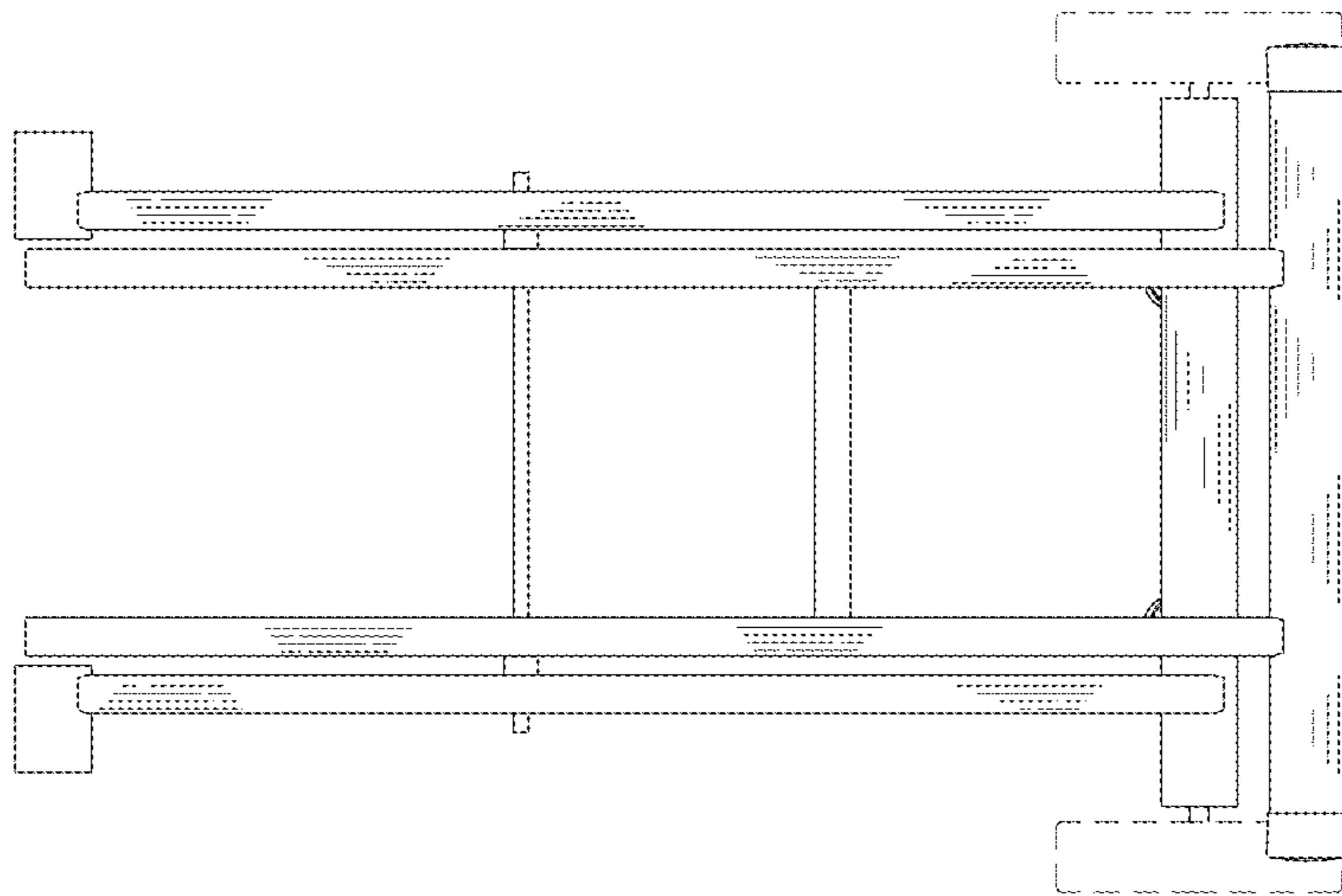


FIG. 4

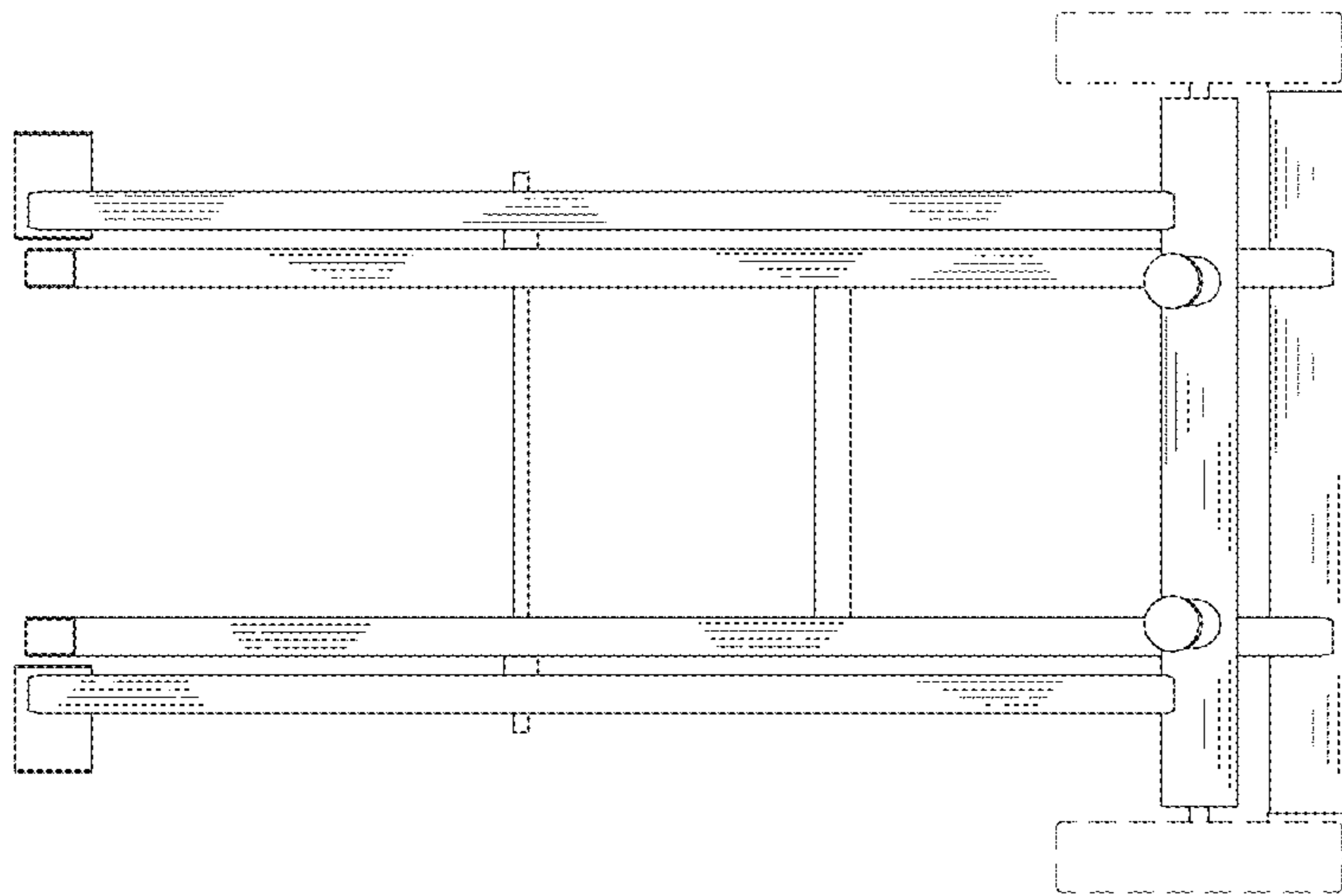


FIG. 5

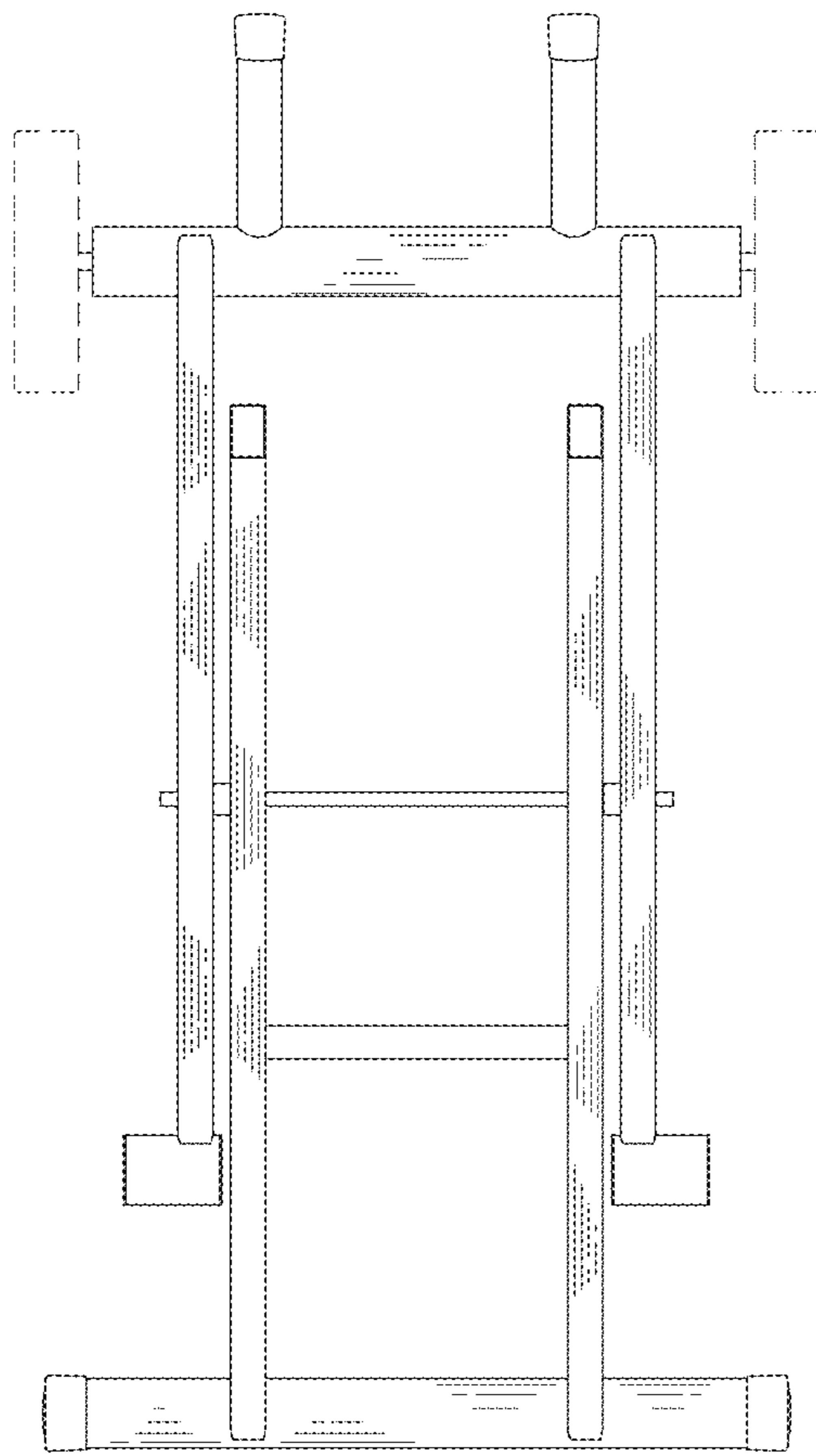


FIG. 6

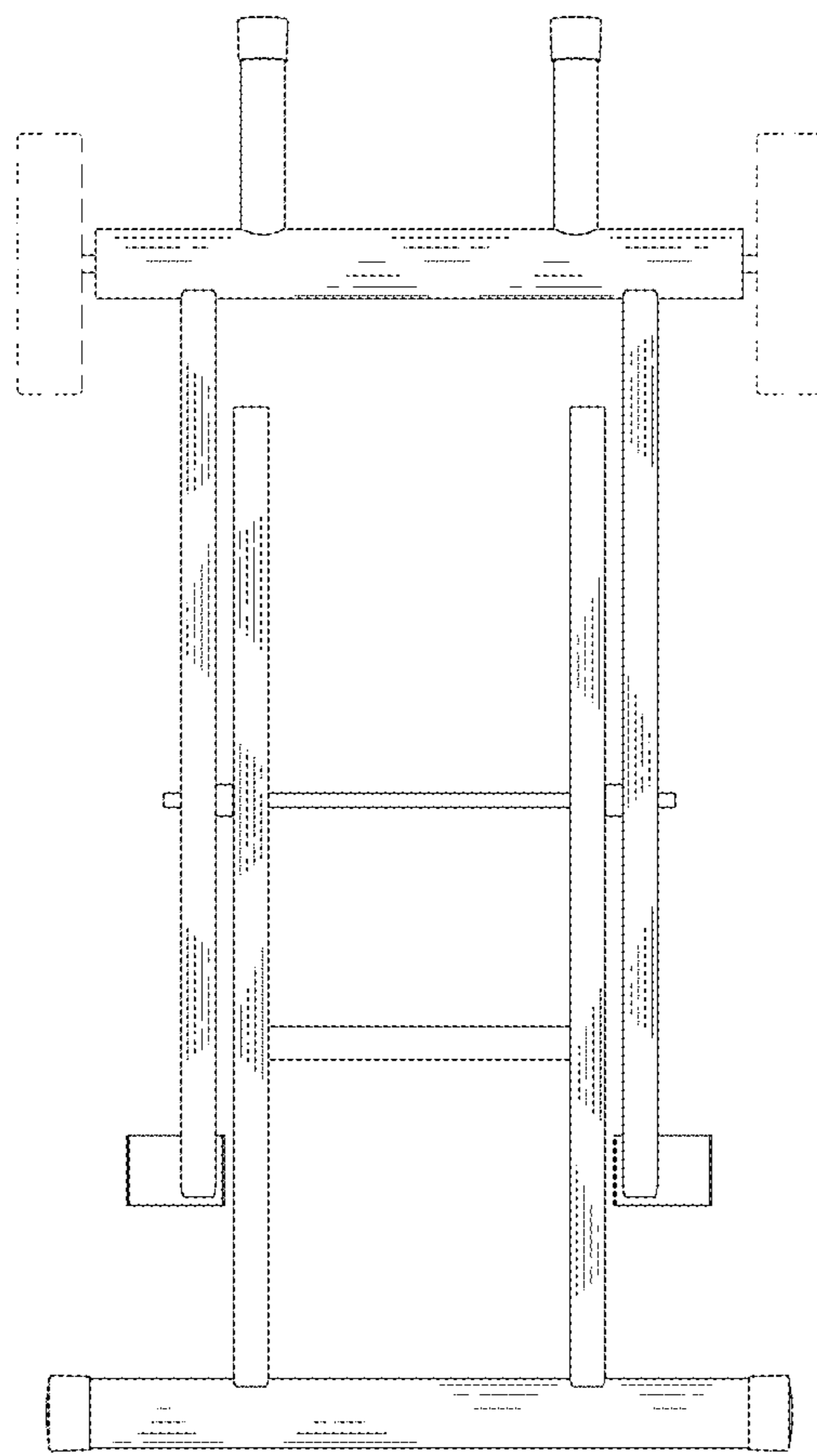


FIG. 7

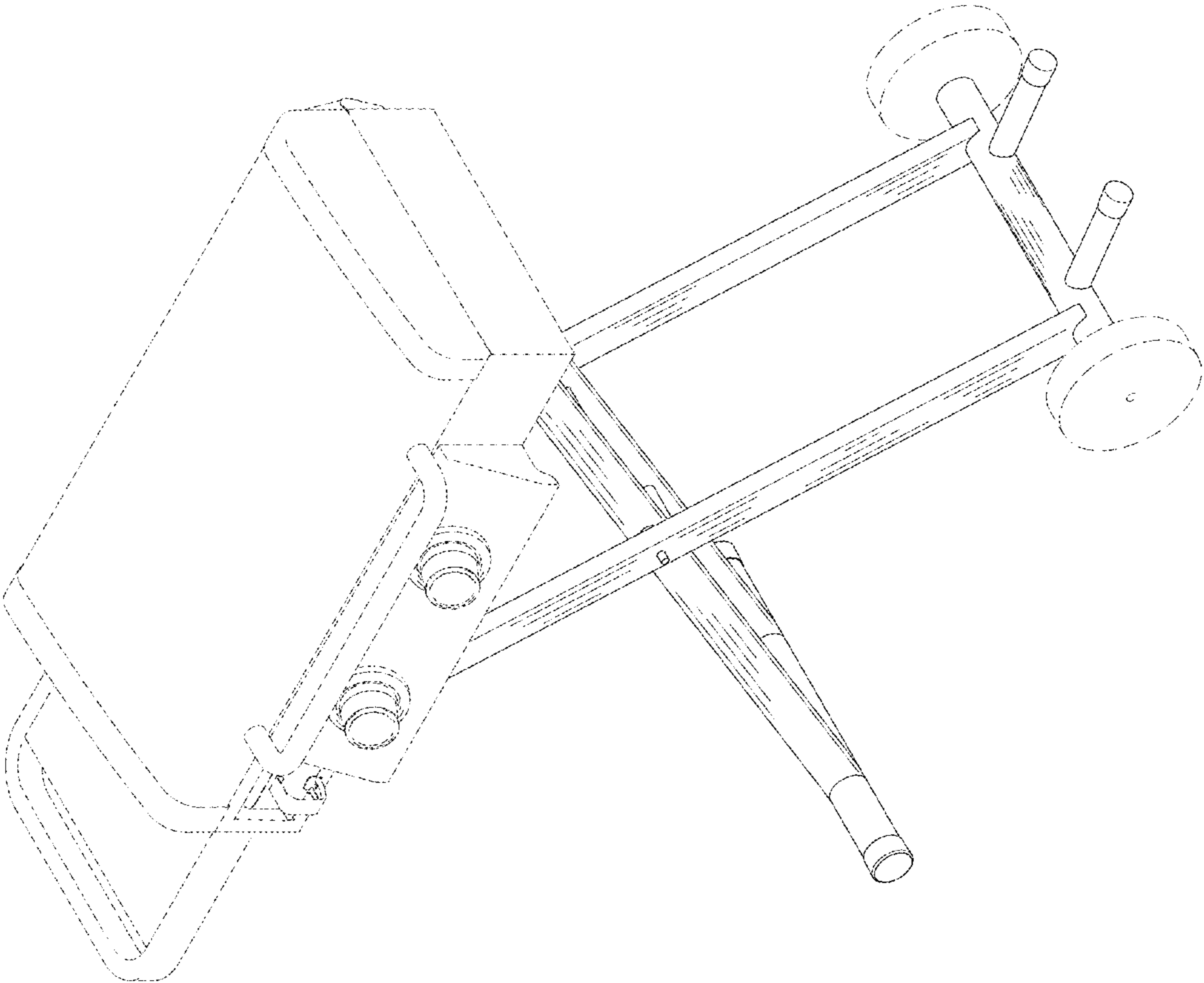


FIG. 8

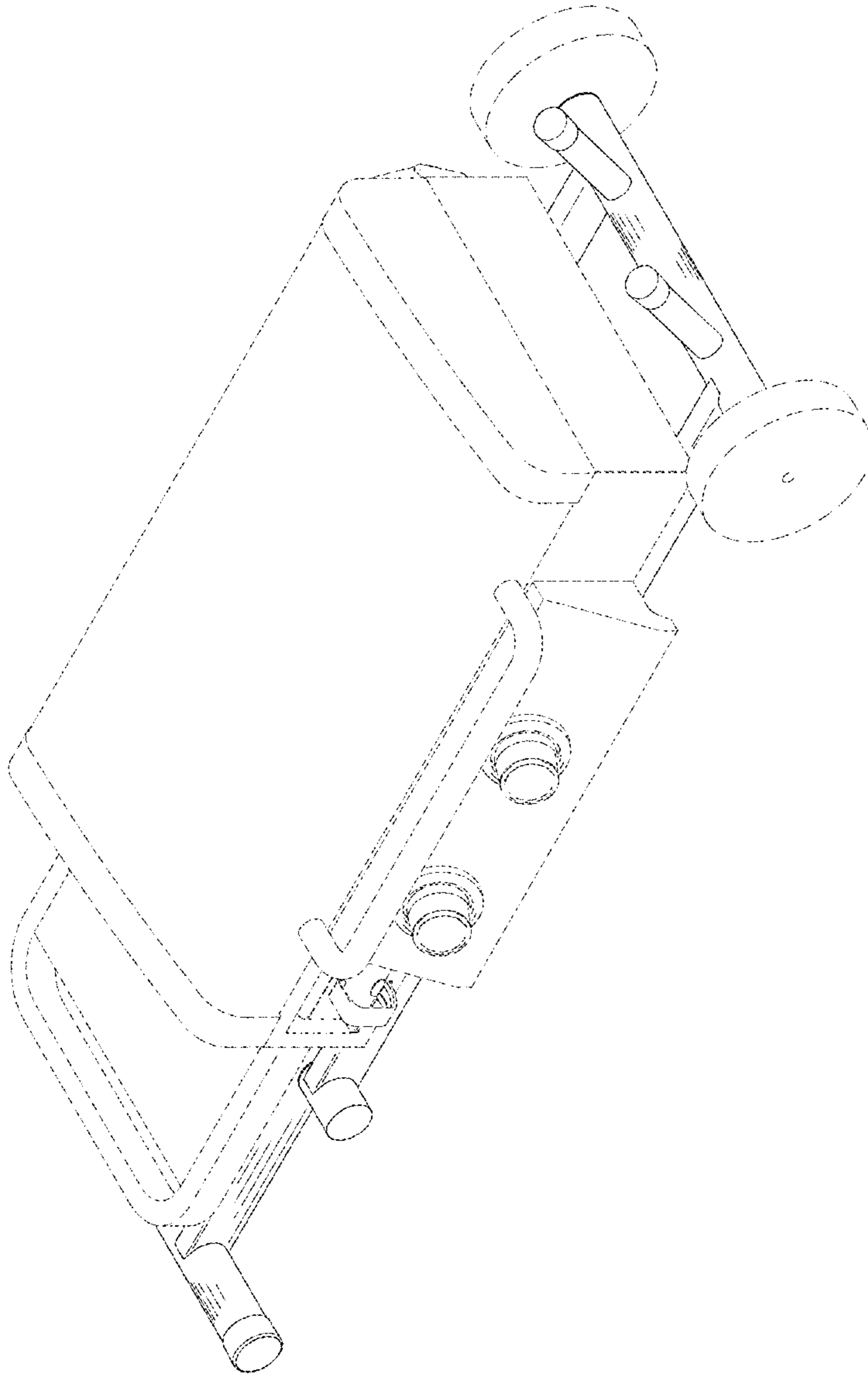


FIG. 9

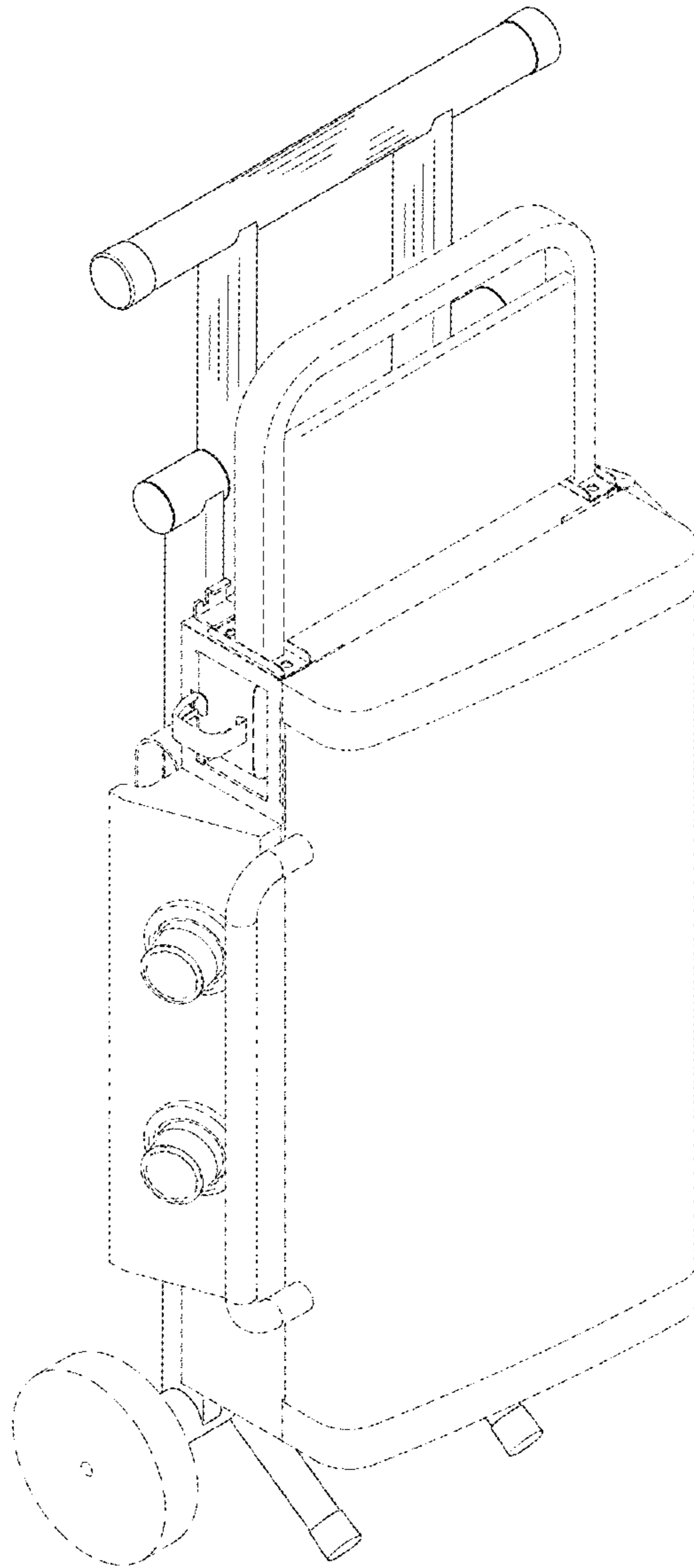


FIG. 10