



US00D920043S

(12) **United States Design Patent**  
**Forkan**

(10) **Patent No.:** **US D920,043 S**

(45) **Date of Patent:** **\*\* May 25, 2021**

(54) **FOLDING CUTLERY ARTICLE**

(71) Applicant: **Conor Forkan**, Toronto (CA)

(72) Inventor: **Conor Forkan**, Toronto (CA)

(\*\*) Term: **15 Years**

(21) Appl. No.: **29/709,685**

(22) Filed: **Oct. 16, 2019**

(51) **LOC (13) Cl.** ..... **07-03**

(52) **U.S. Cl.**

USPC ..... **D7/401.2**; D7/649

(58) **Field of Classification Search**

USPC ..... D7/393-395, 401, 401.2, 642-652, 693,  
D7/695-696; D8/93, 97-100, 107, 300,  
D8/321; D22/117-118

CPC ..... A01B 1/20; A01B 1/22; A22C 25/006;  
A47G 21/06; A47G 21/065; A61B  
17/3211; A61B 17/3213; B21D 53/64;  
B25G 3/36; B26B 1/00; B26B 1/02;  
B26B 1/046; B26B 1/048; B26B 1/08;  
B26B 1/10; B26B 3/00; B26B 3/02;  
B26B 3/03; B26B 3/04; B26B 3/06;  
B26B 5/00; B26B 5/001; B26B 5/007;  
B26B 7/00; B26B 7/005; B26B 9/00;  
B26B 9/02; B26B 11/00; B26B 11/006;  
B26B 17/00; B26B 17/006; B26B 29/02

See application file for complete search history.

(56) **References Cited**

**U.S. PATENT DOCUMENTS**

1,365,487 A \* 1/1921 Hallvarson ..... B26B 1/02  
30/155  
4,670,984 A \* 6/1987 Rickard ..... B26B 1/046  
30/161

D411,080 S \* 6/1999 Santini ..... 30/142  
D614,933 S \* 5/2010 Freeman ..... D8/107  
D730,710 S \* 6/2015 Lau ..... D8/100  
D783,382 S \* 4/2017 Lebeau ..... D8/99  
D810,540 S \* 2/2018 Marfione ..... D8/99  
D815,897 S \* 4/2018 Insler ..... D7/401.2  
D853,636 S \* 7/2019 Jourdan ..... D27/195  
D883,756 S \* 5/2020 Sydes ..... D7/649  
D884,439 S \* 5/2020 Klipshtein ..... D7/649  
2013/0000129 A1 \* 1/2013 Huang ..... B26B 1/048  
30/161

\* cited by examiner

*Primary Examiner* — Ricky Pham

(74) *Attorney, Agent, or Firm* — Millman IP Inc.

(57) **CLAIM**

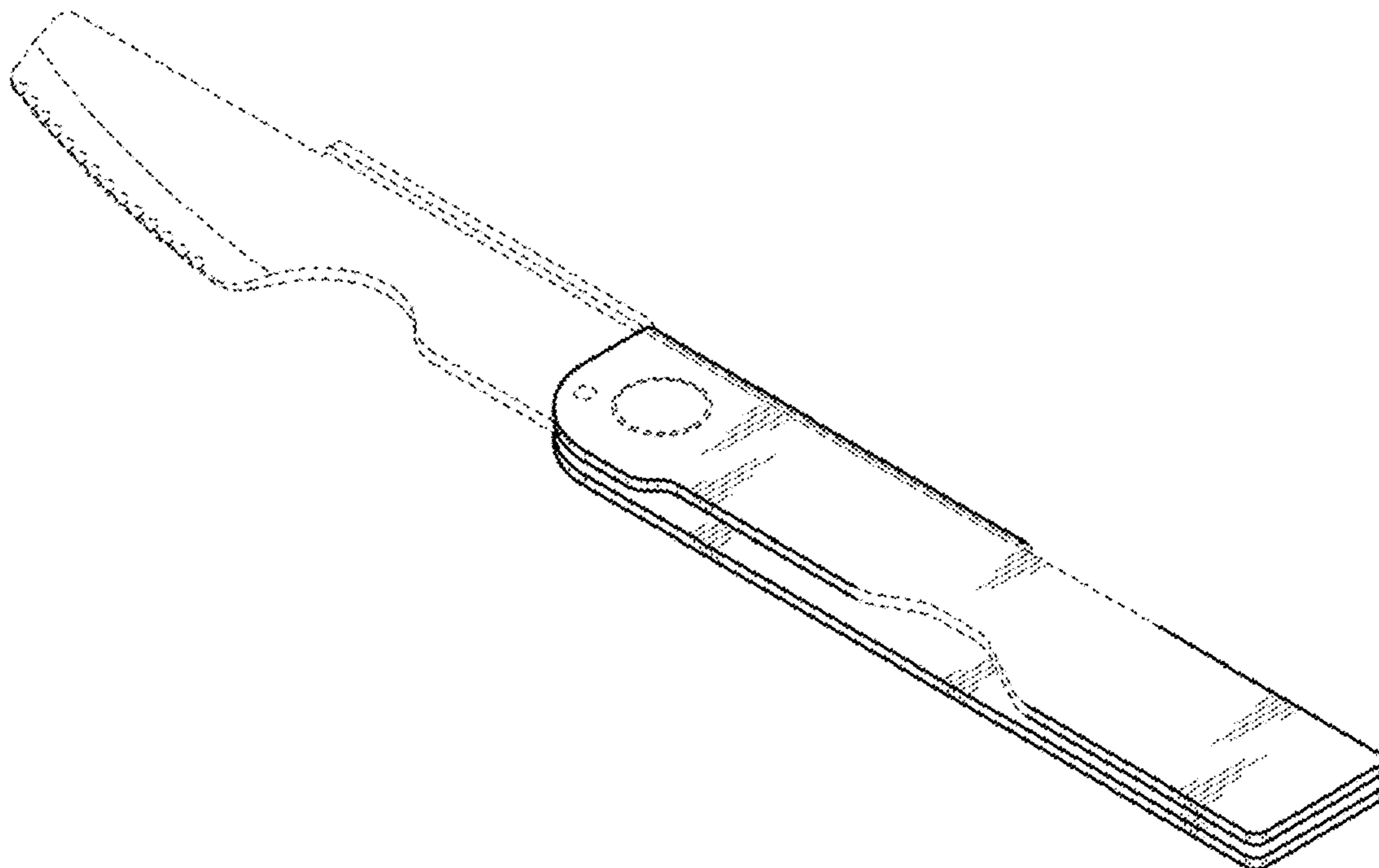
The ornamental design for a folding cutlery article, as shown and described.

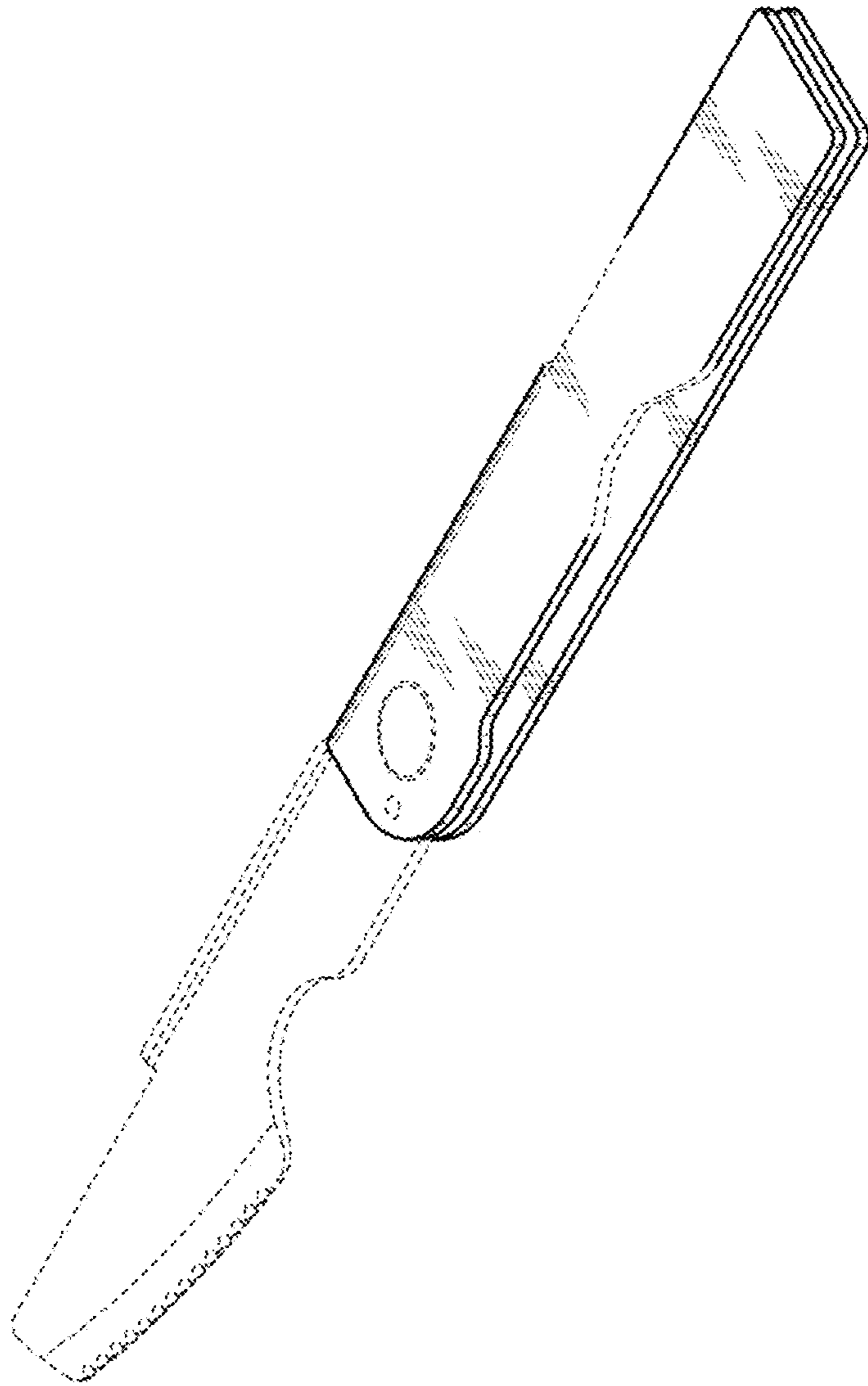
**DESCRIPTION**

FIG. 1 is a perspective view from above, to the front and to the right side of a new design for a folding cutlery article; FIG. 2 is a top view thereof; FIG. 3 is a bottom view thereof; FIG. 4 is a rear side view thereof; FIG. 5 is a front side view thereof; FIG. 6 is a left view thereof; and, FIG. 7 is a right view thereof.

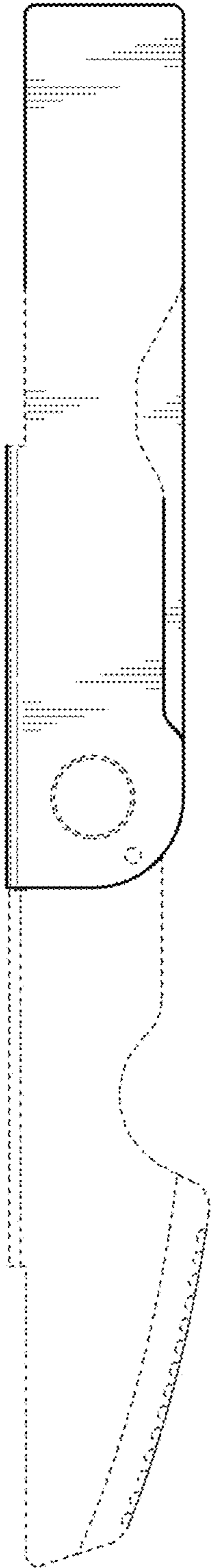
The broken lines are for the purpose of illustrating portions of the article that form no part of the claimed design.

**1 Claim, 3 Drawing Sheets**

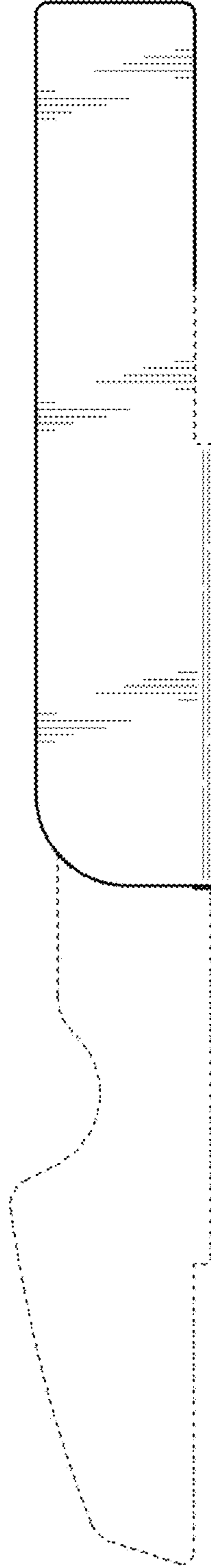




**FIG. 1**



**FIG. 2**



**FIG. 3**

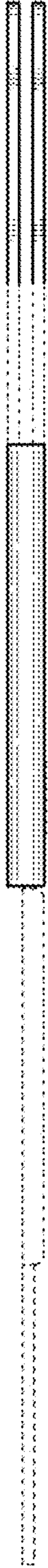


FIG. 4



FIG. 5



FIG. 6

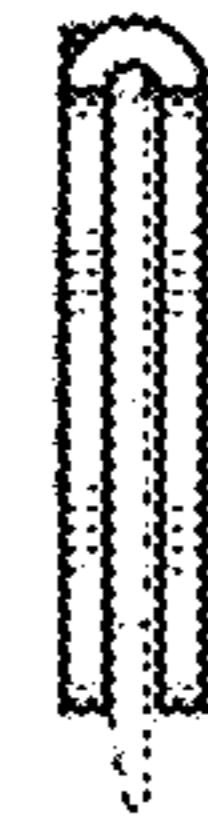


FIG. 7