



US00D920041S

(12) **United States Design Patent**
Chen et al.

(10) **Patent No.:** **US D920,041 S**

(45) **Date of Patent:** **** May 25, 2021**

(54) **BOTTLE CAP**

(71) Applicants: **ZHEJIANG HONGLING
INDUSTRY AND TRADE CO., LTD.**,
Jinhua (CN); **FUJIAN SPD
E-COMMERCE CO., LTD.**, Xiamen
(CN)

(72) Inventors: **Xiaolei Chen**, Hefei (CN); **Xiaoqiang
Lin**, Xiamen (CN)

(73) Assignees: **ZHEJIANG HONGLING
INDUSTRY AND TRADE CO., LTD.**,
Jinhua (CN); **FUJIAN SPD
E-COMMERCE CO., LTD.**, Xiamen
(CN)

(**) Term: **15 Years**

(21) Appl. No.: **29/738,911**

(22) Filed: **Jun. 21, 2020**

(51) **LOC (13) Cl.** **07-99**

(52) **U.S. Cl.**
USPC **D7/396.2**

(58) **Field of Classification Search**
USPC D7/509, 510, 511, 624.1, 387, 391, 392,
D7/392.1, 393, 396.1, 396.2; D9/434,
D9/435, 439, 445, 447, 448, 449, 451,
D9/454, 438, 440, 443, 452, 453, 686,
D9/723, 724, 436; D23/259, 260, 261,
D23/209, 210; D24/162, 127
CPC B65D 43/265; B65D 17/506; B65D 47/04;
B65D 47/06; B65D 47/08; B65D 47/20;
B65D 1/00; B65D 1/02; B65D 1/10;
B65D 1/46; B65D 2585/56; B65D
2585/545; B65D 41/00; B65D 41/38;
B65D 41/56; B65D 41/62; B65D 47/00;
B65D 23/00; B65D 51/1694; B65D
43/0212; B65D 43/0208; B65D
2543/00046; B65D 2543/00092; B65D
1/24; B65D 25/04;

(Continued)

(56) **References Cited**

U.S. PATENT DOCUMENTS

D638,658 S * 5/2011 Staton D7/392
D686,870 S * 7/2013 Young D7/392.1
(Continued)

FOREIGN PATENT DOCUMENTS

KR 3009639560001 * 7/2018

OTHER PUBLICATIONS

Auto Flip Lid for Hydro Flask: Announced Sep. 10, 2019 [online].
Site Visited [Dec. 28, 2020]. Available from Internet URL: https://www.amazon.com/Replacement-Stainless-Insulated-BPA-Free-widemouth/dp/B07S79FN4V/ref=cm_cr_arp_d_product_top?ie=UTF8.*

(Continued)

Primary Examiner — Catherine S Posthauer

(74) *Attorney, Agent, or Firm* — Law Offices of Steven
W. Weinrieb

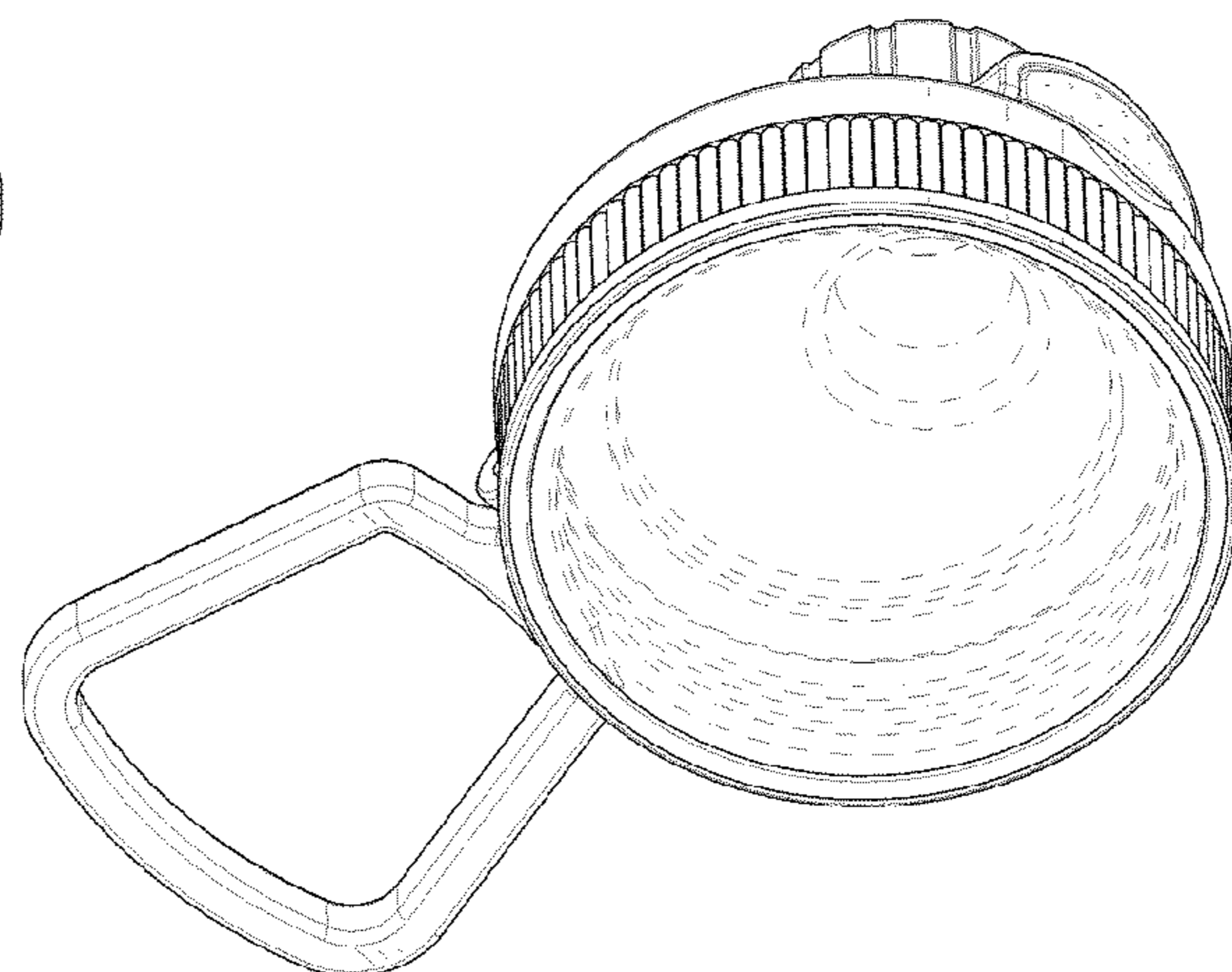
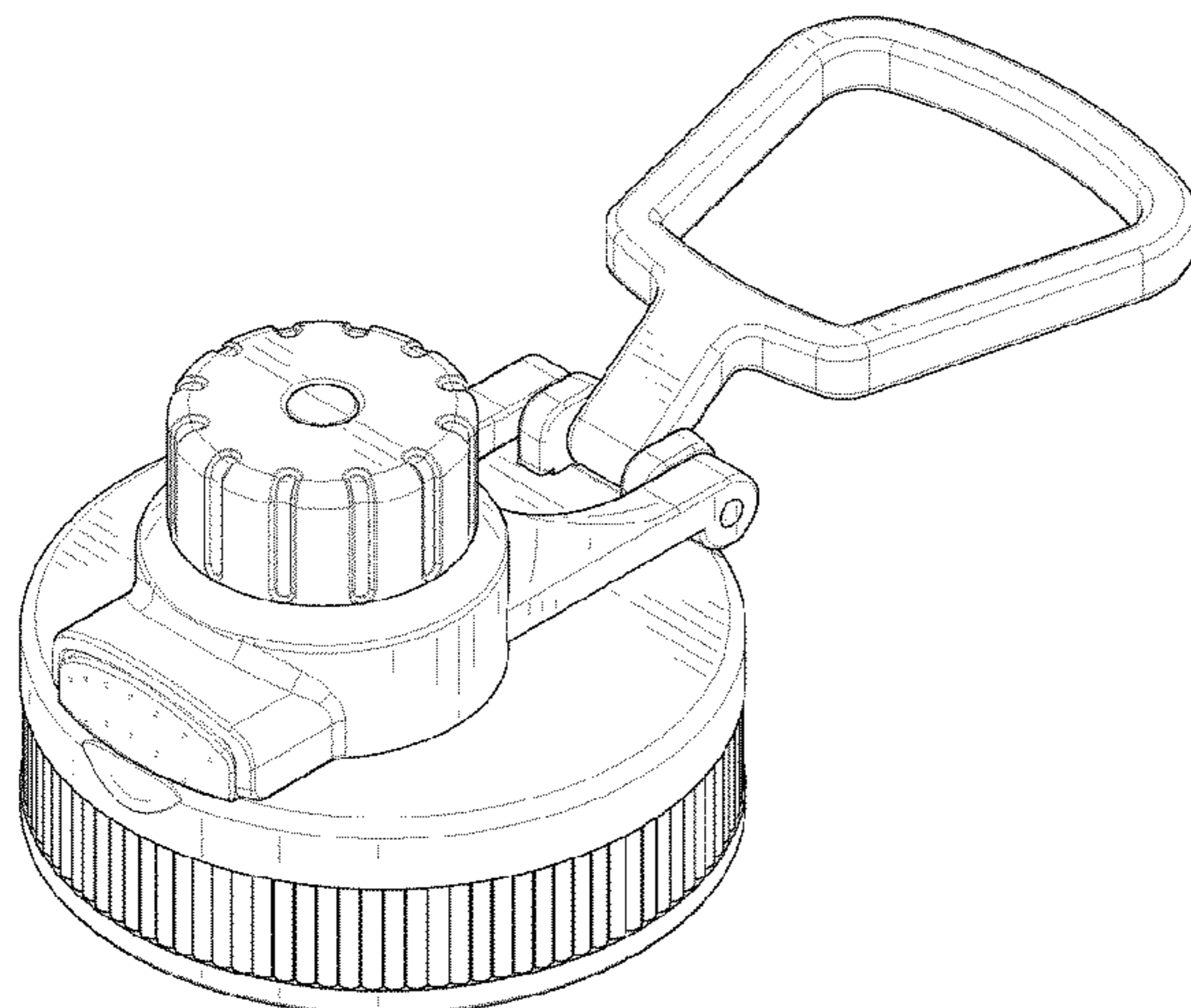
(57) **CLAIM**

The ornamental design for a bottle cap, as shown and
described.

DESCRIPTION

FIG. 1 is a front, right side, top perspective view of a bottle
cap showing my new design;
FIG. 2 is a front, left side, bottom perspective view thereof;
FIG. 3 is a front elevational view thereof;
FIG. 4 is a rear elevational view thereof;
FIG. 5 is a left side elevational view thereof;
FIG. 6 is a right side elevational view thereof;
FIG. 7 is a top plan view thereof;
FIG. 8 is a bottom plan view thereof; and,
FIG. 9 is a perspective view thereof, showing the cover
portion of the bottle cap in an open position of use.

(Continued)



The broken lines depict portions of the bottle cap that form no part of the claimed design.

1 Claim, 9 Drawing Sheets

(58) **Field of Classification Search**

CPC .. B65D 43/09; B65D 43/16; A61J 1/00; A61J 1/1412; A61J 1/02

See application file for complete search history.

(56) **References Cited**

U.S. PATENT DOCUMENTS

D714,584 S * 10/2014 Boroski D7/392
 D748,943 S * 2/2016 Miller D7/392.1
 D792,216 S * 7/2017 Breit D9/443
 D801,111 S * 10/2017 Eyal D7/392.1
 D817,085 S * 5/2018 Davis D7/392.1
 D824,721 S * 8/2018 Hu D7/392.1
 D836,386 S * 12/2018 Ayriss B65D 47/0857
 D7/392
 D847,563 S * 5/2019 Jacobsen D7/396.2
 D848,786 S * 5/2019 Bujalska D7/392.1
 D856,067 S * 8/2019 Barber D7/392.1
 D858,181 S * 9/2019 Lown D7/392.1
 D862,977 S * 10/2019 Bohman D7/392
 D863,878 S * 10/2019 Cortadellas D7/396.2
 D867,811 S * 11/2019 Lane D7/392
 D869,229 S 12/2019 Hao
 D869,230 S * 12/2019 Hao D7/392.1
 D870,509 S * 12/2019 Bo D7/392.1
 10,512,347 B1 * 12/2019 Shepard B65D 47/148
 D872,523 S 1/2020 Lv

D872,524 S 1/2020 Bo
 D874,214 S * 2/2020 Breit D7/392
 D874,215 S 2/2020 Hansen et al.
 D878,854 S 3/2020 Lee
 D879,550 S * 3/2020 Lane D7/392
 D881,640 S 4/2020 Nichols et al.
 D881,642 S 4/2020 Zhang
 D882,335 S * 4/2020 Lane D7/396.2
 D883,736 S 5/2020 Jacobsen
 D884,418 S * 5/2020 Wang D7/396.2
 D885,823 S 6/2020 Ayres
 D886,518 S 6/2020 Li
 D889,199 S * 7/2020 Shepard D7/396.2
 D892,547 S * 8/2020 Hung D7/396.2
 D894,669 S * 9/2020 Lane D7/392
 D894,670 S * 9/2020 Adams, Jr. D7/392.1
 D895,352 S * 9/2020 Yao D7/392.1
 D895,353 S * 9/2020 Zheng D7/392.1
 D896,024 S * 9/2020 Wang D7/392.1
 D896,572 S * 9/2020 Nichols D7/392.1
 D896,573 S * 9/2020 Wu D7/392.1
 D898,507 S * 10/2020 Ekblom D7/392.1
 D899,181 S * 10/2020 Xie D7/392.1
 D903,404 S * 12/2020 Bram D7/392.1
 2008/0054028 A1 * 3/2008 Brannon B65D 47/06
 222/547
 2016/0150914 A1 * 6/2016 Waggoner B01F 3/0865
 366/130

OTHER PUBLICATIONS

Tayeka Originals Vacuum Insulated Stainless Steel Water Bottle: Announced Mar. 8, 2016 [online]. Site Visited [Dec. 28, 2020]. Available from Internet URL: <https://www.amazon.com/dp/B0188QB9SE?th=1>.*

* cited by examiner

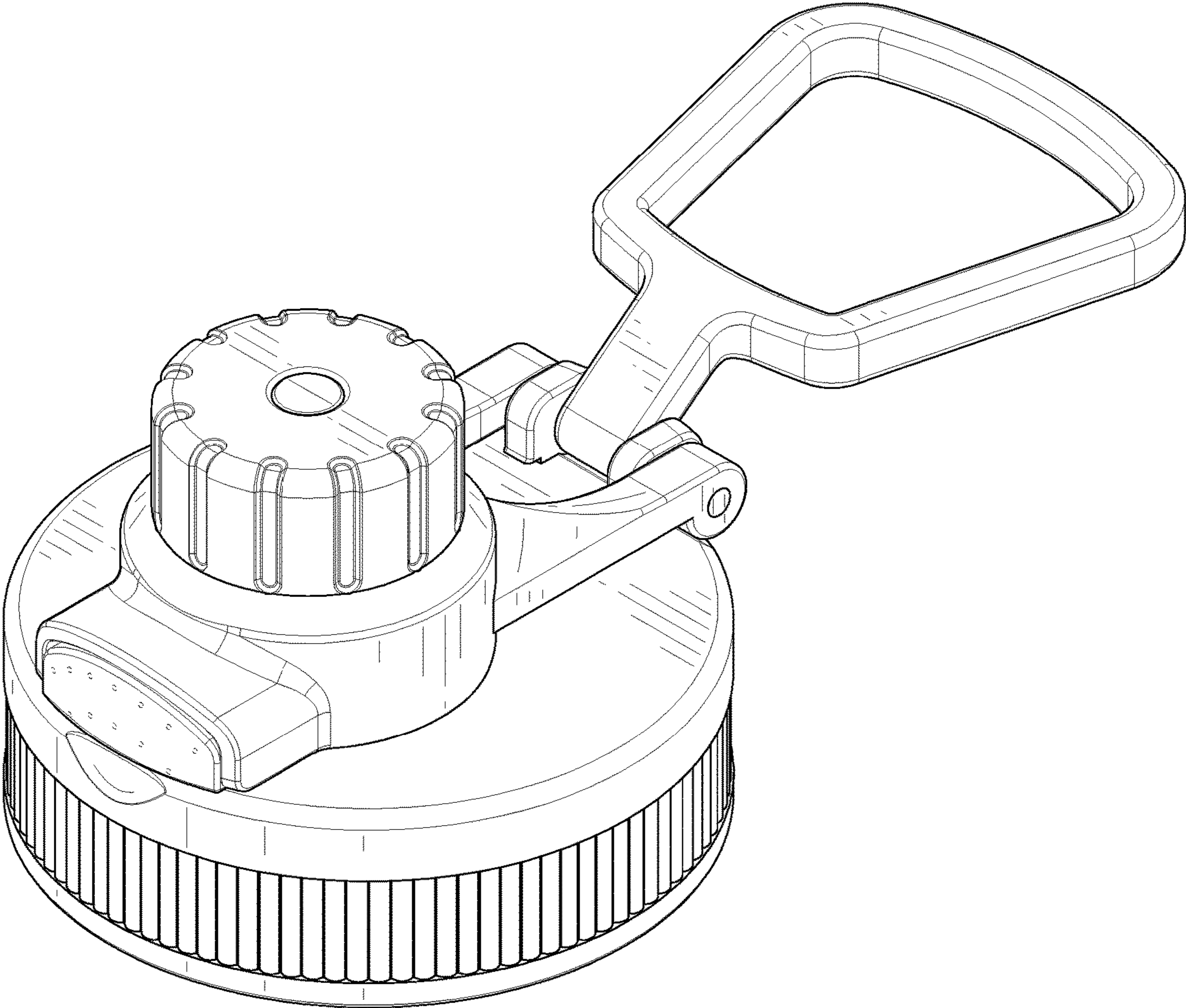


FIG.1

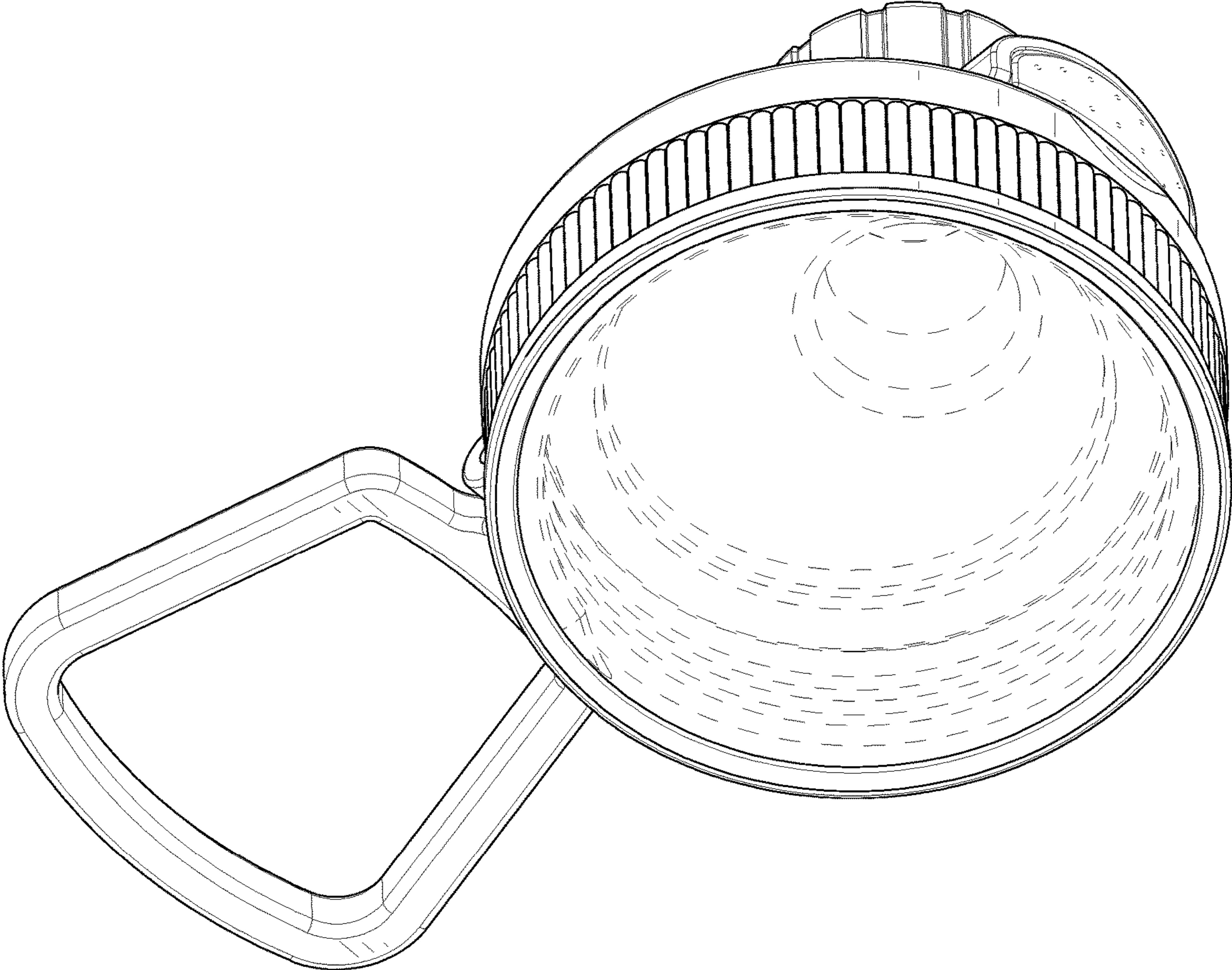


FIG.2

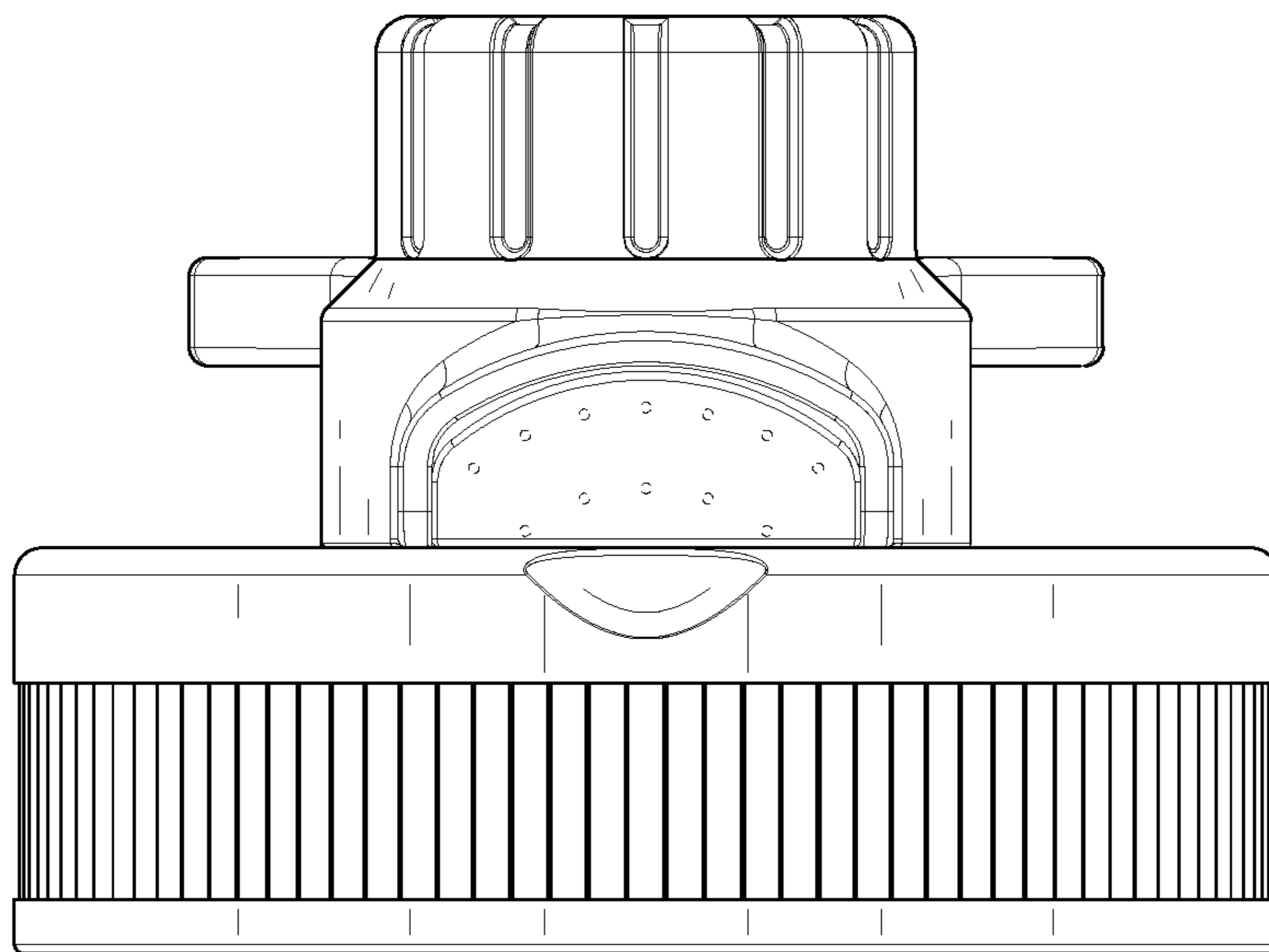


FIG.3

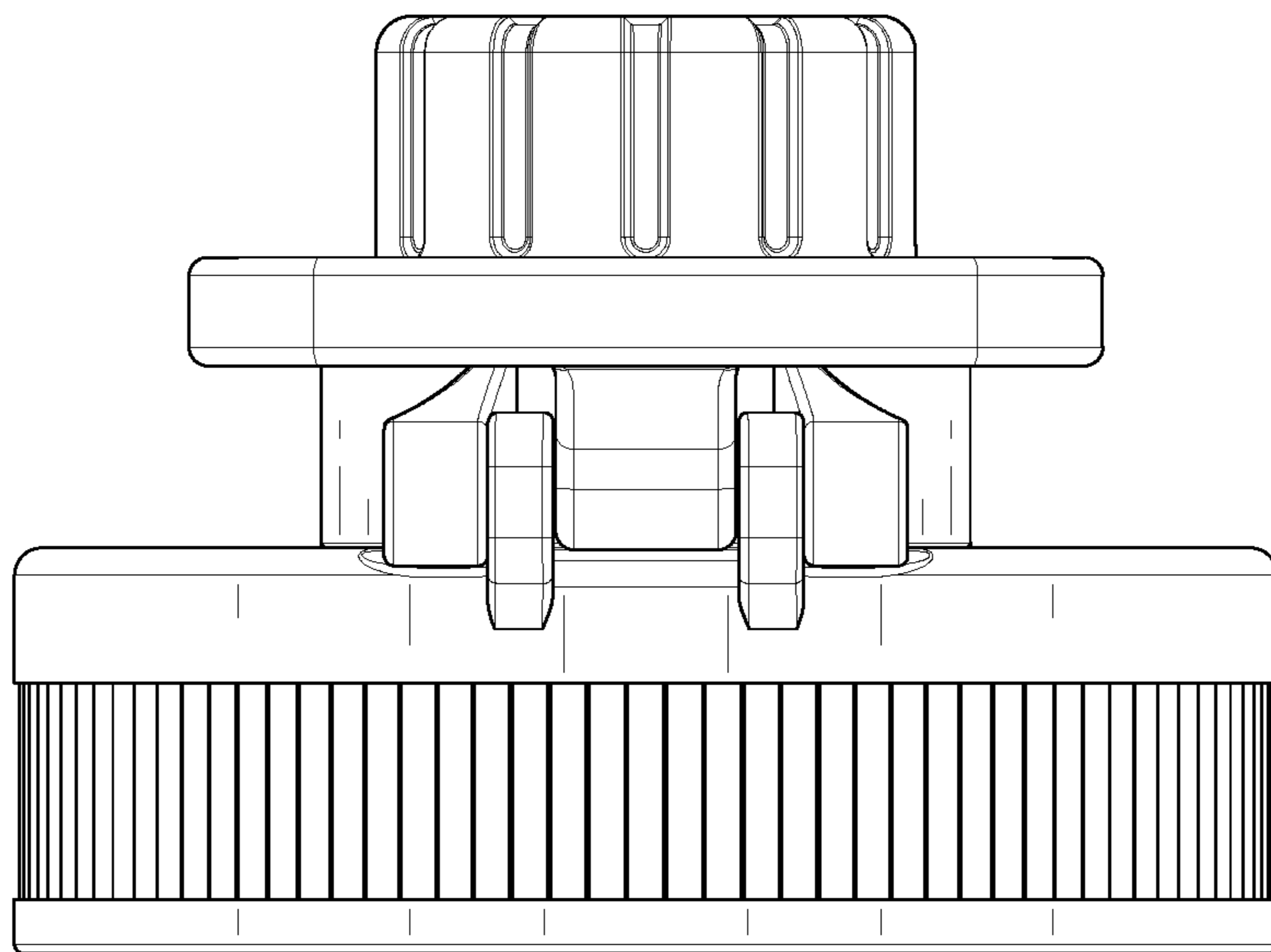


FIG.4

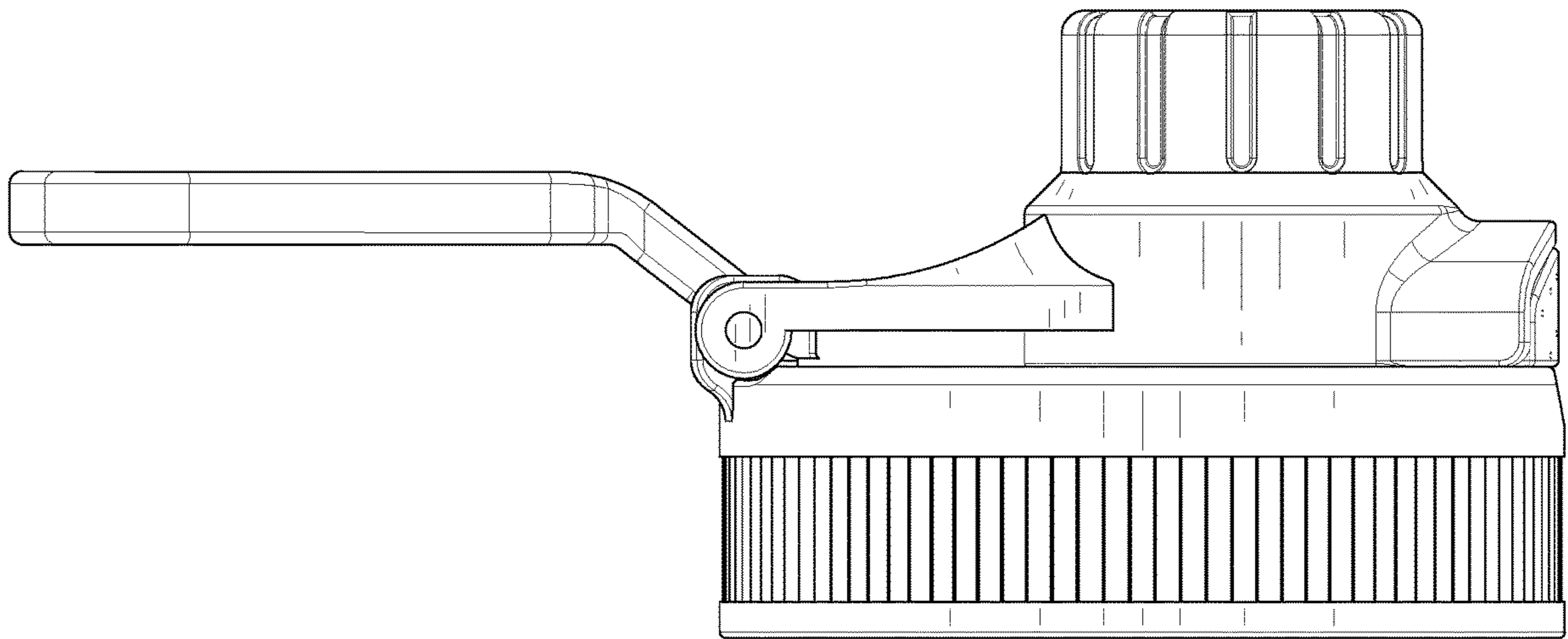


FIG.5

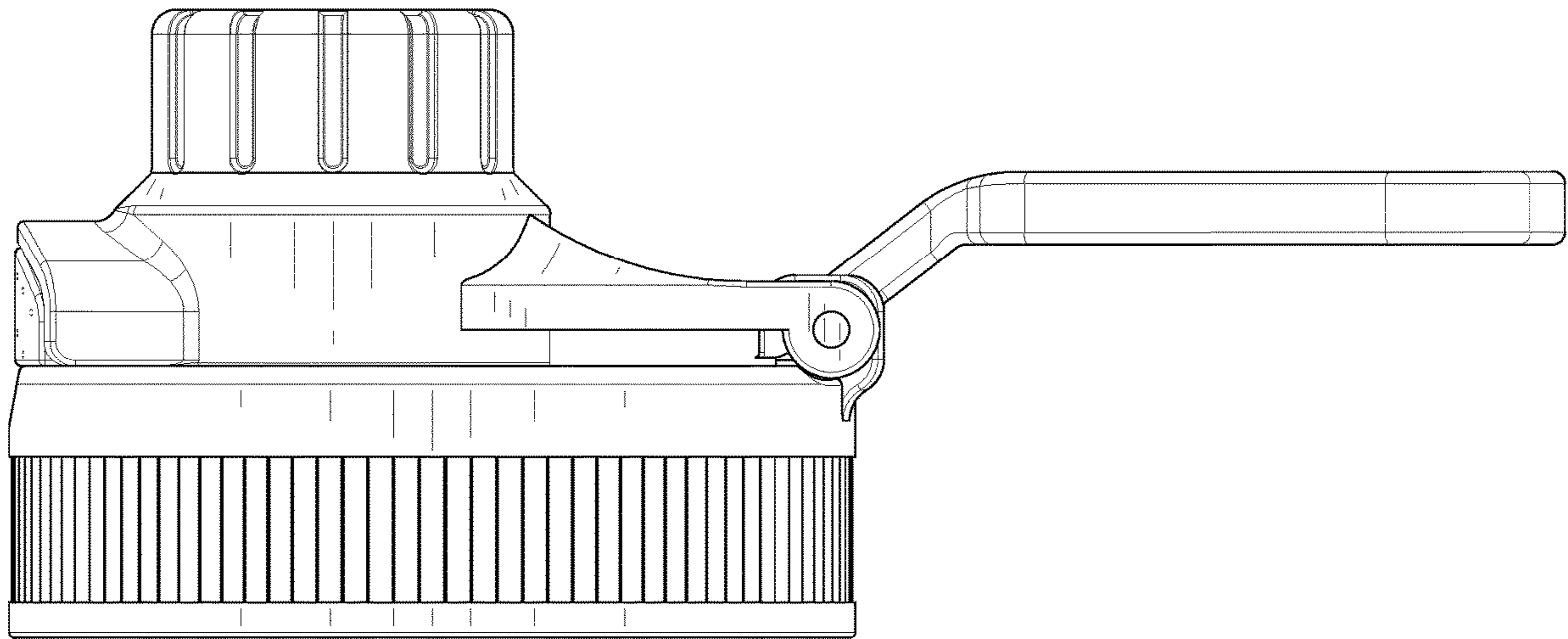


FIG.6

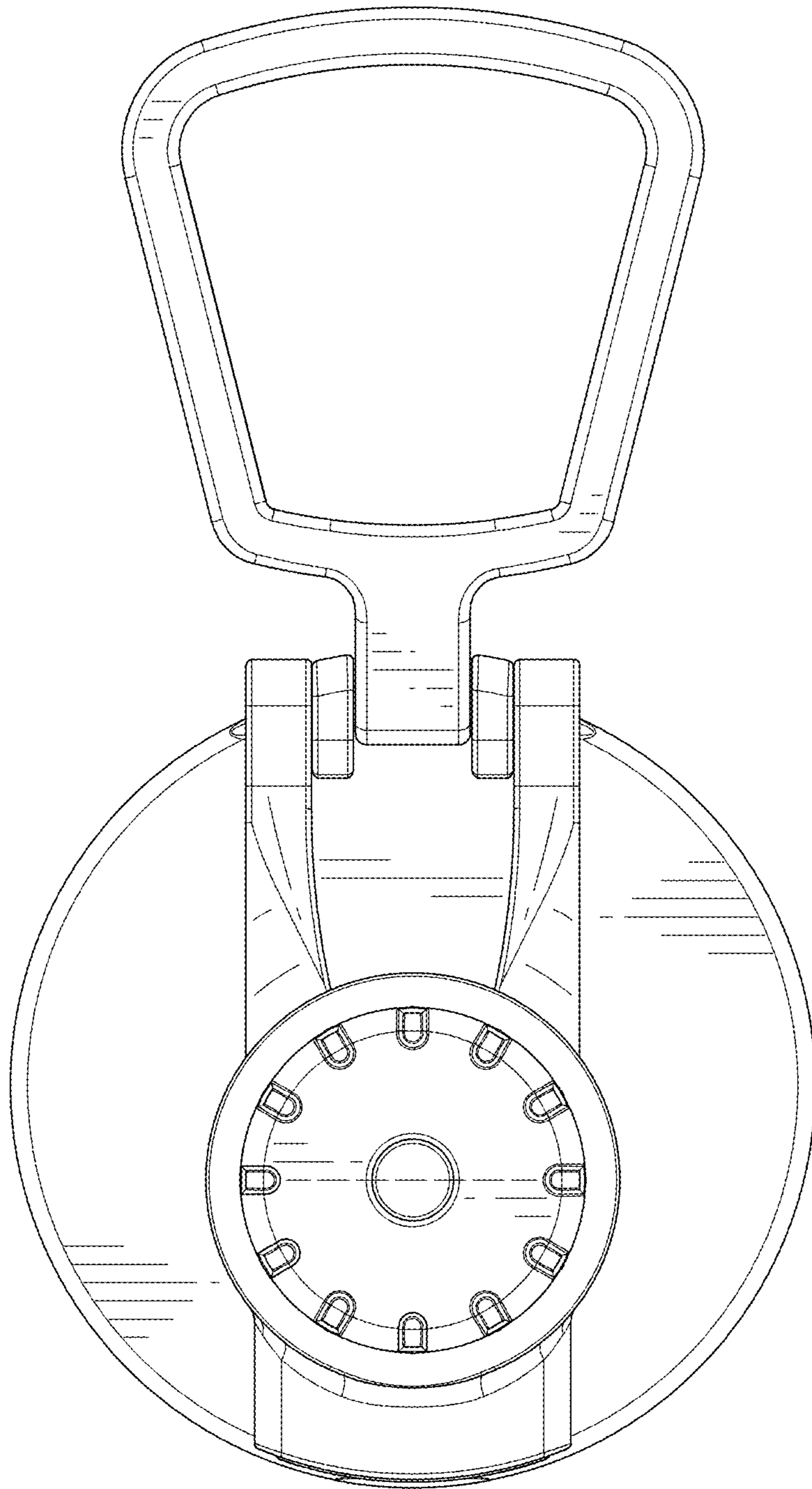


FIG. 7

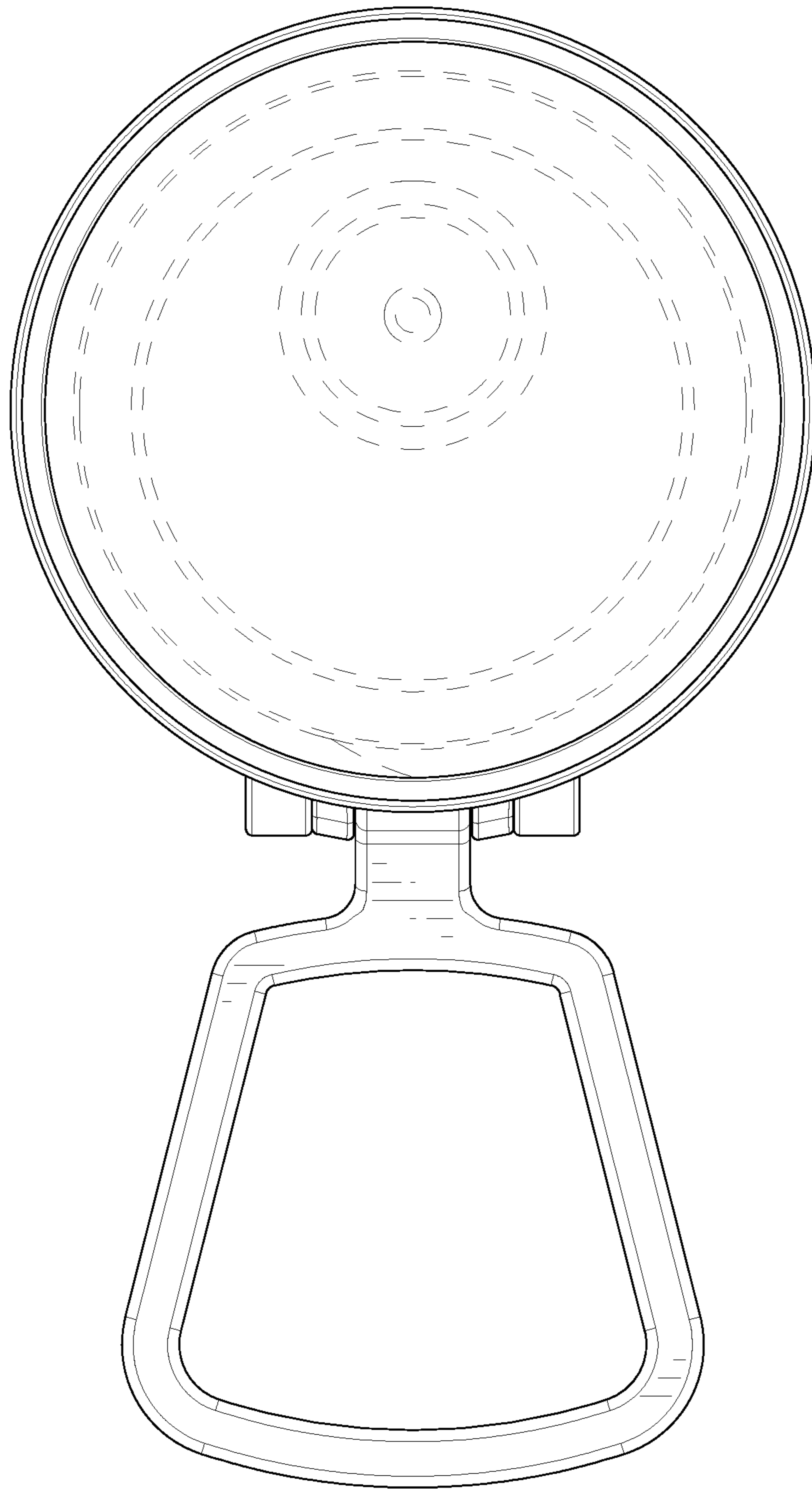


FIG.8

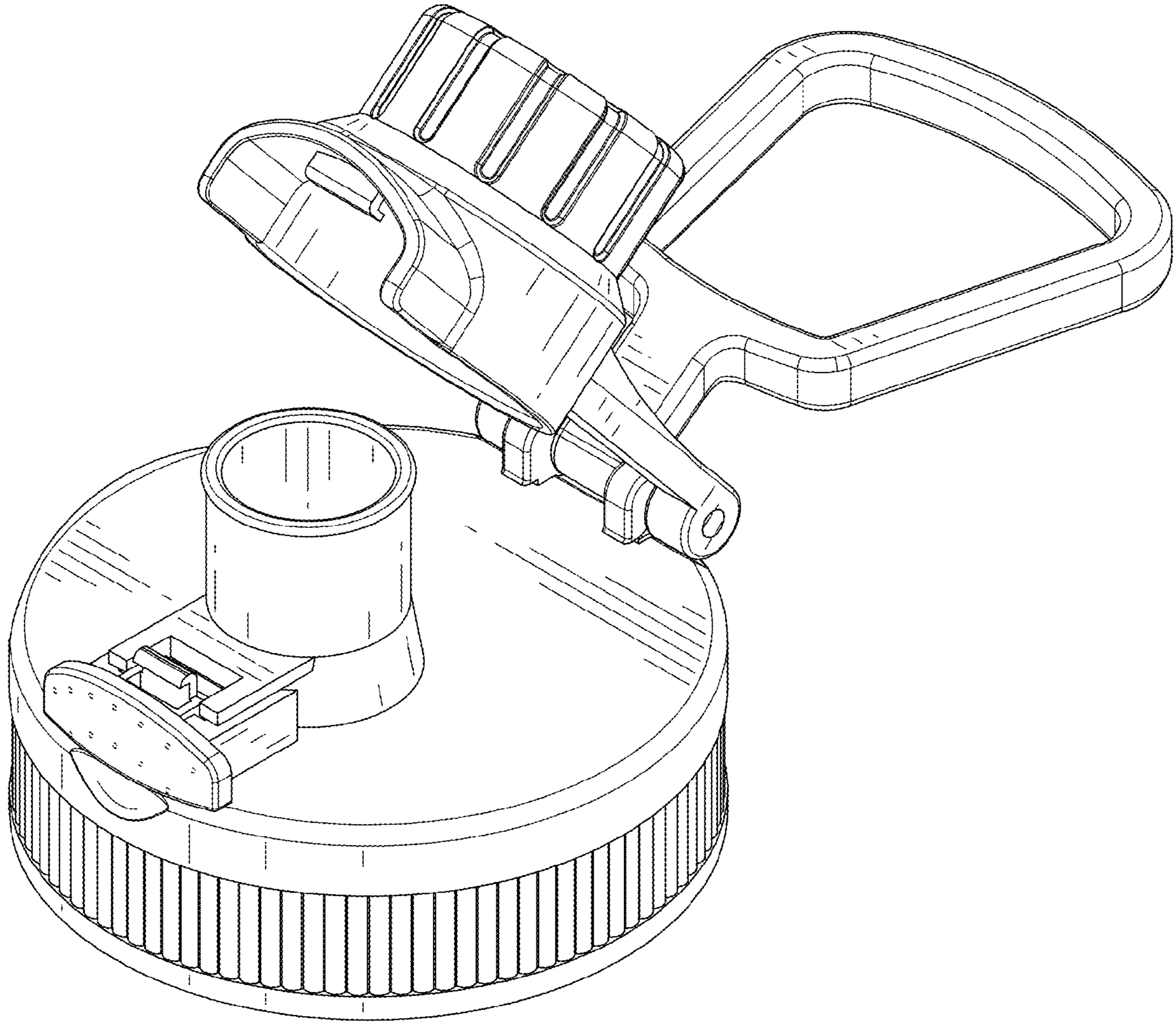


FIG.9