



US00D920040S

(12) **United States Design Patent**
Kauffman et al.

(10) **Patent No.:** **US D920,040 S**

(45) **Date of Patent:** **** May 25, 2021**

(54) **BOTTLE CAP**

(71) Applicant: **FC Brands LLC**, New York, NY (US)

(72) Inventors: **Heather Kauffman**, Larchmont, NY (US); **Markus Diebel**, San Francisco, CA (US); **Joe Tan**, San Francisco, CA (US); **Tal Chitayat**, New York, NY (US); **David Chitayat**, Shanghai (CN)

(73) Assignee: **FC Brands LLC**, New York, NY (US)

(**) Term: **15 Years**

(21) Appl. No.: **29/726,867**

(22) Filed: **Mar. 6, 2020**

(51) **LOC (13) Cl.** **07-99**

(52) **U.S. Cl.**
USPC **D7/396.2**

(58) **Field of Classification Search**

USPC D7/509, 510, 511, 624.1, 387, 391, 392, D7/392.1, 393, 396.1, 396.2, 400; D9/434, 435, 436, 439, 445, 446, 447, D9/448, 449, 451, 454, 686, 723, 724, D9/438, 440, 443, 452, 453; D24/127, D24/162; D23/259, 260, 261, 209, 210
CPC ... B65D 1/00; B65D 1/02; B65D 1/10; B65D 1/24; B65D 1/46; B65D 2585/56; B65D 2585/545; B65D 41/00; B65D 41/38; B65D 41/56; B65D 41/62; B65D 47/00; B65D 47/04; B65D 47/06; B65D 47/08; B65D 47/20; B65D 23/00; B65D 51/1694; B65D 43/09; B65D 43/16; B65D 43/0212; B65D 43/265; B65D 43/0208; B65D 43/22; B65D 43/00046; B65D 43/00092; B65D 43/00222; B65D 2543/00046; B65D 2543/00092; B65D 17/506; A61J 1/00; A61J 1/1412; A61J 1/02

See application file for complete search history.

(56) **References Cited**

U.S. PATENT DOCUMENTS

D349,650 S * 8/1994 Lonczak D9/449
D411,744 S * 6/1999 Brach D9/438

D455,077 S * 4/2002 Gaiser D9/449
6,484,895 B2 * 11/2002 Montgomery B65D 41/3442
215/237
D530,203 S * 10/2006 Li D9/449
D536,974 S * 2/2007 Smith D9/435
D536,975 S * 2/2007 Smith D9/435

(Continued)

OTHER PUBLICATIONS

SOMA Water Bottle: Announced Sep. 17, 2020 [online]. Site Visited [Feb. 3, 2021]. Availalbe from Internet URL: <https://drinksoma.com/products/sport-bottle>.*

Primary Examiner — Catherine S Posthauer

(74) *Attorney, Agent, or Firm* — Pierce Atwood LLP

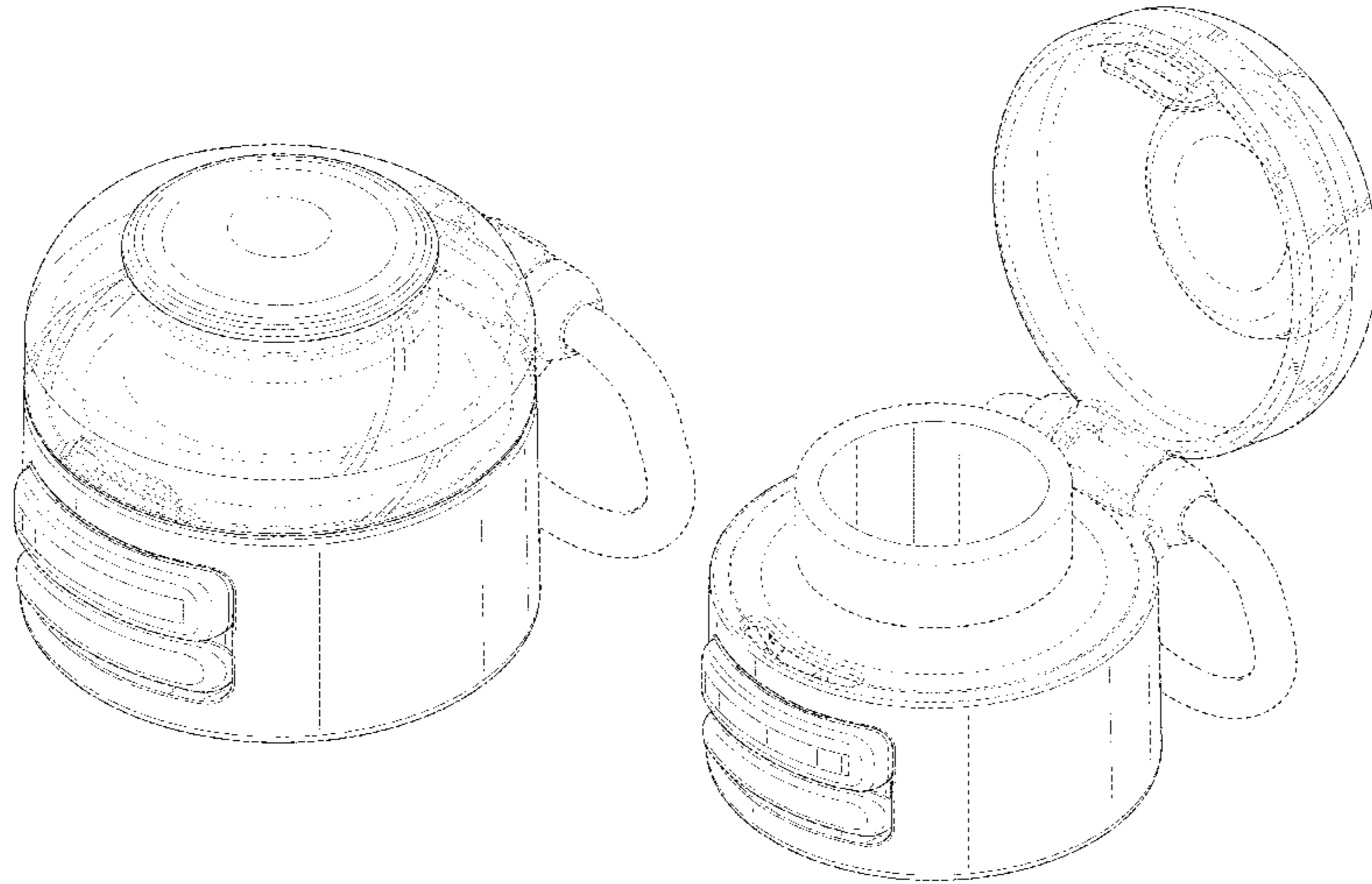
(57) **CLAIM**

The ornamental design for a bottle cap, as shown and described.

DESCRIPTION

FIG. 1 is a front perspective view of a bottle cap showing our new design in a closed position;
FIG. 2 is a front elevation view thereof;
FIG. 3 is a rear elevation view thereof;
FIG. 4 is a right side elevation view thereof;
FIG. 5 is a left side elevation view thereof;
FIG. 6 is the top plan view thereof;
FIG. 7 is the bottom plan view thereof;
FIG. 8 is a front perspective view thereof showing the bottle cap attached to a bottle; and,
FIG. 9 is a front perspective view of the bottle cap shown in FIG. 1, in an open position.
The broken lines are shown for the purpose of illustrating both parts of the article as well as environmental subject matter of an exemplary bottle. None of the broken lines form part of the claimed design.

1 Claim, 9 Drawing Sheets



(56)

References Cited

U.S. PATENT DOCUMENTS

D547,652 S *	7/2007	Kerman	D9/438	D874,214 S *	2/2020	Breit	D7/392
D554,503 S *	11/2007	Kerman	D9/438	D885,183 S *	5/2020	Schawo	D9/449
D554,993 S *	11/2007	Kerman	D9/438	D889,194 S *	7/2020	Han	D7/392.1
D581,790 S *	12/2008	Hyde	D9/449	D901,250 S *	11/2020	McCabe	D7/511
D609,964 S *	2/2010	Lane	D7/392.1	D903,403 S *	12/2020	Ames	D7/392
D624,414 S *	9/2010	Benoit-Gonin	D9/449	2007/0251949 A1 *	11/2007	Barre	B65D 47/0871
D638,705 S *	5/2011	Schawo	D9/443					220/890
D661,945 S *	6/2012	Eyal	D7/392.1	2009/0230003 A1 *	9/2009	Thiellier	A24F 23/00
D663,202 S *	7/2012	Biesecker	D9/449					206/247
D683,580 S *	6/2013	Rosenfeld	D7/392	2012/0067915 A1 *	3/2012	Lepage	B65D 47/0828
D727,730 S *	4/2015	Buschmann	D9/449					220/831
D769,715 S *	10/2016	Bois	D9/449	2012/0091160 A1 *	4/2012	Rognard	B65D 51/248
D782,908 S *	4/2017	Bentkovski	D9/449					220/835
D817,088 S *	5/2018	Shirley	D7/396.2	2015/0320174 A1 *	11/2015	Kim	A45D 40/22
D818,767 S *	5/2018	Nezu	D7/392.1					132/295
D842,107 S *	3/2019	Bardet	D9/449	2017/0267422 A1 *	9/2017	Kieras	B65D 47/0804
					2020/0071027 A1 *	3/2020	Lane	B65D 47/088
					2020/0140152 A1 *	5/2020	Jelich	B65D 43/22

* cited by examiner

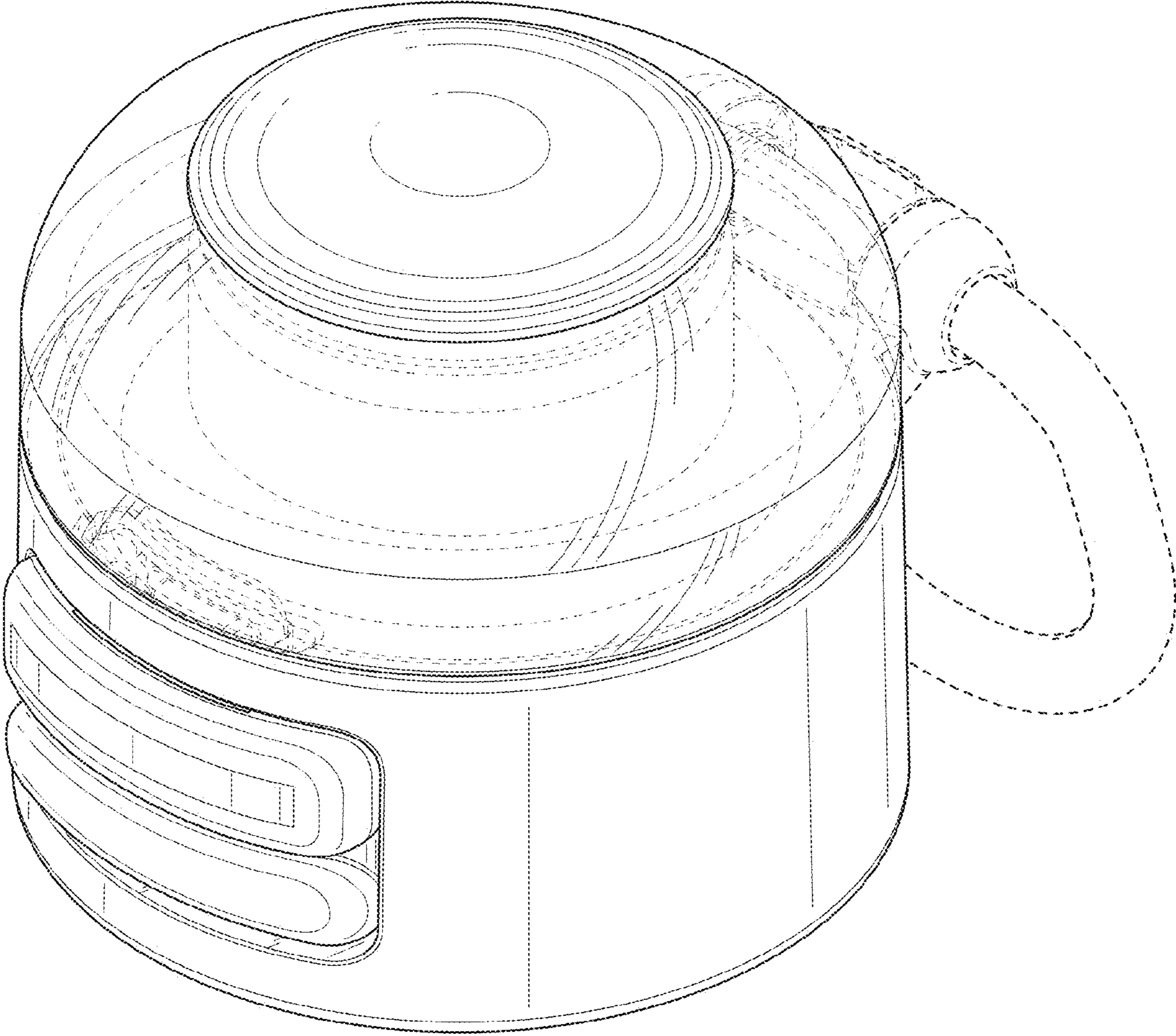


FIG. 1

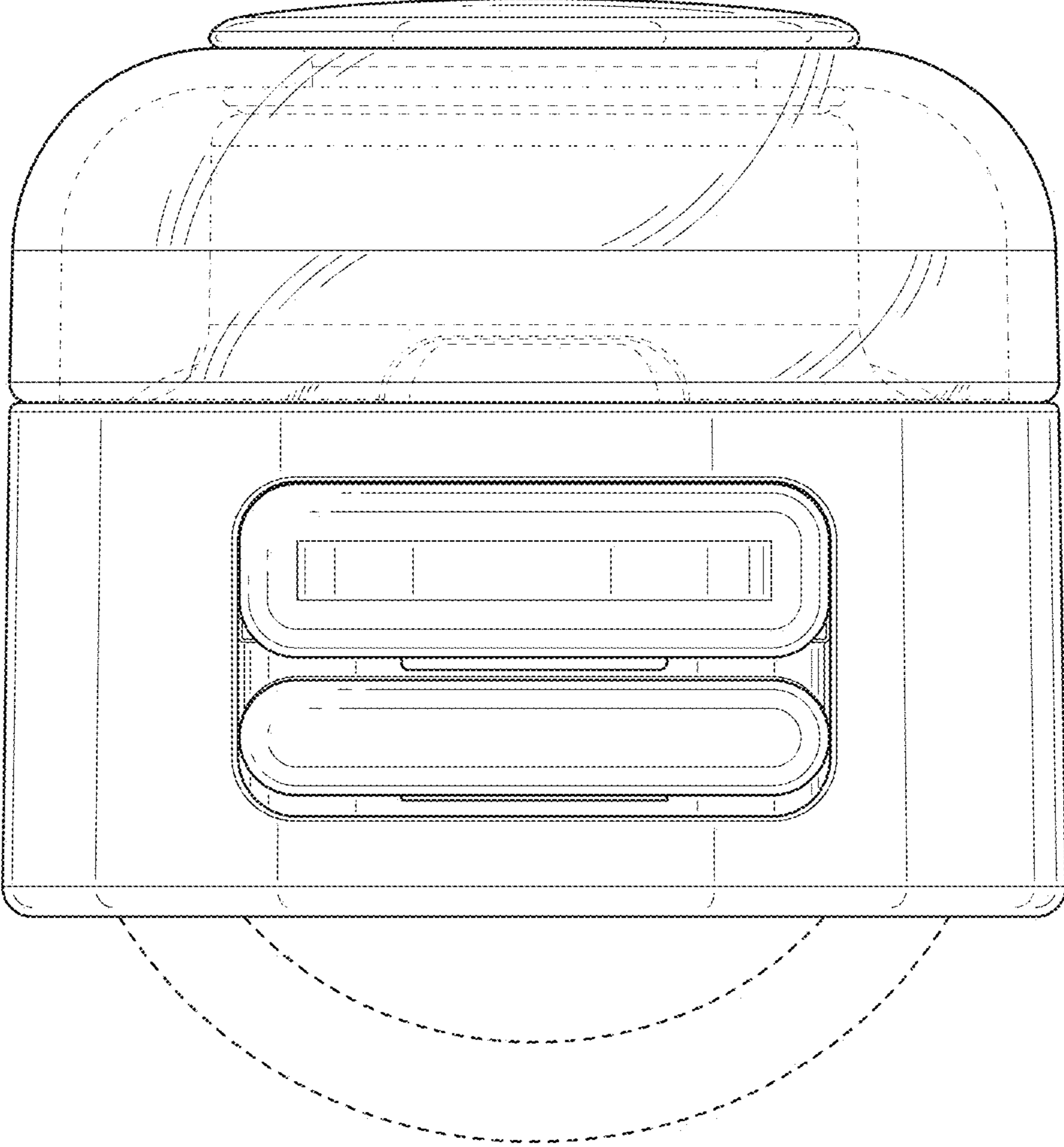


FIG. 2

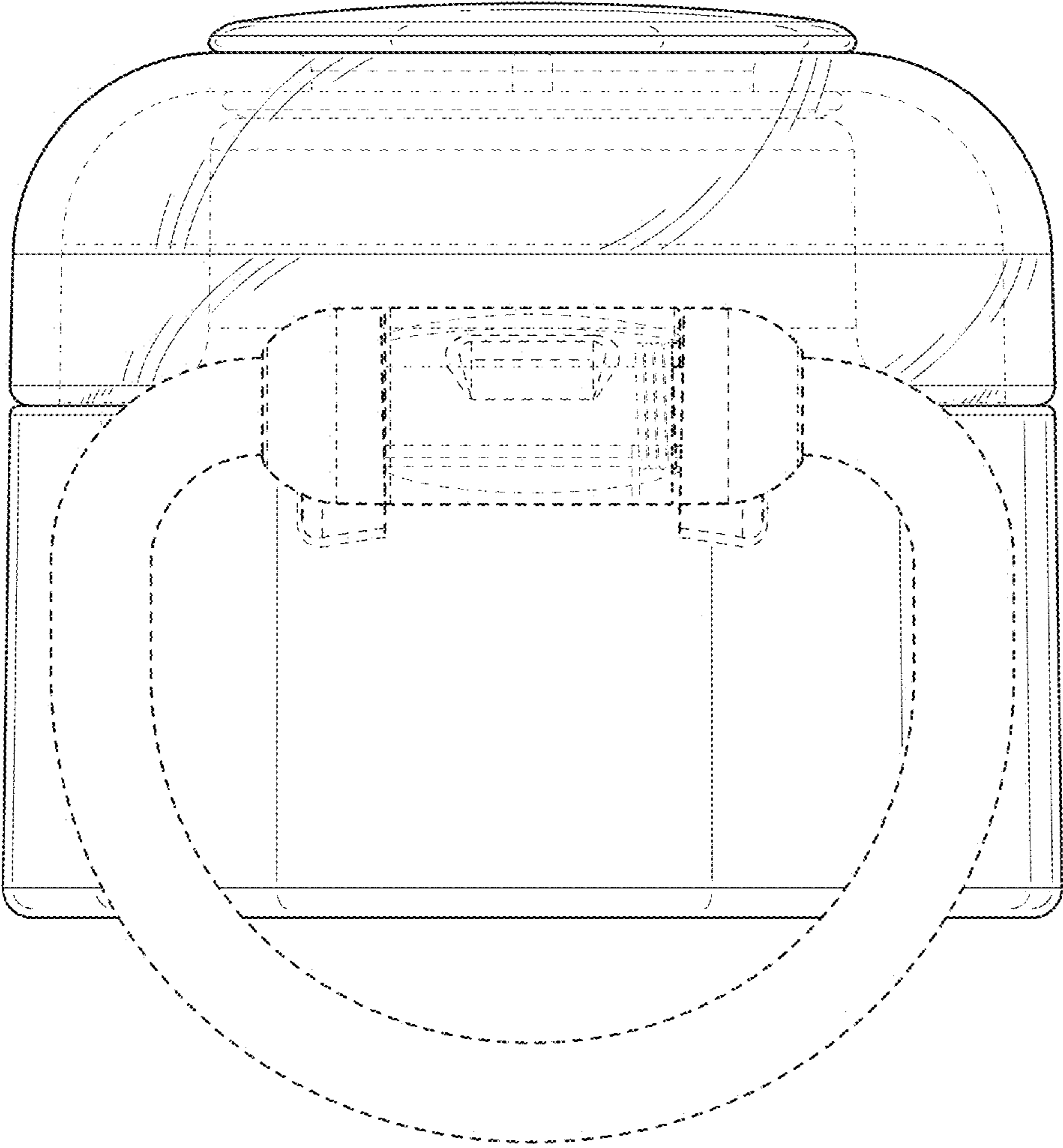


FIG. 3

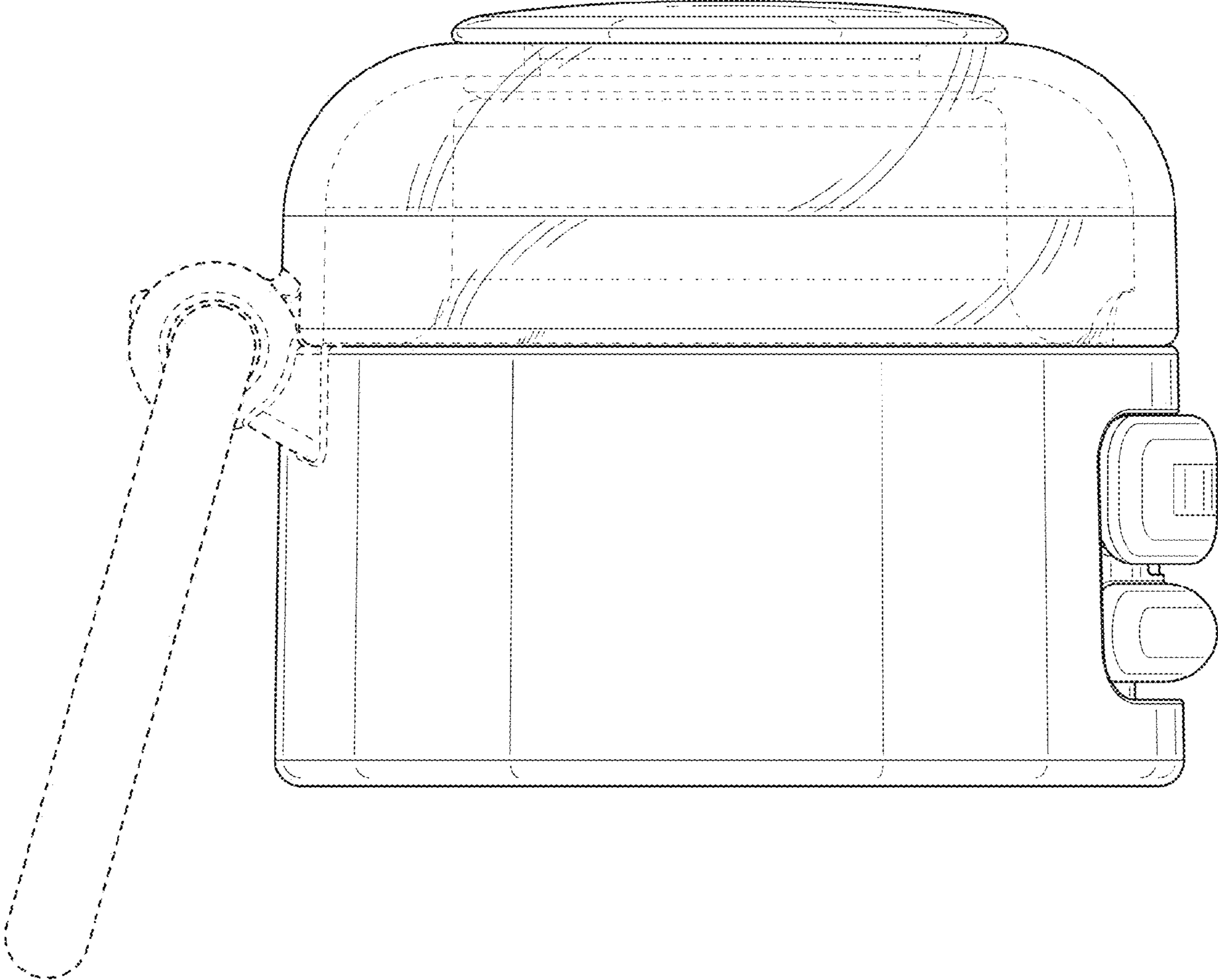


FIG. 4

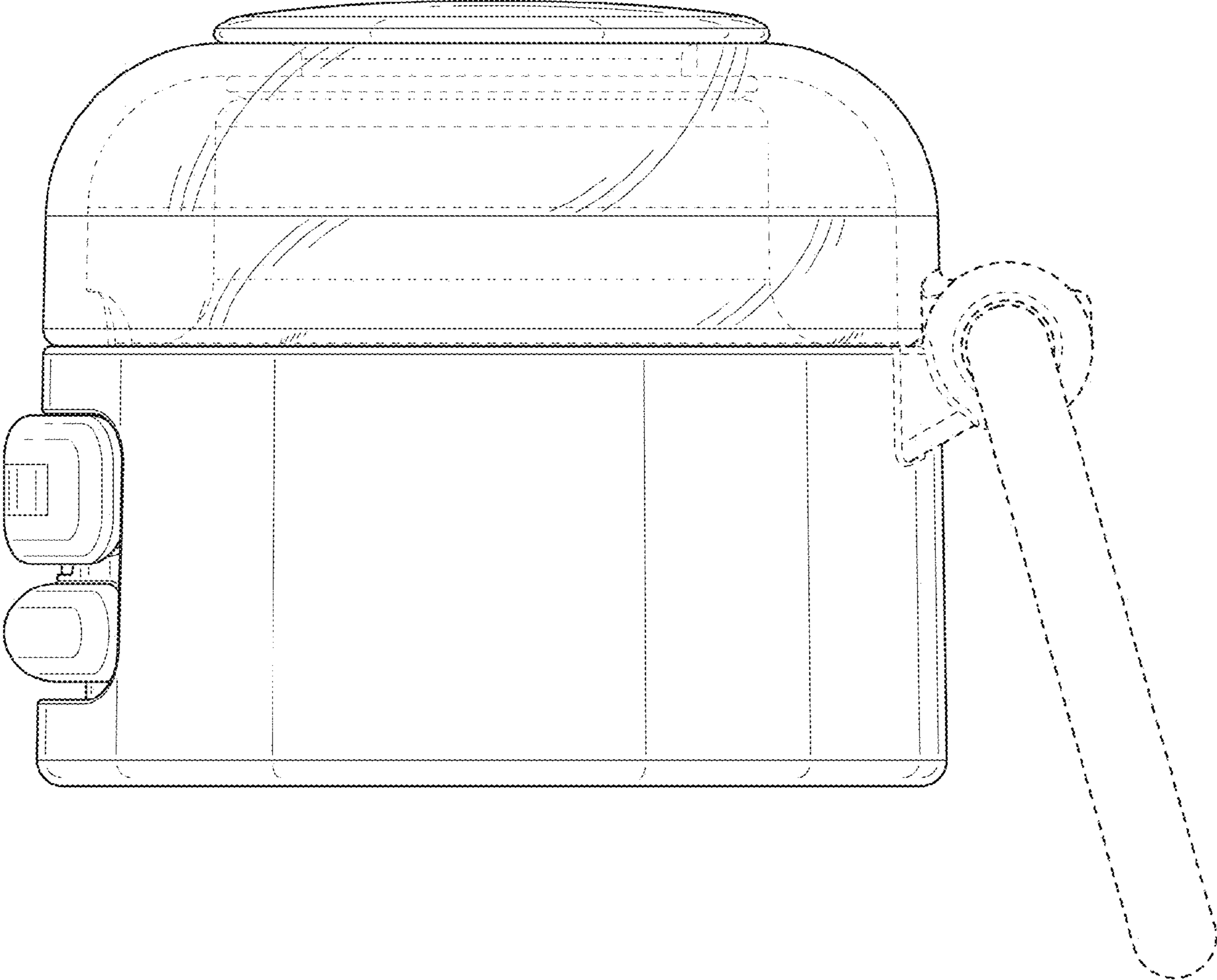


FIG. 5

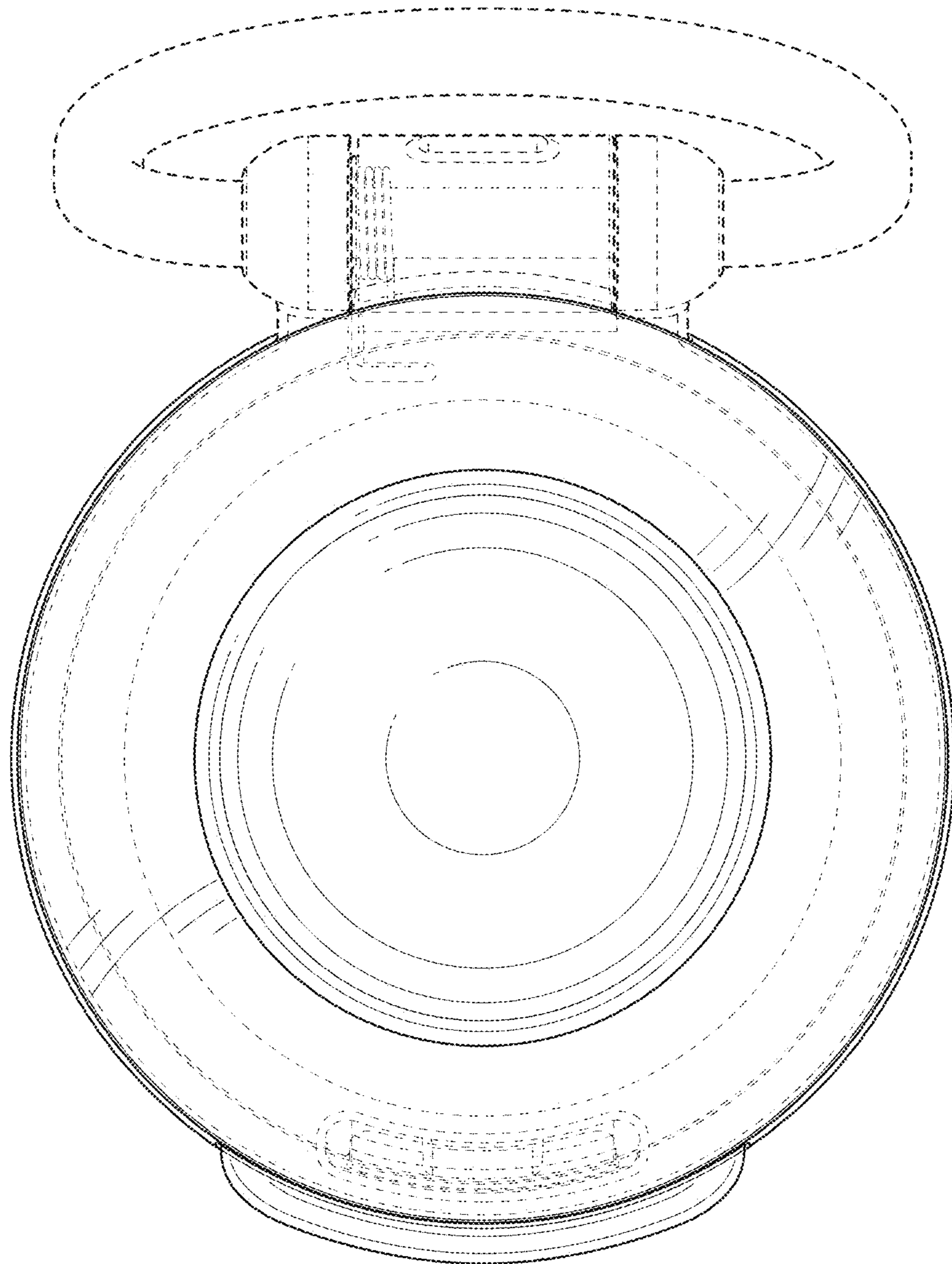


FIG. 6

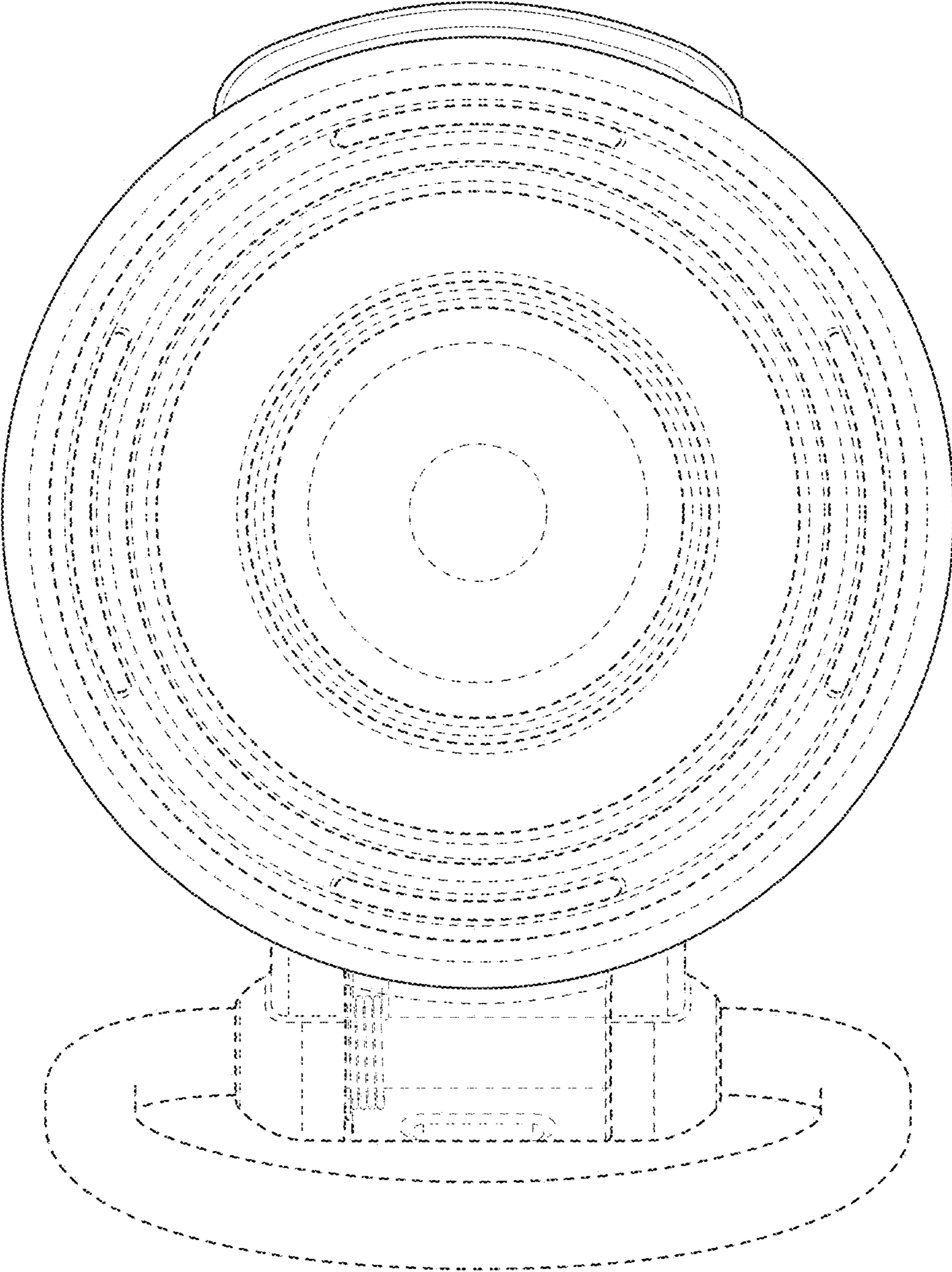


FIG. 7

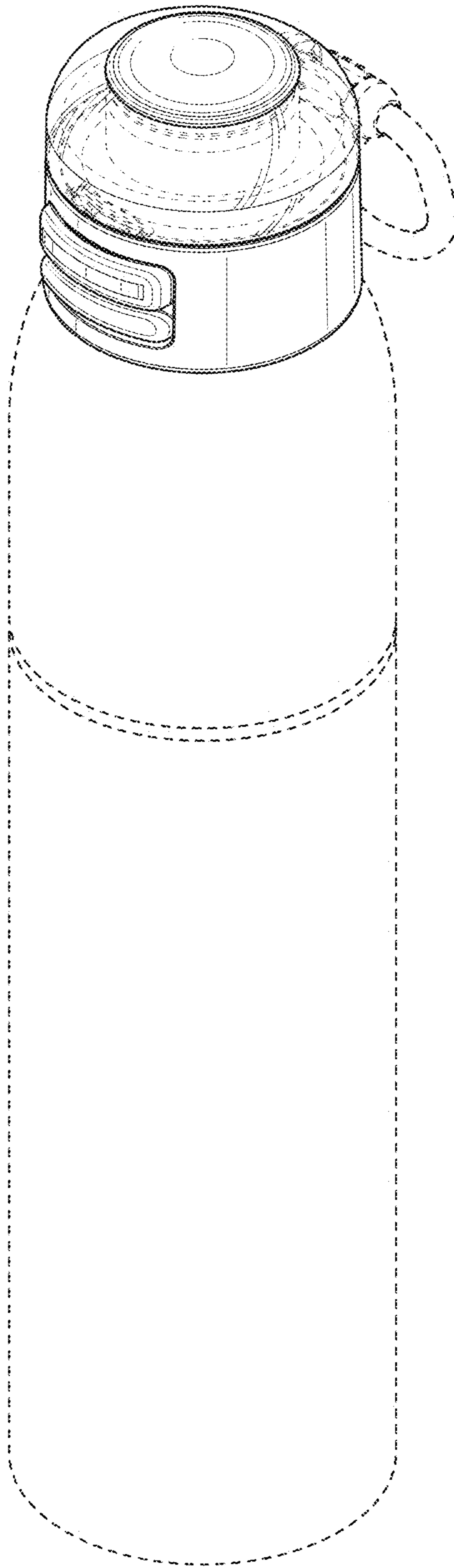


FIG. 8

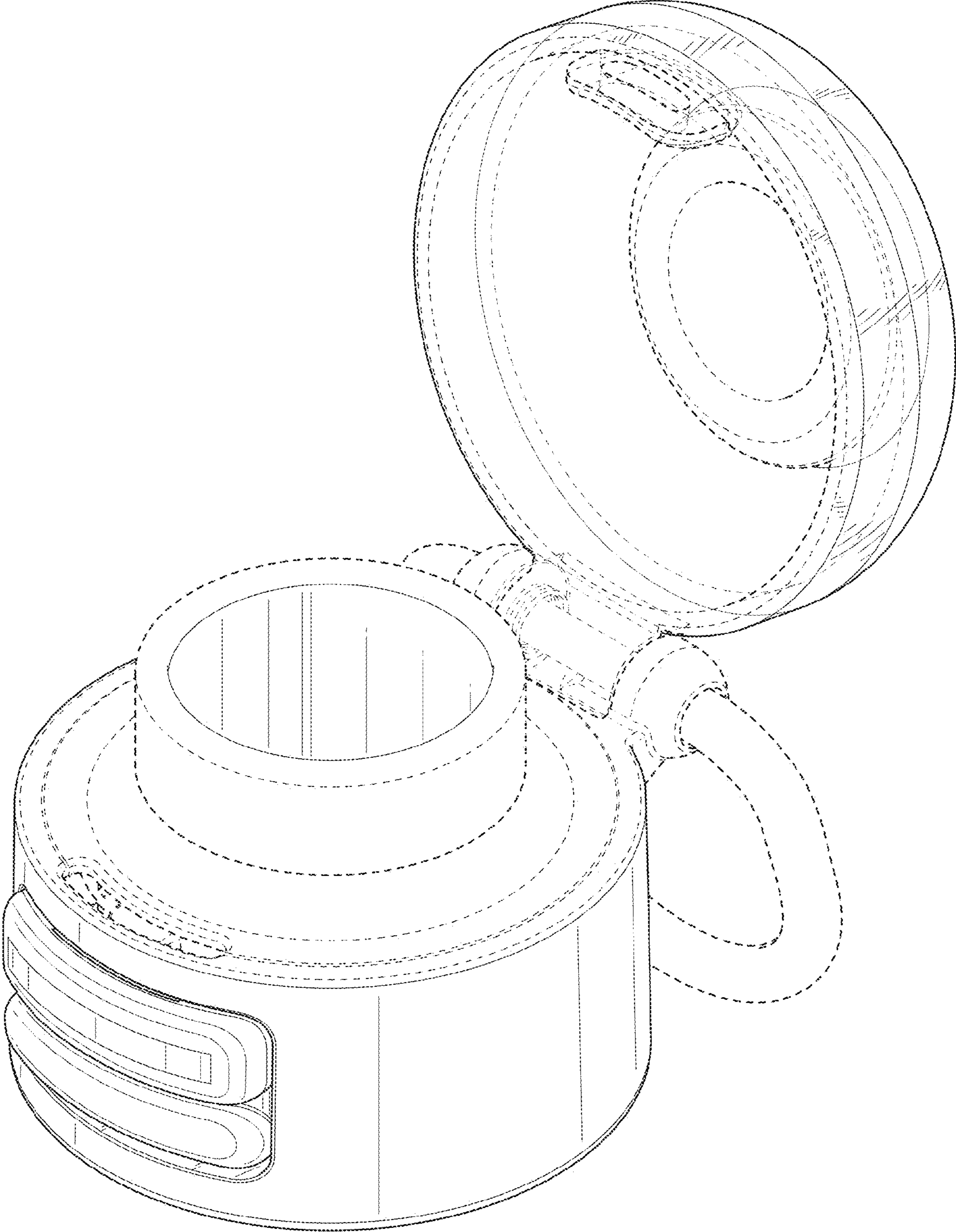


FIG. 9