



US00D920039S

(12) **United States Design Patent**  
**Bazzicalupo et al.**

(10) **Patent No.:** **US D920,039 S**

(45) **Date of Patent:** **\*\* May 25, 2021**

(54) **COOKWARE HANDLE**

(71) Applicant: **SMEG S.p.A.**, Guastalla (IT)

(72) Inventors: **Leopoldo Bazzicalupo**, Sale Marasino (IT); **Raffaella Mangiarotti**, Milan (IT)

(73) Assignee: **SMEG S.p.A.**

(\*\*) Term: **15 Years**

(21) Appl. No.: **35/508,693**

(22) Filed: **Aug. 23, 2019**

(80) **Hague Agreement Data**

Int. Filing Date: **Aug. 23, 2019**

Int. Reg. No.: **DM/204405**

Int. Reg. Date: **Aug. 23, 2019**

Int. Reg. Pub. Date: **Feb. 28, 2020**

(51) **LOC (13) Cl.** ..... **07-02**

(52) **U.S. Cl.**  
USPC ..... **D7/395**

(58) **Field of Classification Search**

USPC ..... D7/354-361, 393-395, 401.2, 664, 107;  
D8/300, 303, 307, 313, 321

CPC ..... A47J 45/06; A47J 45/061; A47J 45/62;  
A47J 45/08; A47J 45/085; A47J 45/071;  
A47J 45/072; B65D 25/2802; B65D  
25/2882; B65D 25/2885; B65D 25/2888;  
B65D 25/2894; Y10S 220/912

See application file for complete search history.

(56) **References Cited**

**U.S. PATENT DOCUMENTS**

103,055 A \* 5/1870 Kinzer ..... A47J 45/071  
220/752

D433,278 S \* 11/2000 LoGiudice ..... D7/395

D497,771 S *	11/2004	Thomkins	.....	D7/395
D592,452 S *	5/2009	Tetreault	.....	D7/395
D598,705 S *	8/2009	Tetreault	.....	D7/395
D613,551 S *	4/2010	Pantaleo	.....	D7/395
D622,098 S *	8/2010	Pantaleo	.....	D7/395
D678,716 S *	3/2013	Rae	.....	D7/395
D682,023 S *	5/2013	Rae	.....	D7/395
D704,999 S *	5/2014	Rae	.....	D7/395
D711,188 S *	8/2014	Shen	.....	D7/395
D790,271 S *	6/2017	Ryan	.....	D7/395
D795,010 S *	8/2017	Barberi	.....	D7/395
D804,242 S *	12/2017	Barberi	.....	D7/395
D874,871 S *	2/2020	Barberi	.....	D7/395
10,849,464 B2 *	12/2020	Mishan	.....	A47J 45/085

\* cited by examiner

*Primary Examiner* — Michael A. Pratt

(74) *Attorney, Agent, or Firm* — The Belles Group, P.C.

(57) **CLAIM**

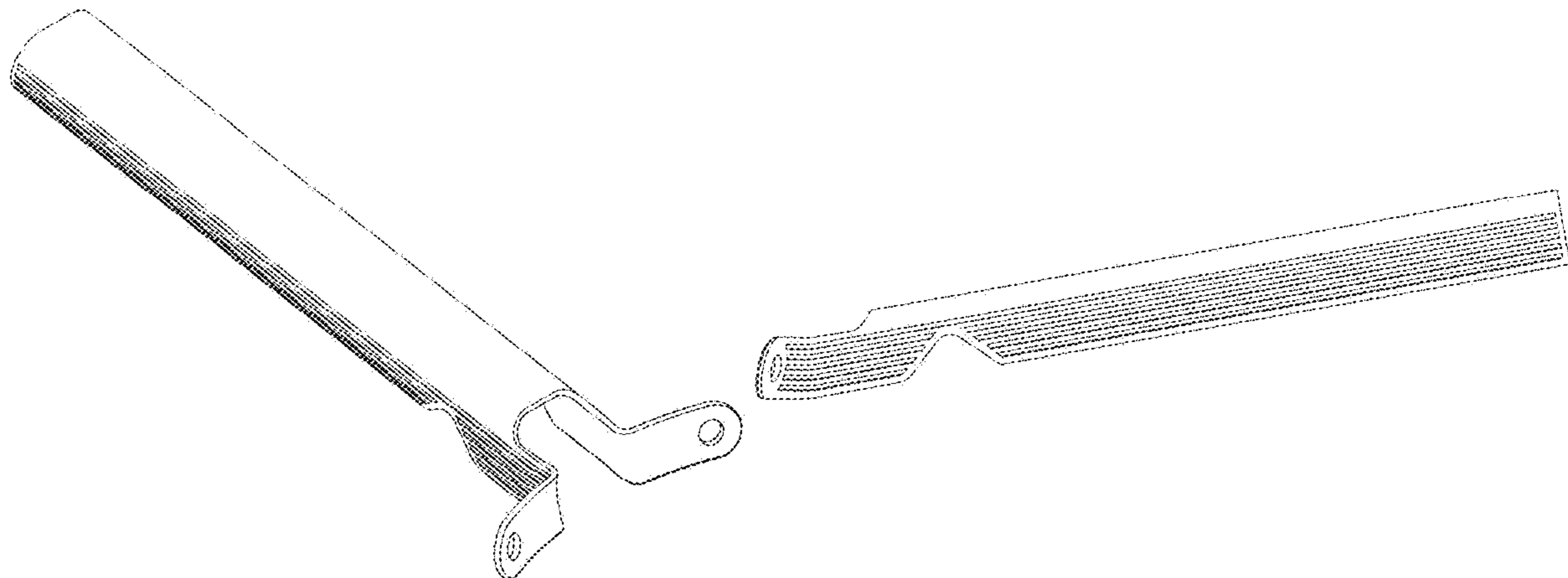
The ornamental design for the cookware handle, as shown and described.

**DESCRIPTION**

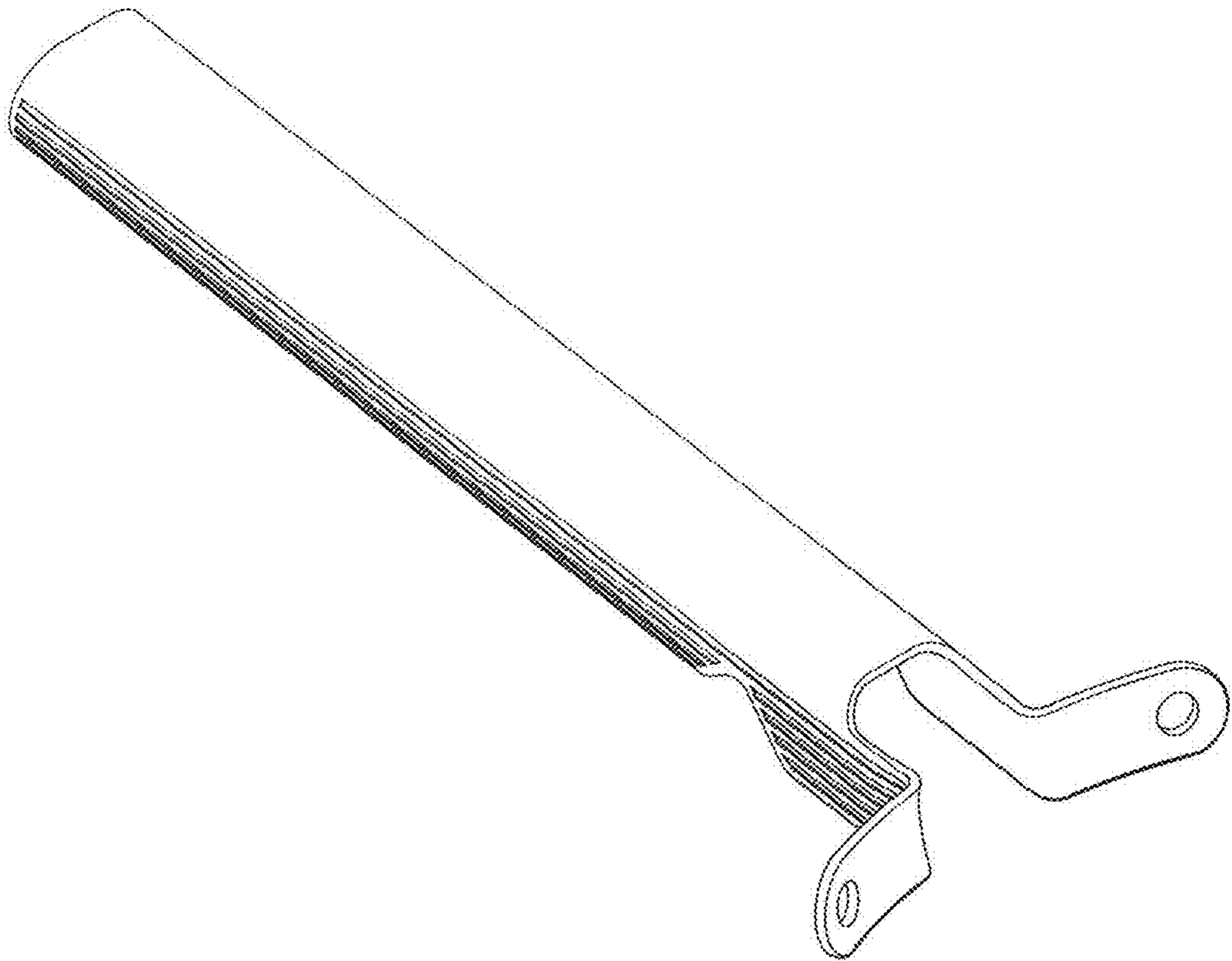
- 1. Cookware handle
- 1.1 : Front-side perspective view
- 1.2 : Front
- 1.3 : Back
- 1.4 : Right-side view
- 1.5 : Left-side view
- 1.6 : Top-plan view
- 1.7 : Bottom

The broken line shown is for the purpose of illustrating portions of the cookware handle and forms no part of the claimed design.

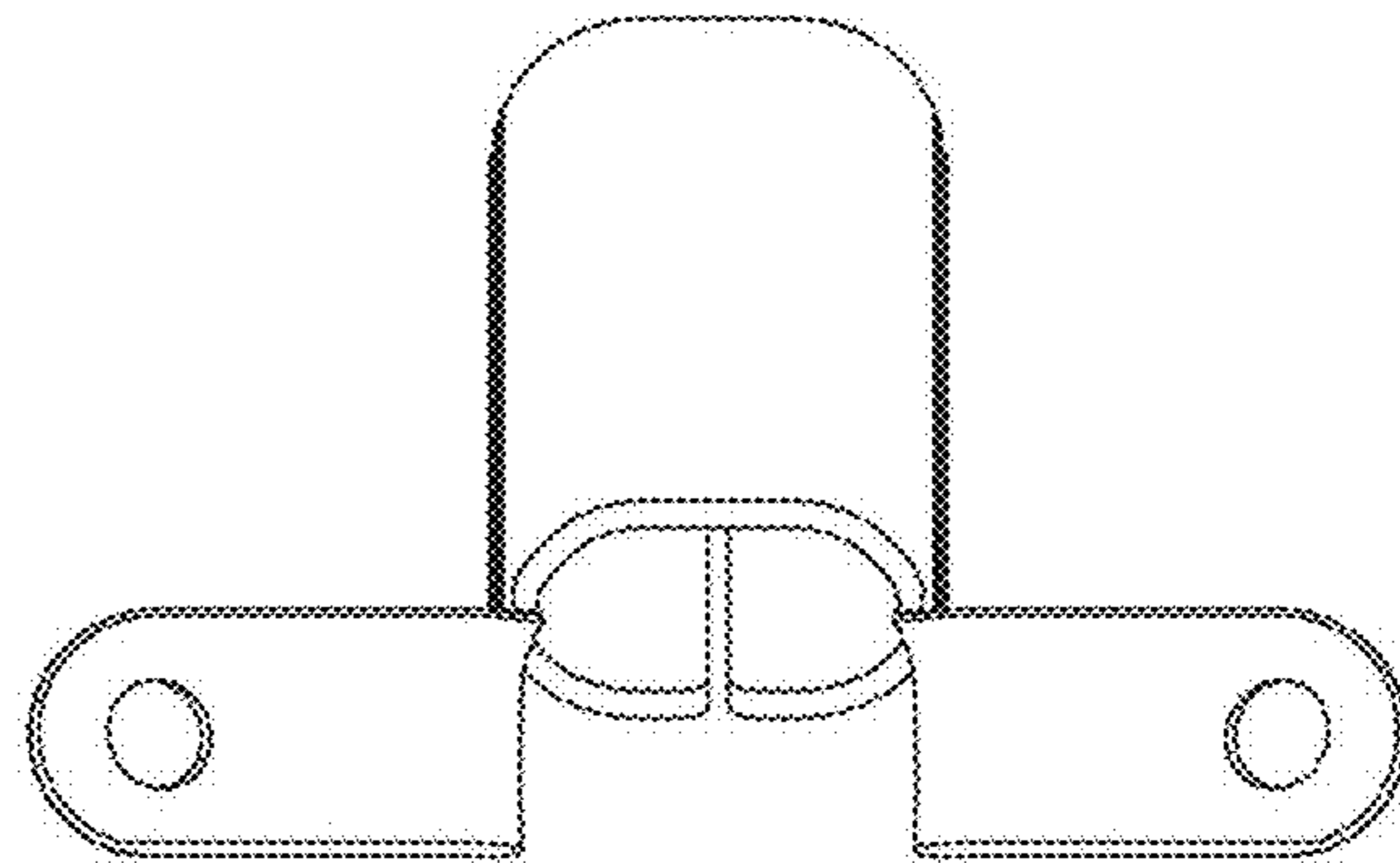
**1 Claim, 7 Drawing Sheets**



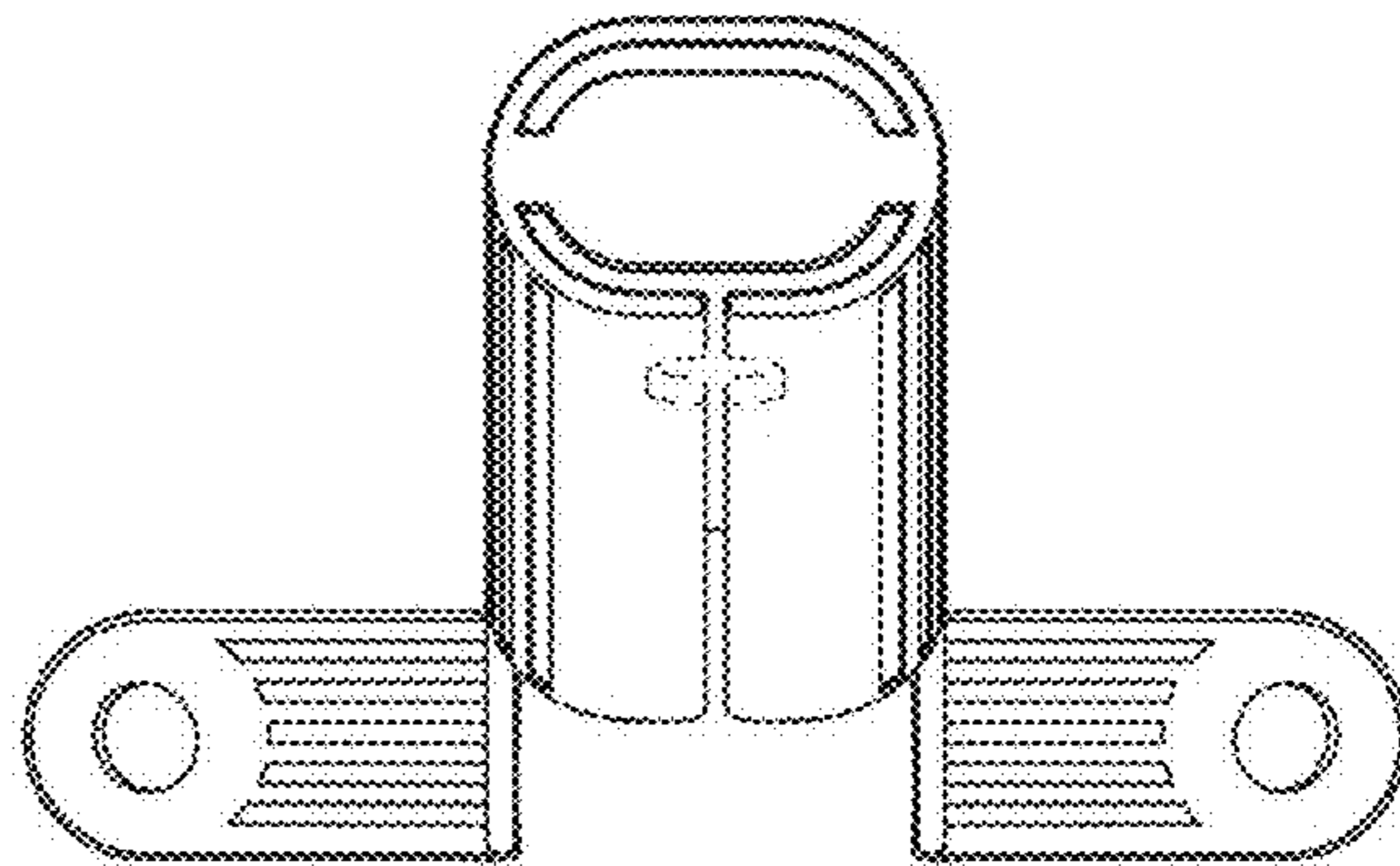
1.1



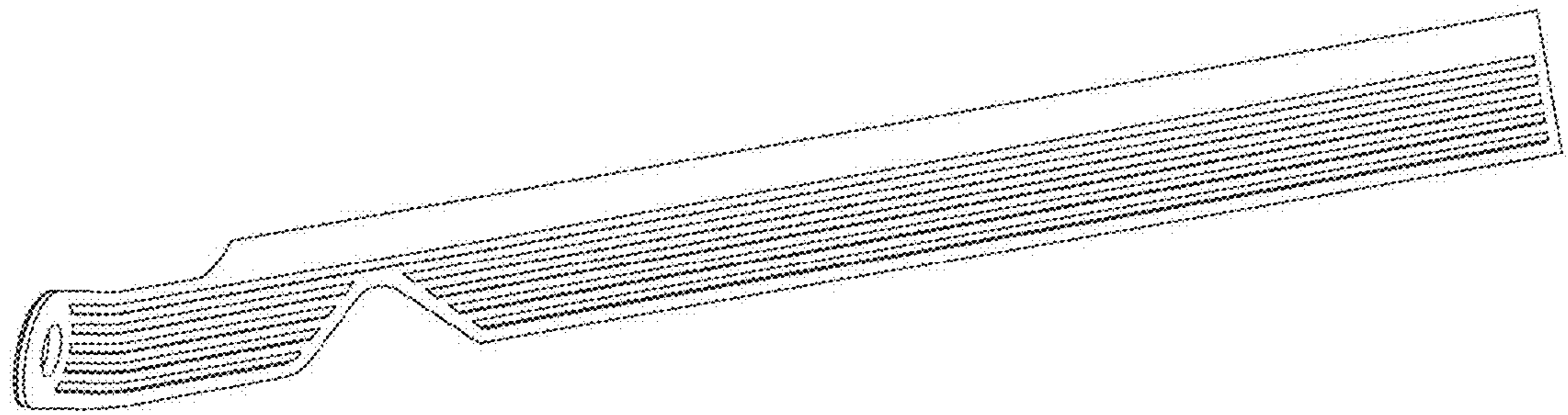
1.2



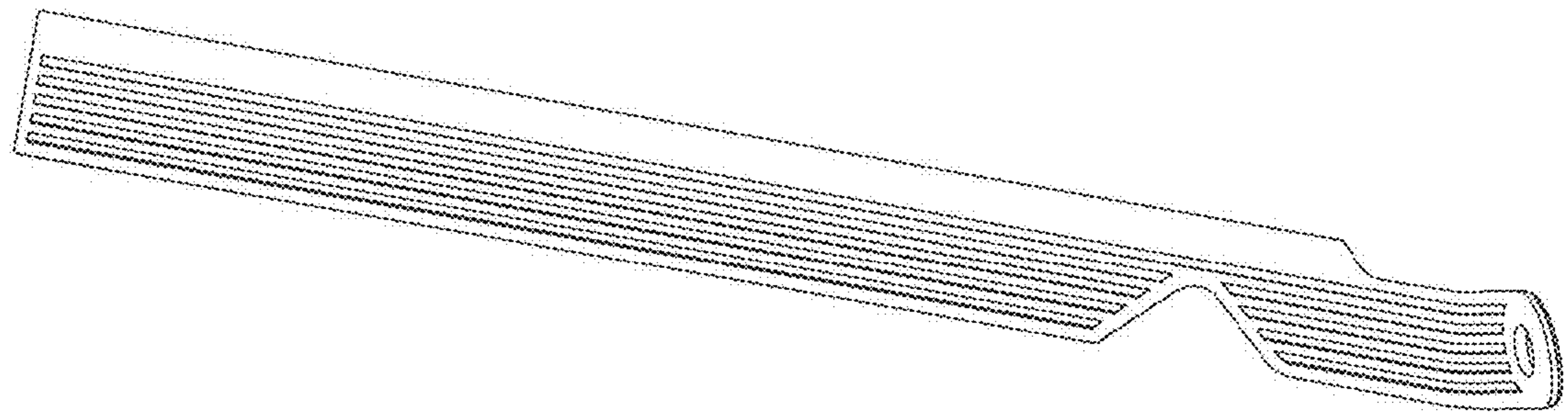
1.3



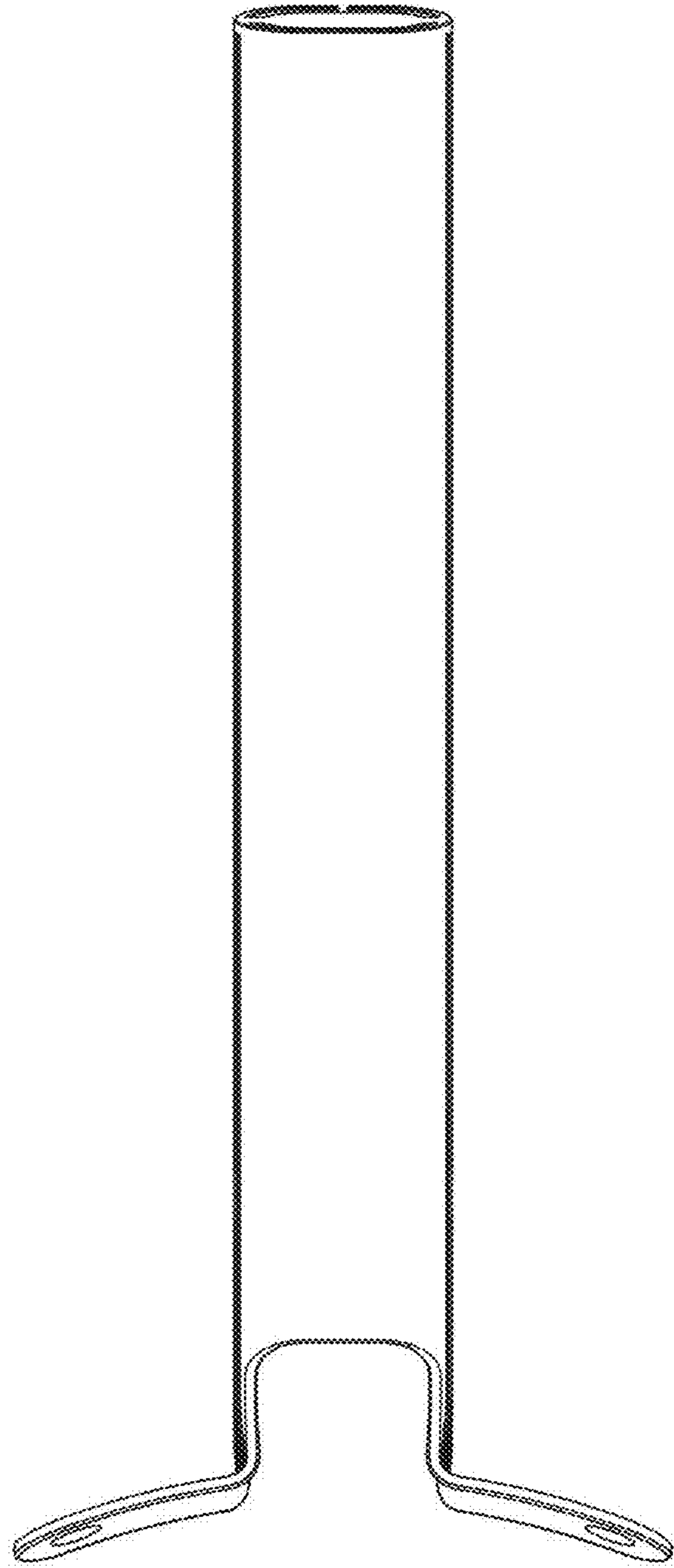
1.4



1.5



1.6



1.7

