



US00D920038S

(12) **United States Design Patent** (10) **Patent No.:** **US D920,038 S**
Thompson (45) **Date of Patent:** **** May 25, 2021**

(54) **HANDLE FOR KITCHEN UTENSIL**

(71) Applicant: **BLACK & DECKER INC.**, New Britain, CT (US)

(72) Inventor: **Samuel P. Thompson**, Newcastle Upon Tyne (GB)

(73) Assignee: **BLACK & DECKER INC.**, New Britain, CT (US)

(**) Term: **15 Years**

(21) Appl. No.: **29/652,098**

(22) Filed: **May 12, 2020**

(51) **LOC (13) Cl.** **07-02**

(52) **U.S. Cl.**
USPC **D7/395**

(58) **Field of Classification Search**
 USPC D7/393-395, 401.2, 402, 664, 688, 691,
 D7/692, 693, 694; D8/107, 300, 303;
 D4/138
 CPC A47J 43/28; A47J 43/283; A47J 43/288;
 B25G 1/00; B25G 1/01; B25G 1/02;
 B25G 1/10; B25G 1/102; Y10T 16/476
 See application file for complete search history.

(56) **References Cited**

U.S. PATENT DOCUMENTS

D284,634 S *	7/1986	Sumikama	D7/393
D323,095 S *	1/1992	Usbeck	D7/395
D514,377 S *	2/2006	Brownell	D7/395
D590,657 S *	4/2009	Curtin	D7/395
D690,153 S *	9/2013	Zemel	D7/395
D846,942 S *	4/2019	Wang	D7/395

* cited by examiner

Primary Examiner — Cynthia M. Chin

(74) *Attorney, Agent, or Firm* — Adan Ayala

(57) **CLAIM**

The ornamental design for a handle for kitchen utensil, as shown and described.

DESCRIPTION

FIG. 1 is a front perspective view of a handle for kitchen utensil according to the invention.

FIG. 2 is a front view of the handle of FIG. 1.

FIG. 3 is a rear view of the handle of FIG. 1.

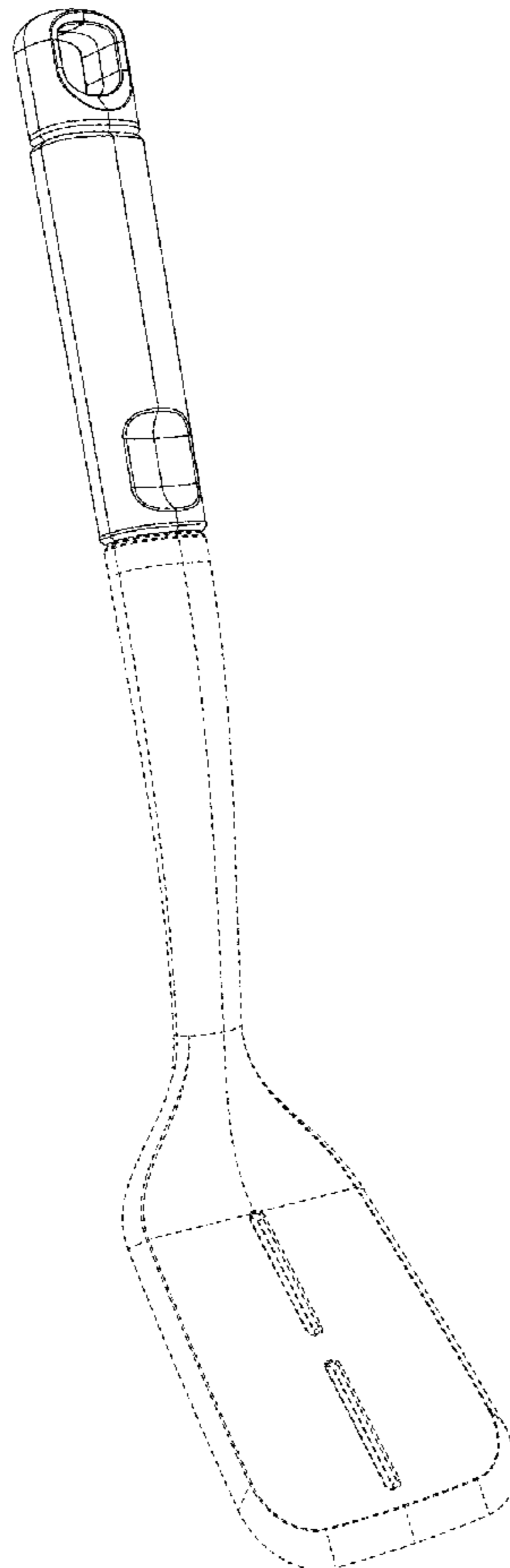
FIG. 4 is a right side view of the handle of FIG. 1.

FIG. 5 is a left side view of the handle of FIG. 1; and,

FIG. 6 is a top plan view of the handle of FIG. 1.

The broken lines represent the environment in which the article resides and forms no part of the claimed design.

1 Claim, 6 Drawing Sheets



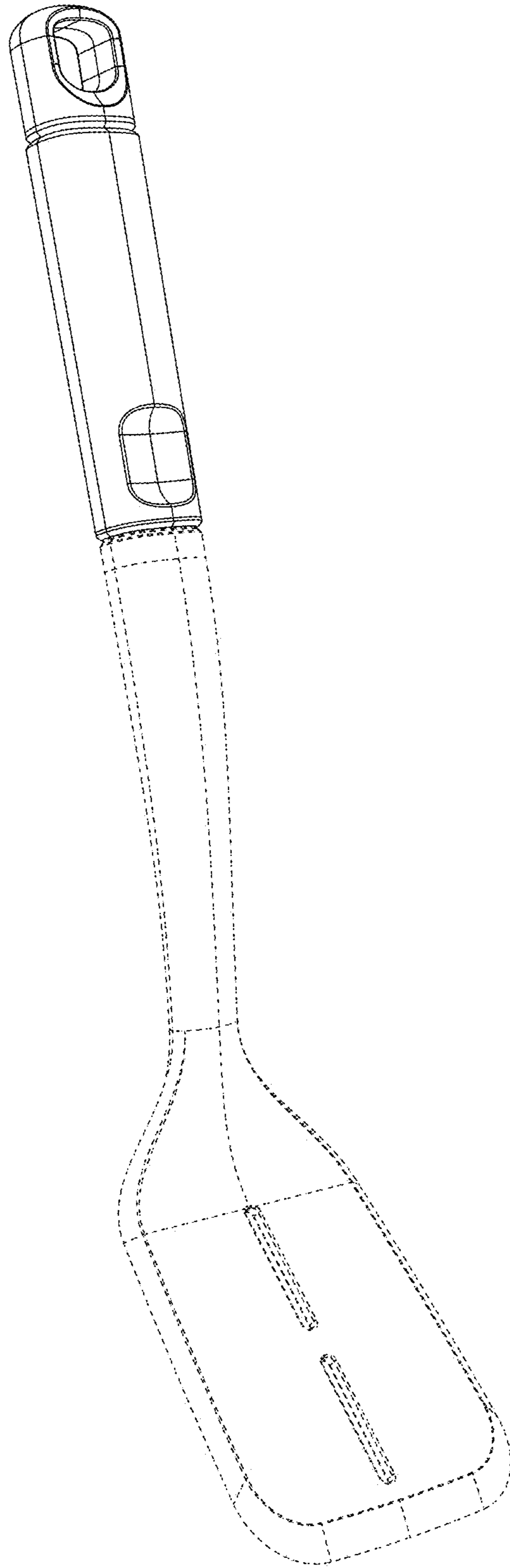


FIG. 1

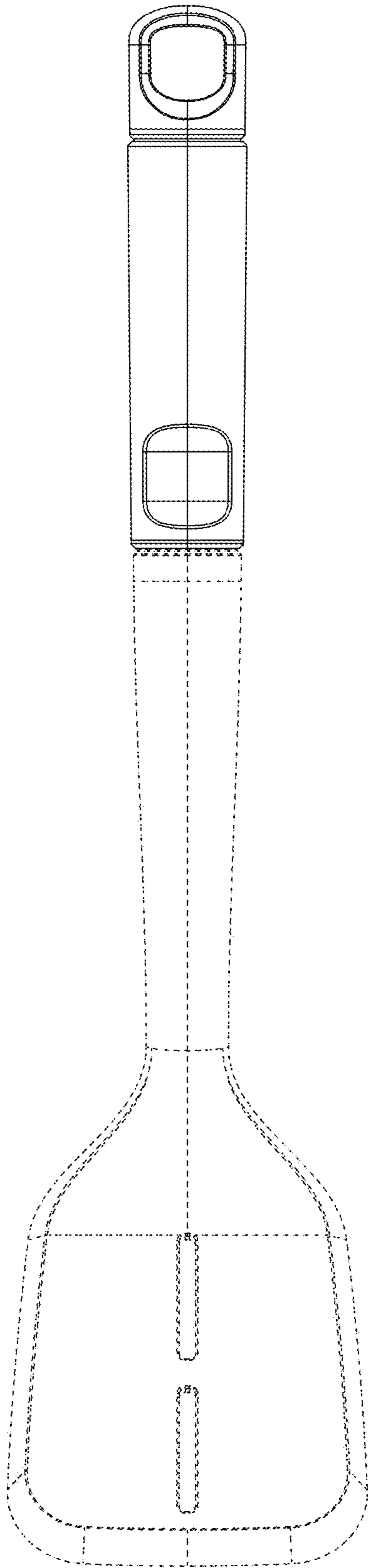


FIG. 2

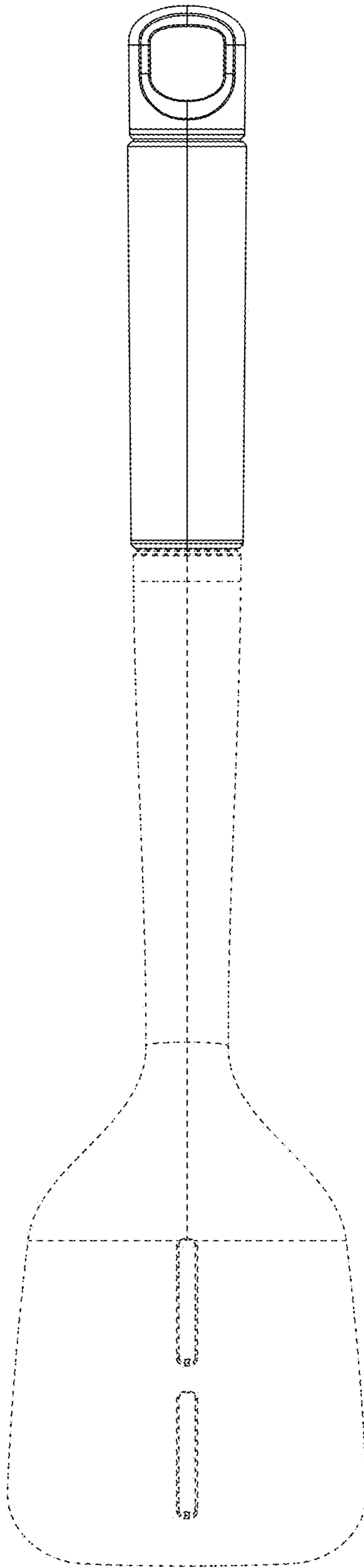


FIG. 3

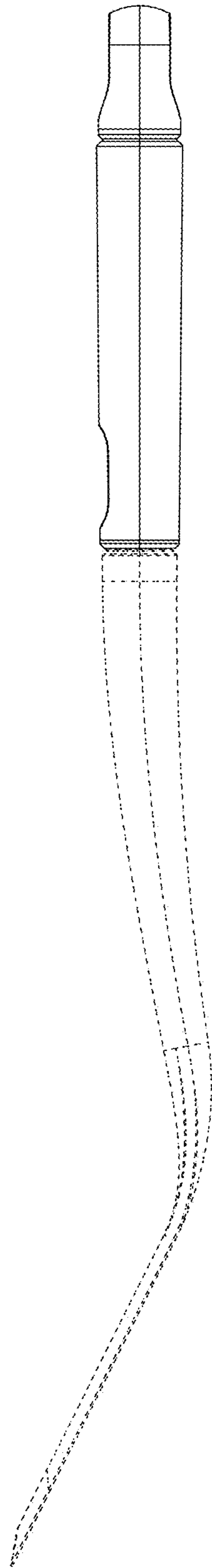


FIG. 4

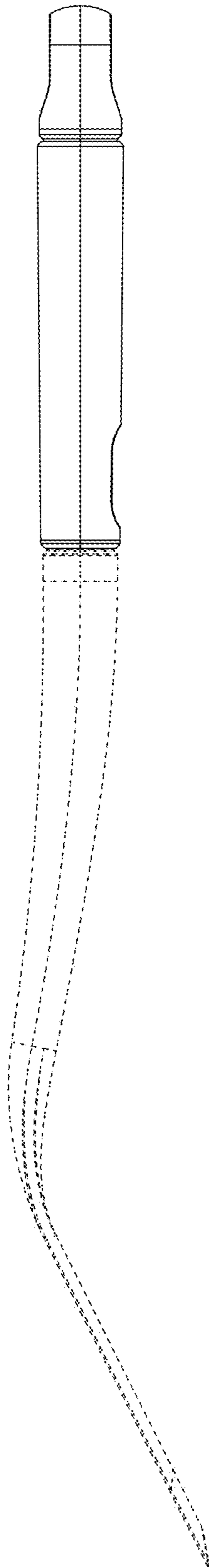


FIG. 5

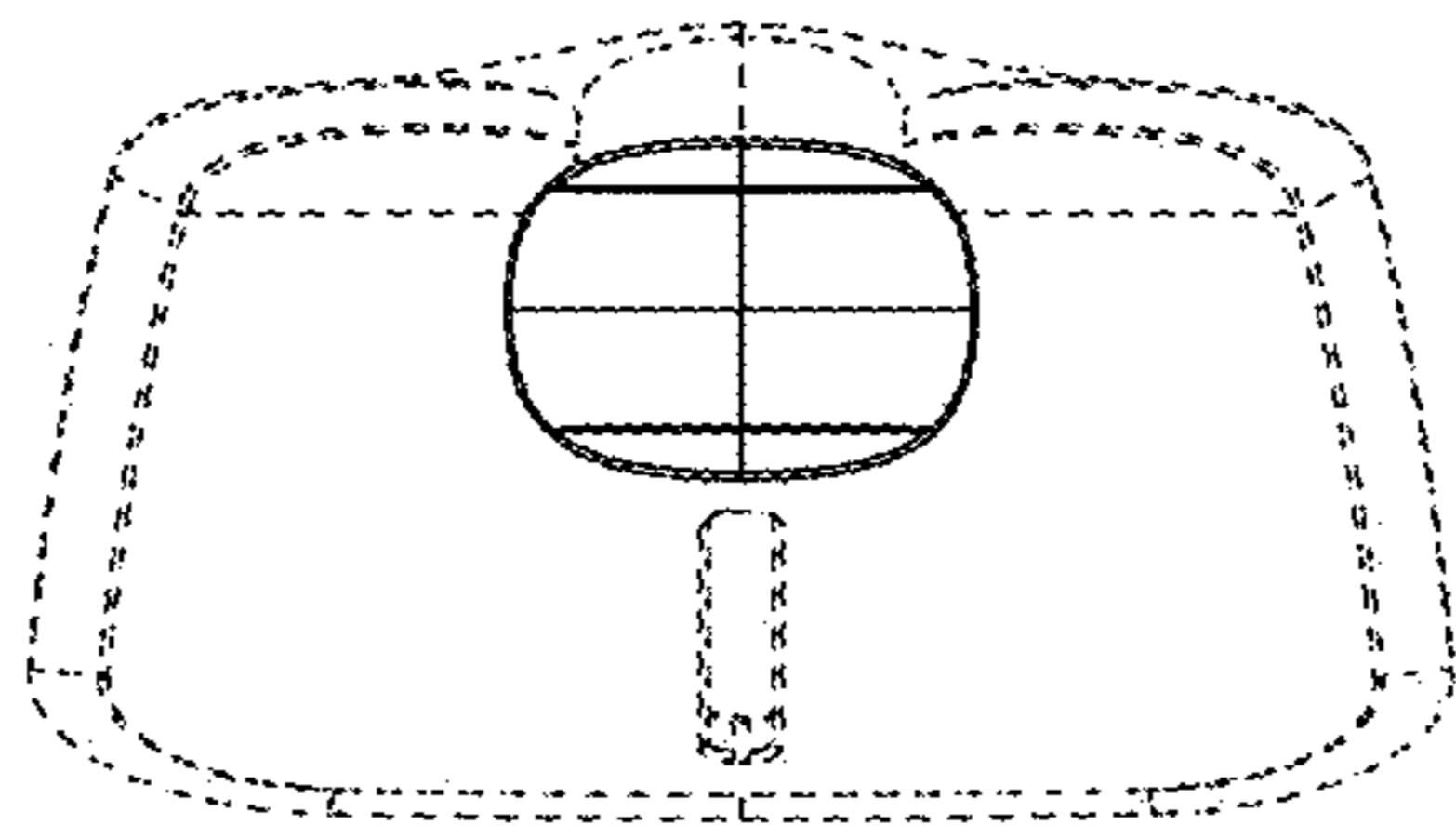


FIG. 6