



US00D920037S

(12) **United States Design Patent**
Wadsworth

(10) **Patent No.:** **US D920,037 S**

(45) **Date of Patent:** **** May 25, 2021**

(54) **CONTAINER LID**

(71) Applicant: **Hydrojug, LLC**, Ogden, UT (US)

(72) Inventor: **Hayden Wadsworth**, Ogden, UT (US)

(73) Assignee: **Hydrojug, Inc.**, Ogden, UT (US)

(**) Term: **15 Years**

(21) Appl. No.: **29/725,579**

(22) Filed: **Feb. 26, 2020**

(51) **LOC (13) Cl.** **07-01**

(52) **U.S. Cl.**

USPC **D7/392.1**; D7/396.2; D9/443

(58) **Field of Classification Search**

USPC D3/201, 202; D7/300, 300.1, 317, 321,
D7/392, 392.1, 396.2, 601, 602, 619.1,
D7/629; D9/434–436, 440, 443–447,
D9/449, 452–454, 499

CPC B65D 41/0435; B65D 47/121; B65D
47/122; B65D 47/0895; B65D 51/18;
B65D 51/242; B65D 53/00; B65D
81/3869

See application file for complete search history.

(56) **References Cited**

U.S. PATENT DOCUMENTS

D739,174 S *	9/2015	Elsaden	D7/392.1
D739,674 S *	9/2015	Bergstrom	D7/300.1
D742,230 S *	11/2015	Charles	D9/449
D747,624 S *	1/2016	Walker	D7/392.1
D748,430 S *	2/2016	Sorensen	D7/392.1
D751,344 S *	3/2016	Charlton	D7/510
D752,382 S *	3/2016	Ksiazek	D7/392.1
D752,390 S *	3/2016	Ksiazek	D7/510
D755,562 S *	5/2016	Lindsay	D7/392.1
D758,127 S *	6/2016	Zhao	D7/392.1
D766,029 S *	9/2016	Lin	D7/300.1
D779,872 S *	2/2017	Bergstrom	D7/392.1

D806,467 S *	1/2018	Yao	D7/392.1
D810,500 S *	2/2018	Maple	D7/392.1
D820,038 S *	6/2018	Sorensen	D7/392.1
D833,224 S *	11/2018	Wahlkvist	D7/510
D835,938 S *	12/2018	Zou	D7/392.1
D887,202 S *	6/2020	Wadsworth	D7/392.1
D887,775 S *	6/2020	Bo	D7/392.1
D899,846 S *	10/2020	Wang	D7/392.1
D900,540 S *	11/2020	Sorensen	D7/392.1
D911,169 S *	2/2021	Matauch	D9/447
D911,770 S *	3/2021	Ludolph	D7/392.1

OTHER PUBLICATIONS

Hydrojug. Replacement Parts. No date specified, <https://www.thehydrojug.com/collections/replacement-parts> (Year: 0).*

Amazon. BlenderBottle Shaker Bottle with Pill Organizer and Storage for Protein Powder, ProStak System, 22-Ounce, Black/White. Apr. 16, 2014. <https://amzn.to/2NIMVE3> (Year: 2014).*

* cited by examiner

Primary Examiner — Darcey E Gottschalk

(74) *Attorney, Agent, or Firm* — Preston P. Frischknecht; Project CIP

(57) **CLAIM**

The ornamental design for a container lid, as shown and described.

DESCRIPTION

FIG. 1 is a perspective view;

FIG. 2 is a first side view;

FIG. 3 is a second side view;

FIG. 4 is a third side view;

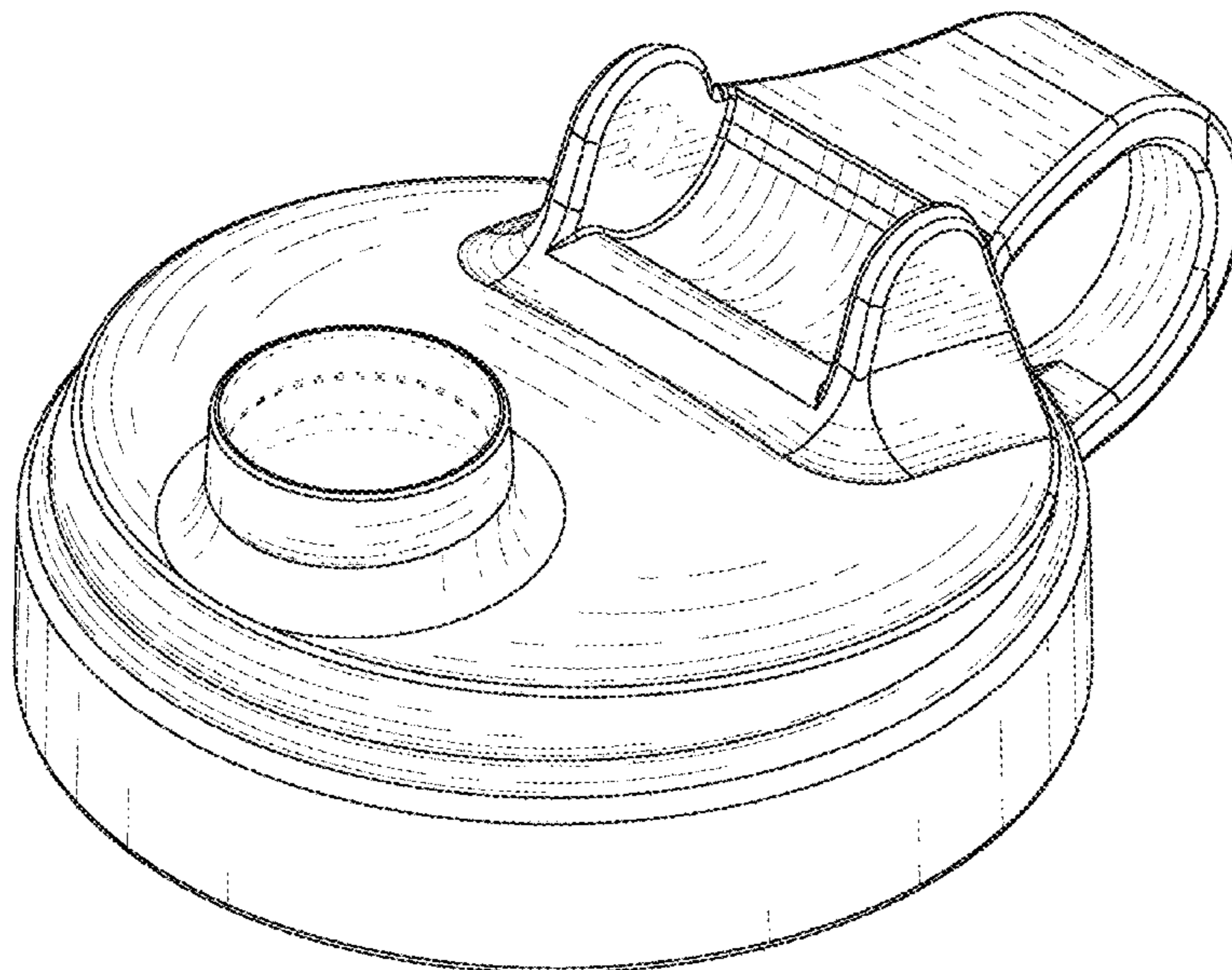
FIG. 5 is a fourth side view;

FIG. 6 is a top view; and,

FIG. 7 is a bottom view.

The dashed lines depict portions of the container lid that form no part of the claimed design.

1 Claim, 7 Drawing Sheets



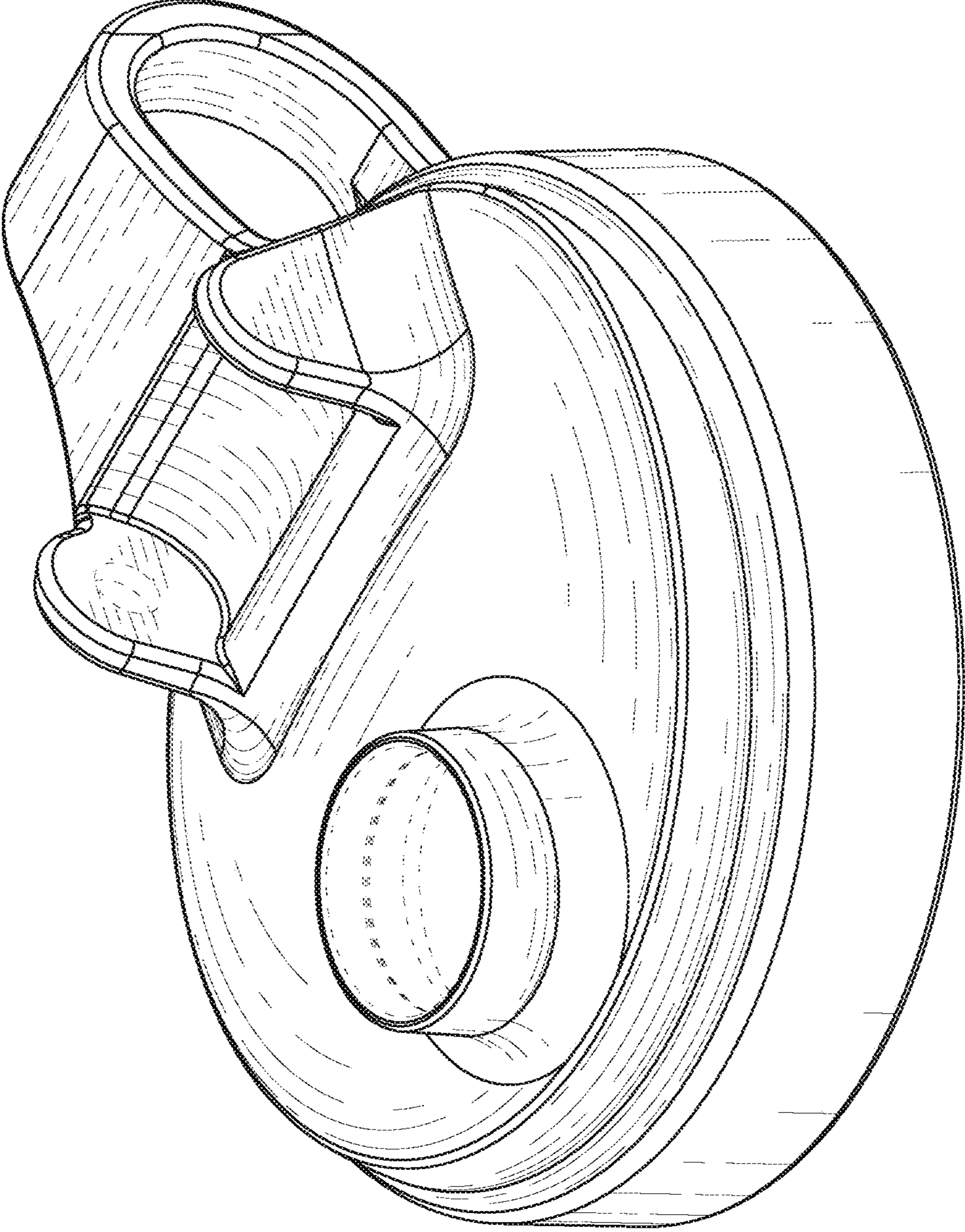


FIG. 1

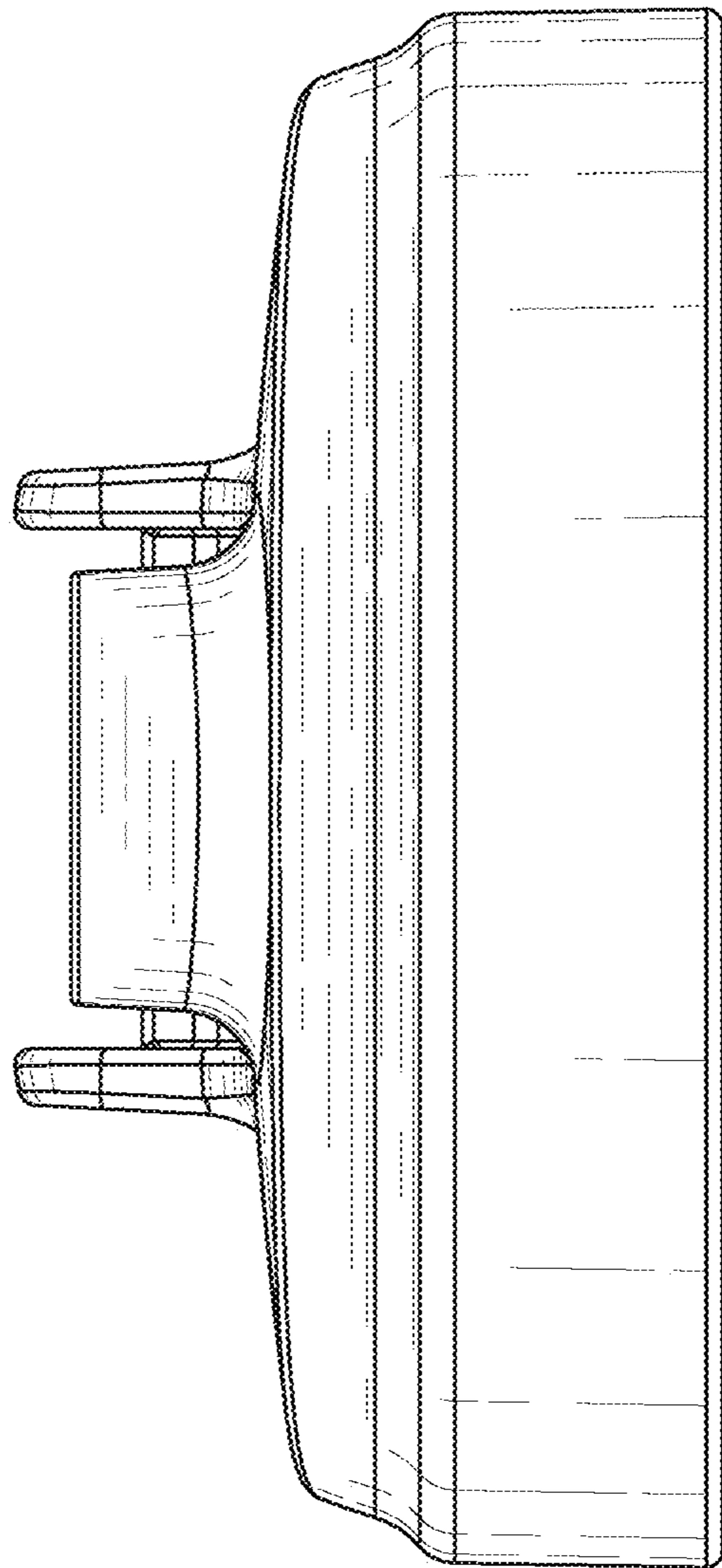


FIG. 2

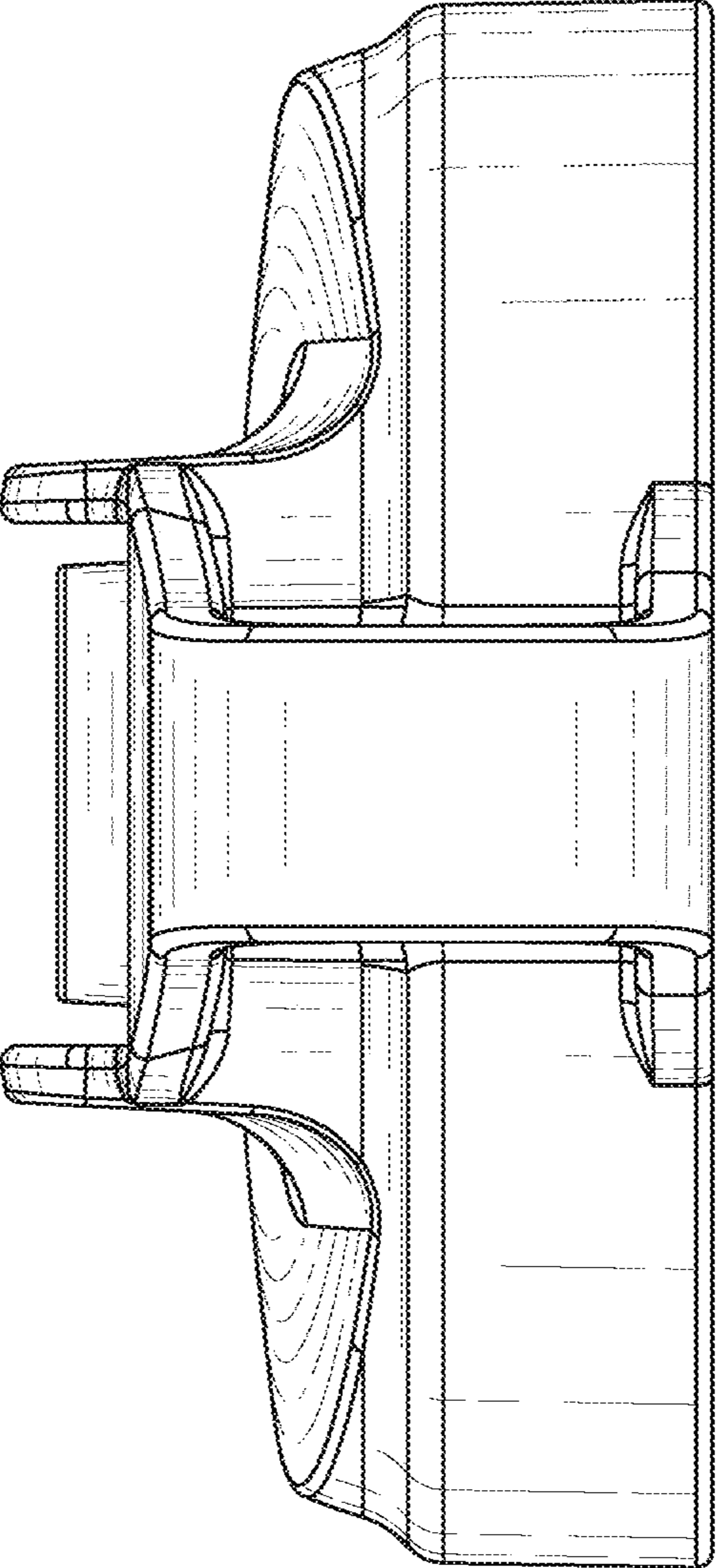


FIG. 3

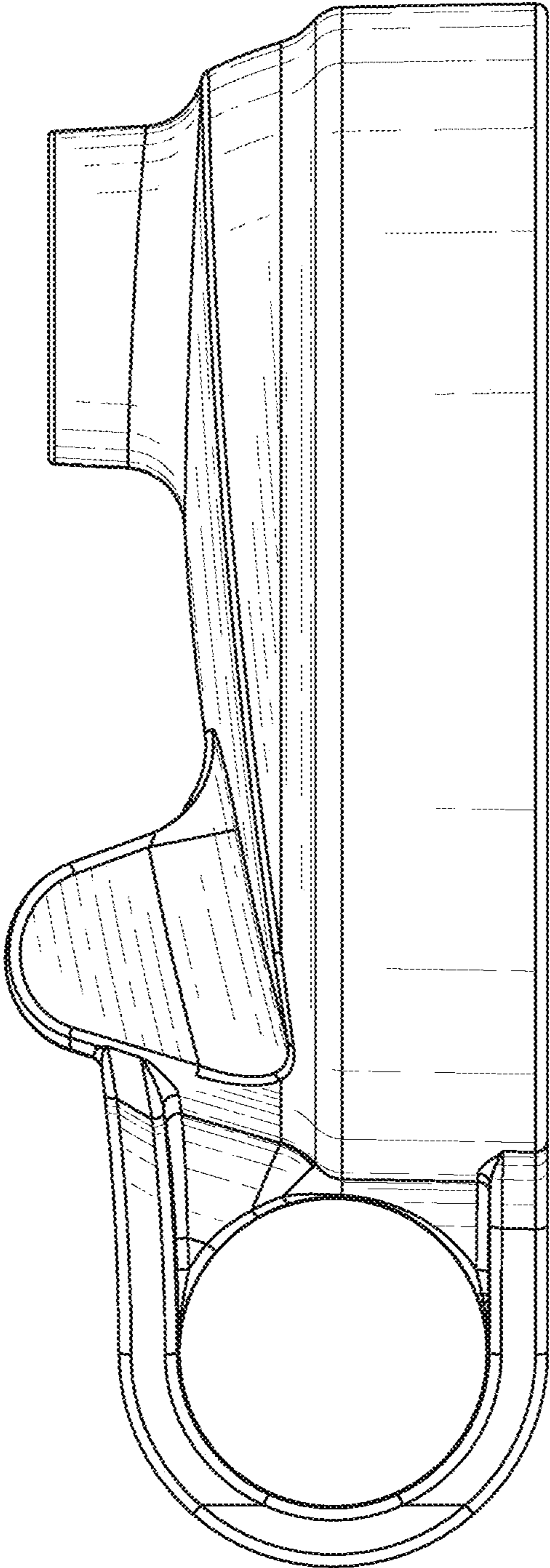


FIG. 4

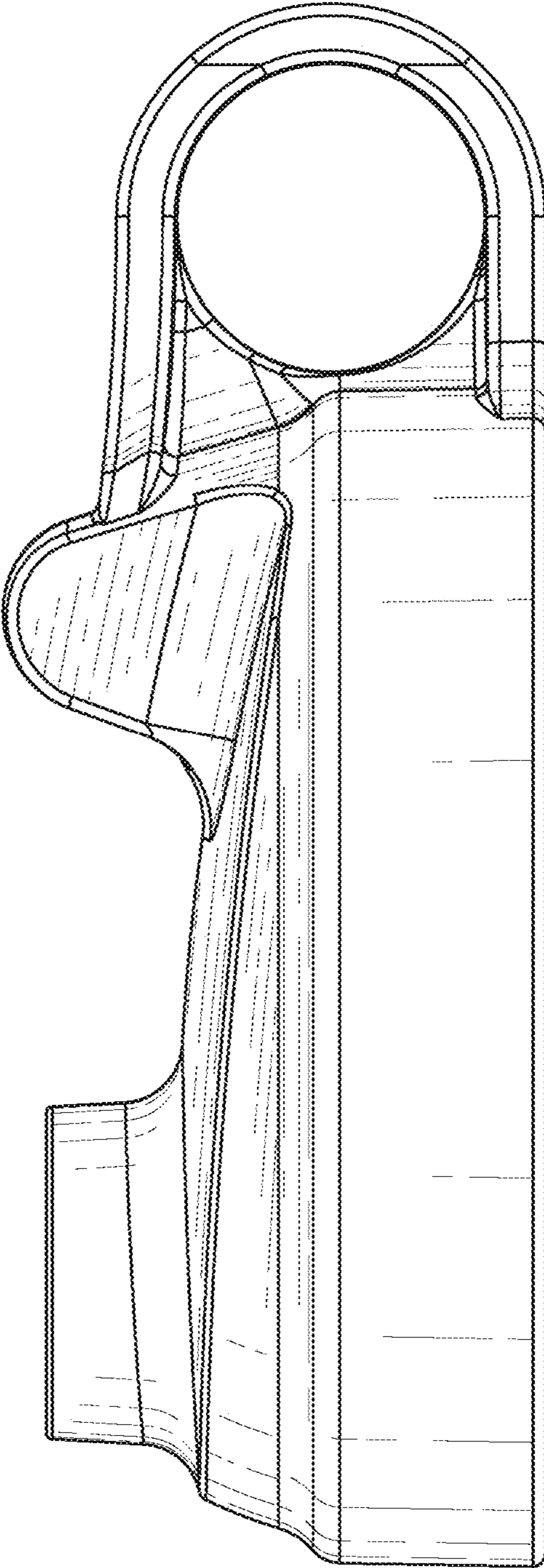


FIG. 5

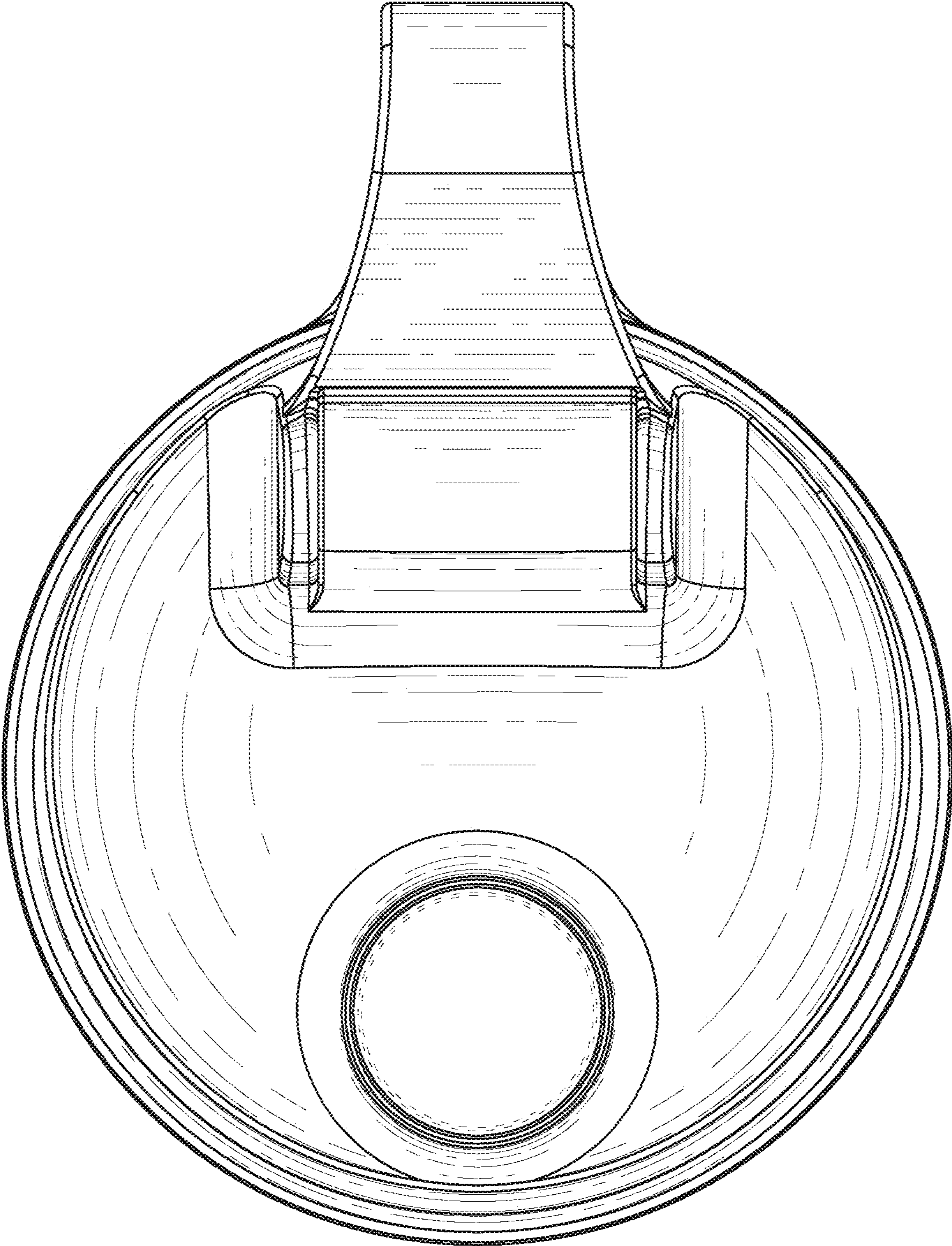


FIG. 6

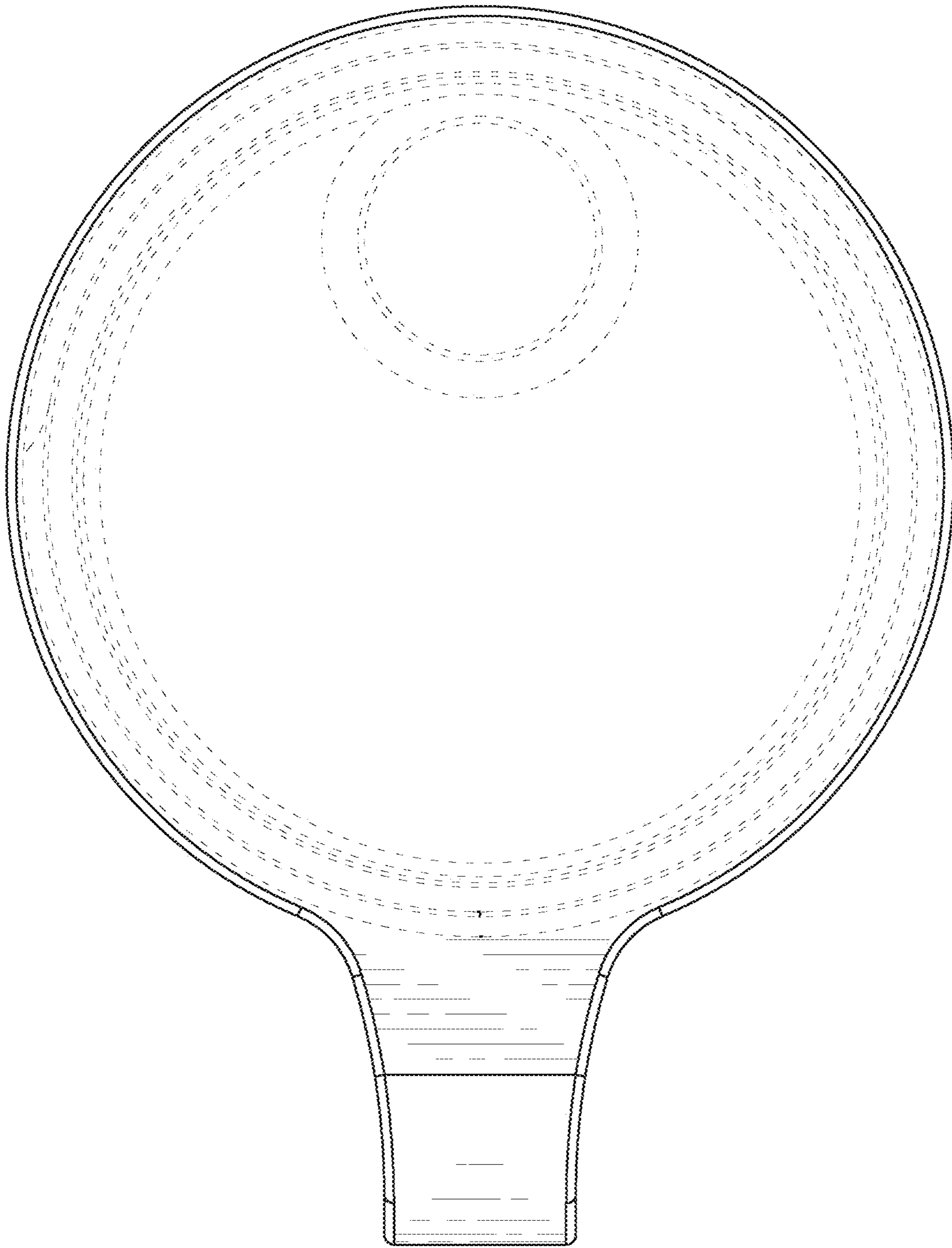


FIG. 7