



US00D920036S

(12) **United States Design Patent** (10) **Patent No.:** **US D920,036 S**
Hartley et al. (45) **Date of Patent:** **** May 25, 2021**

(54) **CONTAINER LID**

(71) Applicant: **The Decor Corporation Pty. Ltd.**,
Dandenong South (AU)
(72) Inventors: **Toby Hartley**, Keysborough (AU);
George Kotsiopoulos, Keysborough
(AU); **Alexander Schoenmakers**,
Keysborough (AU); **Justin Armistead**,
Keysborough (AU)
(73) Assignee: **The Decor Corporation Pty. Ltd.**,
Dandenong South (AU)

(**) Term: **15 Years**

(21) Appl. No.: **29/700,133**

(22) Filed: **Jul. 31, 2019**

(30) **Foreign Application Priority Data**

Feb. 5, 2019 (AU) 201910609

(51) **LOC (13) Cl.** **07-99**

(52) **U.S. Cl.**
USPC **D7/392.1**

(58) **Field of Classification Search**

USPC D24/121, 127, 227; D30/123, 121,
D30/129-133; D3/201, 272, 294, 318;
D9/661, 664, 707, 732, 736, 743, 744,
D9/745, 755, 756, 761, 414, 424, 439,
D9/434, 435, 436, 451, 455, 456;
D7/360, 511, 542, 629, 705, 538, 550.1,
D7/551.1, 601, 602, 354, 387, 388, 391,
D7/392, 392.1, 396.1, 701, 703, 707, 708,
D7/756, 761
CPC ... B65D 1/00; B65D 1/30; B65D 1/34; B65D
1/36; B65D 2543/00842; B65D 65/466;
B65D 25/04; B65D 25/00; B65D 41/12;
B65D 2205/00; B65D 51/1683
See application file for complete search history.

(56) **References Cited**

U.S. PATENT DOCUMENTS

D106,808 S * 11/1937 Perlman D7/391
5,762,228 A * 6/1998 Morgan B65D 47/0895
220/367.1
D416,170 S * 11/1999 Stucke, Jr. D7/392
D516,376 S * 3/2006 Kim D7/392.1
D527,218 S * 8/2006 Carlson D7/392
D562,624 S * 2/2008 Kortleven D7/392.1
D565,889 S * 4/2008 Laib D7/392.1
D590,666 S * 4/2009 Wang D7/629

(Continued)

OTHER PUBLICATIONS

Decor Delish Oblong Container: Announced Mar. 28, 2020 [online].
Site Visited [Sep. 20, 2020]. Available from Internet URL: <https://www.decor.com.au/product/decor-delish-1-0l-oblong/>.*

(Continued)

Primary Examiner — Catherine S Posthauer

(74) *Attorney, Agent, or Firm* — Stevens & Showalter
LLP

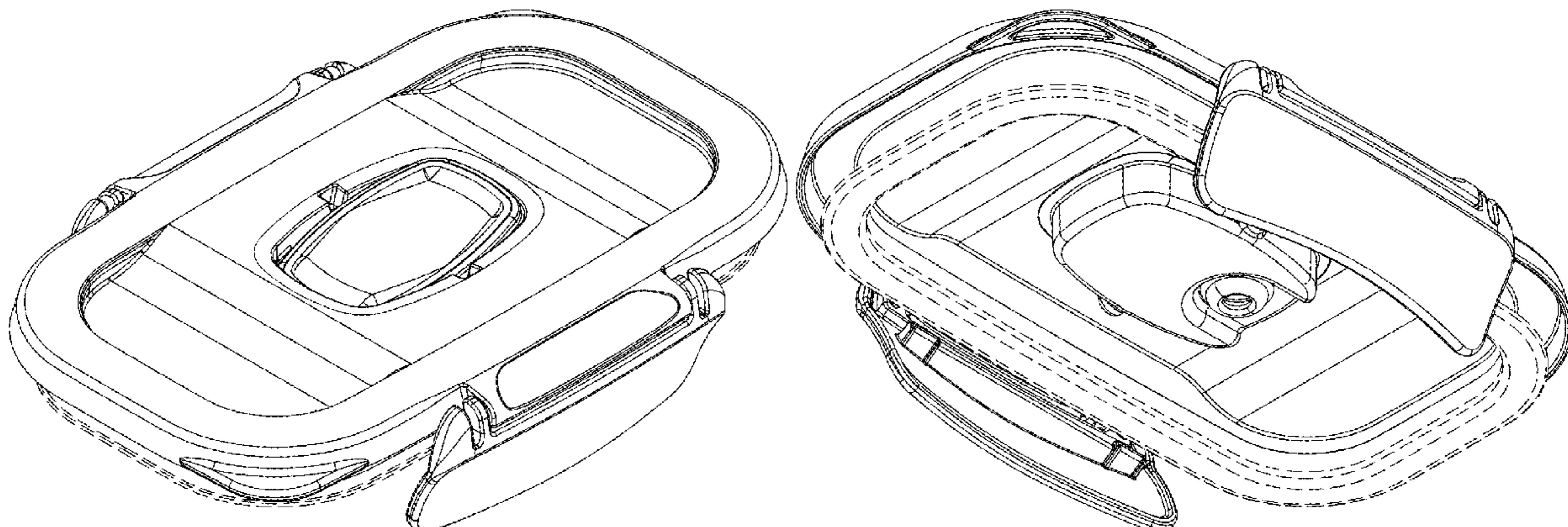
(57) **CLAIM**

The ornamental design for a container lid, as shown and
described.

DESCRIPTION

FIG. 1 is a top front perspective view of a container lid,
showing our new design;
FIG. 2 is a bottom rear perspective view thereof;
FIG. 3 is a top plan view thereof;
FIG. 4 is a bottom plan view thereof;
FIG. 5 is a front elevation view thereof;
FIG. 6 is a rear elevation view thereof;
FIG. 7 is left side elevation view thereof; and,
FIG. 8 is a right side elevation view thereof.
The broken lines shown in the drawings represent unclaimed
subject matter and form no part of the claimed design.

1 Claim, 4 Drawing Sheets



(56)

References Cited

U.S. PATENT DOCUMENTS

D595,085 S * 6/2009 Carlson D7/392
 D642,861 S * 8/2011 Samartgis D7/392.1
 D660,093 S * 5/2012 Kyung D7/629
 D660,094 S * 5/2012 Kyung D7/629
 D673,808 S * 1/2013 Grider D7/391
 D698,199 S * 1/2014 Yessin D7/392.1
 D700,010 S * 2/2014 Duvigneau D7/391
 D700,473 S * 3/2014 Duvigneau D7/391
 D704,503 S * 5/2014 Manley D7/391
 D735,524 S * 8/2015 Holding D7/392.1
 D760,035 S * 6/2016 Kim D7/629
 D811,160 S * 2/2018 Evans D7/392.1
 D821,808 S * 7/2018 Diner D7/391
 D828,716 S * 9/2018 Zhang D7/392.1
 D828,717 S * 9/2018 Zhang D7/392.1
 10,138,020 B2 * 11/2018 Gosen B65D 21/0204
 D837,588 S * 1/2019 Croft D7/391
 D845,701 S * 4/2019 Rummel D7/392.1
 D854,878 S * 7/2019 Duvigneau D7/391
 D869,228 S * 12/2019 Zhang D7/392.1
 D870,507 S * 12/2019 Whaley D7/391

D879,549 S * 3/2020 Zhang D7/391
 D892,541 S * 8/2020 Evans D7/392.1
 2003/0116572 A1 * 6/2003 Klock B65D 51/1683
 220/367.1
 2018/0265263 A1 * 9/2018 Li B65D 53/02
 2019/0359396 A1 * 11/2019 Wolters A47J 47/10
 2020/0140149 A1 * 5/2020 Ragias B65D 45/20

OTHER PUBLICATIONS

7 Piece Glass Food Storage Container Set: Announced Nov. 7, 2019 [online]. Site Visited Sep. 21, 2020. Available from Internet URL: https://www.vonhaus.com/vh_en/storage/7pc-glass-storage-container-set.*

Deluxe Clips Glass Oblong: Site Visited [Sep. 21, 2020], Available from Internet URL: <https://www.decor.com.au/wp-content/uploads/2020/08/clips-1L-700x620px-700x620.png>.*

Rubbermaid Food Storage Container: Announced Jan. 2, 2017 [online]. Site Visited [Sep. 21, 2020], Available from Internet URL: <https://www.walmart.com/ip/Rubbermaid-Brilliance-Food-Storage-Containers-10-Piece-Set/54297078>.*

* cited by examiner

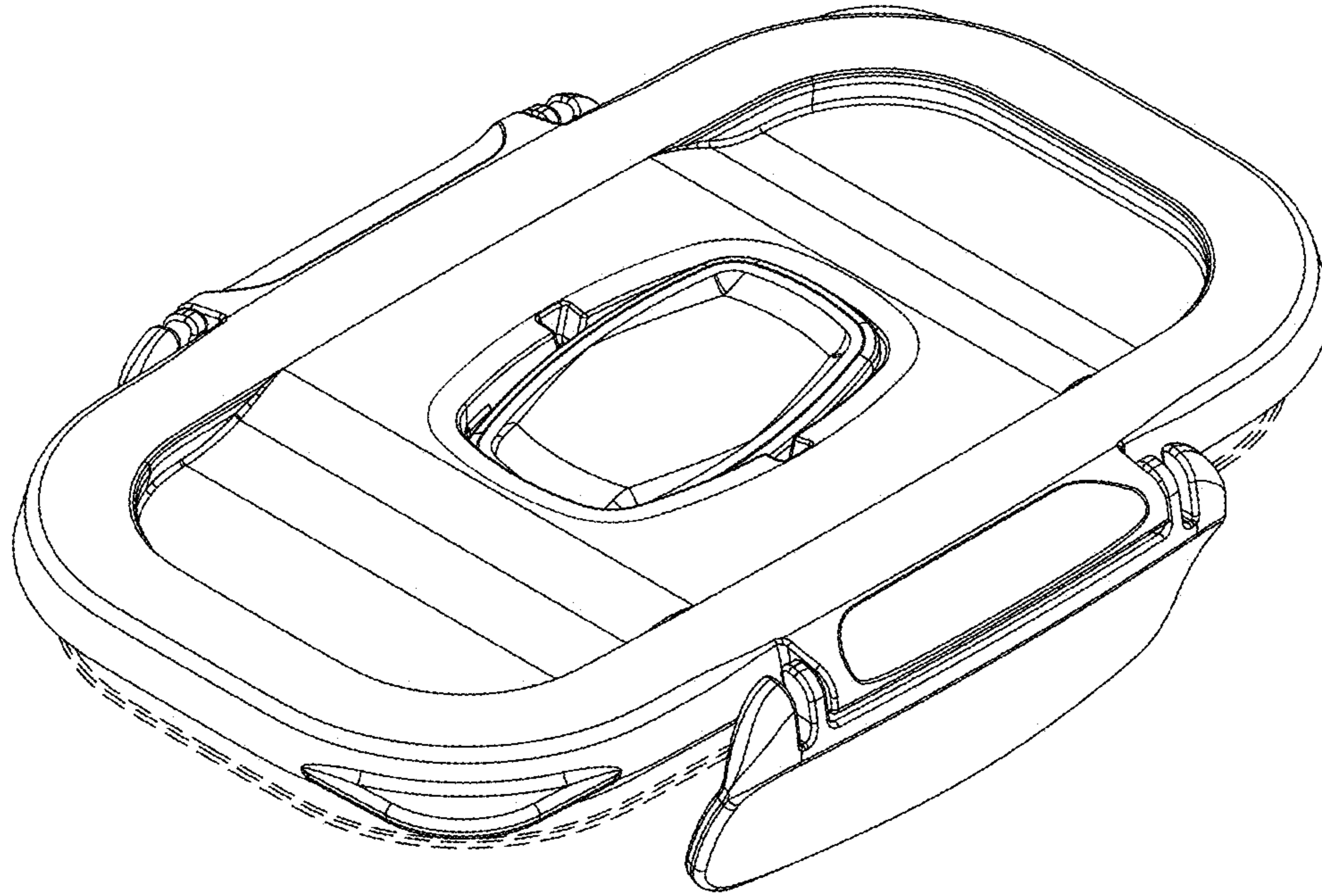


FIG. 1

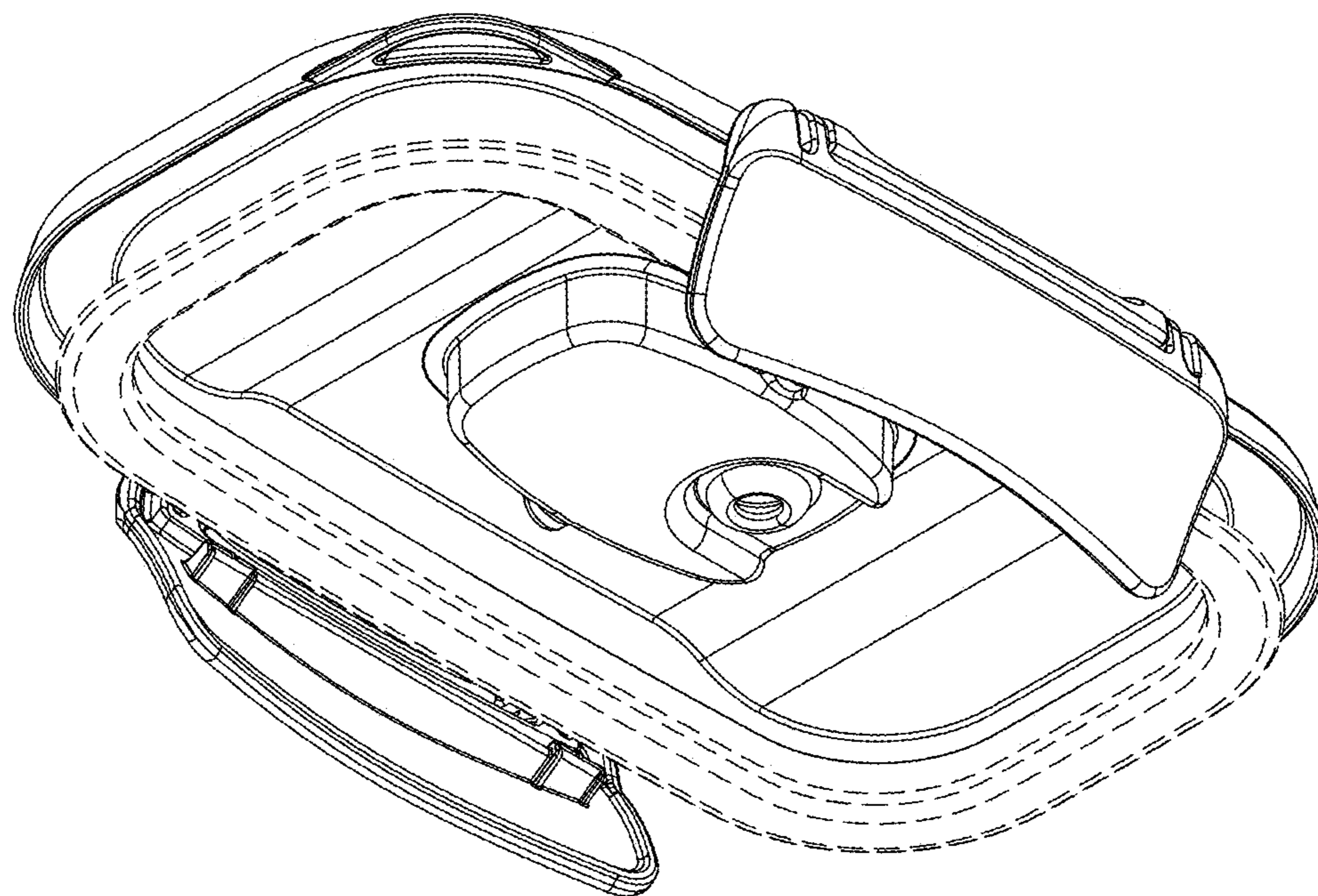


FIG. 2

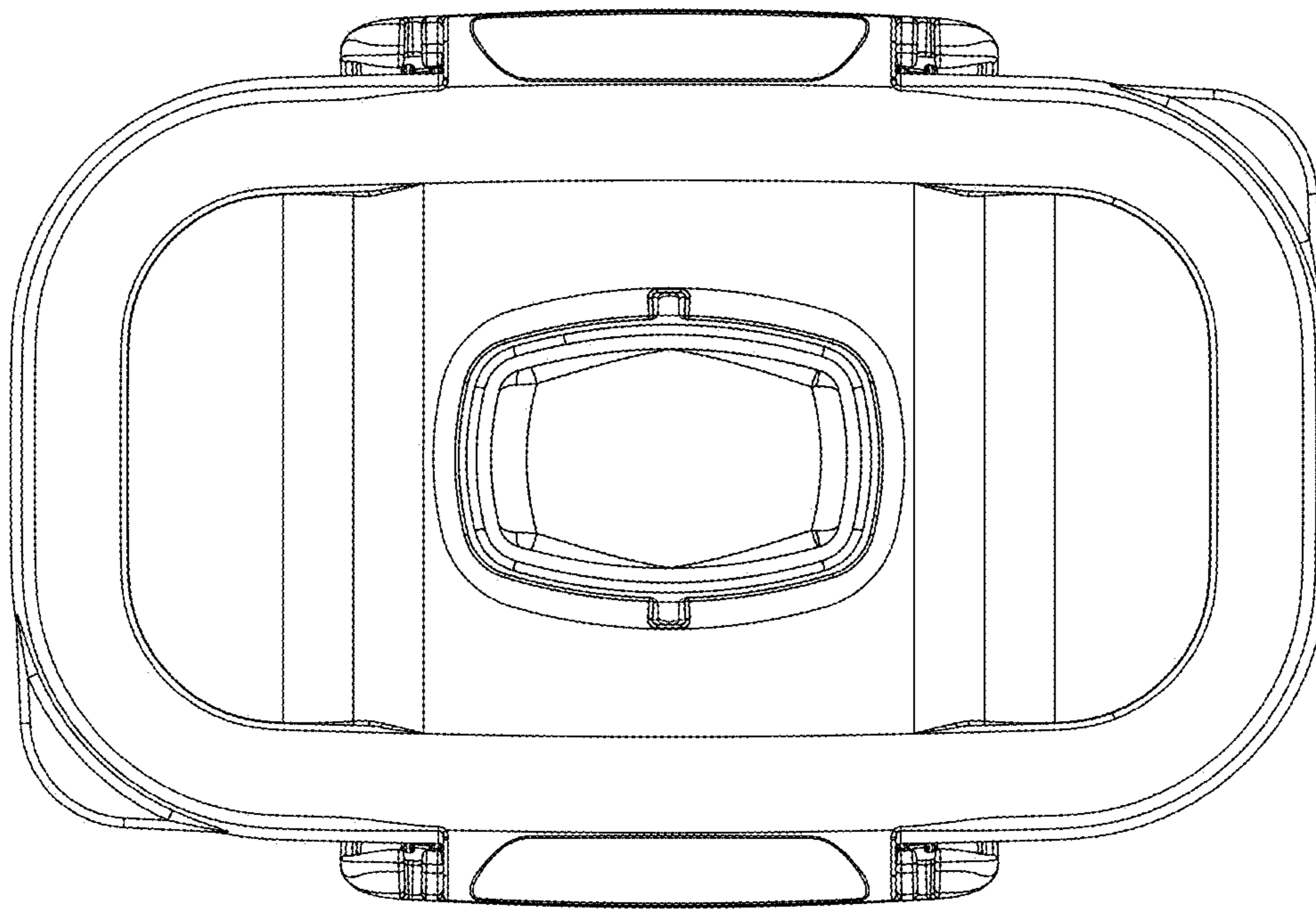


FIG. 3

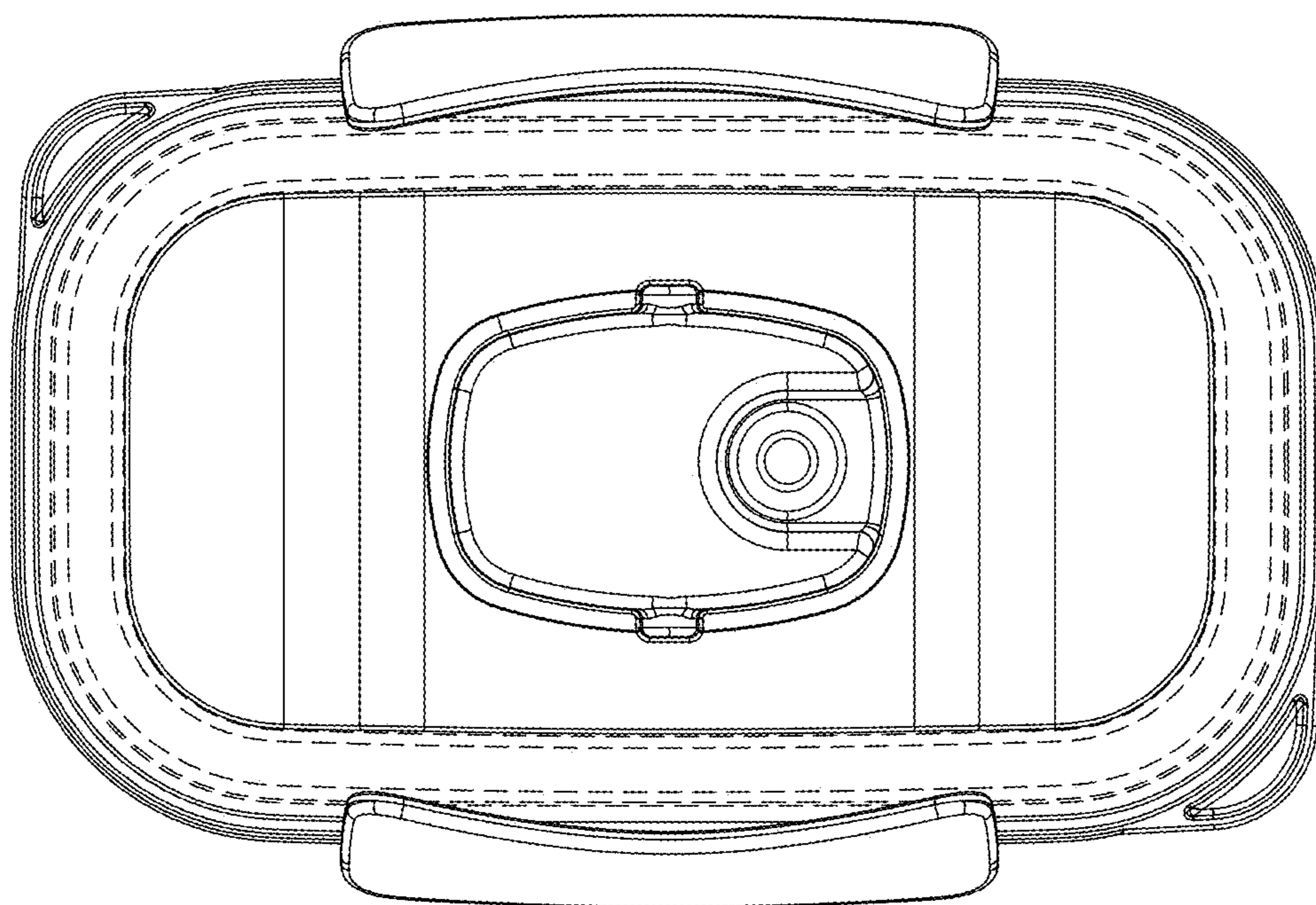


FIG. 4

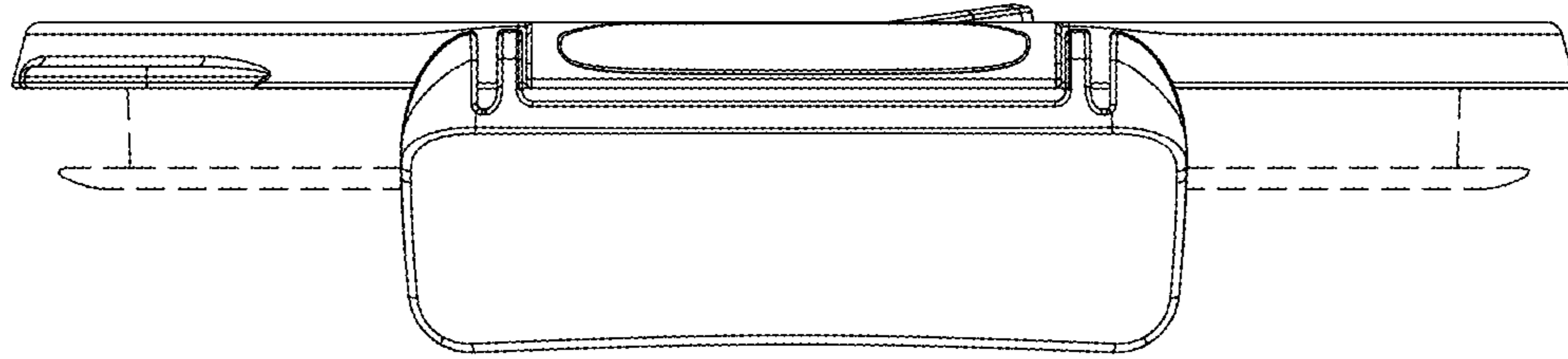


FIG. 5

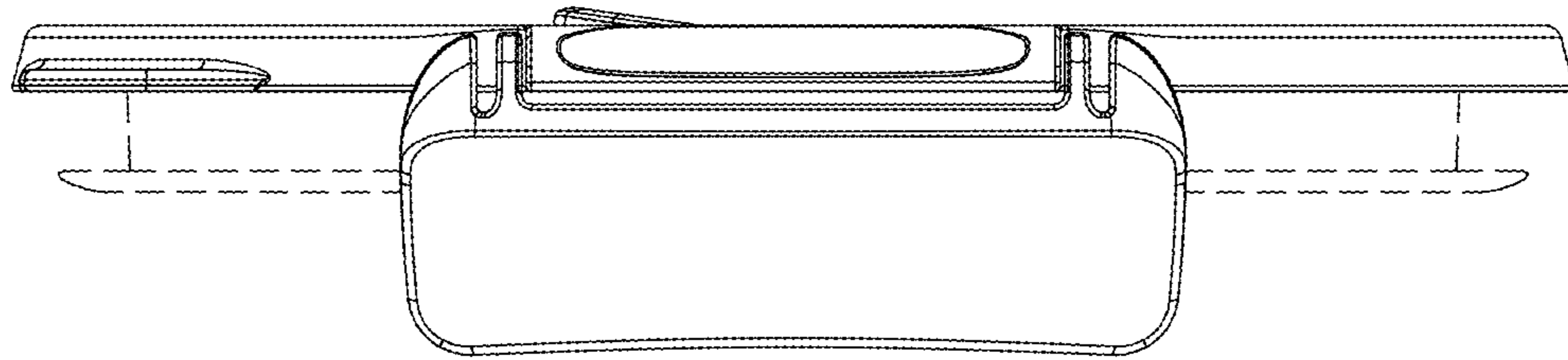


FIG. 6

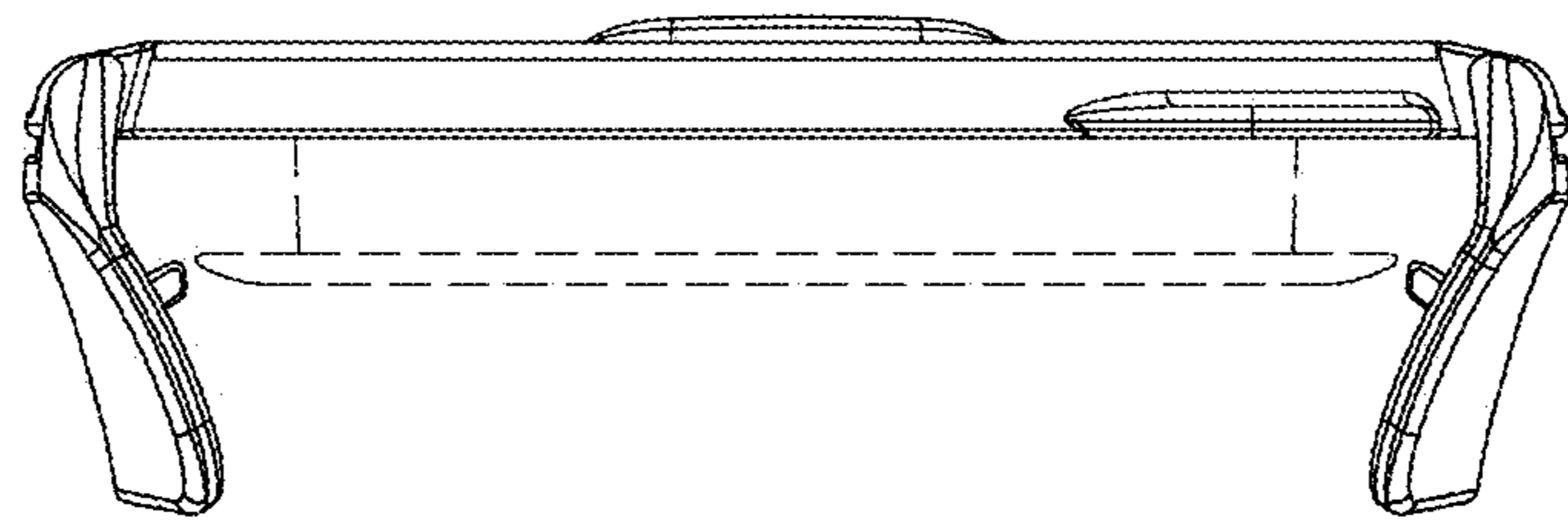


FIG. 7

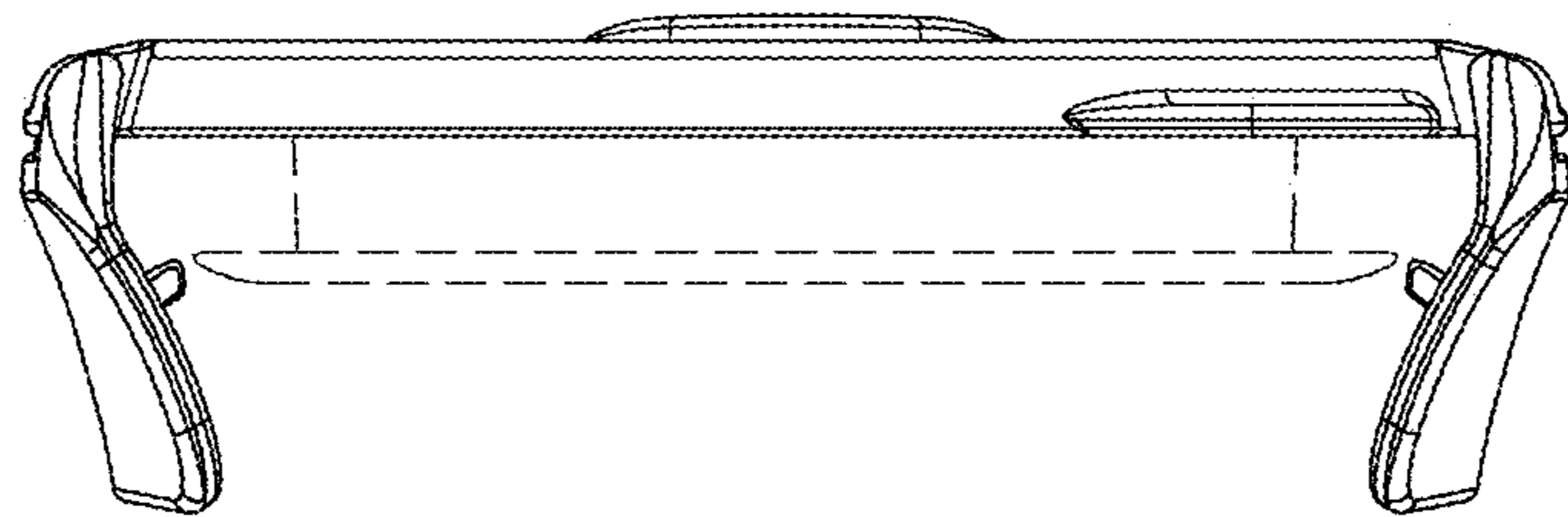


FIG. 8