



US00D920035S

(12) **United States Design Patent** (10) **Patent No.:** **US D920,035 S**  
**Hartley et al.** (45) **Date of Patent:** **\*\* May 25, 2021**

(54) **CONTAINER LID**

(71) Applicant: **The Decor Corporation Pty. Ltd.**,  
Dandenong South (AU)  
(72) Inventors: **Toby Hartley**, Keysborough (AU);  
**George Kotsiopoulos**, Keysborough  
(AU); **Alexander Schoenmakers**,  
Keysborough (AU); **Justin Armistead**,  
Keysborough (AU)  
(73) Assignee: **The Decor Corporation Pty. Ltd.**,  
Dandenong South (AU)

(\*\*) Term: **15 Years**

(21) Appl. No.: **29/700,114**

(22) Filed: **Jul. 31, 2019**

(30) **Foreign Application Priority Data**

Feb. 5, 2019 (AU) ..... 201910607

(51) **LOC (13) Cl.** ..... **07-99**

(52) **U.S. Cl.**  
USPC ..... **D7/392.1**

(58) **Field of Classification Search**  
USPC ..... D24/121, 127, 227; D30/123, 121,  
D30/129-133; D3/201, 272, 294, 318;  
D9/661, 664, 707, 732, 736, 743, 744,  
D9/745, 755, 756, 761, 414, 424, 439,  
D9/434, 435, 436, 451, 455, 456;  
D7/360, 511, 542, 629, 705, 538, 550.1,  
D7/551.1, 601, 602, 354, 387, 388, 391,  
D7/392, 392.1, 396.1, 701, 703, 707, 708,  
D7/756, 761  
CPC ... B65D 1/00; B65D 1/30; B65D 1/34; B65D  
1/36; B65D 2543/00842; B65D 65/466;  
B65D 25/04; B65D 25/00; B65D 41/12;  
B65D 2205/00; B65D 51/1683  
See application file for complete search history.

(56) **References Cited**

U.S. PATENT DOCUMENTS

D106,808 S \* 11/1937 Perlman ..... D7/391  
5,762,228 A \* 6/1998 Morgan ..... B65D 47/0895  
220/367.1  
D416,170 S \* 11/1999 Stucke, Jr. .... D7/392  
D516,376 S \* 3/2006 Kim ..... D7/392.1  
D527,218 S \* 8/2006 Carlson ..... D7/392  
D562,624 S \* 2/2008 Kortleven ..... D7/392.1  
D565,889 S \* 4/2008 Laib ..... D7/392.1  
D590,666 S \* 4/2009 Wang ..... D7/629

(Continued)

OTHER PUBLICATIONS

Decor Delish Oblong Container: Announced Mar. 28, 2020 [online], Site  
Visited [Sep. 20, 2020], Available from Internet URL: <https://www.decor.com.au/product/decor-delish-1-01-oblong/>.\*

(Continued)

*Primary Examiner* — Catherine S Posthauer

(74) *Attorney, Agent, or Firm* — Stevens & Showalter  
LLP

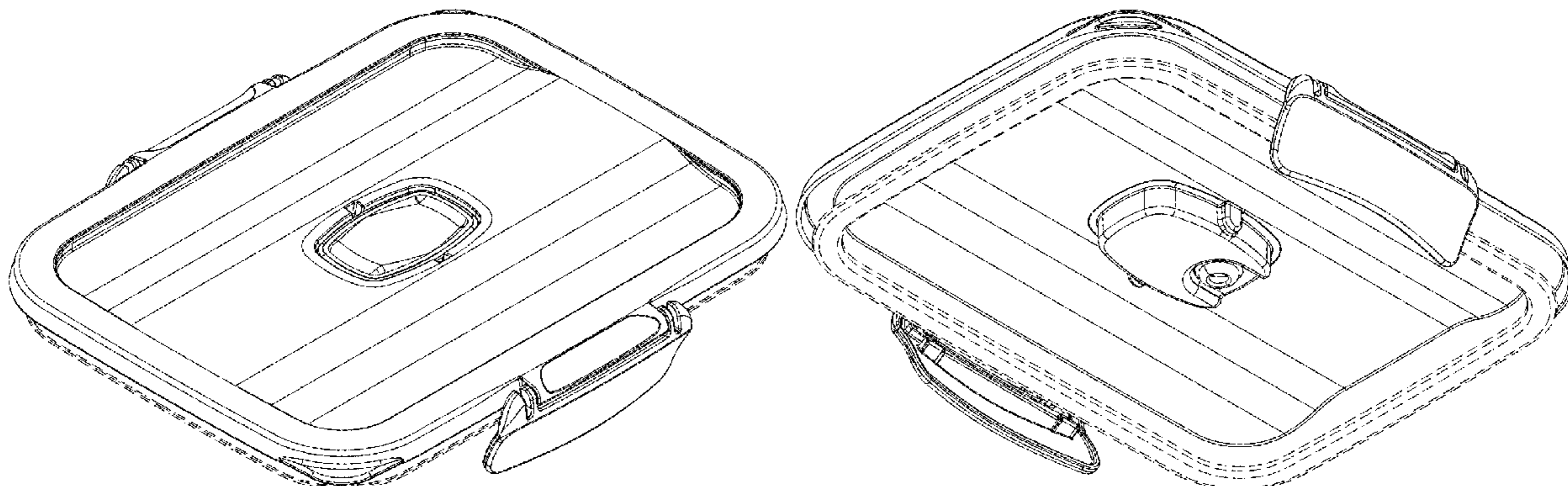
(57) **CLAIM**

The ornamental design for a container lid, as shown and  
described.

**DESCRIPTION**

FIG. 1 is a top front perspective view of a container lid,  
showing our new design;  
FIG. 2 is a bottom rear perspective view thereof;  
FIG. 3 is a top plan view thereof;  
FIG. 4 is a bottom plan view thereof;  
FIG. 5 is a front elevation view thereof;  
FIG. 6 is a rear elevation view thereof;  
FIG. 7 is left side elevation view thereof; and,  
FIG. 8 is a right side elevation view thereof.  
The broken lines shown in the drawings represent unclaimed  
subject matter and form no part of the claimed design.

**1 Claim, 4 Drawing Sheets**



(56)

References Cited

U.S. PATENT DOCUMENTS

D595,085 S \* 6/2009 Carlson ..... D7/392  
 D642,861 S \* 8/2011 Samartgis ..... D7/392.1  
 D660,093 S \* 5/2012 Kyung ..... D7/629  
 D660,094 S \* 5/2012 Kyung ..... D7/629  
 D673,808 S \* 1/2013 Grider ..... D7/391  
 D698,199 S \* 1/2014 Yessin ..... D7/392.1  
 D700,010 S \* 2/2014 Duvigneau ..... D7/391  
 D700,473 S \* 3/2014 Duvigneau ..... D7/391  
 D704,503 S \* 5/2014 Manley ..... D7/391  
 D735,524 S \* 8/2015 Holding ..... D7/392.1  
 D760,035 S \* 6/2016 Kim ..... D7/629  
 D811,160 S \* 2/2018 Evans ..... D7/392.1  
 D821,808 S \* 7/2018 Diner ..... D7/391  
 D828,716 S \* 9/2018 Zhang ..... D7/392.1  
 D828,717 S \* 9/2018 Zhang ..... D7/392.1  
 10,138,020 B2 \* 11/2018 Gosen ..... B65D 21/0204  
 D837,588 S \* 1/2019 Croft ..... D7/391  
 D845,701 S \* 4/2019 Rummel ..... D7/392.1  
 D854,878 S \* 7/2019 Duvigneau ..... D7/391  
 D869,228 S \* 12/2019 Zhang ..... D7/392.1  
 D870,507 S \* 12/2019 Whaley ..... D7/391

D879,549 S \* 3/2020 Zhang ..... D7/391  
 D892,541 S \* 8/2020 Evans ..... D7/392.1  
 2003/0116572 A1 \* 6/2003 Klock ..... B65D 51/1683  
 220/367.1  
 2018/0265263 A1 \* 9/2018 Li ..... B65D 53/02  
 2019/0359396 A1 \* 11/2019 Wolters ..... A47J 47/10  
 2020/0140149 A1 \* 5/2020 Ragias ..... B65D 45/20

OTHER PUBLICATIONS

7 Piece Glass Food Storage Container Set: Announced Nov. 7, 2019 [online]. Site Visited Sep. 21, 2020. Available from Internet URL: [https://www.vonhaus.com/vh\\_en/storage/7pc-glass-storage-container-set](https://www.vonhaus.com/vh_en/storage/7pc-glass-storage-container-set).\*

Deluxe Clips Glass Oblong: Site Visited [Sep. 21, 2020], Available from Internet URL: <https://www.decor.com.au/wp-content/uploads/2020/08/clips-1L-700x620px-700x620.png>.\*

Rubbermaid Food Storage Container: Announced Jan. 2, 2017 [online]. Site Visited [Sep. 21, 2020], Available from Internet URL: <https://www.walmart.com/ip/Rubbermaid-Brilliance-Food-Storage-Containers-10-Piece-Set/54297078>.\*

\* cited by examiner

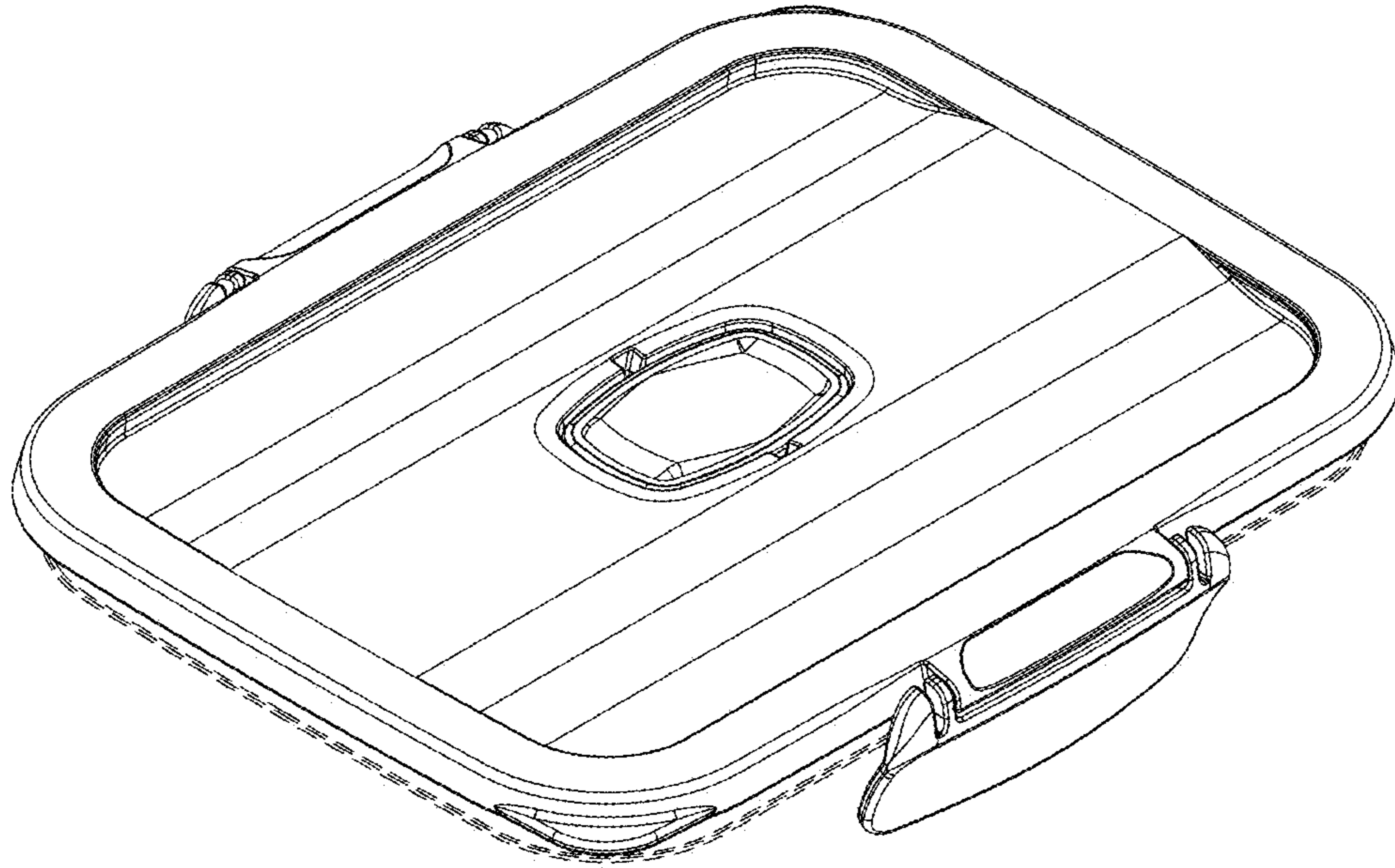


FIG. 1

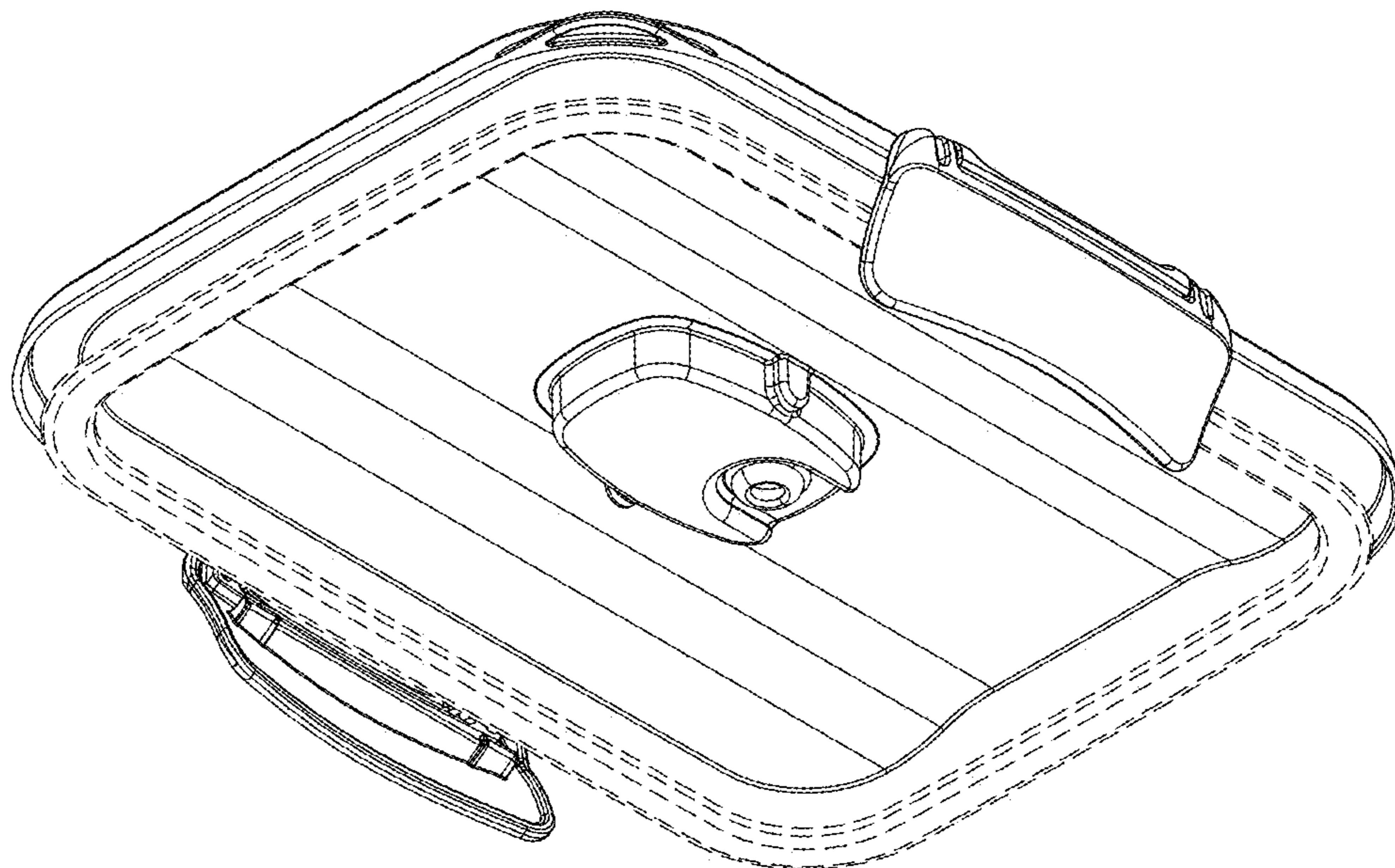


FIG. 2

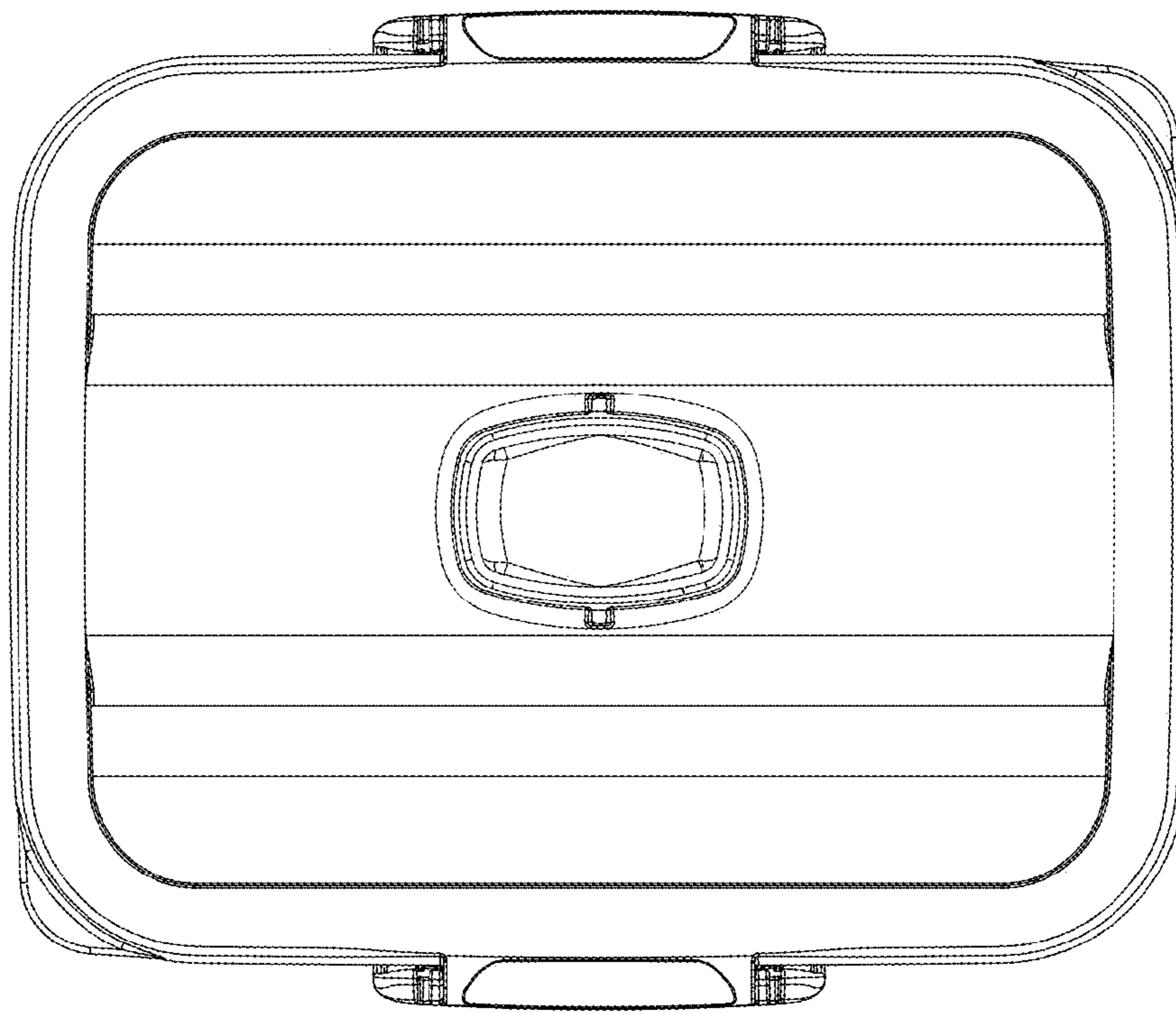


FIG. 3

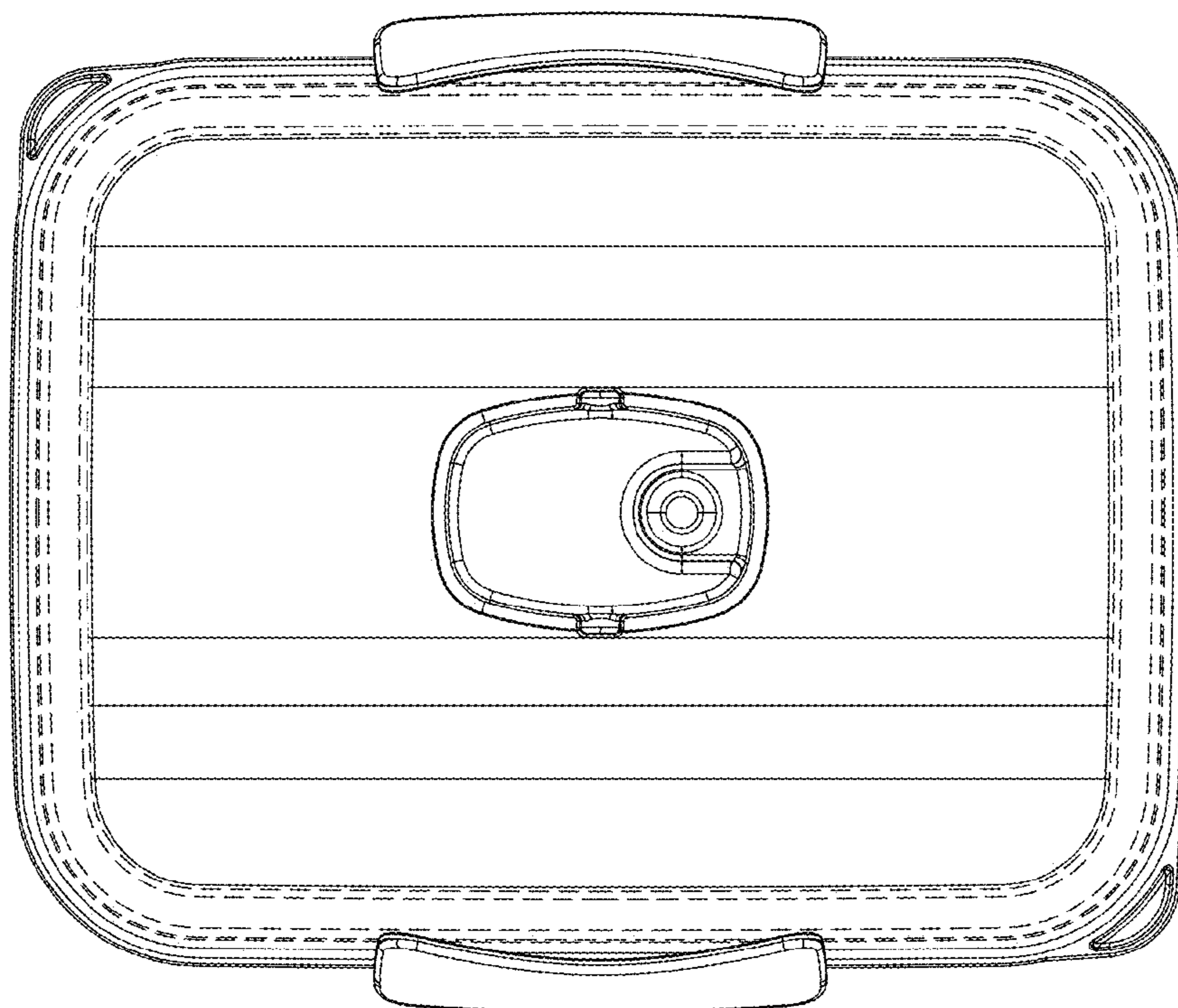


FIG. 4

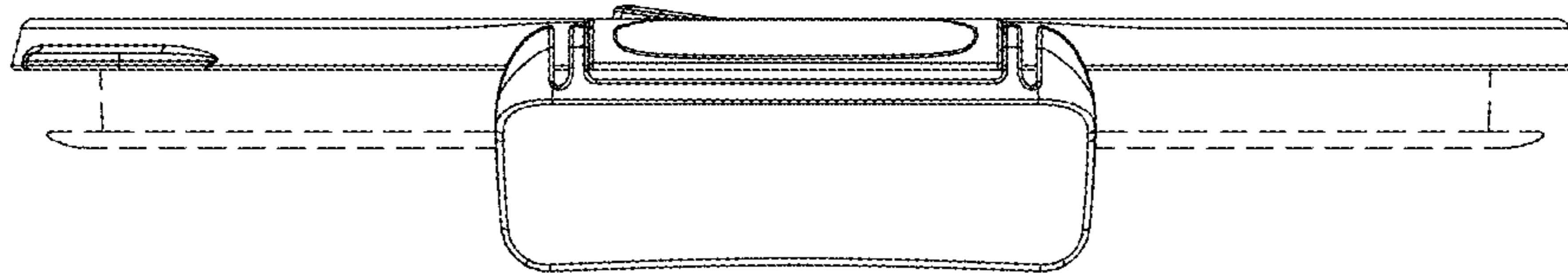


FIG. 5

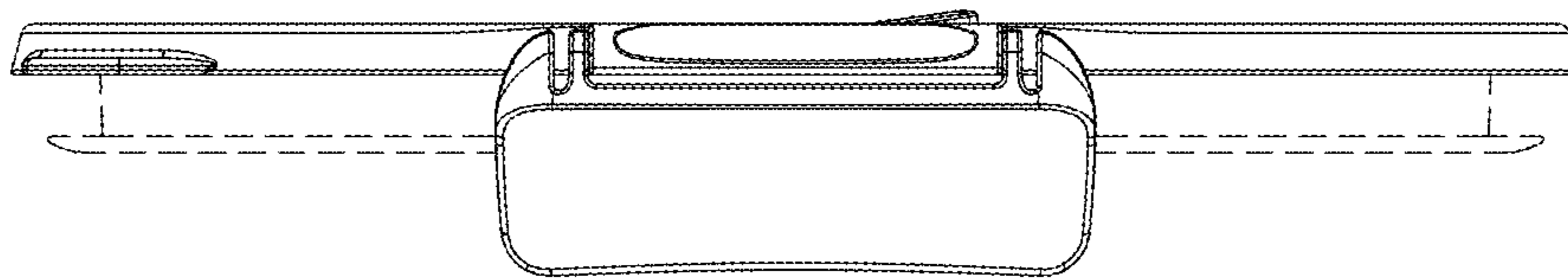


FIG. 6

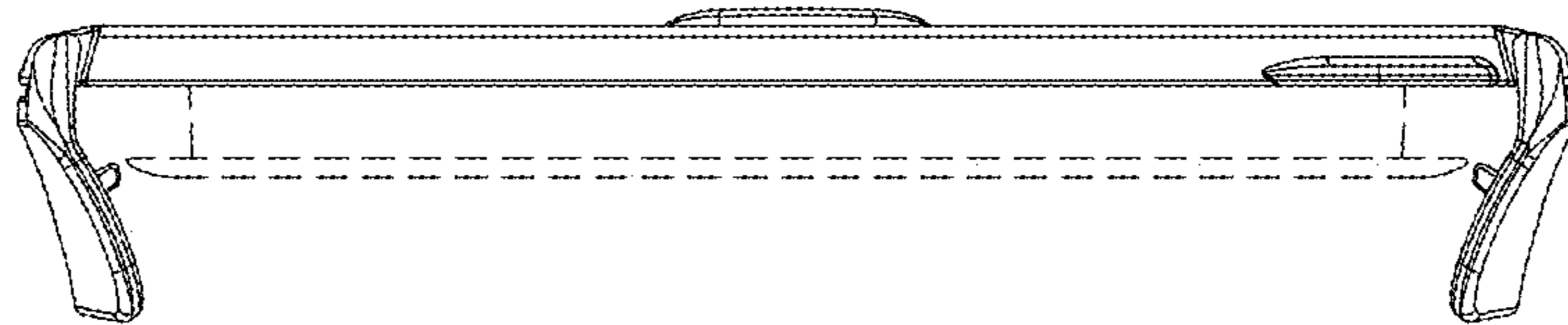


FIG. 7

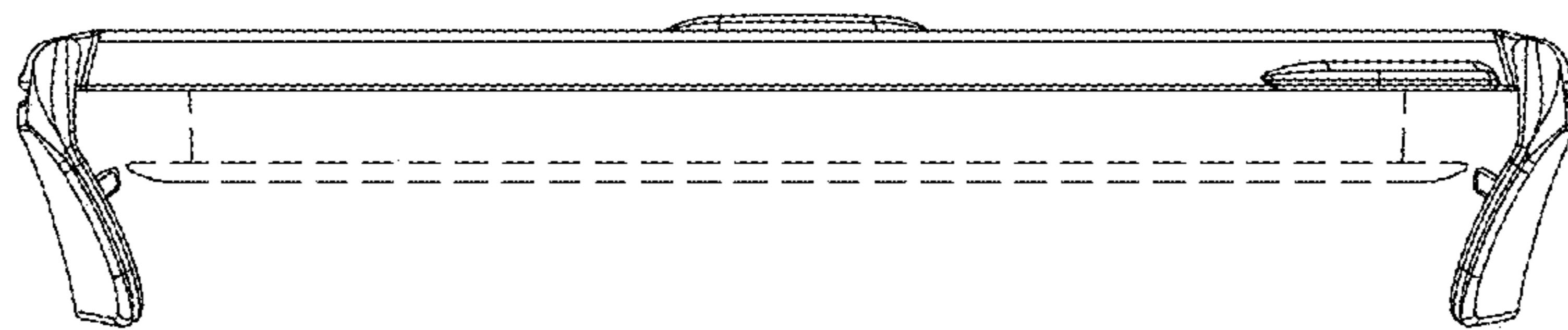


FIG. 8