



US00D920034S

(12) **United States Design Patent** (10) **Patent No.:** **US D920,034 S**  
**Adams, Jr. et al.** (45) **Date of Patent:** **\*\* May 25, 2021**

(54) **BEVERAGE CONTAINER CAP**

(71) Applicant: **Klean Kanteen, Inc.**, Chico, CA (US)  
(72) Inventors: **Richard John Adams, Jr.**, Bozeman, MT (US); **Joshua James Birkle**, Chico, CA (US); **James M. Osgood**, Chico, CA (US)  
(73) Assignee: **KLEAN KANTEEN, INC.**, Chico, CA (US)  
(\*\*) Term: **15 Years**

(21) Appl. No.: **29/694,525**  
(22) Filed: **Jun. 11, 2019**  
(51) **LOC (13) Cl.** ..... **07-01**  
(52) **U.S. Cl.**  
USPC ..... **D7/392.1**  
(58) **Field of Classification Search**  
USPC ..... D7/391, 392, 392.1, 396.1, 396.2, 397, D7/509, 510, 543, 629; D9/435, 443, D9/447, 449, 516  
CPC ..... B65D 47/066; B65D 47/305  
See application file for complete search history.

(56) **References Cited**

**U.S. PATENT DOCUMENTS**

5,873,478	A *	2/1999	Sullivan	.....	A47G 19/2266	215/389
6,237,817	B1 *	5/2001	Son	.....	B65D 25/44	222/527
D636,634	S *	4/2011	Kemper	.....	D7/396.1	
D704,986	S *	5/2014	Manies	.....	D7/392.1	
D811,162	S *	2/2018	Rane	.....	D7/396.2	
D812,966	S *	3/2018	Murosky	.....	D7/392.1	
D814,855	S *	4/2018	Hammer	.....	D7/392.1	
D855,388	S *	8/2019	Potter	.....	D7/392.1	
D870,508	S *	12/2019	Palkon	.....	D7/392.1	
D883,735	S *	5/2020	Adams, Jr.	.....	D7/392.1	
D886,517	S *	6/2020	Bo	.....	D7/392.1	
2010/0193462	A1 *	8/2010	Roth	.....	B65D 81/18	215/229

(Continued)

**OTHER PUBLICATIONS**

“OXO Strive Propel Bottle with Covered Straw”. Found online Jun. 27, 2017 at amazon.com. Reference dated Oct. 30, 2014. Retrieved from [https://www.amazon.com/OXO-Strive-Propel-Bottle-Covered/dp/B00L9YQZYG/ref=sr\\_1\\_1?ie=UTF8&qid=1498578928&sr=8-1&keywords=oxo+twist+top.\\*](https://www.amazon.com/OXO-Strive-Propel-Bottle-Covered/dp/B00L9YQZYG/ref=sr_1_1?ie=UTF8&qid=1498578928&sr=8-1&keywords=oxo+twist+top.*)

(Continued)

*Primary Examiner* — Kendra Leslie Hamilton  
(74) *Attorney, Agent, or Firm* — Alleman Hall Creasman & Tuttle LLP

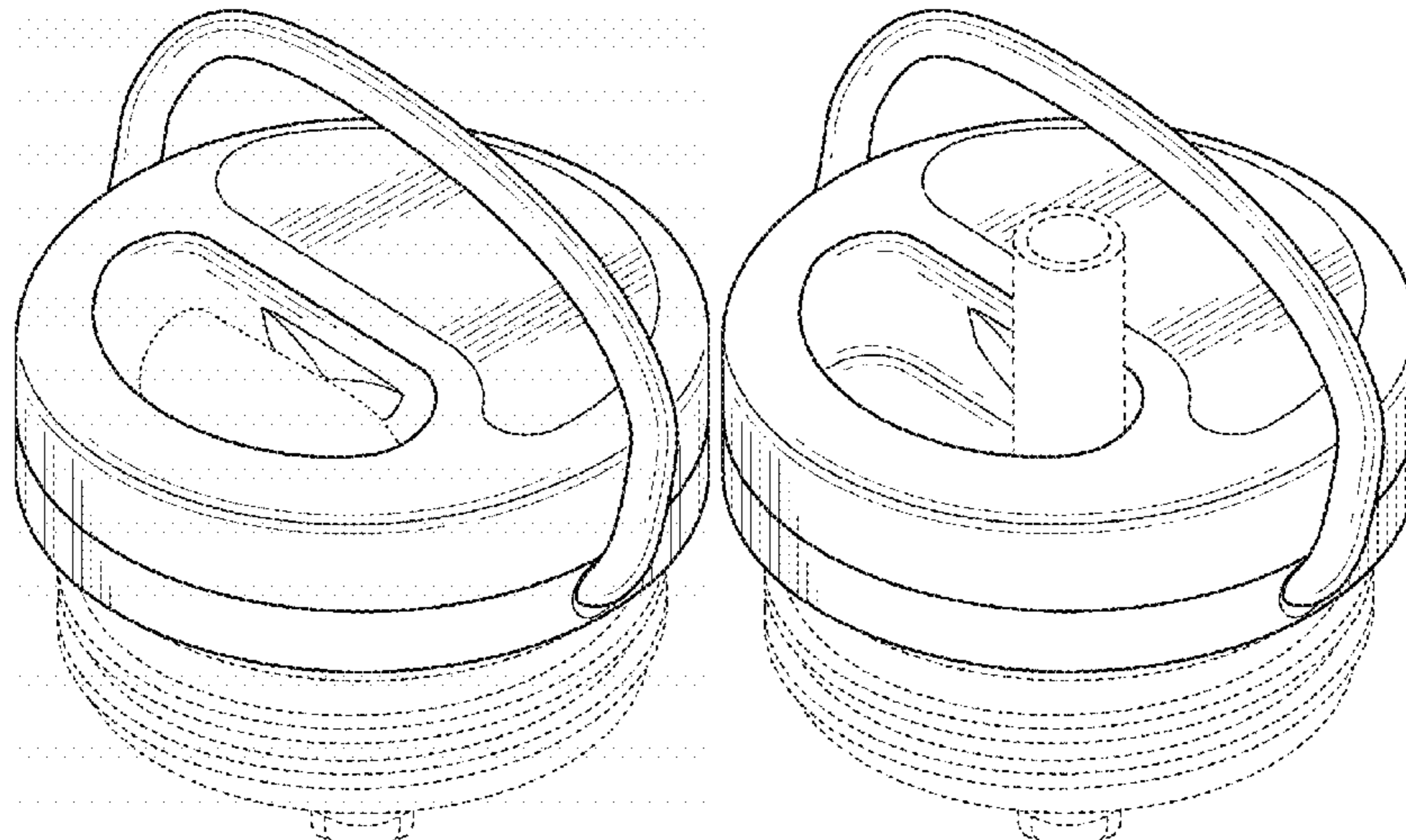
(57) **CLAIM**

The ornamental design for a beverage container cap, as shown and described.

**DESCRIPTION**

FIG. 1 is a top, front perspective view of a beverage container cap, shown in a first configuration for use with the straw stowed within the cap.  
FIG. 2 is a top, front perspective view of the beverage container cap, shown in a second configuration for use with the straw extended from the cap.  
FIG. 3 is a front elevation view of the beverage container cap of FIG. 1.  
FIG. 4 is a rear elevation view thereof.  
FIG. 5 is a left-side elevation view thereof.  
FIG. 6 is a right-side elevation view thereof.  
FIG. 7 is a top plan view thereof; and,  
FIG. 8 is a bottom plan view thereof.  
In the drawings, the broken lines depict portions of the beverage container cap that form no part of the claimed design. In FIG. 6, the broken lines showing a beverage container depict environmental subject matter. The broken lines form no part of the claimed design.

**1 Claim, 4 Drawing Sheets**



(56)

**References Cited**

U.S. PATENT DOCUMENTS

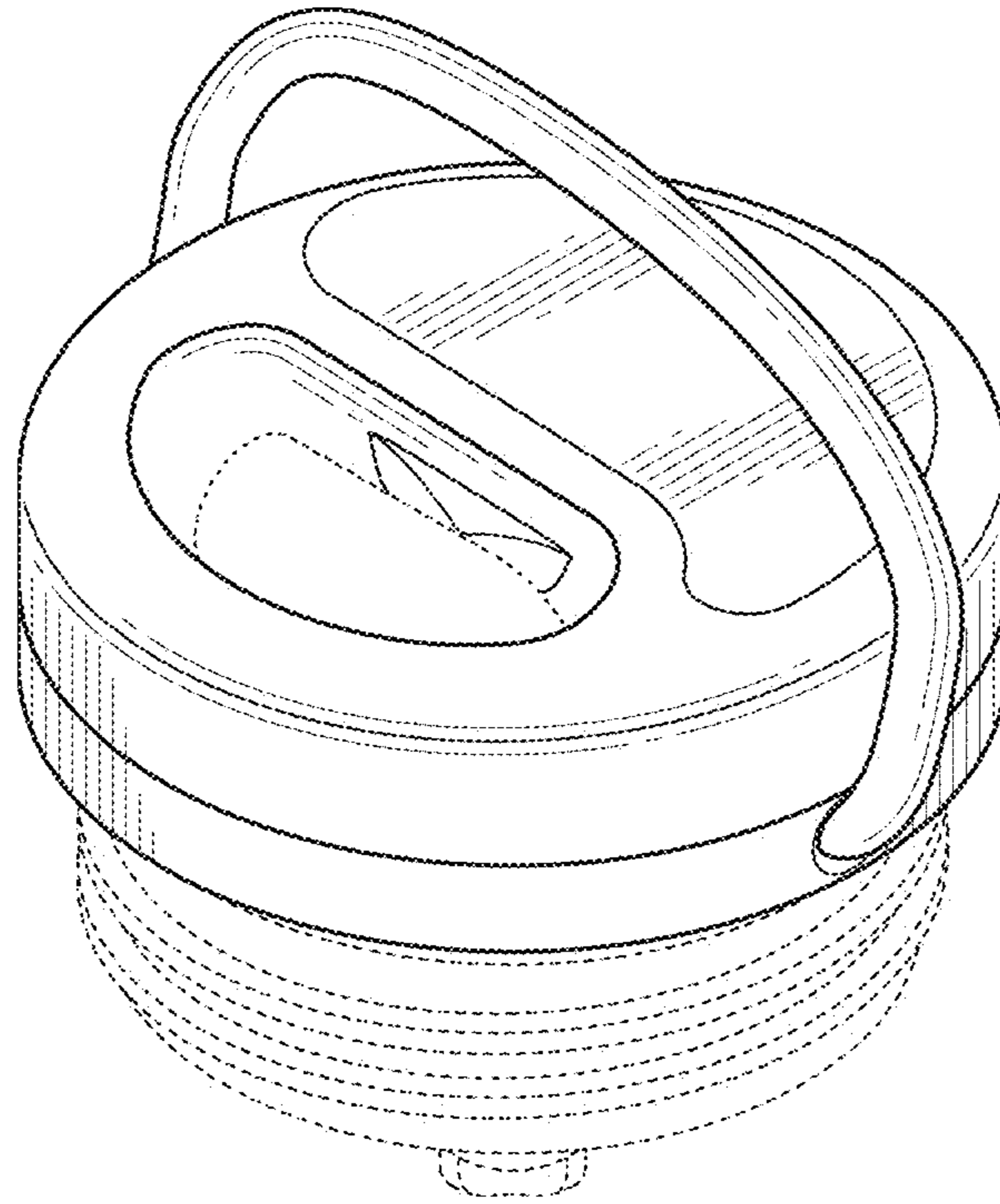
2014/0138395 A1\* 5/2014 Joy ..... A47G 19/2272  
220/715

OTHER PUBLICATIONS

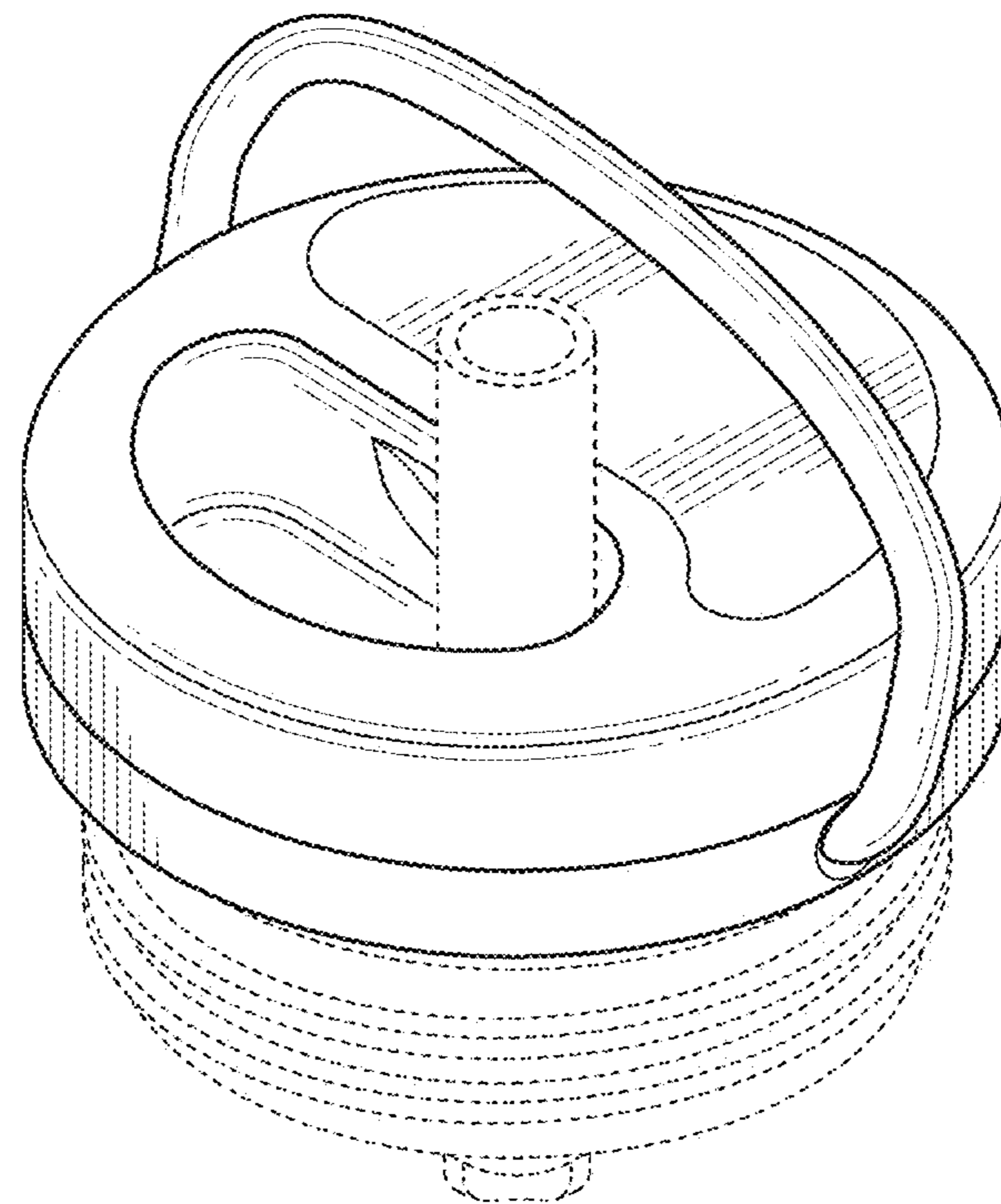
“GoBottle Double-Wall Pick-a-Side Bottle”. Found online Feb. 19, 2020 at amazon.com. Reference dated Dec. 15, 2017. Retrieved from [https://www.amazon.com/GoBottle-40248-Double-System-Bottle/dp/B078G1QWL7/ref=sr\\_1\\_31?keywords=gobottle&qid=1582156178&sr=8-31](https://www.amazon.com/GoBottle-40248-Double-System-Bottle/dp/B078G1QWL7/ref=sr_1_31?keywords=gobottle&qid=1582156178&sr=8-31).\*

“Bubba: Hero Sport Kids Water Bottle with Flip Lid”. Found online Jun. 27, 2017 at amazon.com. Reference dated Nov. 21, 2014. Retrieved from <https://www.amazon.com/...A?psc=1&SubscriptionId=AKIAINJNYNCDYDBGXQVA&tag=bab0284-20&linkCode=xm2&camp=2025&creative=165953&creativeASIN=B00XMH7MEA>.\*

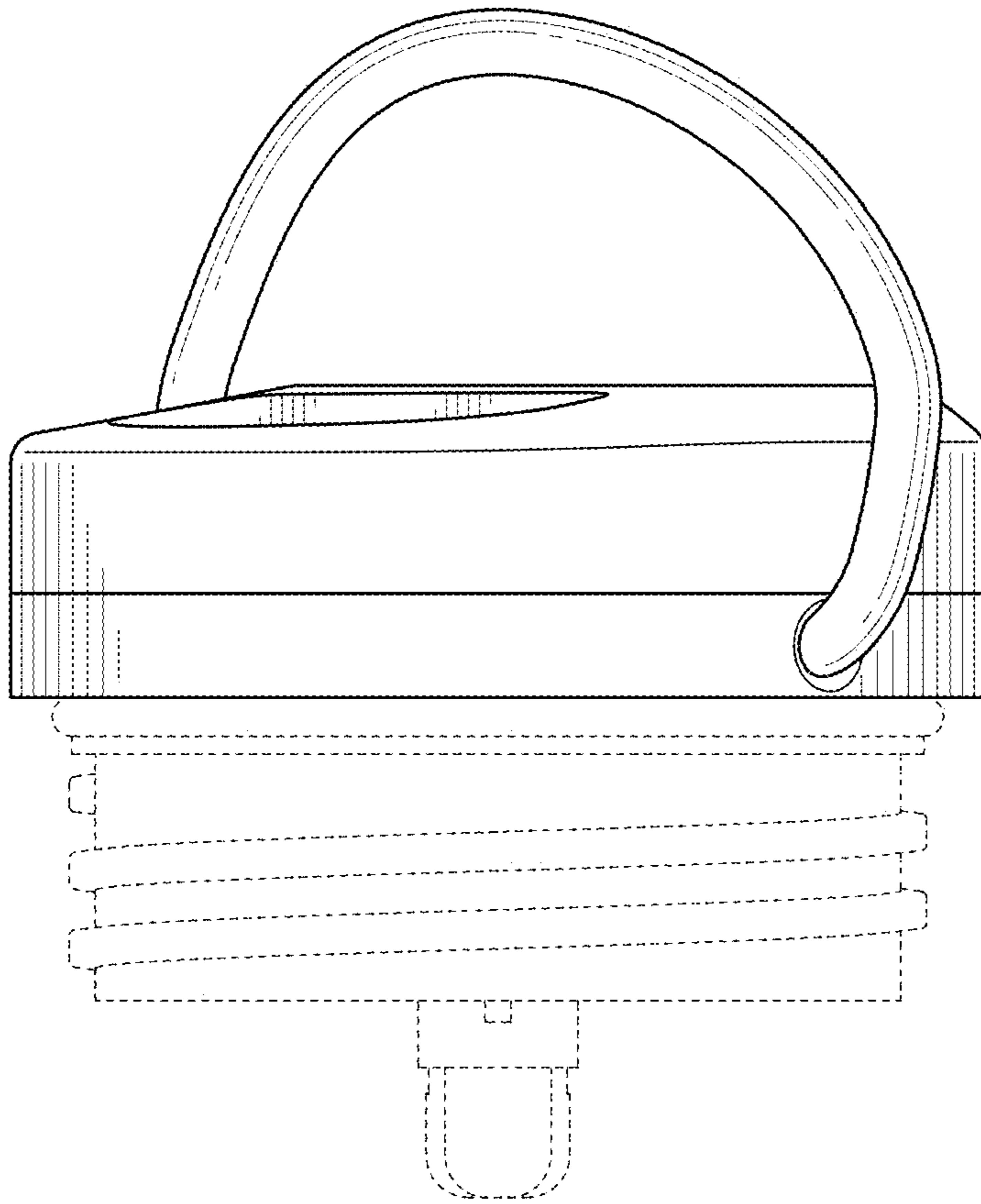
\* cited by examiner



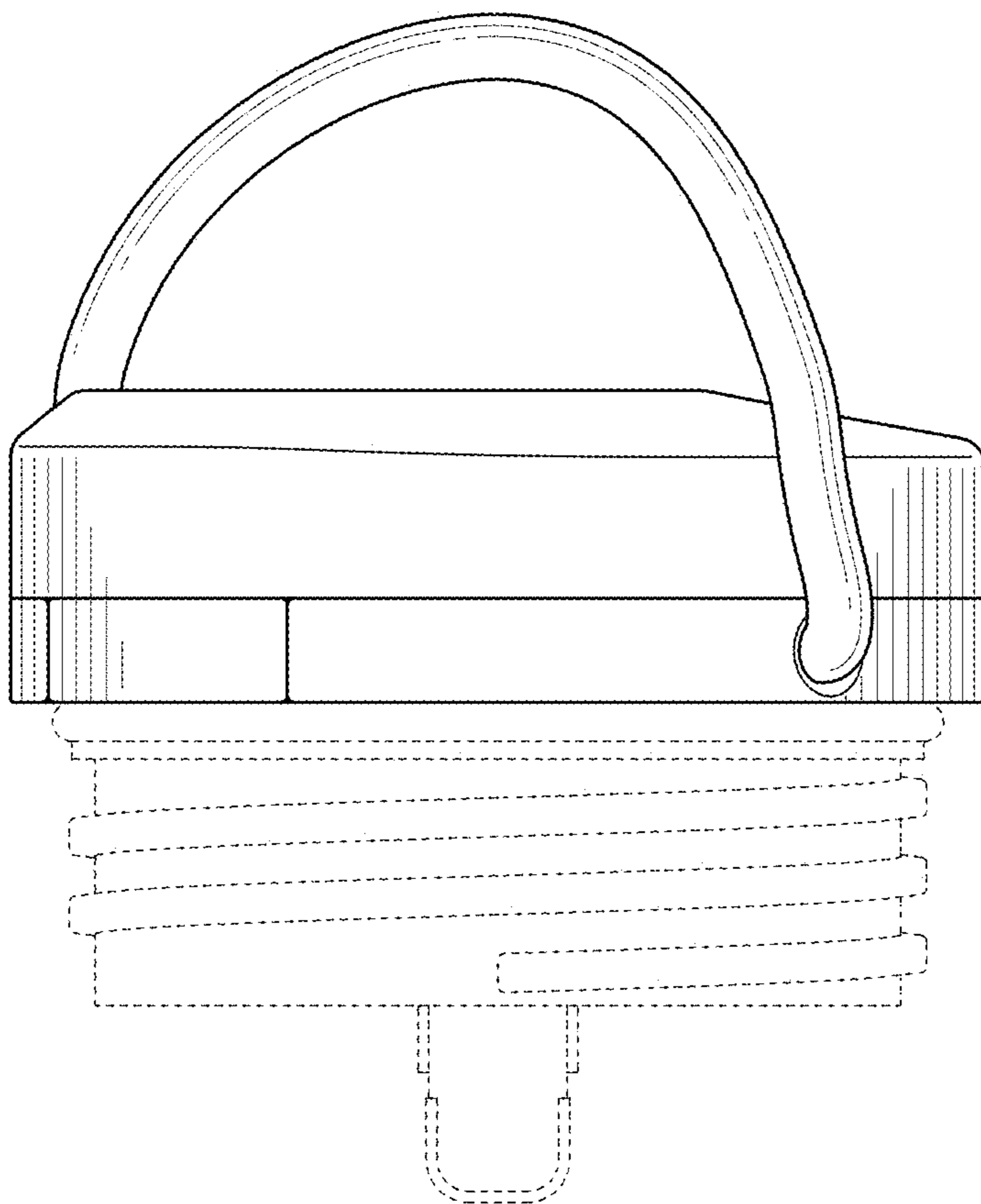
**FIG. 1**



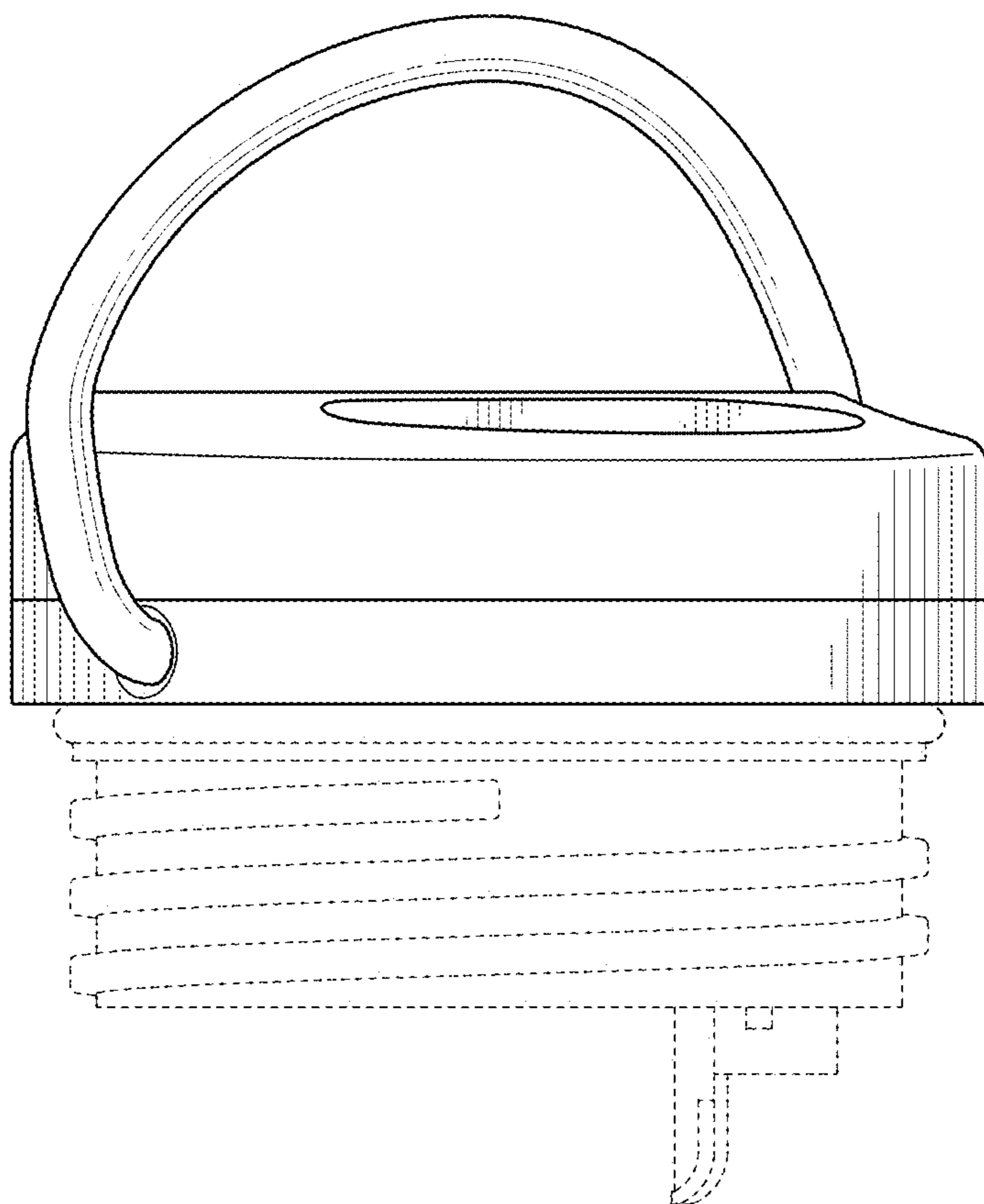
**FIG. 2**



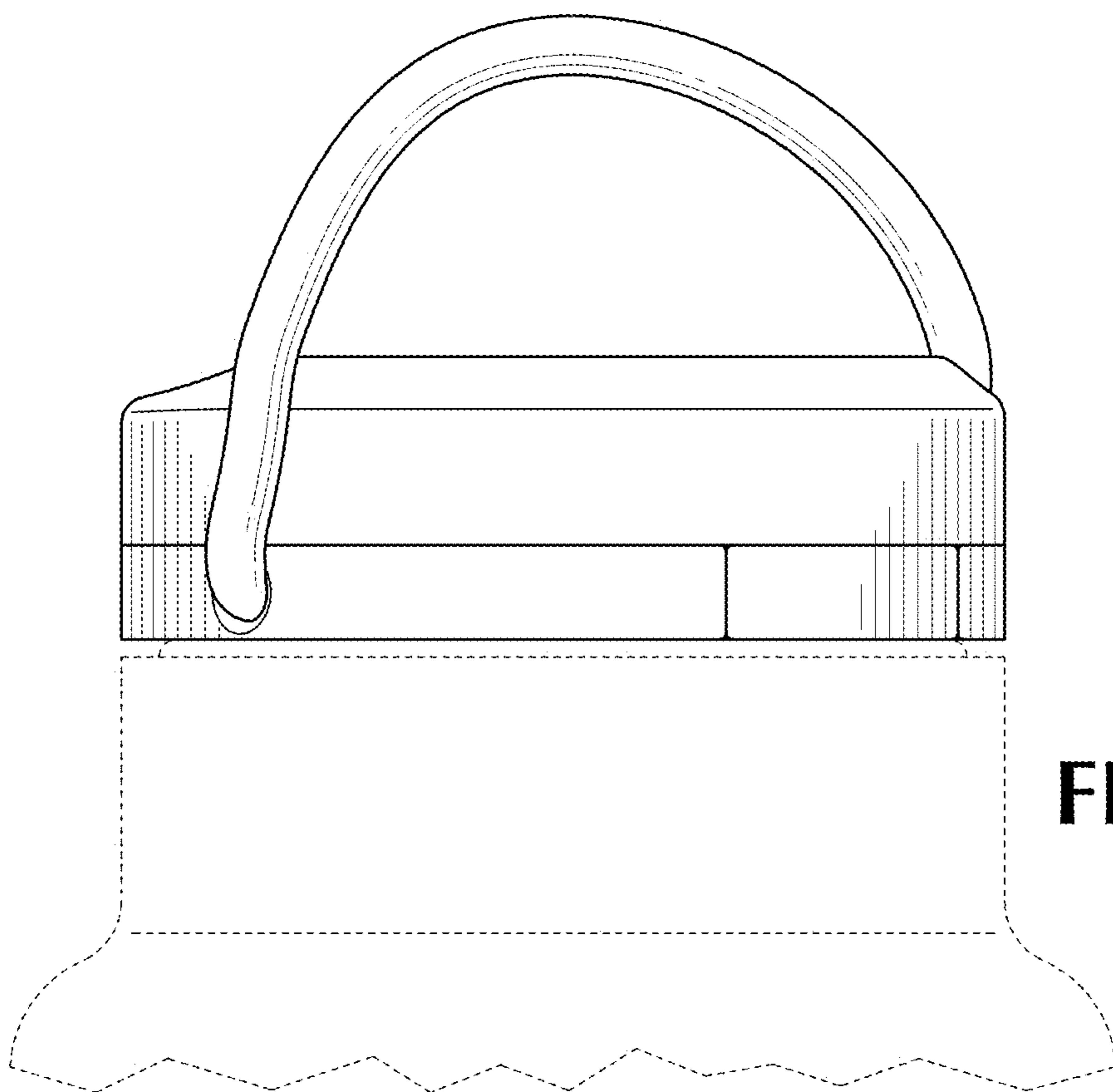
**FIG. 3**



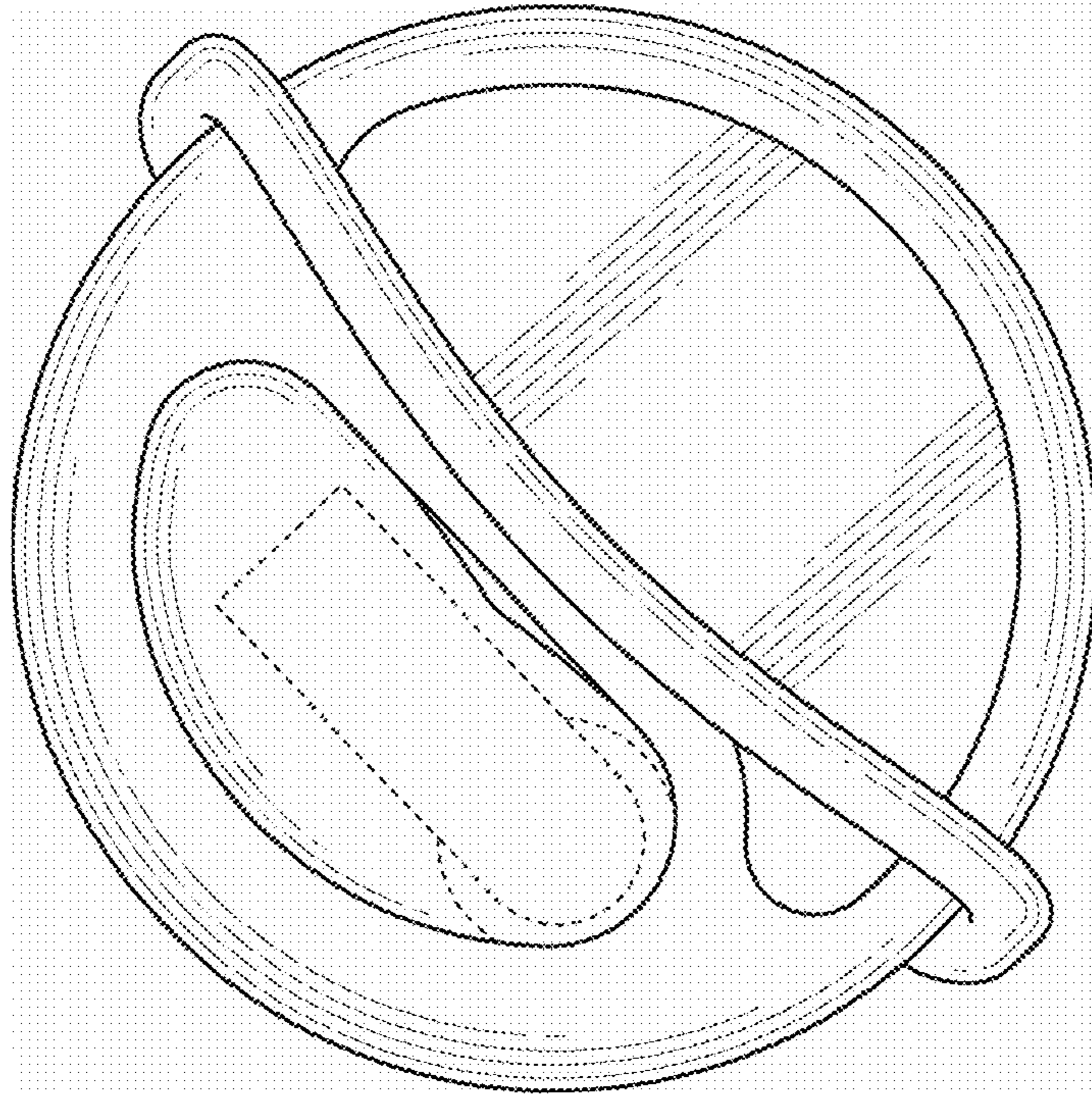
**FIG. 4**



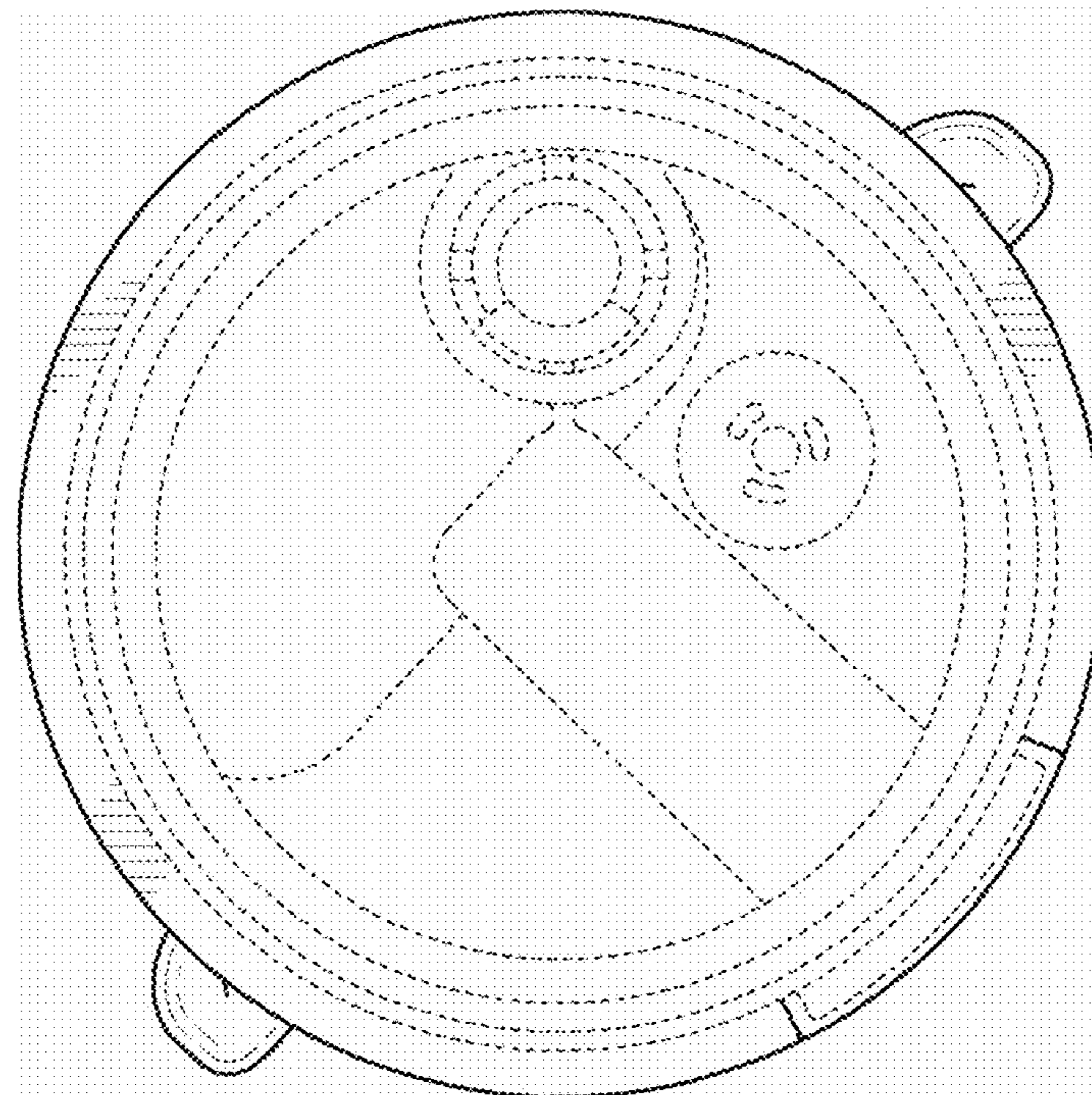
**FIG. 5**



**FIG. 6**



**FIG. 7**



**FIG. 8**