



US00D920032S

(12) **United States Design Patent**
McConnell et al.

(10) **Patent No.:** **US D920,032 S**

(45) **Date of Patent:** **** May 25, 2021**

(54) **FOOD PROCESSOR**

(71) Applicant: **WHIRLPOOL CORPORATION**,
Benton Harbor, MI (US)

(72) Inventors: **John W. McConnell**, St. Joseph, MI
(US); **Yifan Wang**, St. Joseph, MI
(US); **Wenkai Wu**, Aurora, IL (US)

(73) Assignee: **Whirlpool Corporation**, Benton
Harbor, MI (US)

(**) Term: **15 Years**

(21) Appl. No.: **29/682,098**

(22) Filed: **Mar. 1, 2019**

(51) **LOC (13) Cl.** **31-00**

(52) **U.S. Cl.**
USPC **D7/378**

(58) **Field of Classification Search**
USPC D7/306, 309, 372, 374, 376, 377, 378,
D7/379, 380, 381, 383, 384, 385, 386,
D7/412, 413, 598, 694, 669, 679
CPC .. A47J 43/04; A47J 43/25; A47J 43/27; A47J
43/042; A47J 43/044; A47J 43/046; A47J
43/075; A47J 43/0722; A47J 43/0727;
A47J 42/40; A21C 1/02; A21C 1/04;
A23G 9/045; A23N 1/00; A23N 1/02;
B01F 3/00; B01F 3/0807; B01F 3/0853;
B01F 13/0059; B01F 13/0064; B02C
1/08; B02C 2/04; B02C 4/42; B02C
4/142; B02C 4/143; B02C 4/423; B02C
13/1835; B28C 5/10; B28C 5/12; B28C
5/14; B28C 5/16

See application file for complete search history.

(56) **References Cited**

U.S. PATENT DOCUMENTS

D287,327 S 12/1986 Cavalli
D290,677 S 7/1987 Stutzer et al.
D294,328 S 2/1988 Uesaka

D309,082 S * 7/1990 Hattle D7/384
D310,153 S 8/1990 Kaiser
D341,064 S * 11/1993 Husted D7/679
(Continued)

FOREIGN PATENT DOCUMENTS

EP 570758 A1 * 5/1993
JP 2001062777 A * 3/2001
(Continued)

OTHER PUBLICATIONS

KitchenAid® Matte Grey Cordless 5-Cup Mini Food Processor,
announced © 2020 [online], retrieved Jul. 17, 2020, retrieved from
internet, <https://www.crateandbarrel.com/kitchenaid-matte-grey-cordless-5-cup-mini-food-processor/s656271>.*

(Continued)

Primary Examiner — Dana K Weiland
Assistant Examiner — Messina L Smith

(74) *Attorney, Agent, or Firm* — Price Heneveld LLP

(57) **CLAIM**

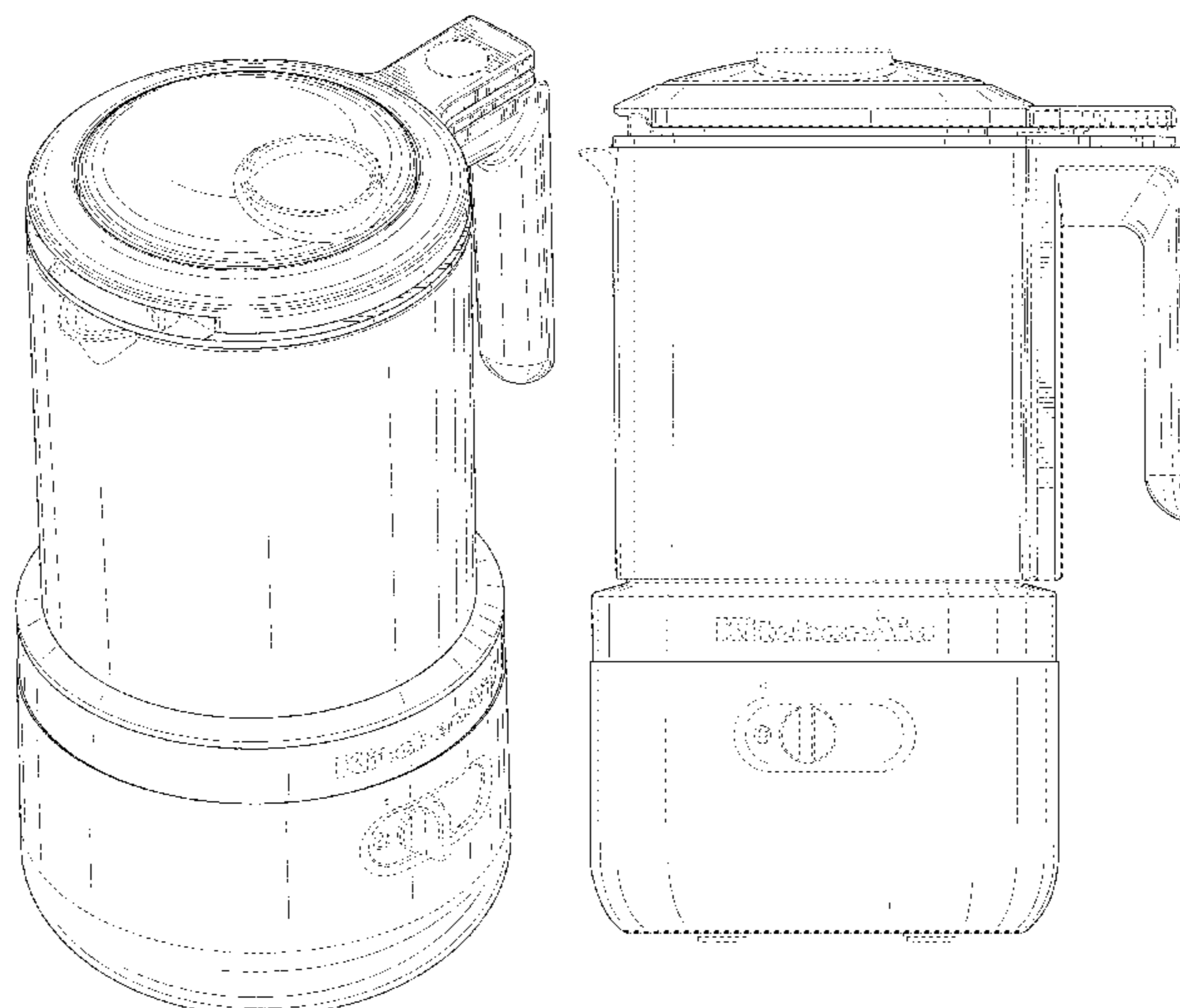
The ornamental design for a food processor, as shown and described.

DESCRIPTION

FIG. 1 is a perspective view of a food processor according to the new design;
FIG. 2 is a left side elevation view thereof;
FIG. 3 is a right side elevation view thereof;
FIG. 4 is a back elevation view thereof;
FIG. 5 is a front elevation view thereof;
FIG. 6 is a top plan view thereof; and,
FIG. 7 is a bottom plan view thereof.

The portions of the food processor shown in broken line form no part of the claimed design. Dash-dot lines adjacent to unshaded areas represent the bounds of the claimed design and form no part of the claimed design themselves.

1 Claim, 7 Drawing Sheets



(56)

References Cited

U.S. PATENT DOCUMENTS

D345,078 S 3/1994 Gotzsch
 D406,154 S 2/1999 Copland et al.
 D419,367 S 1/2000 Kin
 D421,871 S * 3/2000 Klosinski D7/309
 D426,423 S 6/2000 Lee
 D444,668 S * 7/2001 Leung D7/372
 6,418,837 B1 7/2002 Obersteiner
 D466,363 S 12/2002 Dalton et al.
 D488,344 S 4/2004 Seum et al.
 D502,047 S 2/2005 Ledingham et al.
 D502,842 S 3/2005 Hallar
 6,971,597 B2 12/2005 Starr
 7,028,930 B2 4/2006 Carnevale
 7,159,808 B2 1/2007 Starr
 D547,601 S 7/2007 Ting et al.
 D560,093 S 1/2008 Verdun
 D578,341 S 10/2008 Picozza et al.
 D580,216 S 11/2008 Ryan
 D587,064 S 2/2009 Mark
 7,562,838 B2 7/2009 Leung et al.
 D621,206 S 8/2010 Matta et al.
 D625,142 S 10/2010 Moore
 D625,144 S 10/2010 Moore et al.
 D629,643 S 12/2010 Bower
 D630,467 S 1/2011 Harrod
 D634,155 S 3/2011 Duncan et al.
 D637,870 S 5/2011 Bock
 D644,478 S 9/2011 Czach
 D644,480 S 9/2011 Czach et al.
 8,051,769 B2 11/2011 Conti et al.
 D667,683 S 9/2012 Czach et al.
 D683,180 S 5/2013 Carlson
 D702,993 S 4/2014 Lownds
 8,733,239 B2 5/2014 Allen
 D711,682 S 8/2014 Norland et al.
 D719,779 S 12/2014 Vu et al.
 D725,432 S 3/2015 Gao
 9,084,508 B2 7/2015 Sandford et al.

D739,679 S 9/2015 Benoit et al.
 D758,126 S 6/2016 Benoit et al.
 9,427,111 B2 8/2016 Gen et al.
 D767,327 S 9/2016 McConnell et al.
 D772,010 S 11/2016 Dutruel
 D793,152 S 8/2017 Gushwa et al.
 D801,105 S 10/2017 Sandberg
 D812,416 S 3/2018 Carlson
 D859,076 S * 9/2019 Lee D7/413
 D876,148 S * 2/2020 Jing D7/318
 D881,637 S * 4/2020 Ye D7/384
 D882,331 S * 4/2020 Miller D7/378
 2005/0194484 A1 * 9/2005 Starr A47J 43/0727
 2007/0095959 A1 * 5/2007 Narai A47J 43/255
 2007/0209528 A1 * 9/2007 Chang A47J 19/027
 2011/0139017 A1 6/2011 Beber et al.
 2017/0311760 A1 * 11/2017 Gushwa B26D 3/185
 2019/0075971 A1 * 3/2019 Noca A47J 36/16

FOREIGN PATENT DOCUMENTS

JP 2008149104 A * 7/2008
 WO 2012113107 A1 8/2012

OTHER PUBLICATIONS

Cordless 5 Cup Food Chopper, announced Mar. 2020 [online],
 retrieved Jul. 17, 2020, retrieved from internet, <https://www.kitchenaid.com/countertop-appliances/food-processors/choppers/p.cordless-5-cup-food-chopper.kfcb519bm.html>.
 KitchenAid Cuts the Cord on Its Latest Line of Appliances, announced Mar. 17, 2020 [online], retrieved Jul. 17, 2020, retrieved from internet, <https://www.chowhound.com/food-news/258820/kitchenaid-first-ever-cordless-line-of-appliances/>.

* cited by examiner

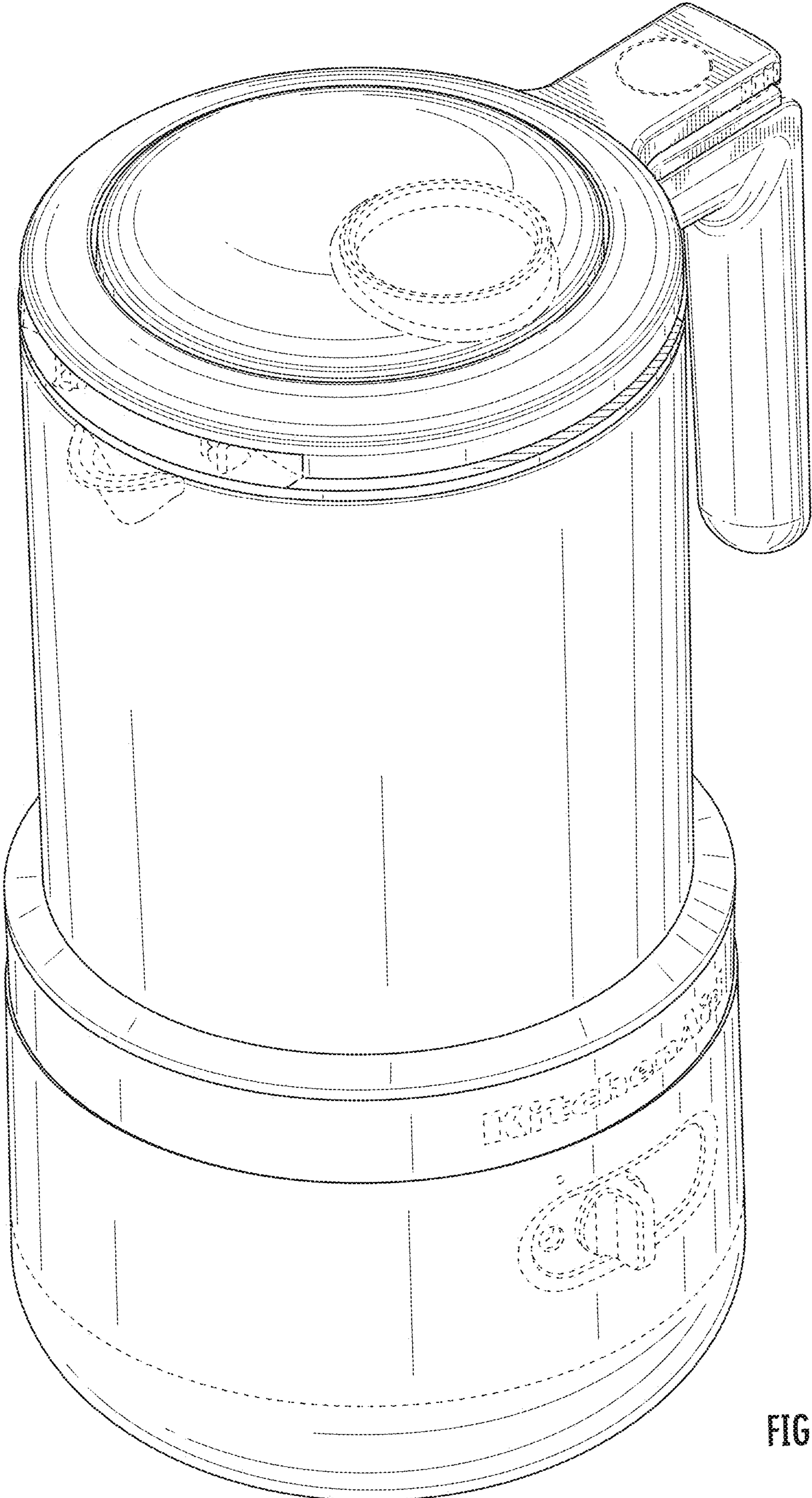


FIG. 1

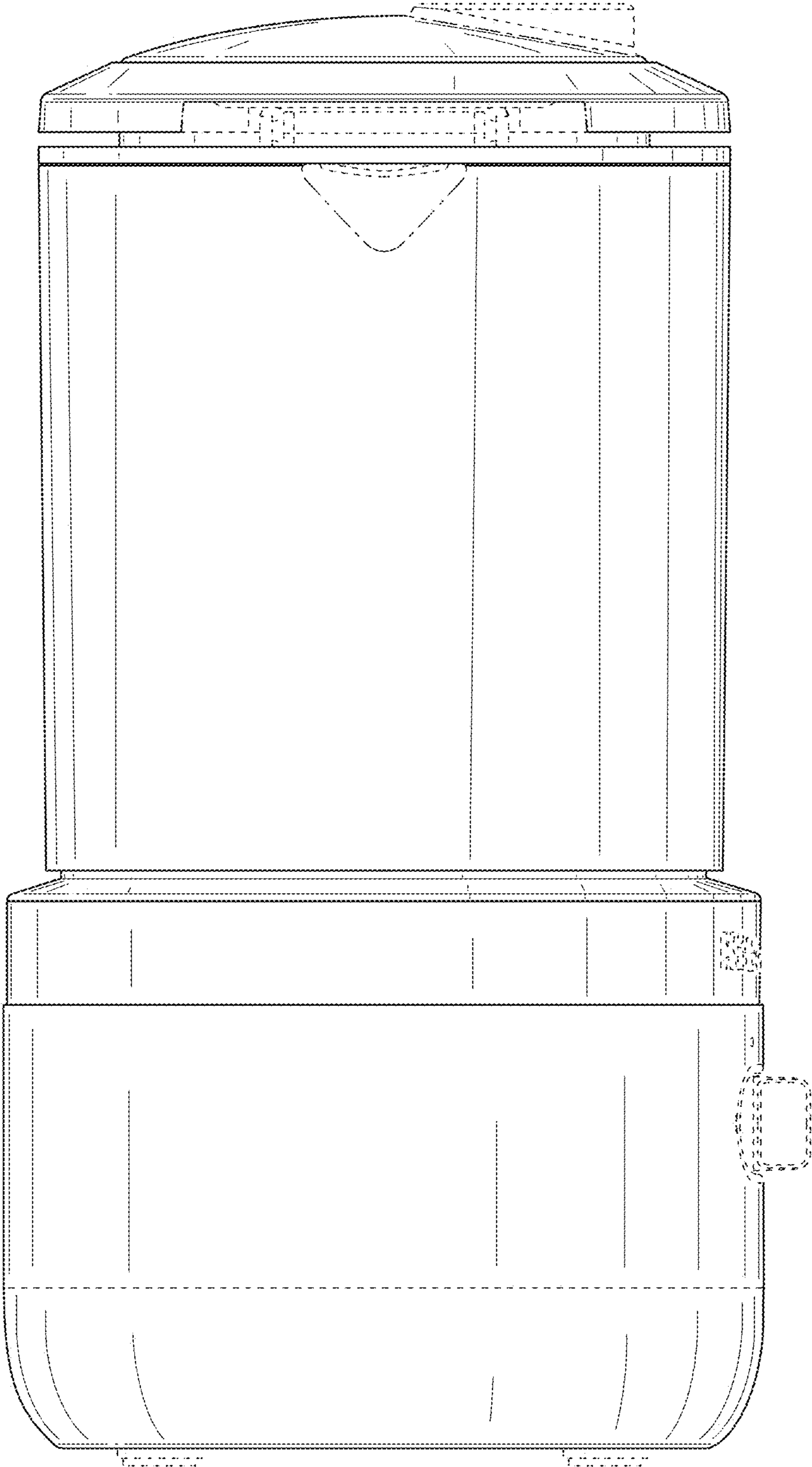


FIG. 2

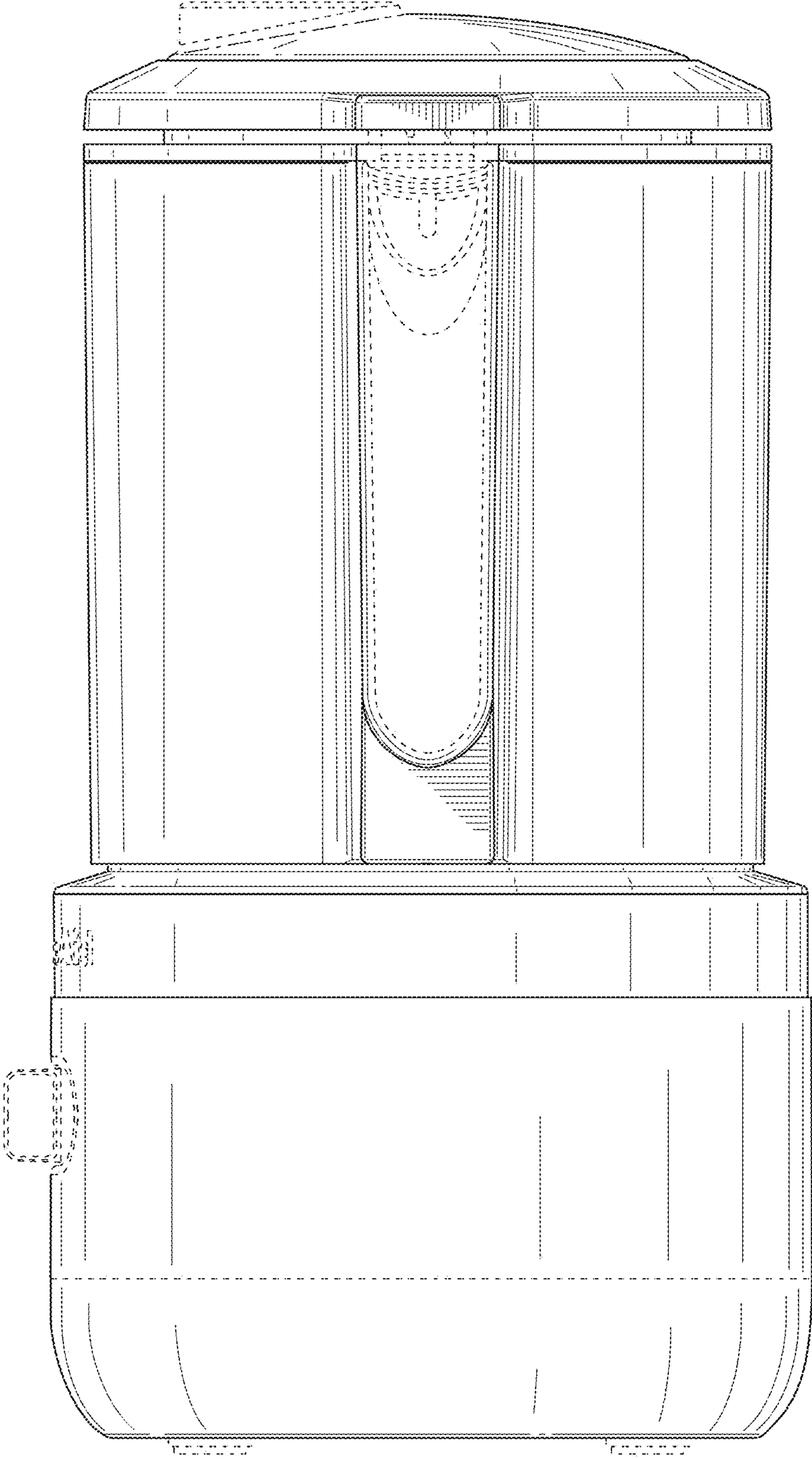


FIG. 3

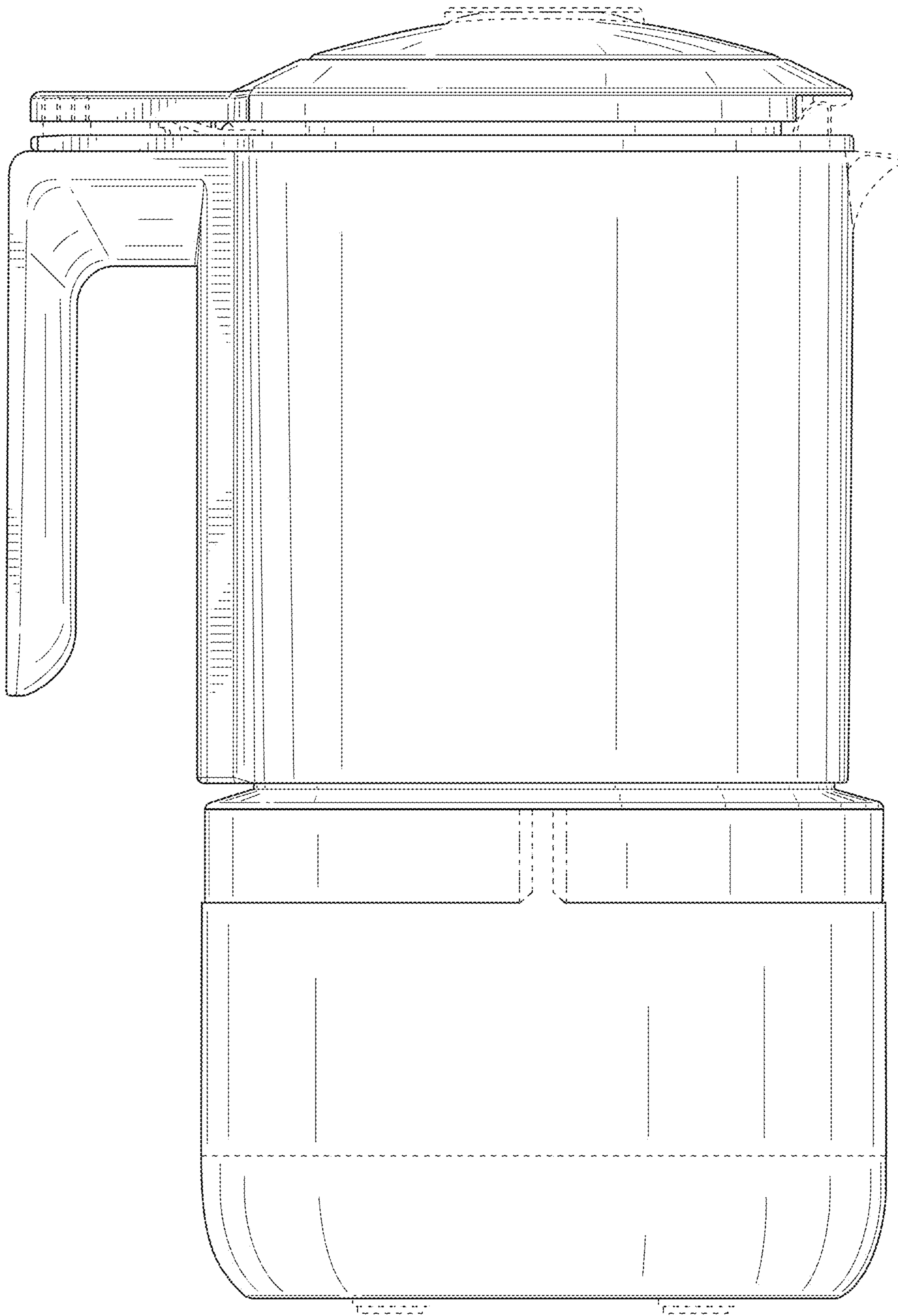


FIG. 4

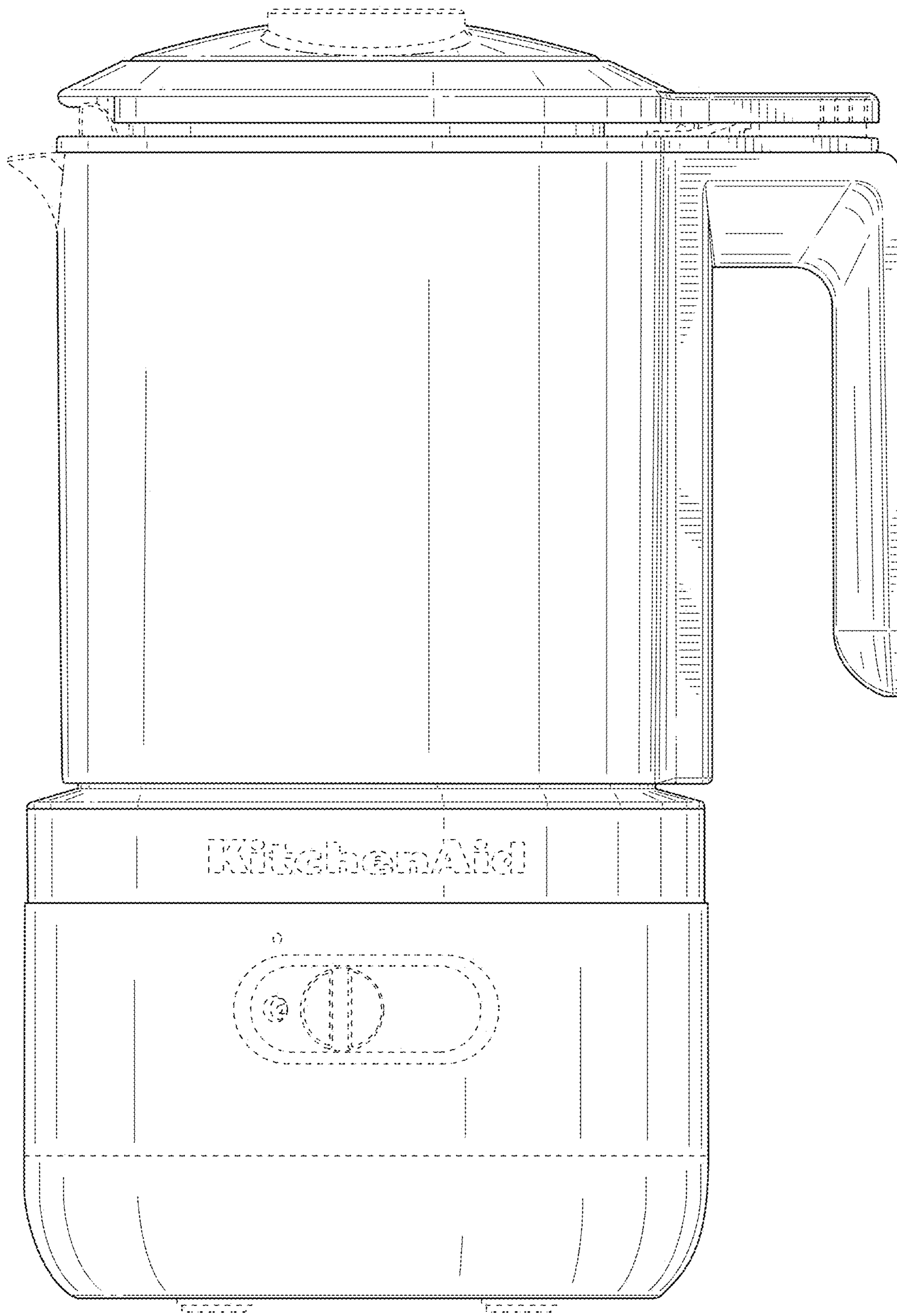


FIG. 5

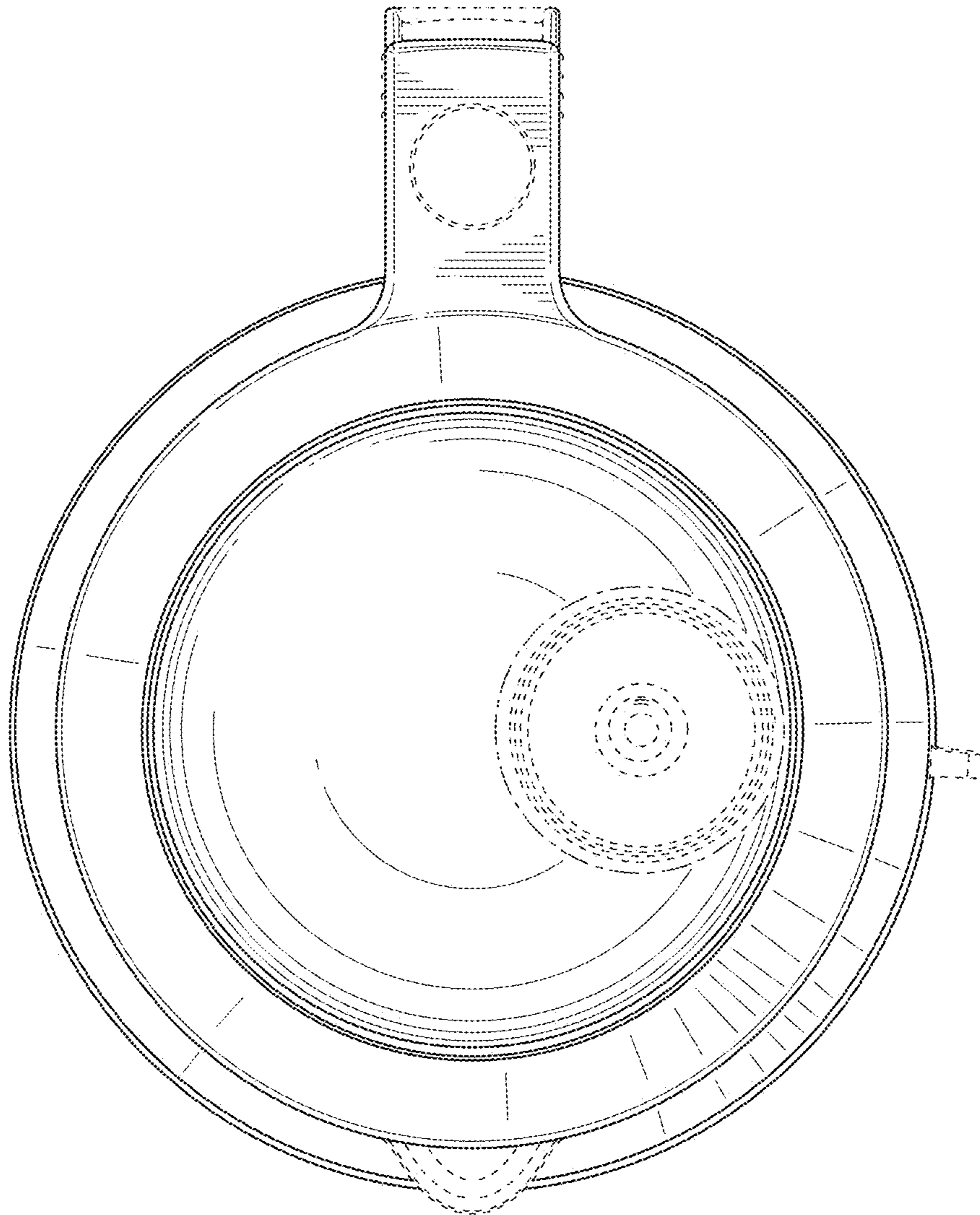


FIG. 6

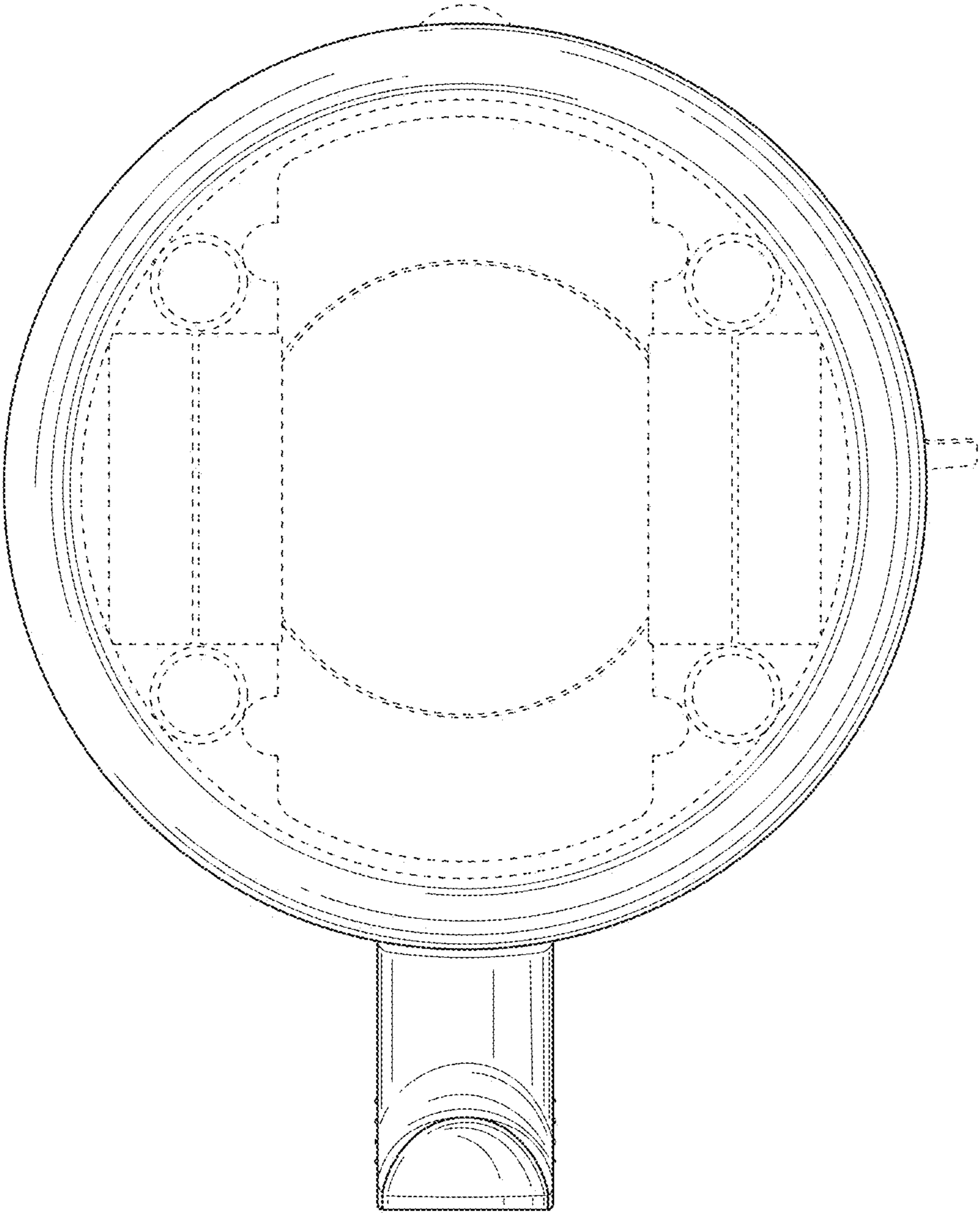


FIG. 7